

US00D976697S

(12) **United States Design Patent** (10) **Patent No.:** **US D976,697 S**
Laine (45) **Date of Patent:** **** Jan. 31, 2023**

(54) **PACKAGING BOX**

(71) Applicant: **Orion Corporation**, Espoo (FI)

(72) Inventor: **Joel Laine**, Helsinki (FI)

(73) Assignee: **Orion Corporation**, Espoo (FI)

(**) Term: **15 Years**

(21) Appl. No.: **29/738,400**

(22) Filed: **Jun. 17, 2020**

(30) **Foreign Application Priority Data**

Dec. 18, 2019 (EM) 007427232

(51) **LOC (14) Cl.** **09-03**

(52) **U.S. Cl.**
USPC **D9/432; D9/433**

(58) **Field of Classification Search**
USPC D9/414–433, 499, 456; D3/201, 205,
D3/202, 212, 217, 203.1, 203.2, 203.3,
D3/203.5, 203.6, 203.7, 203.8, 204,
D3/206–210, 272, 273
CPC B65D 5/50; B65D 81/113; B65D 5/54
See application file for complete search history.

(56) **References Cited**

U.S. PATENT DOCUMENTS

- 4,158,410 A * 6/1979 Novatny B65D 5/50
206/451
- D381,578 S * 7/1997 Kuo D9/415
- D396,187 S * 7/1998 Harrison D9/415
- D429,639 S * 8/2000 Dikowitz D9/415
- D433,630 S * 11/2000 Lubineau-Bigot D9/416
- D437,626 S * 2/2001 Chang 206/45.24
- D455,958 S * 4/2002 Burrus D9/433
- D595,012 S * 6/2009 Meier D27/101
- D600,110 S * 9/2009 Cain D9/418
- D607,724 S * 1/2010 Dreier D9/430
- D625,179 S * 10/2010 Gibson D9/423

- D633,786 S * 3/2011 Gibson D9/423
- D657,239 S * 4/2012 Gavrilencov D9/432
- D687,295 S * 8/2013 Park D9/420
- D693,212 S * 11/2013 Lee D9/415
- D702,546 S * 4/2014 McAdam D9/418
- D708,514 S * 7/2014 Kiamilev D9/432
- D769,115 S * 10/2016 Shimizu D9/432
- D787,324 S * 5/2017 Sotka D9/433
- D796,954 S * 9/2017 Lun D9/456
- D804,944 S * 12/2017 Shimizu D9/434
- D805,386 S * 12/2017 Shimizu D9/434
- D812,471 S * 3/2018 Shimizu D9/434
- D821,870 S * 7/2018 Fly D9/432

(Continued)

OTHER PUBLICATIONS

Youtube. Healthcare Pharmaceuticals Orion. Posted by Georg Hauptfeld on Sep. 15, 2016. Visited Dec. 27, 2021. <https://www.youtube.com/watch?v=Y4KQbwgxmcl> (Year: 2016).*

(Continued)

Primary Examiner — Steven J Czyz
Assistant Examiner — Vanessa M. Pursley
(74) *Attorney, Agent, or Firm* — The Ollila Law Group LLC

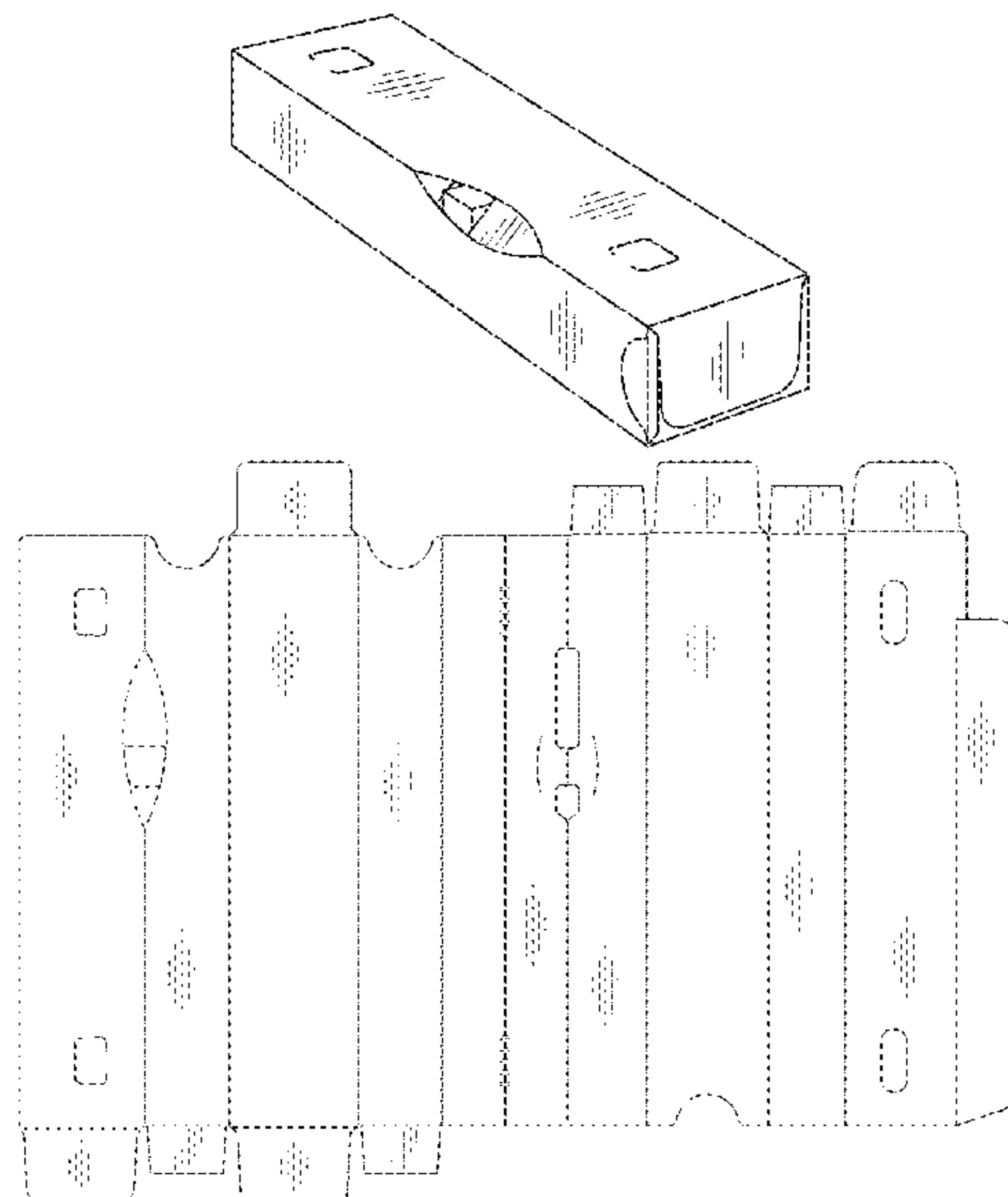
(57) **CLAIM**

The ornamental design for a packaging box, as shown and described.

DESCRIPTION

FIG. 1 depicts a perspective view of a packaging box;
FIG. 2 depicts a front view thereof;
FIG. 3 depicts a back view thereof;
FIG. 4 depicts a left view thereof;
FIG. 5 depicts a right view thereof;
FIG. 6 depicts a top view thereof;
FIG. 7 depicts a bottom view thereof; and,
FIG. 8 depicts an open unassembled view thereof.

1 Claim, 4 Drawing Sheets



(56)

References Cited

U.S. PATENT DOCUMENTS

D822,480 S * 7/2018 Rivera D9/418
 D834,408 S * 11/2018 Hon D9/418
 D856,131 S * 8/2019 Hon D9/418
 D870,551 S * 12/2019 Klesmith D9/418
 D873,555 S * 1/2020 Wurm D3/203.1
 D885,882 S * 6/2020 Tsuchihashi D9/418
 D897,196 S * 9/2020 Lyle D9/414
 D911,167 S * 2/2021 Tsai D9/432
 D911,833 S * 3/2021 Toroyan D9/416
 D922,195 S * 6/2021 Altman D9/432
 D940,553 S * 1/2022 Kvam D9/433
 D947,021 S * 3/2022 Garthaffner D9/418
 D947,022 S * 3/2022 Bellamah D9/418
 D948,336 S * 4/2022 Anis-Mohamed D9/420
 D949,010 S * 4/2022 Sill D9/433

D949,686 S * 4/2022 Tao B65D 33/1691
 D950,377 S * 5/2022 Gierow D9/433
 D955,225 S * 6/2022 Epstein D9/432
 D958,648 S * 7/2022 Althaus D9/432
 D961,380 S * 8/2022 Holloway D9/432
 D966,090 S * 10/2022 Whitehurst D9/416
 D966,698 S * 10/2022 Chen D3/203.1
 2021/0229858 A1 * 7/2021 Martinsen B65D 5/001
 2021/0276787 A1 * 9/2021 Peng G02B 27/04
 2021/0394951 A1 * 12/2021 Chen B65D 5/4204

OTHER PUBLICATIONS

Pro Carton. Healthcare & Pharmaceuticals. Publication date unavailable. Visited Dec. 27, 2021. <https://www.procarton.com/awards/procarton-ecma-award/2016/categories/healthcare-pharmaceuticals/?lang=es/#finalists> (Year: 0).*

* cited by examiner

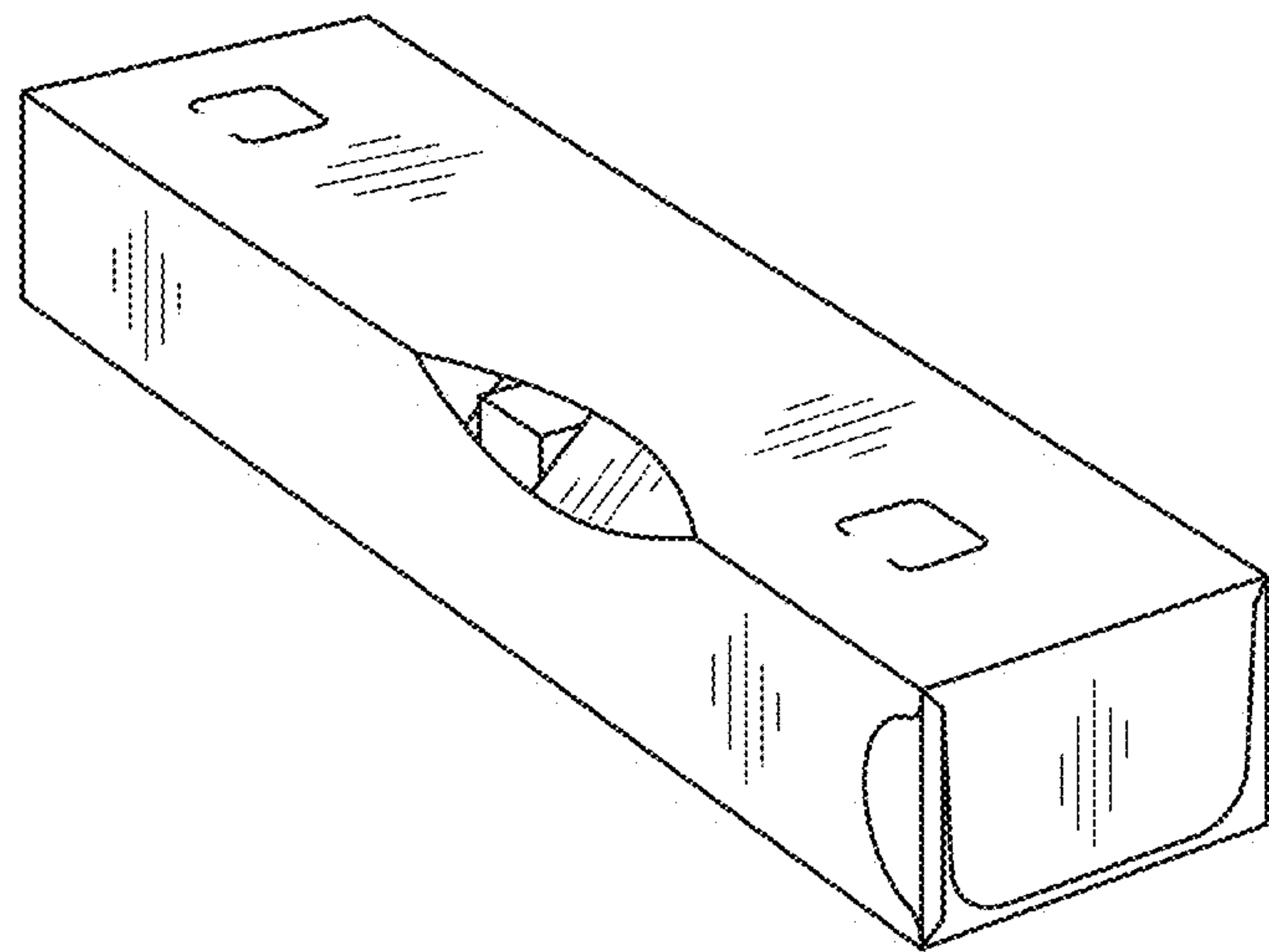


Fig. 1

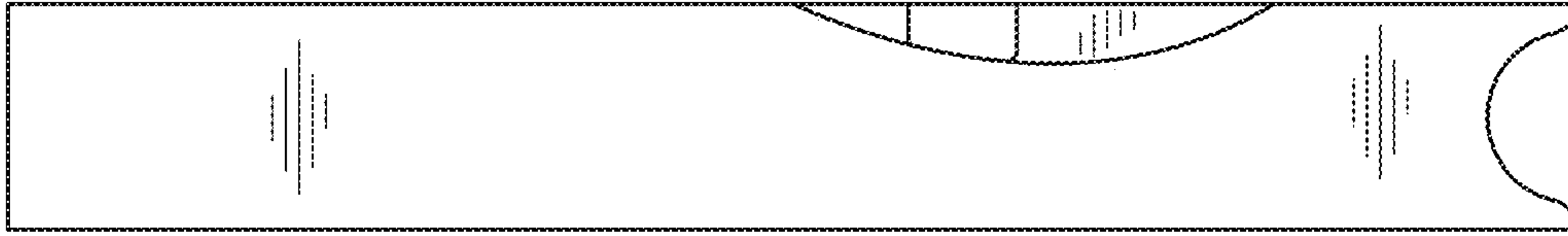


Fig. 2



Fig. 3

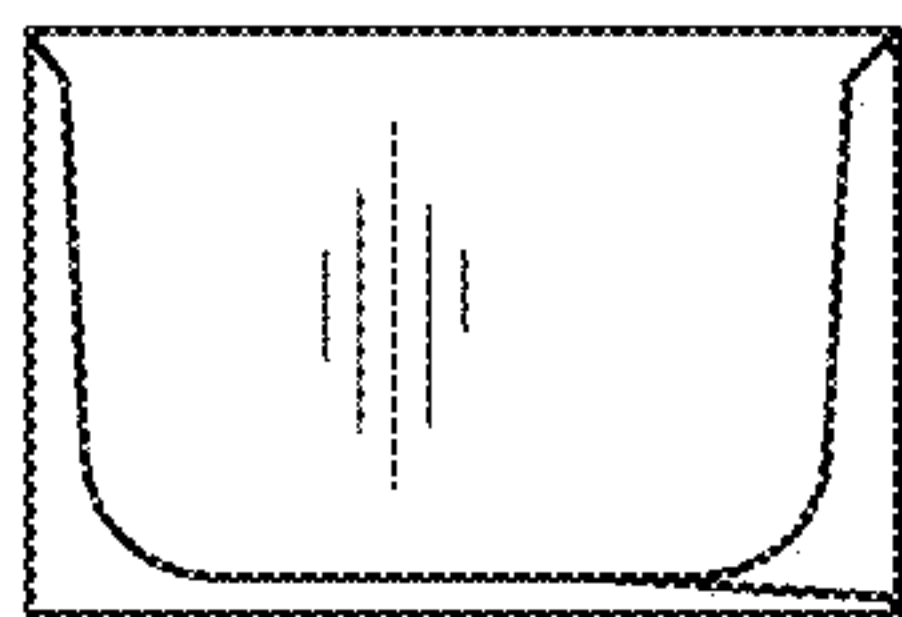


Fig. 4

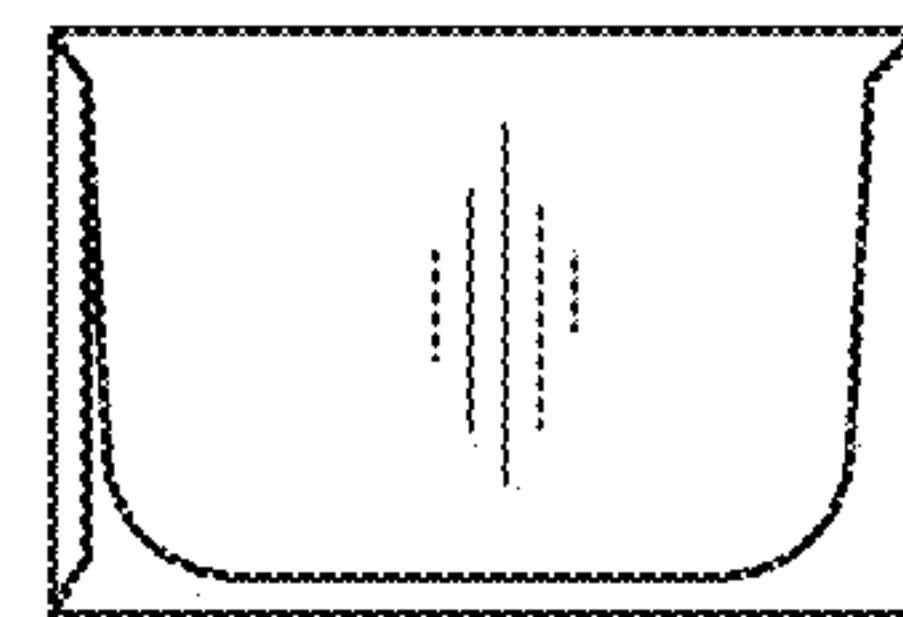


Fig. 5

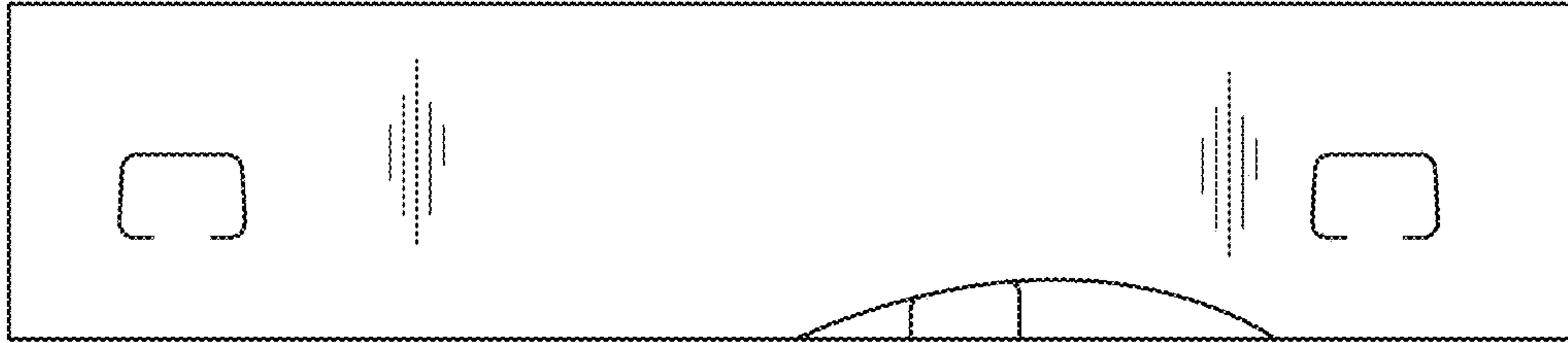


Fig. 6

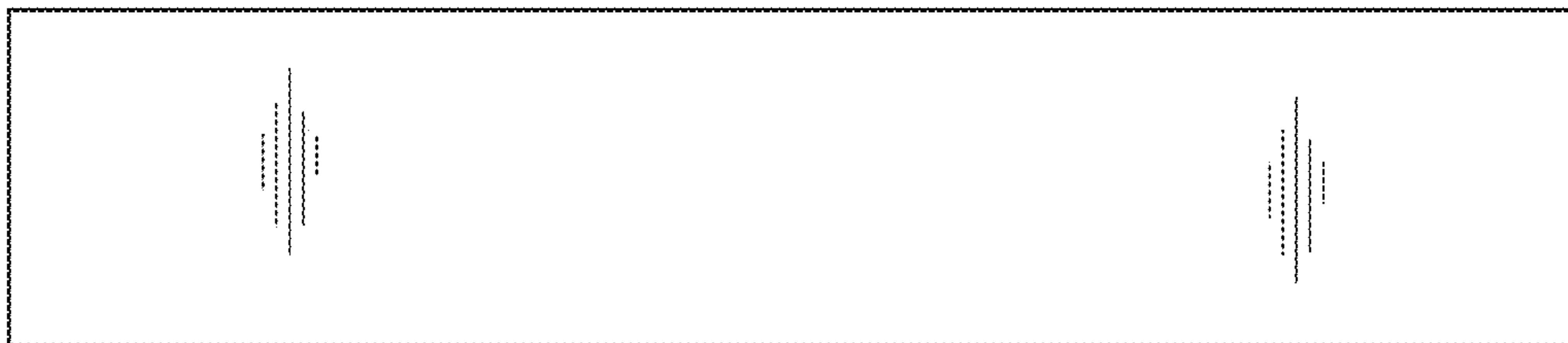


Fig. 7

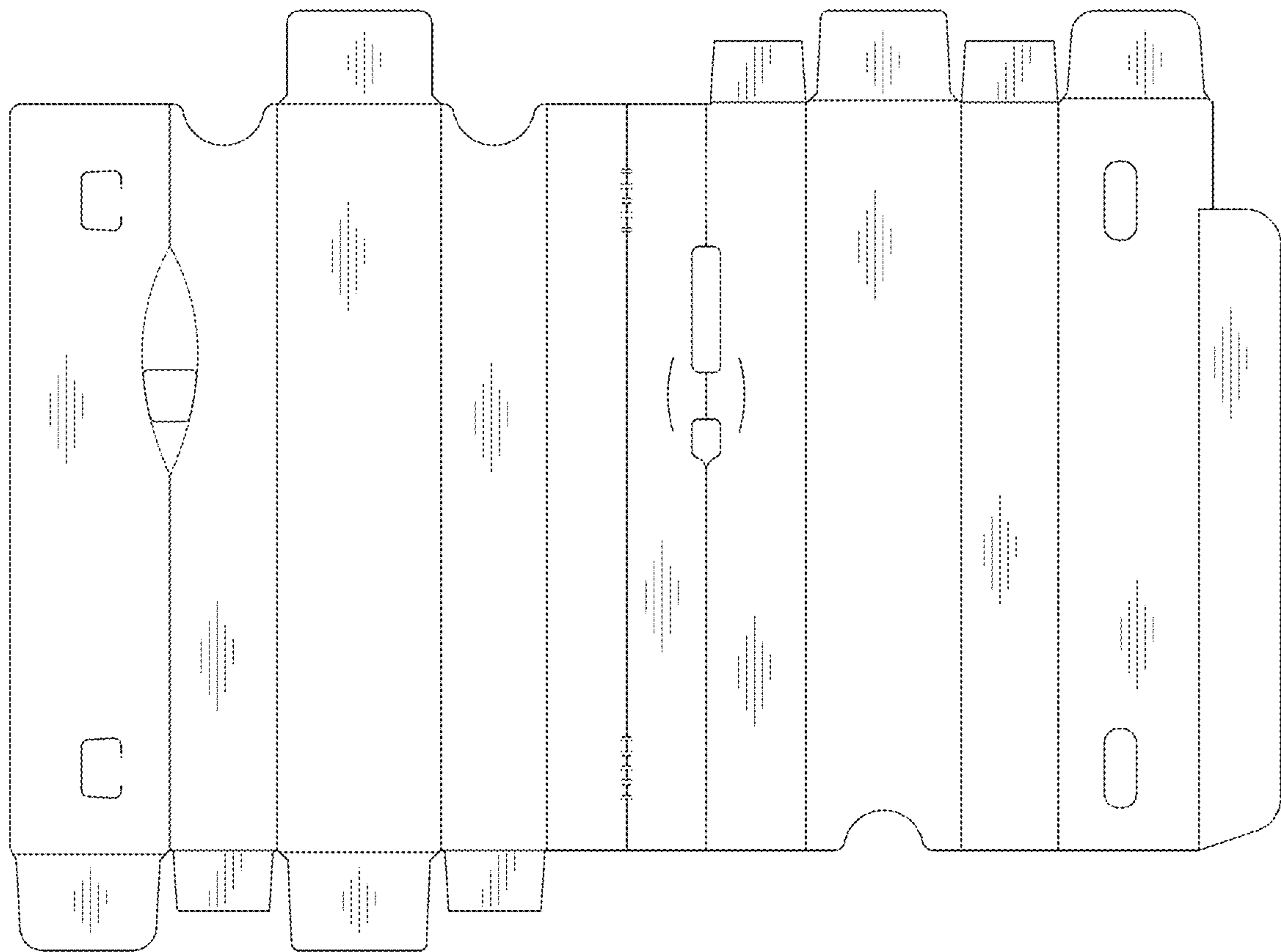


Fig. 8