



US00D976696S

(12) **United States Design Patent** (10) **Patent No.:** **US D976,696 S**
Sholl (45) **Date of Patent:** **** Jan. 31, 2023**

(54) **SPROUT CONTAINER**
(71) Applicant: **Ra Foods Holdings LLC**, Southlake, TX (US)

5,927,007 A 7/1999 Oda
6,313,377 B1 11/2001 Schipper
6,689,609 B1 2/2004 Fan
7,921,600 B1 4/2011 Cleveland
(Continued)

(72) Inventor: **Jeffrey Sholl**, Naples, FL (US)

FOREIGN PATENT DOCUMENTS

(73) Assignee: **RA FOODS HOLDINGS LLC**, Southlake, TX (US)

GB 2089632 A 6/1982
RU 2025961 C1 1/1995
(Continued)

(**) Term: **15 Years**

(21) Appl. No.: **29/767,528**

OTHER PUBLICATIONS

(22) Filed: **Jan. 22, 2021**

Search Report and Written Opinion issued in related International Patent Application No. PCT/US2016/013230 dated Jun. 2, 2016.
(Continued)

(51) **LOC (14) Cl.** **09-03**

(52) **U.S. Cl.**
USPC **D9/424; D9/761**

(58) **Field of Classification Search**
USPC D9/414, 420-424, 425, 432, 737, 761; D7/602, 629, 703
CPC B65D 43/162; B65D 2543/00296; B65D 2543/00101; B65D 2543/0062; B65D 2543/00194; B65D 2543/00324; B65D 2251/105
See application file for complete search history.

Primary Examiner — Lauren R Calve
(74) *Attorney, Agent, or Firm* — Westman, Champlin & Koehler, P.A.; Z. Peter Sawicki; Amanda M. Prose

(57) **CLAIM**

The ornamental design for a sprout container, as shown and described.

(56) **References Cited**

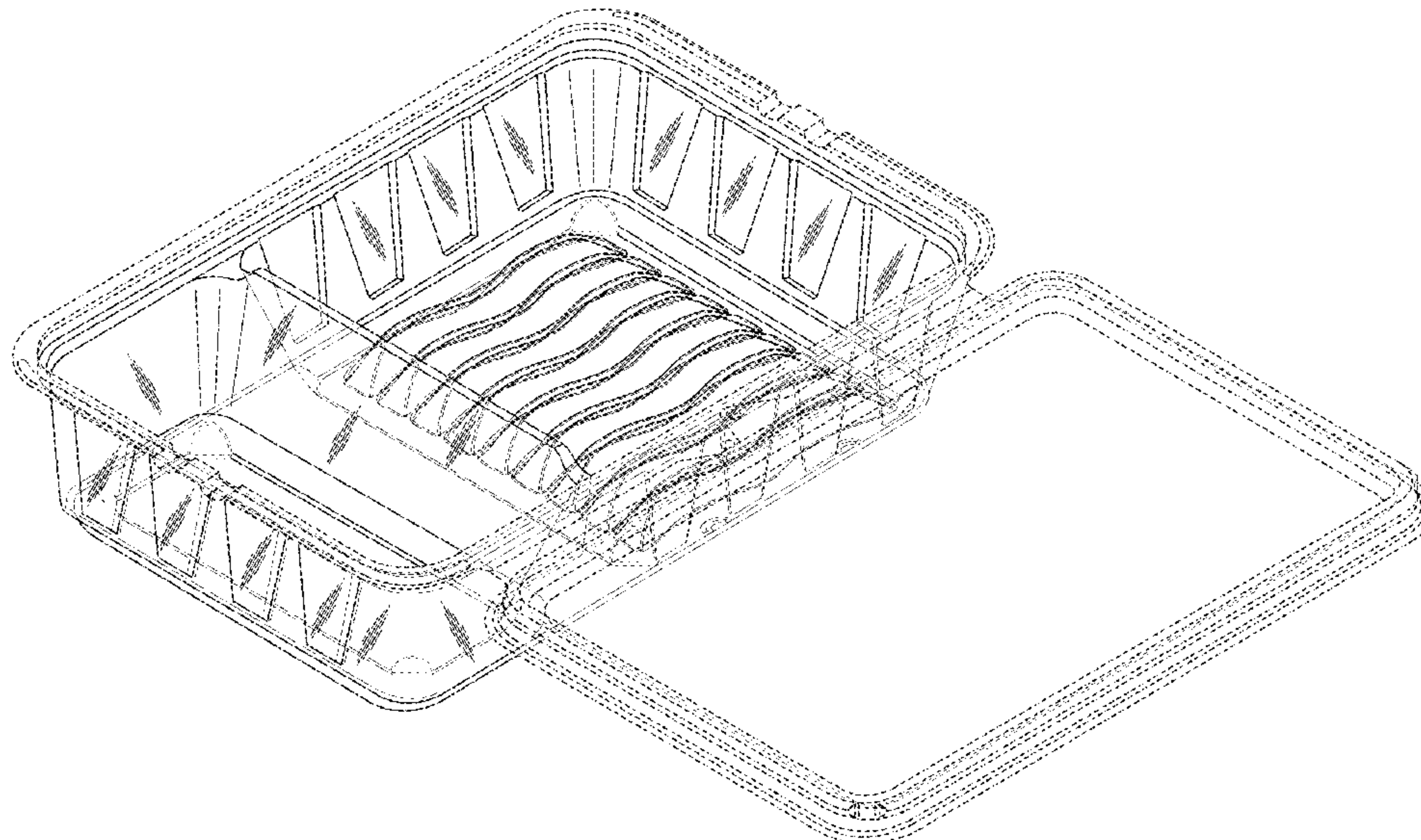
DESCRIPTION

U.S. PATENT DOCUMENTS

D224,585 S * 8/1972 Jewell D9/761
3,768,201 A 10/1973 Yoo
3,906,663 A 9/1975 Peng et al.
3,965,614 A 6/1976 Kienholz
4,006,557 A 2/1977 Sawyer
4,124,953 A 11/1978 Patton
4,135,331 A 1/1979 Lamlee
4,180,941 A 1/1980 Korematsu
4,291,493 A 9/1981 Monson
4,292,761 A 10/1981 Krave
4,330,957 A 5/1982 Davis
D272,505 S * 2/1984 Daenen D7/359
5,896,701 A 4/1999 Schaerer

FIG. 1 is a top perspective view of a sprout container.
FIG. 2 is a left side elevational view of the sprout container.
FIG. 3 is a right side elevational view of the sprout container.
FIG. 4 is front elevational view of the sprout container.
FIG. 5 is a rear elevational view of the sprout container.
FIG. 6 top plan view of the sprout container; and,
FIG. 7 is a bottom plan view of the sprout container.
The broken lines of FIGS. 1-7 are included for the purpose of illustrating environmental structure and form no part of the claimed design.

1 Claim, 5 Drawing Sheets



(56)

References Cited

U.S. PATENT DOCUMENTS

8,375,628 B2 2/2013 Petersen et al.
 D683,211 S * 5/2013 Snedden D9/424
 D687,704 S * 8/2013 Knight D9/425
 8,763,305 B1 7/2014 Petersen et al.
 8,966,813 B2 3/2015 Petersen et al.
 9,161,495 B2 10/2015 Lee
 D752,430 S * 3/2016 Stevenson D9/425
 9,469,458 B2 * 10/2016 Padda B65D 81/263
 D796,948 S * 9/2017 Lam D9/423
 D812,476 S * 3/2018 Bergeron D9/456
 D914,518 S * 3/2021 Krueger D9/761
 2001/0002268 A1 * 5/2001 Hanson B65D 1/36
 426/106
 2002/0130078 A1 9/2002 Tonkin et al.
 2003/0079403 A1 5/2003 Hsien
 2005/0055879 A1 3/2005 Darlington
 2009/0077873 A1 3/2009 Petersen
 2013/0108721 A1 5/2013 Lee
 2014/0237895 A1 8/2014 Samadpour
 2016/0016690 A1 * 1/2016 Lam B65D 85/34
 220/523

2021/0205817 A1 * 7/2021 Bonnoitt, Jr. B65D 43/162
 2021/0331838 A1 * 10/2021 Marcoux B65D 43/162
 2021/0403206 A1 * 12/2021 Fosse B65D 43/162

FOREIGN PATENT DOCUMENTS

RU 2048058 C1 11/1995
 RU 2002111550 A 12/2004
 SU 1537181 A1 1/1990

OTHER PUBLICATIONS

Extended European Search Report Issued in related European Patent Application No. 16737809.0 dated Aug. 10, 2018.
 Liana: "Graines germees : Germination et preparation avec ou sans germeoir." May 20, 2006 XP055742878, retrieved from the internet: URL:<http://www.cfaitmaison.com/germs/germination.html> [retrieved on Oct. 22, 2020].
 Anonymous: "Faire germer les graines : comment faire ? (2eme partie)—Le Jardin des Medicinales", Aug. 7, 2012, XP055742881, Retrieved from the internet: URL:<https://le-jardin-des-medicinales.com/faire-germer-2eme-partie/> [retrieved on Oct. 22, 2020].
 Examination Report issued for EP patent application serial No. 16737809.0, dated Nov. 2, 2020.

* cited by examiner

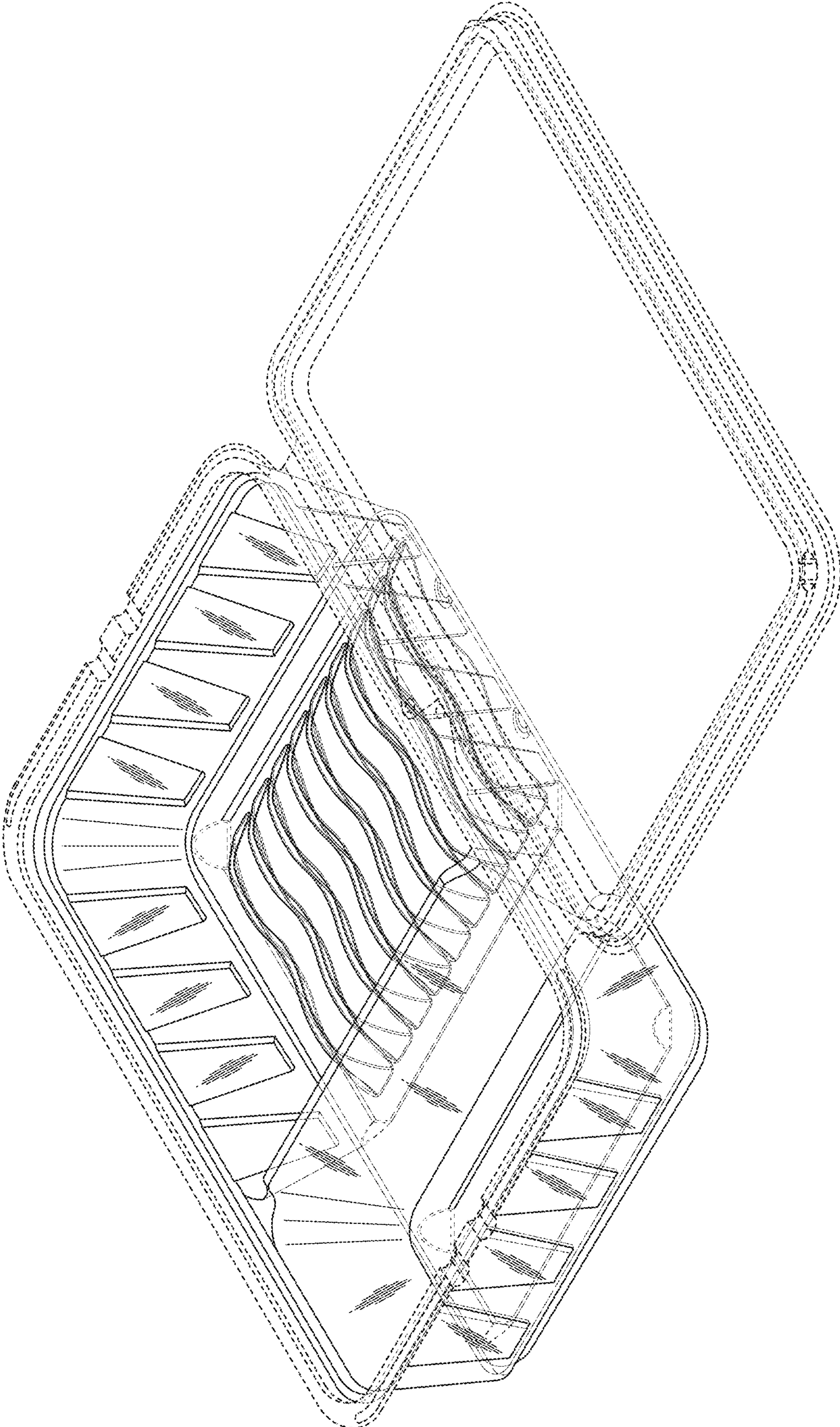


FIG. 1

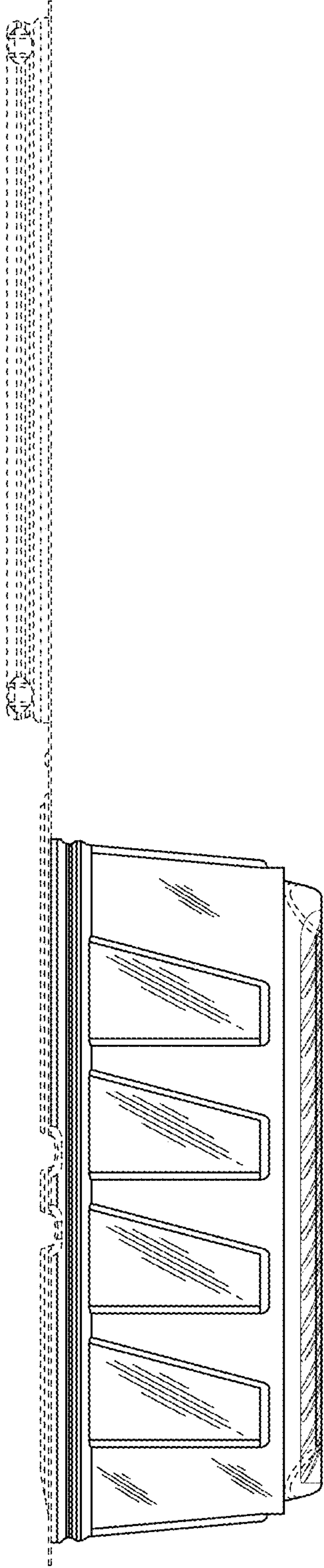


FIG. 2

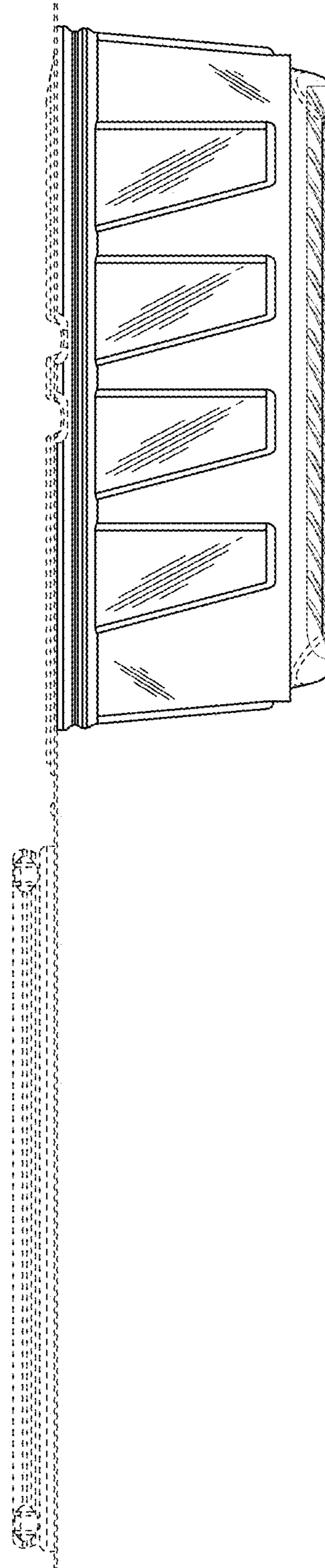


FIG. 3

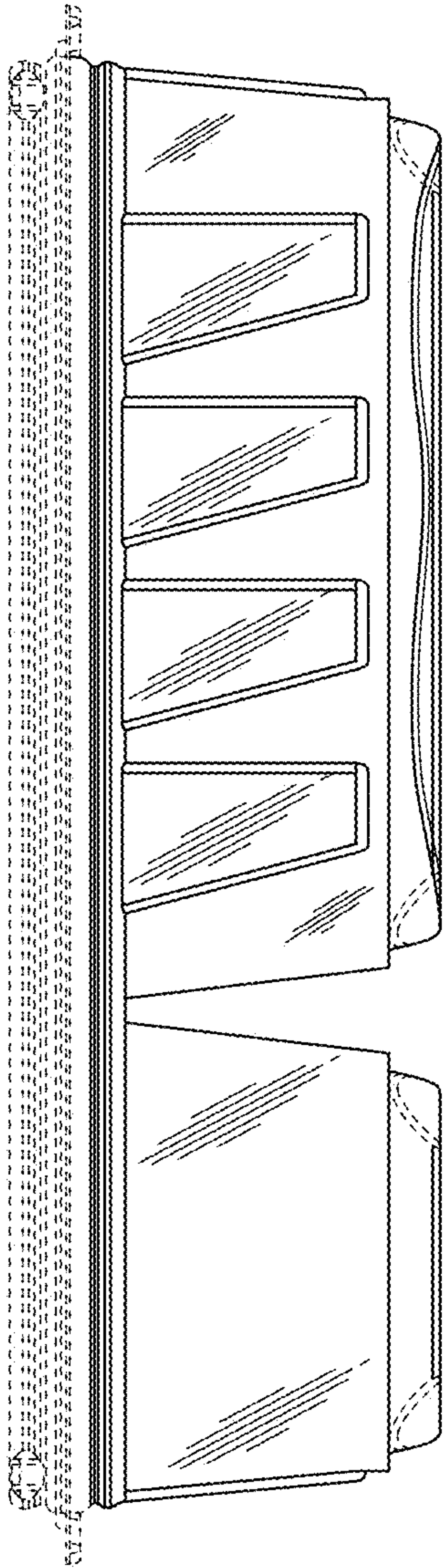


FIG. 4

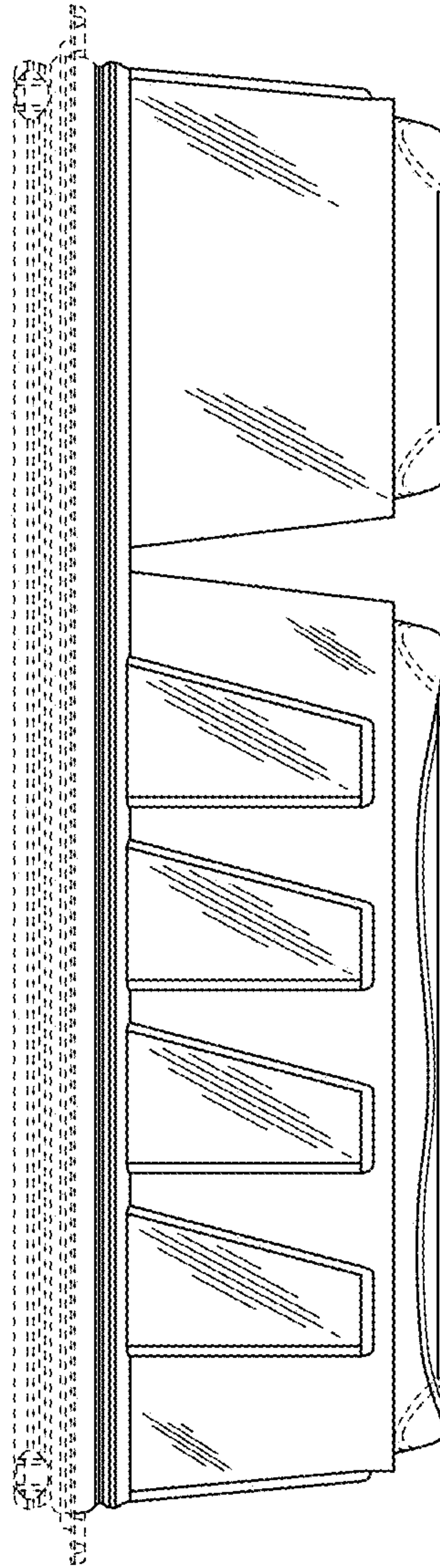


FIG. 5

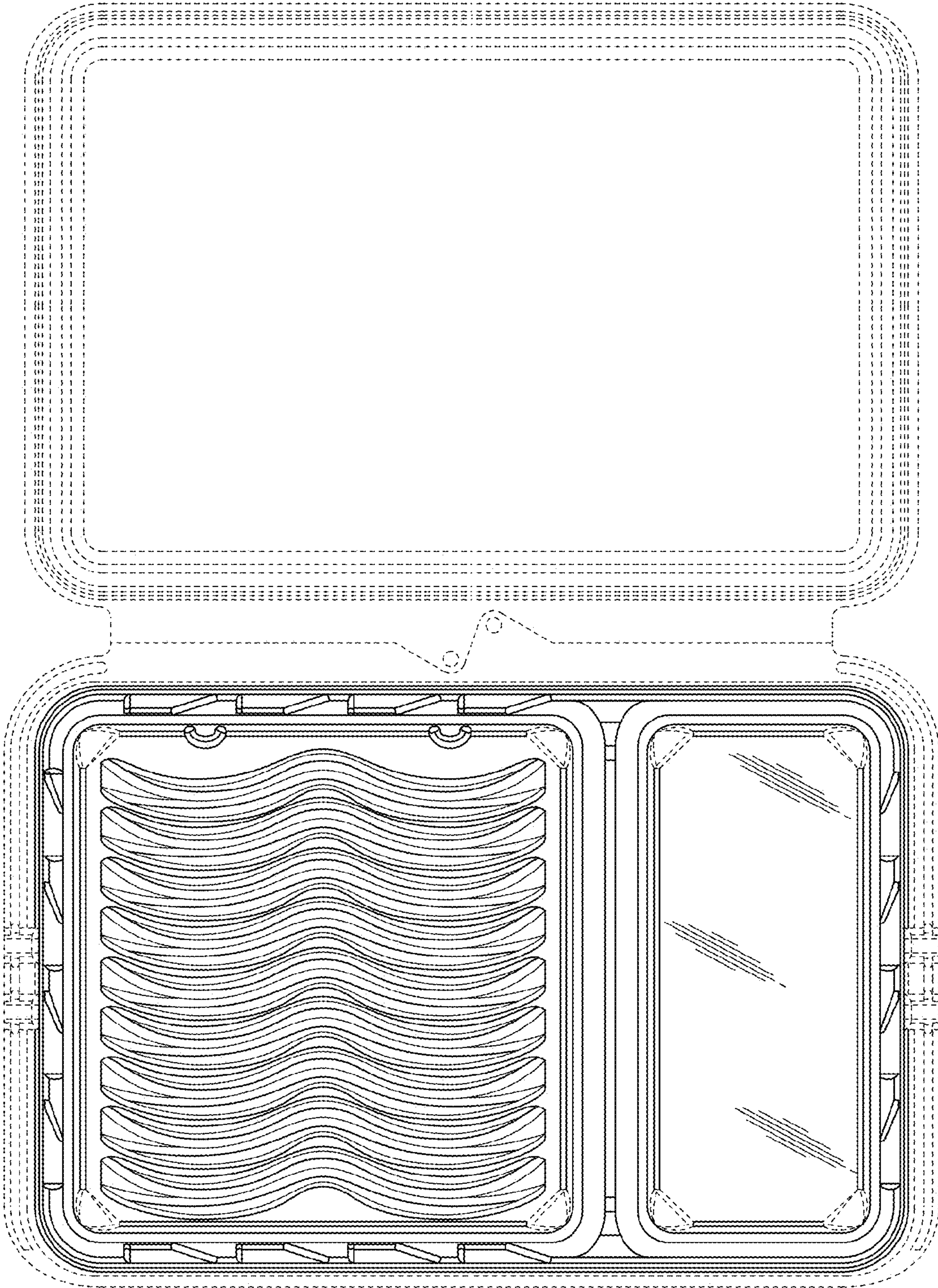


FIG. 6

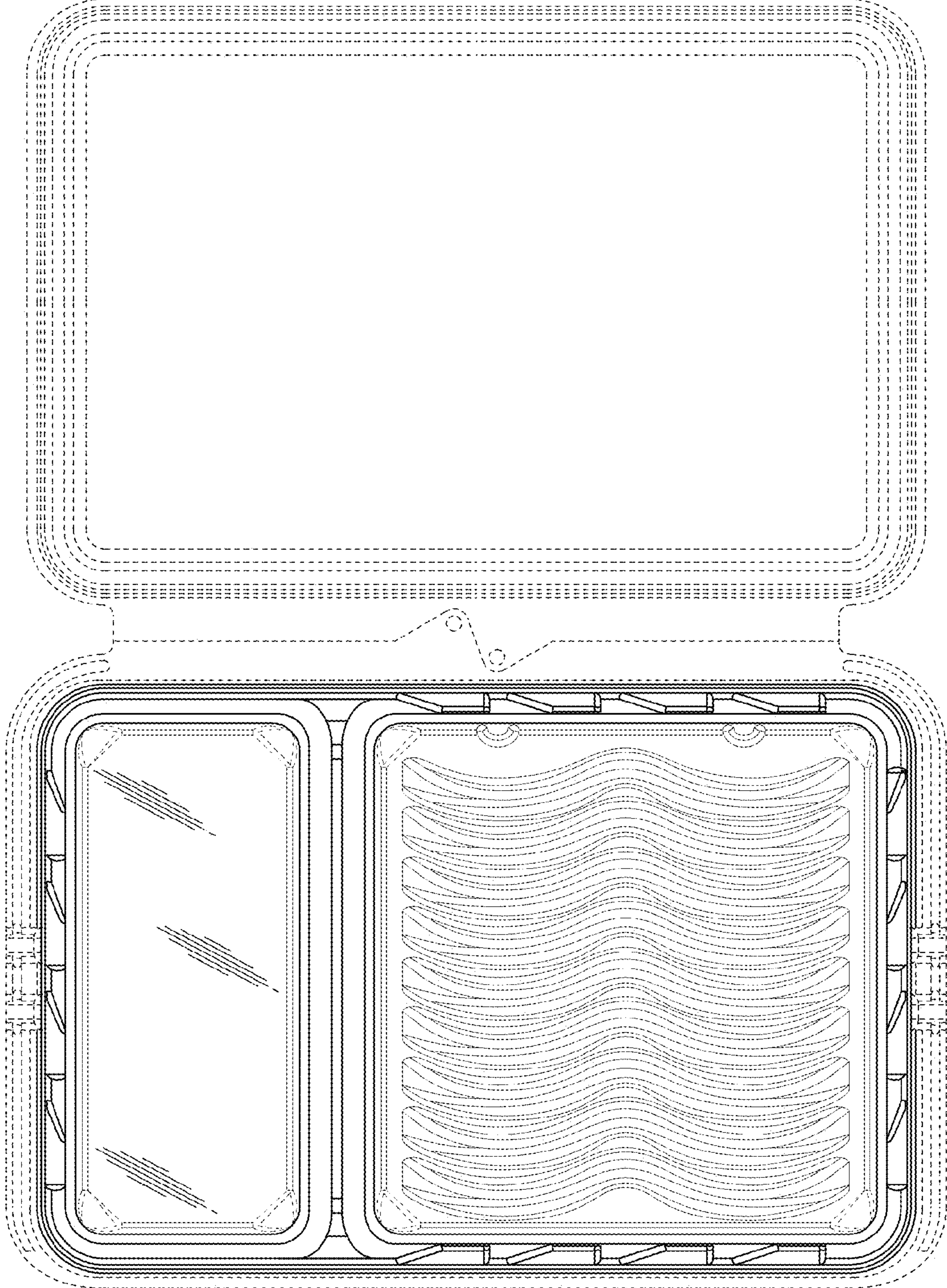


FIG. 7