



US00D976694S

(12) **United States Design Patent**
Tian

(10) **Patent No.:** **US D976,694 S**

(45) **Date of Patent:** **** Jan. 31, 2023**

(54) **GARDEN CLIP**

(71) Applicant: **Shijie Tian**, Xinjiang (CN)

(72) Inventor: **Shijie Tian**, Xinjiang (CN)

(**) Term: **15 Years**

(21) Appl. No.: **29/818,435**

(22) Filed: **Dec. 8, 2021**

(51) **LOC (14) Cl.** **08-08**

(52) **U.S. Cl.**
USPC **D8/395**

(58) **Field of Classification Search**
USPC D8/394-396
CPC ... D06F 55/02; E04B 1/19; E04D 2003/0862;
E04D 3/06; E04G 7/16; F16L 3/13
See application file for complete search history.

(56) **References Cited**

U.S. PATENT DOCUMENTS

- 798,065 A * 8/1905 Klokner B42F 1/06
24/563
- 798,669 A * 9/1905 Garland E04B 1/19
403/68
- 1,387,409 A * 8/1921 Klokner E04D 3/06
24/555
- 1,786,612 A * 12/1930 Heslop F16L 33/035
24/20 R
- 3,313,009 A * 4/1967 Beckerer F16L 3/13
D8/395
- D208,105 S * 7/1967 Haber D8/395
- 4,002,349 A * 1/1977 Dopp A63C 11/021
401/35
- 4,722,120 A * 2/1988 Lu D06F 55/02
24/489
- 4,821,988 A * 4/1989 Jimenez A61G 7/0503
D8/395
- D308,936 S * 7/1990 Arner D8/395

- D317,246 S * 6/1991 Driscoll D9/434
- 5,640,742 A * 6/1997 White A44C 3/001
24/3.12
- 5,797,675 A * 8/1998 Tanner, Jr. F21V 15/00
248/50
- D468,356 S * 1/2003 Snell D8/395
- D514,435 S * 2/2006 Bhavnani D19/65
- D561,552 S * 2/2008 Tsuchida D8/71
- D663,494 S * 7/2012 Milliff D8/395
- D667,724 S * 9/2012 Mangano
- D693,211 S * 11/2013 Brown D8/395
- D699,100 S * 2/2014 Moreau
- D907,993 S * 1/2021 MulHolland D8/394

OTHER PUBLICATIONS

“EZ White Snap Clamp”, Nov. 7, 2014, Amazon.ca, site visited Nov. 3, 2022: <https://www.amazon.ca/Snap-Clamp-Inch-Inches-White/dp/B00C7DPO4K> (Year: 2014).*

(Continued)

Primary Examiner — Jack Reickel

Assistant Examiner — Michael A Kervin

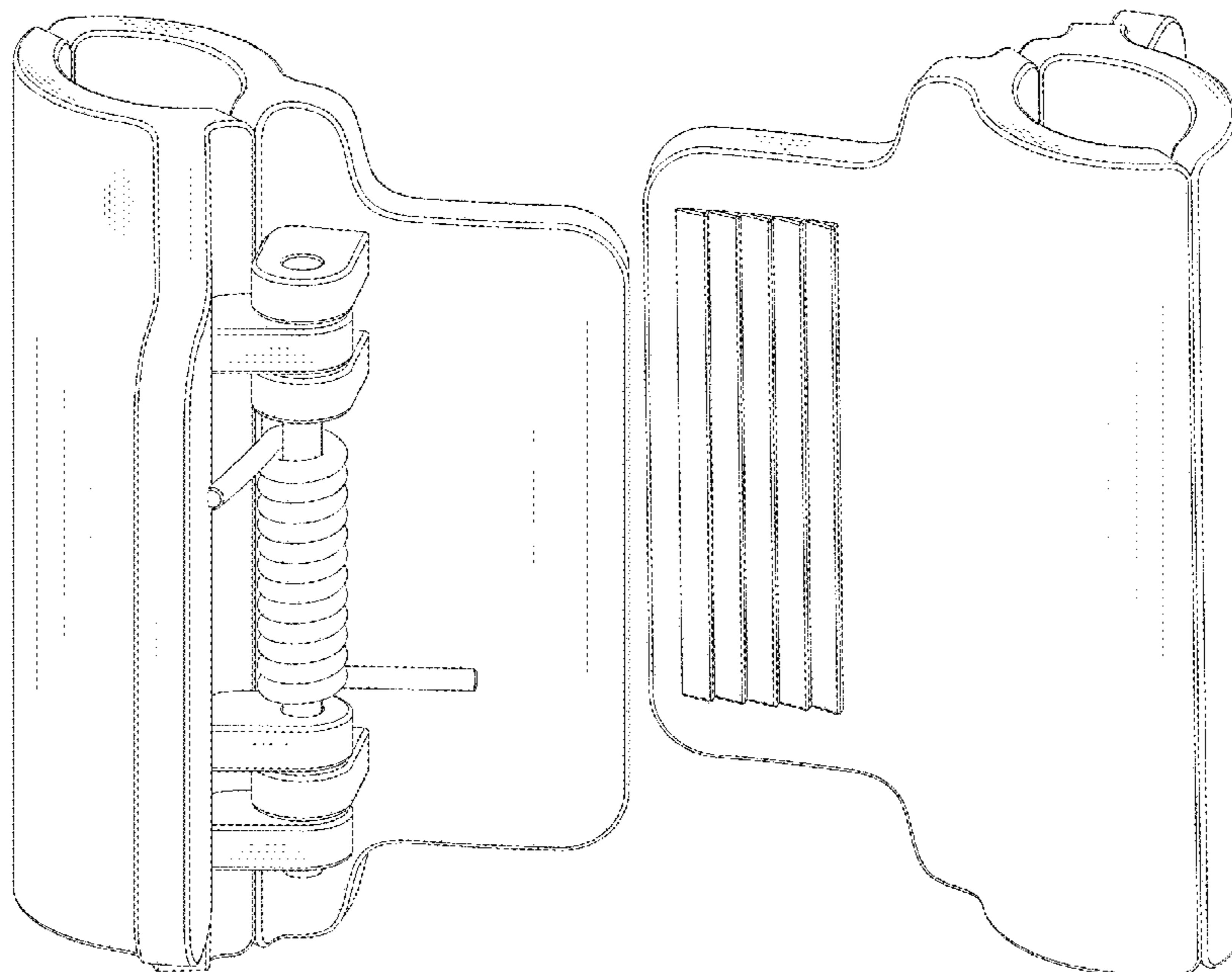
(57) **CLAIM**

The ornamental design for a garden clip, as shown and described.

DESCRIPTION

FIG. 1 is a perspective view of a garden clip showing my new design;
FIG. 2 is an alternative perspective view thereof;
FIG. 3 is a front view thereof;
FIG. 4 is a back view thereof;
FIG. 5 is a left side view thereof;
FIG. 6 is a right side view thereof;
FIG. 7 is a top plan view thereof; and,
FIG. 8 is a bottom plan view thereof.

1 Claim, 8 Drawing Sheets



(56)

References Cited

OTHER PUBLICATIONS

“Yardwe 12pcs Greenhouse Clips”, Mar. 9, 2020, Amazon.com, site visited Nov. 3, 2022: <https://www.amazon.com/Yardwe-Greenhouse-Netting-Greenhouses-Shelters/dp/B085NSTB3X> (Year: 2020).*

“10 Pack Chip Bag Clips with 5 Colors”, Sep. 17, 2020, Amazon.com, site visited Nov. 3, 2022: <https://www.amazon.com/dp/B08JCFVQG8> (Year: 2020).*

“Pirate Ant Greenhouse Clamps”, Feb. 23, 2022, Amazon.ca, site visited Nov. 3, 2022: <https://www.amazon.ca/Greenhouse-Support-Stakes-Plastic-Sheeting/dp/B09PL8S6CY> (Year: 2022).*

* cited by examiner

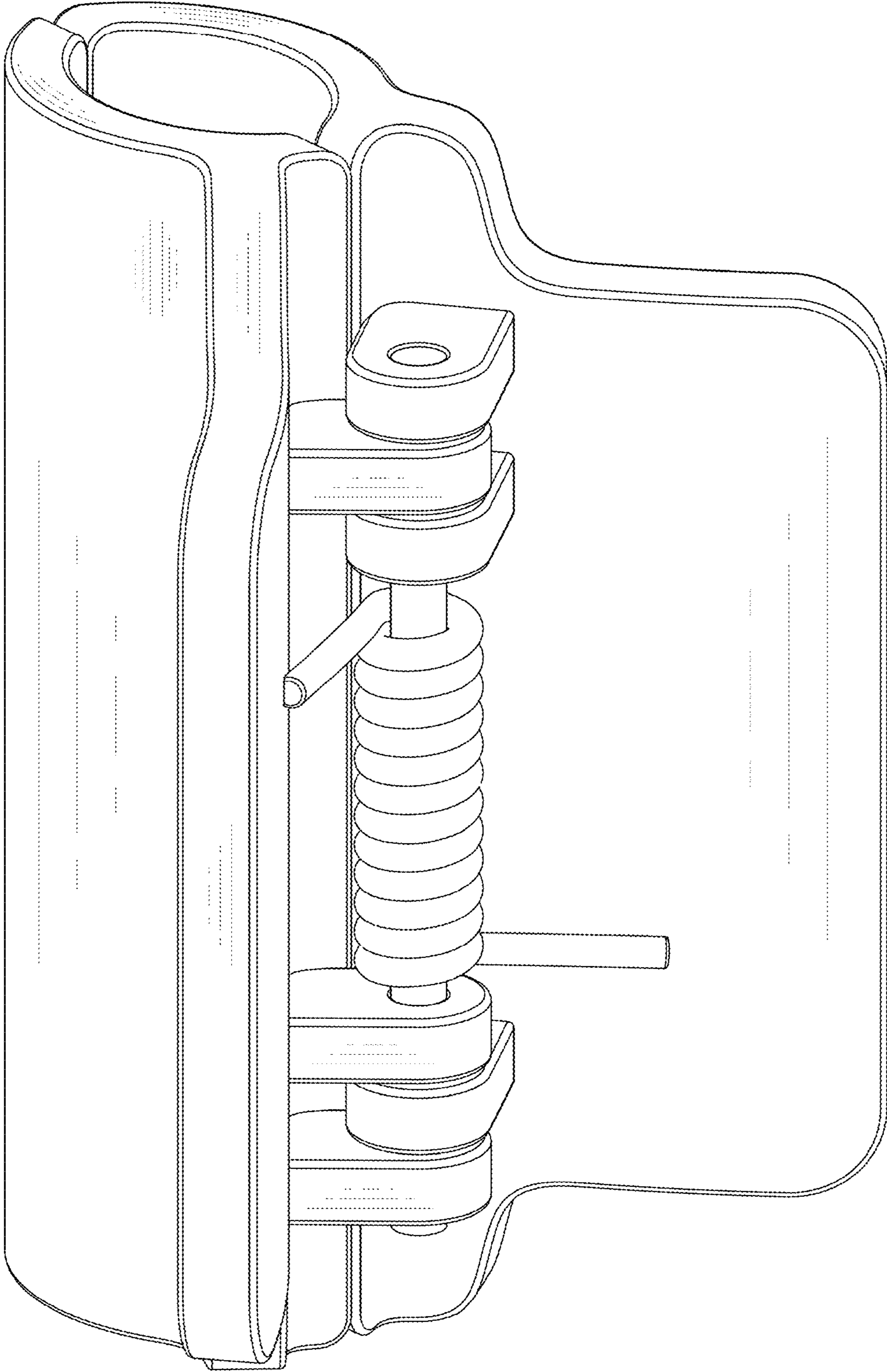


FIG. 1

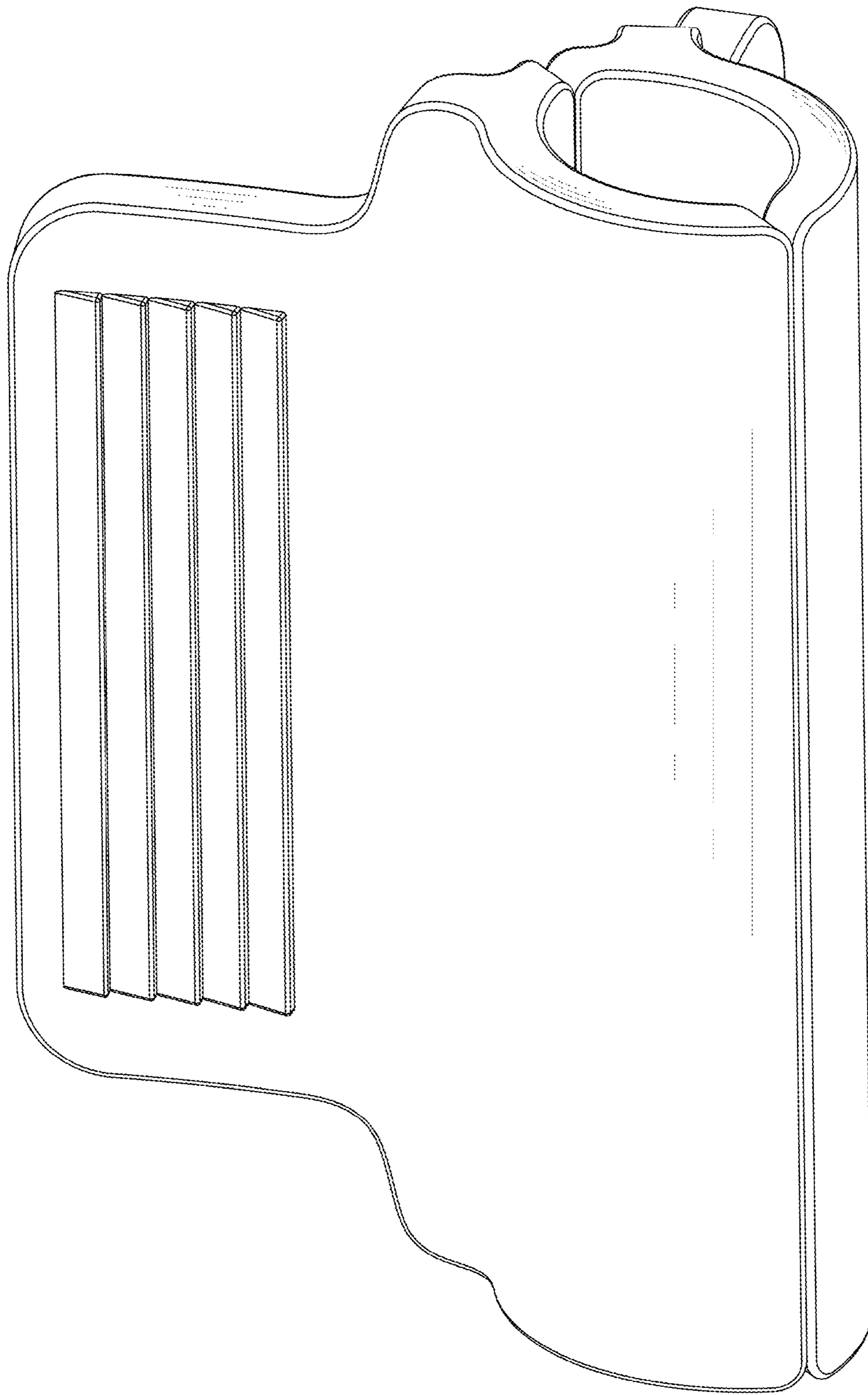


FIG. 2

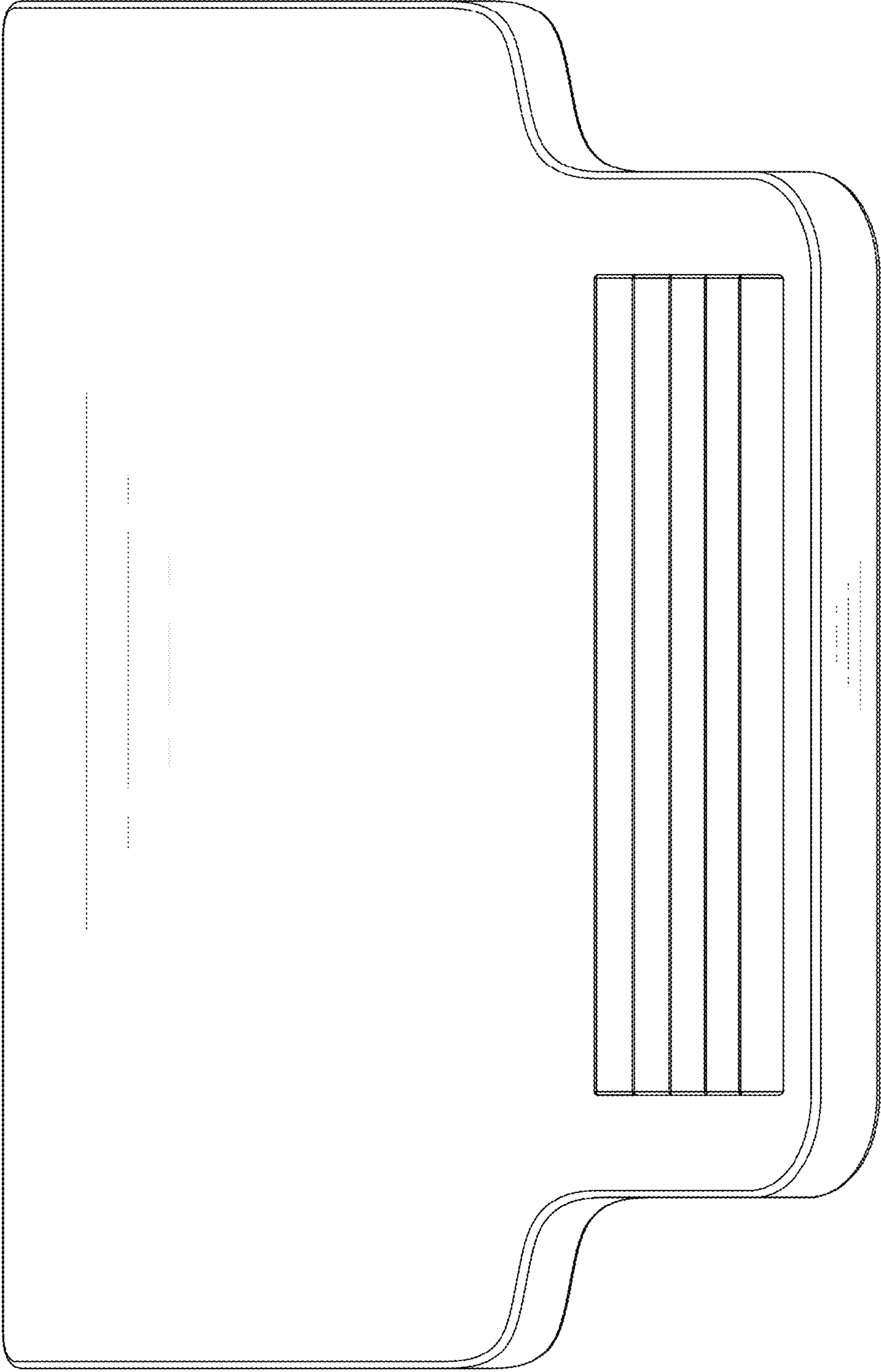


FIG. 3

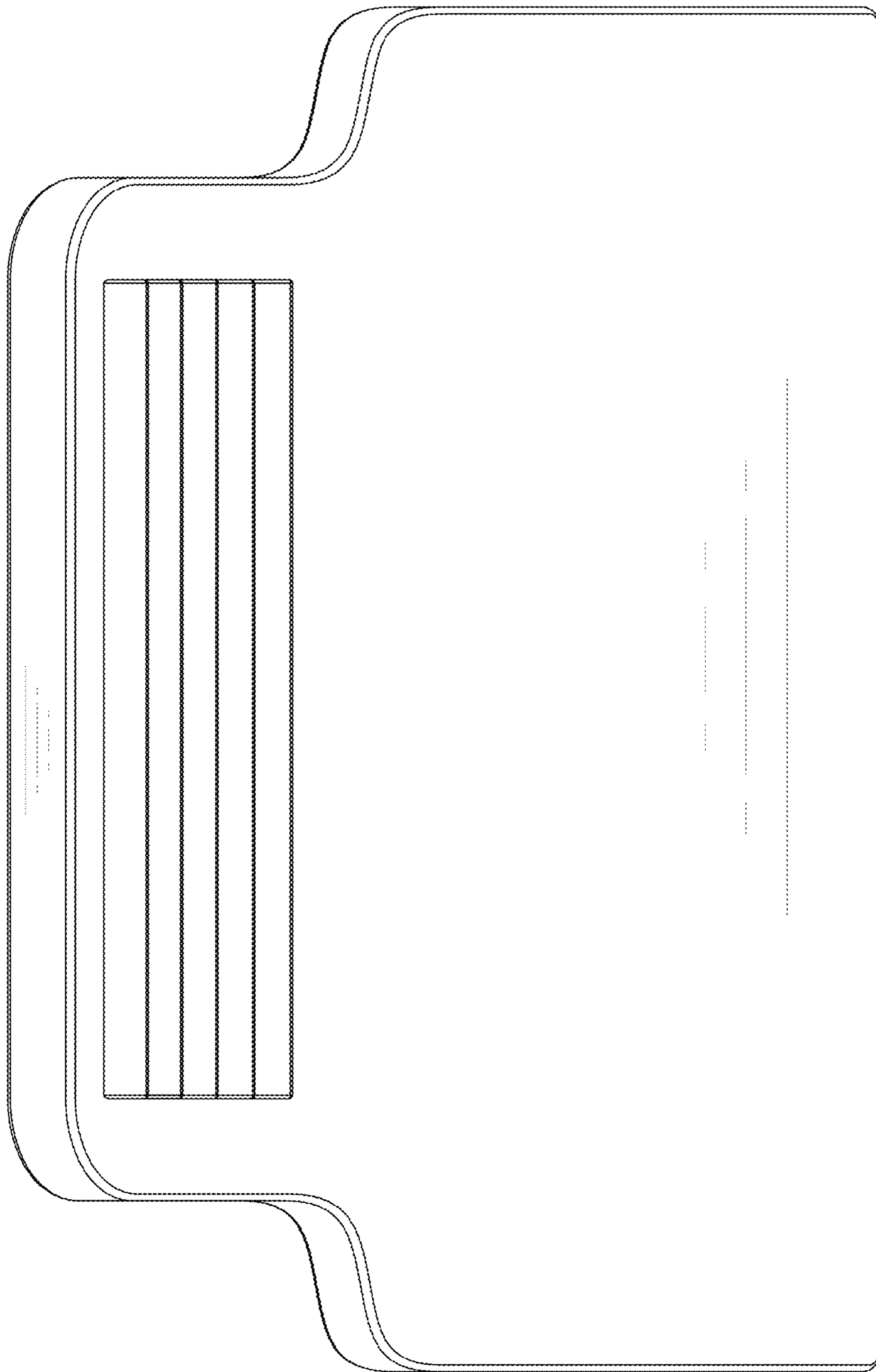


FIG. 4

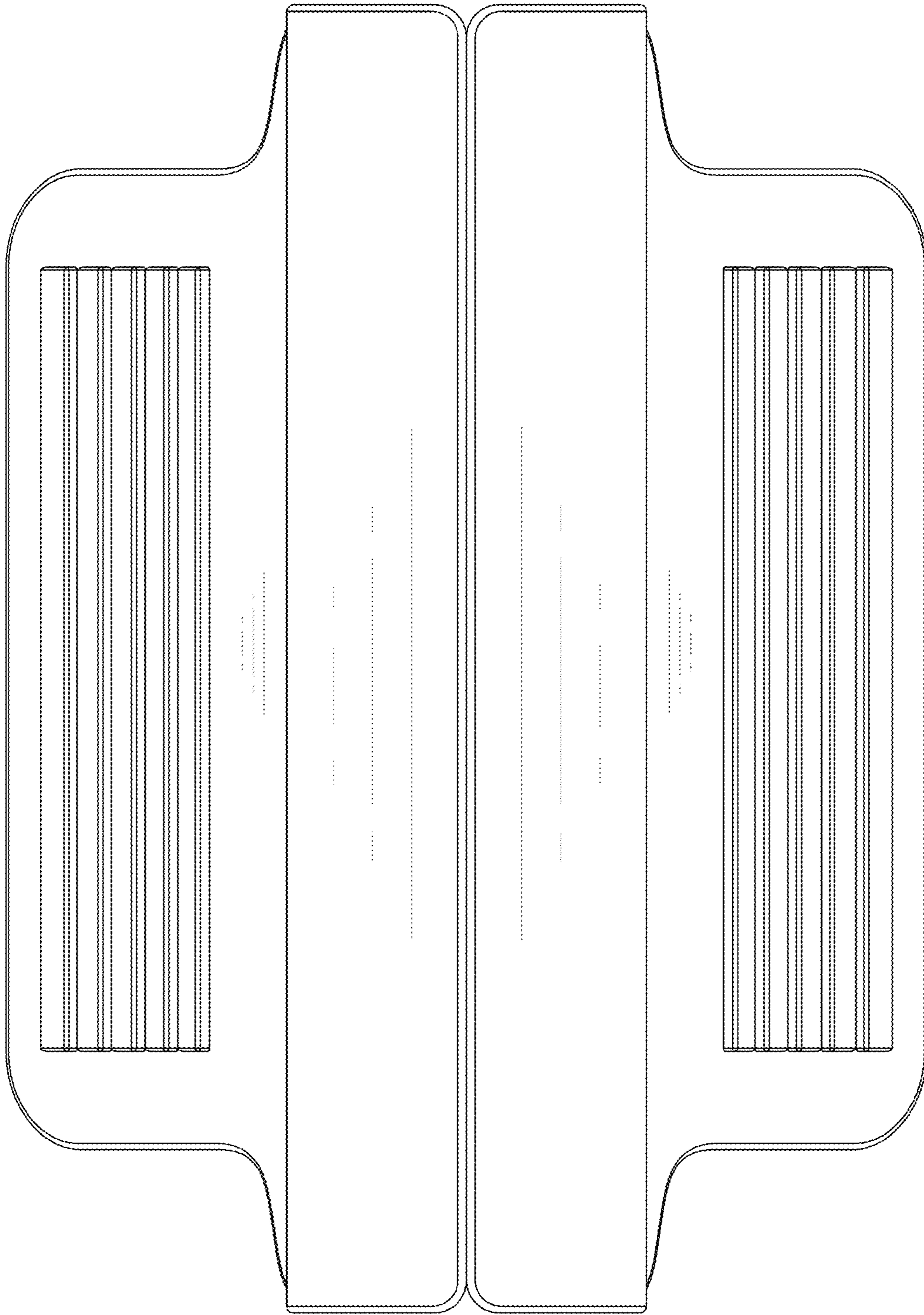


FIG. 5

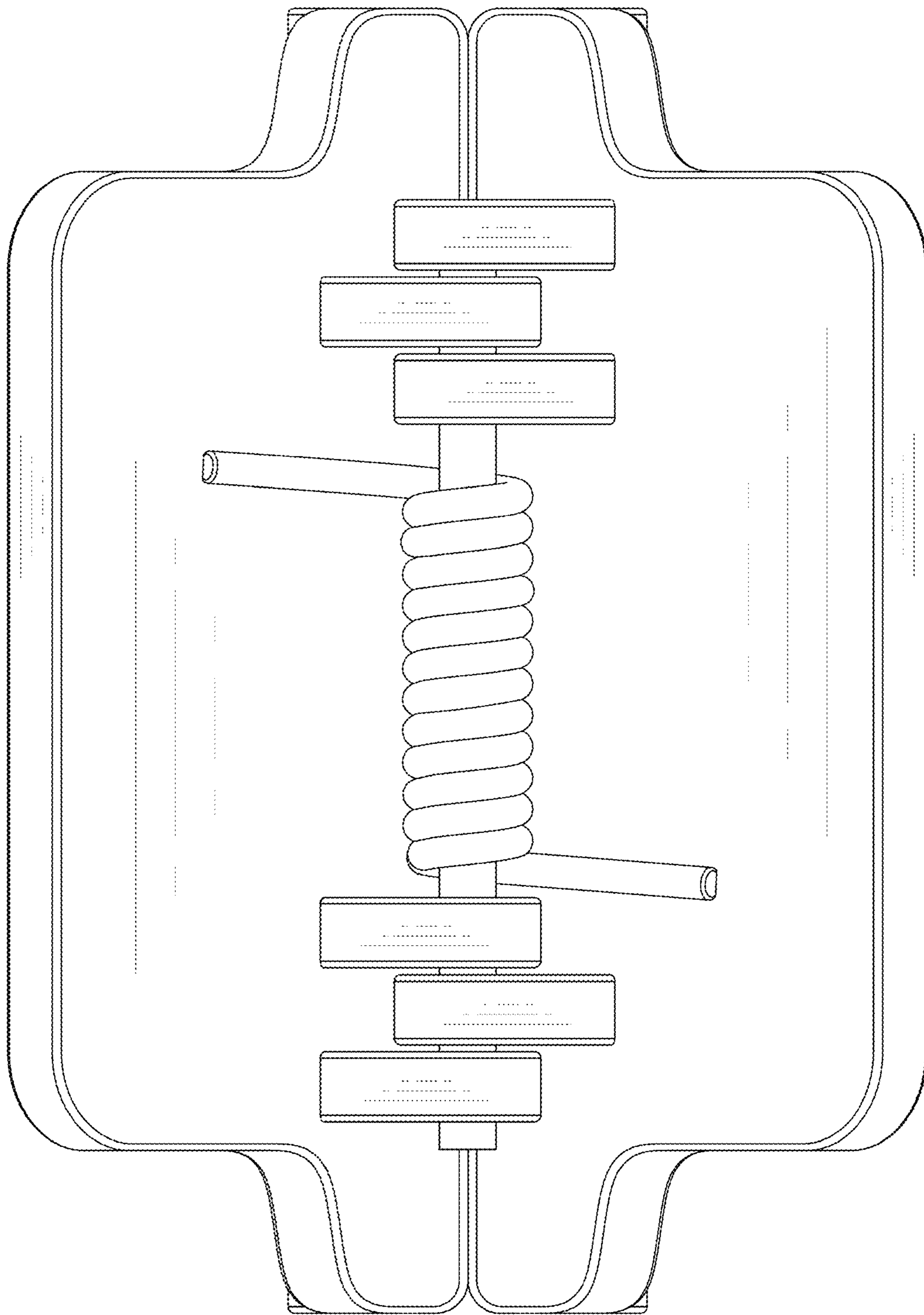


FIG. 6

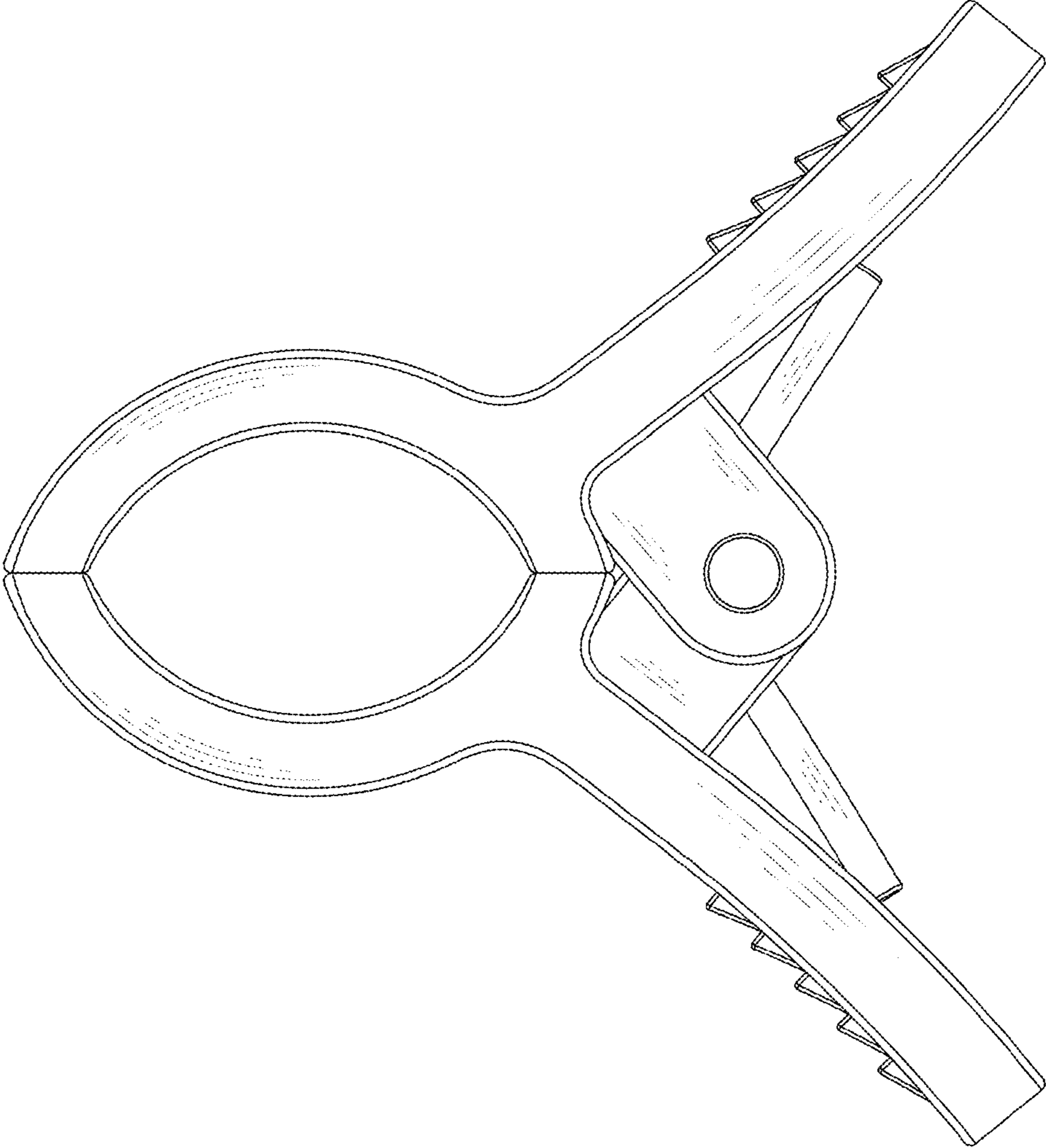


FIG. 7

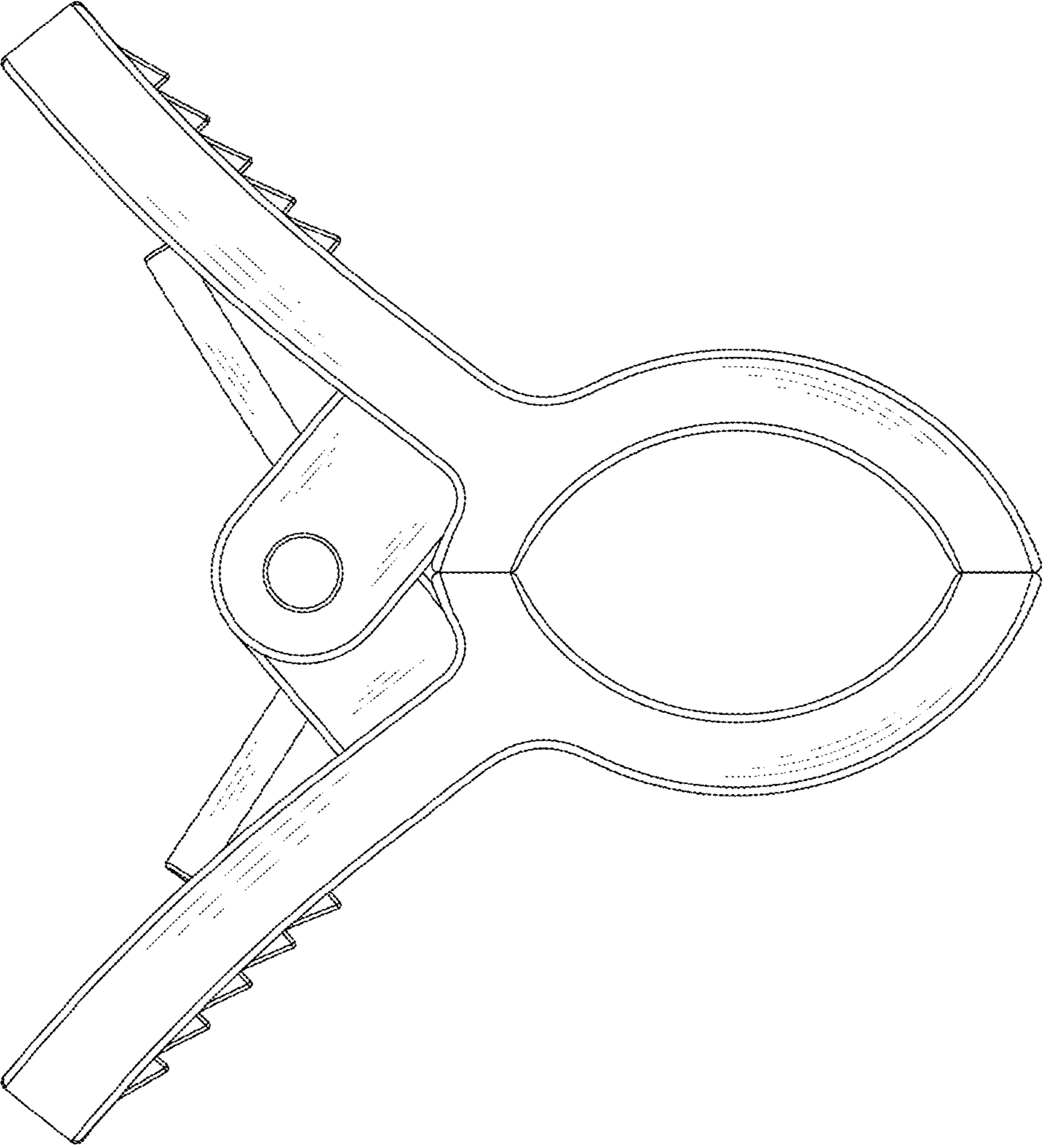


FIG. 8