



US00D976693S

(12) **United States Design Patent**  
**Ordener**

(10) **Patent No.:** **US D976,693 S**  
(45) **Date of Patent:** **\*\* Jan. 31, 2023**

(54) **COUPLING**

(71) Applicant: **OPTIMAS OE SOLUTIONS LLC**,  
Glenview, IL (US)

(72) Inventor: **Sandrine Ordener**, Sarregurmines (FR)

(73) Assignee: **OPTIMAS OE SOLUTIONS LLC**,  
Glenview, IL (US)

(\*\*) Term: **15 Years**

(21) Appl. No.: **29/762,464**

(22) Filed: **Dec. 16, 2020**

(51) **LOC (14) Cl.** ..... **08-08**

(52) **U.S. Cl.**  
USPC ..... **D8/382**

(58) **Field of Classification Search**  
USPC ..... D8/349, 354, 356, 382, 383, 499  
CPC .... E04B 1/4114; E04B 1/043; E04B 2103/02;  
E21D 11/05; E21D 11/08; E21D 11/083;  
F16B 5/0024; F16B 13/126; Y10T  
137/9029; B28B 23/005  
See application file for complete search history.

(56) **References Cited**

U.S. PATENT DOCUMENTS

D25,868 S *	8/1896	Noyes	.....	D8/380
3,680,277 A *	8/1972	Martin	.....	F16B 5/0052 52/438
D253,392 S *	11/1979	Baltare	.....	D8/354
D264,682 S *	6/1982	Van Doren	.....	D8/354
4,515,501 A *	5/1985	Thomas	.....	E21D 11/08 405/153
D315,673 S *	3/1991	Paul	.....	D8/382
5,035,538 A *	7/1991	Mitchell	.....	E21D 11/05 405/152
D351,123 S *	10/1994	Graham	.....	D8/396
D401,211 S *	11/1998	Simpson	.....	D8/349
5,876,084 A *	3/1999	Smith	.....	B60R 13/0206 24/297

D420,483 S *	2/2000	Abbestam	.....	D8/499
D421,897 S *	3/2000	Washeck	.....	D8/395
D427,895 S *	7/2000	Morton	.....	D8/382
6,616,377 B1 *	9/2003	Smith	.....	E21D 11/083 405/153

(Continued)

FOREIGN PATENT DOCUMENTS

EM	008548911-0001	*	7/2021
EM	008548911-0002	*	7/2021

(Continued)

*Primary Examiner* — Sheryl Lane

*Assistant Examiner* — Ieisha N Price

(74) *Attorney, Agent, or Firm* — Marshall, Gerstein &  
Borun LLP

(57) **CLAIM**

The ornamental design for “coupling,” as shown and described.

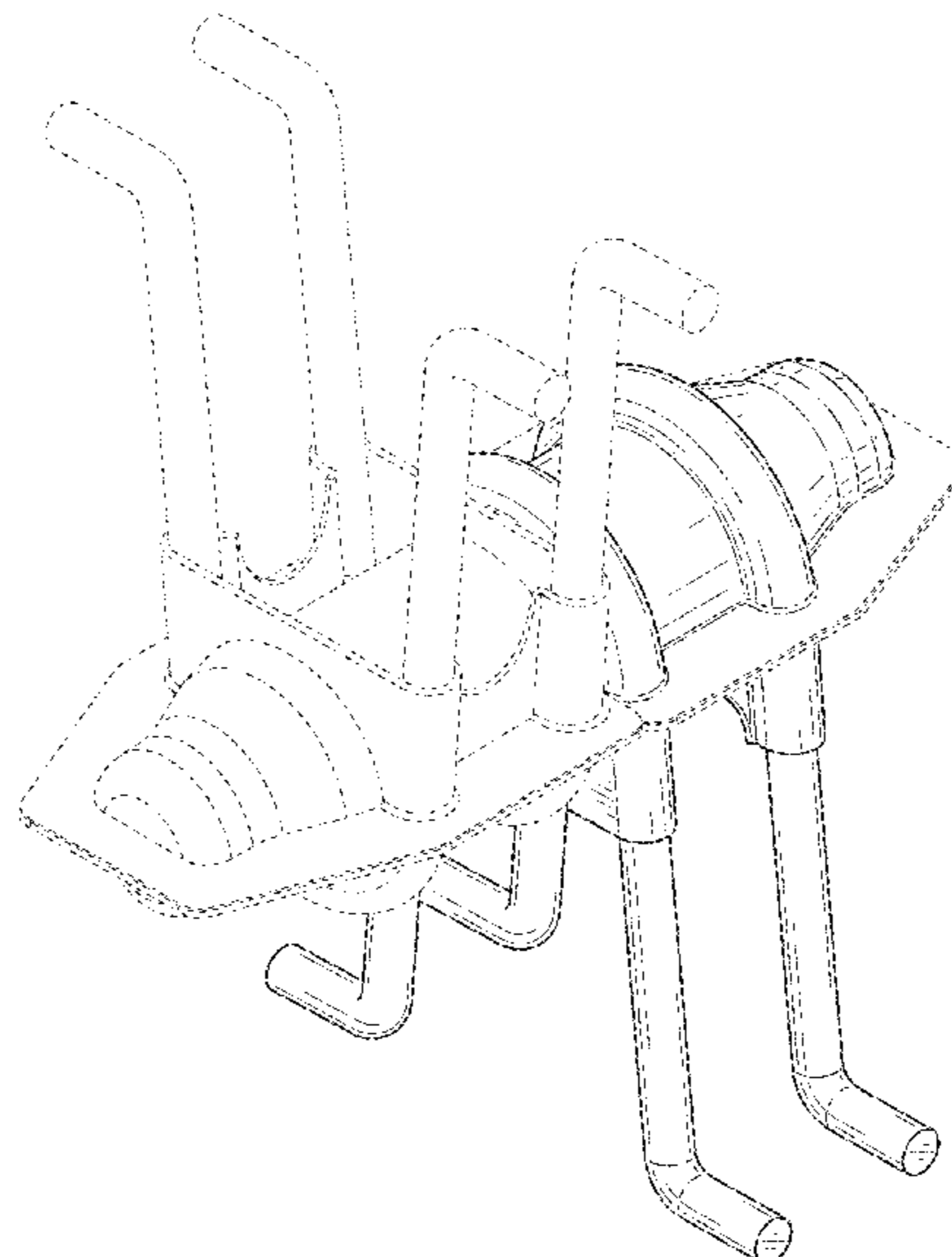
**DESCRIPTION**

FIG. 1 is a front right perspective view of the coupling; FIG. 2 is a left-side view of the coupling of FIG. 1; FIG. 3 is a right-side view of the coupling of FIG. 1; FIG. 4 is a front view of the coupling of FIG. 1; FIG. 5 is a rear view of the coupling of FIG. 1; FIG. 6 is a top view of the coupling of FIG. 1; FIG. 7 is a bottom view of the coupling of FIG. 1; and, FIG. 8 is an exploded view of the coupling of FIG. 1.

The broken lines showing the opposing coupling and pin illustrate the environment of the claimed design and form no part of the claimed design. The remaining evenly spaced broken lines in the drawings illustrate portions of the coupling and form no part of the claimed design. The dot-dash-dot broken lines in the drawings define the bounds of the claim and form no part thereof.

The dot-dash-dot broken lines in the drawings define the boundary of the claim and form no part thereof.

**1 Claim, 8 Drawing Sheets**



(56)

References Cited

U.S. PATENT DOCUMENTS

6,648,278 B1 \* 11/2003 Kirschner ..... F16L 3/1207  
 248/62  
 D563,769 S \* 3/2008 Short ..... D8/354  
 D569,071 S \* 5/2008 Scott ..... D34/35  
 D588,445 S \* 3/2009 Holdsworth ..... D8/382  
 D632,544 S \* 2/2011 Garcia, Jr. .... D8/349  
 D647,784 S \* 11/2011 McNamara ..... D8/349  
 D658,053 S \* 4/2012 Okun ..... D8/396  
 D663,494 S \* 7/2012 Milliff ..... D8/395  
 D664,822 S \* 8/2012 Romine ..... D8/72  
 D669,135 S \* 10/2012 Garfinkle ..... D20/43  
 D675,337 S \* 1/2013 Peplow ..... D24/227  
 D736,060 S \* 8/2015 Shimizu ..... D8/349  
 D763,066 S \* 8/2016 Sugimoto ..... D8/382  
 D767,372 S \* 9/2016 Ito ..... H02G 3/26  
 D793,215 S \* 8/2017 Gallion ..... D8/394  
 D811,869 S \* 3/2018 Gallion ..... D8/394  
 D815,939 S \* 4/2018 Geiger ..... D8/382  
 D823,672 S \* 7/2018 Mogensen ..... D8/382  
 D850,240 S \* 6/2019 Breda ..... F16L 3/1025  
 D8/380

D895,775 S \* 9/2020 Horning ..... D23/265  
 D930,464 S \* 9/2021 Ordener ..... D8/382  
 2008/0196222 A1 \* 8/2008 Park ..... F16B 5/0614  
 403/291  
 2008/0271297 A1 \* 11/2008 Dubost ..... B60R 13/0206  
 24/293  
 2008/0298903 A1 \* 12/2008 Kim ..... E21D 11/155  
 405/288  
 2017/0096895 A1 \* 4/2017 Bonomi ..... E04B 1/40  
 2019/0292740 A1 \* 9/2019 Jilkén ..... F16B 5/002  
 2020/0392723 A1 \* 12/2020 Ordener ..... B28B 23/005

FOREIGN PATENT DOCUMENTS

EM 008548911-0003 \* 7/2021  
 EM 008548911-0004 \* 7/2021  
 EM 008548911-0005 \* 7/2021  
 EM 008548911-0007 \* 7/2021  
 GB 6133675 \* 4/2021  
 GB 6133676 \* 4/2021  
 GB 6133677 \* 4/2021  
 GB 6142813 \* 6/2021  
 GB 6142814 \* 6/2021

\* cited by examiner

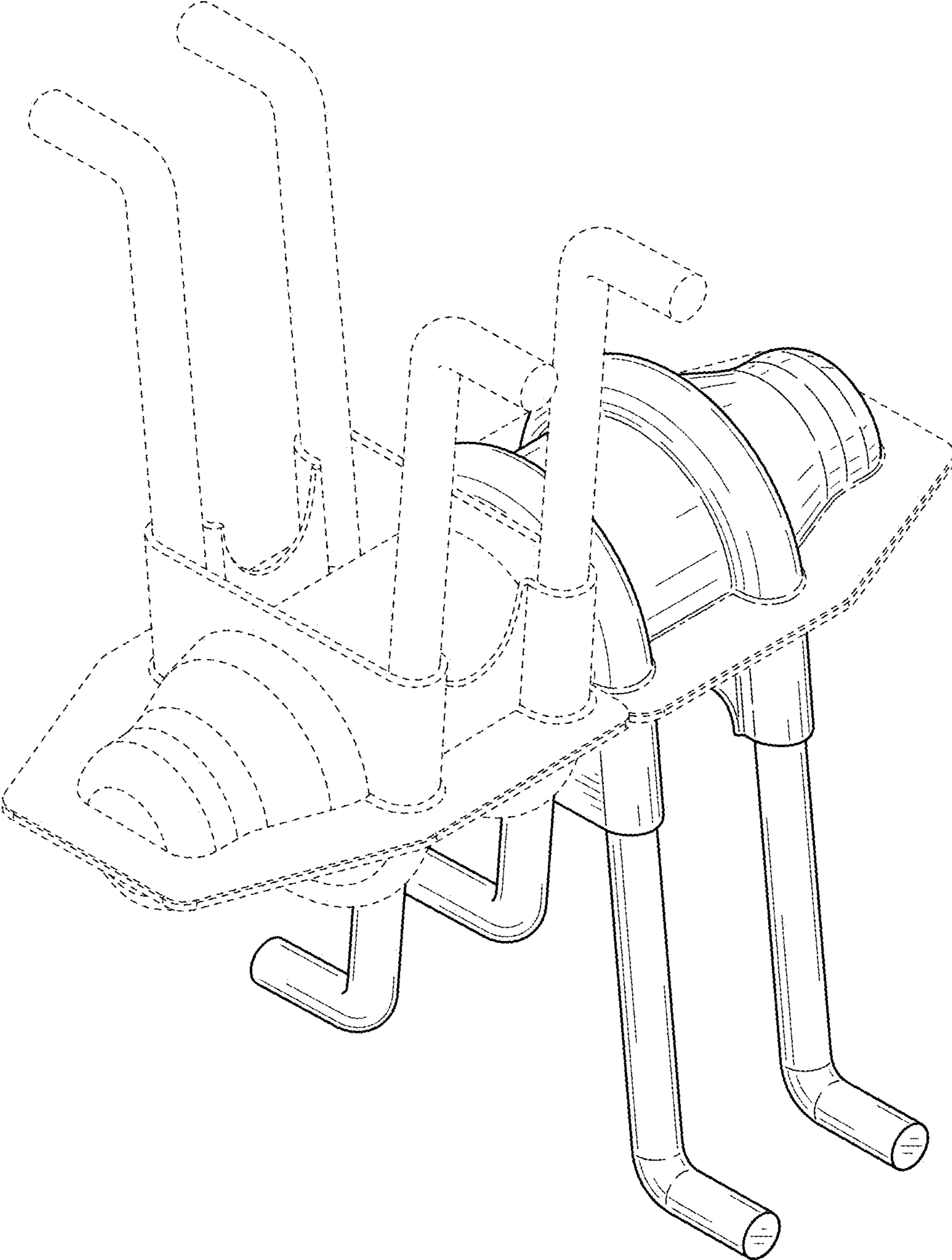


FIG. 1

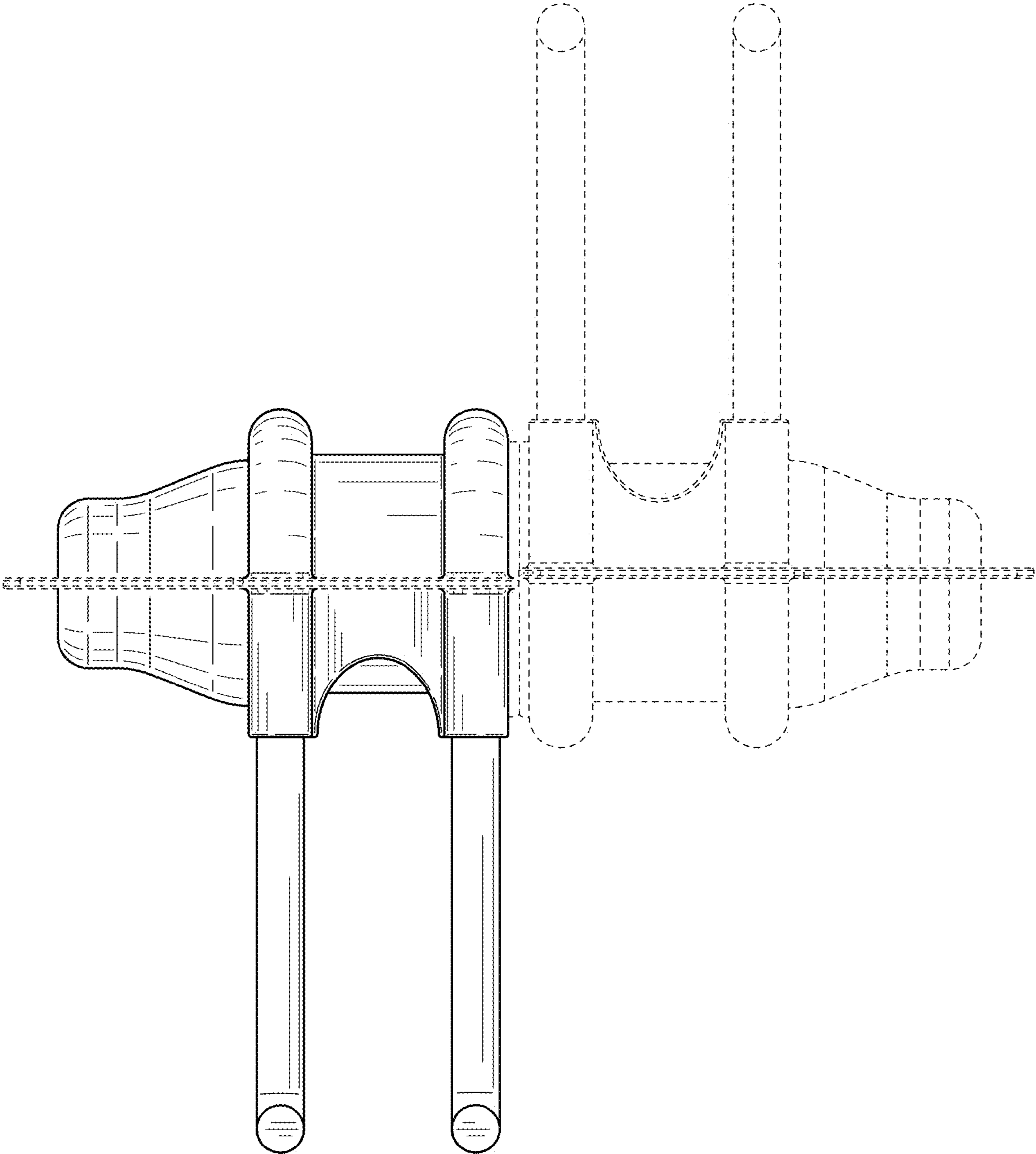


FIG. 2



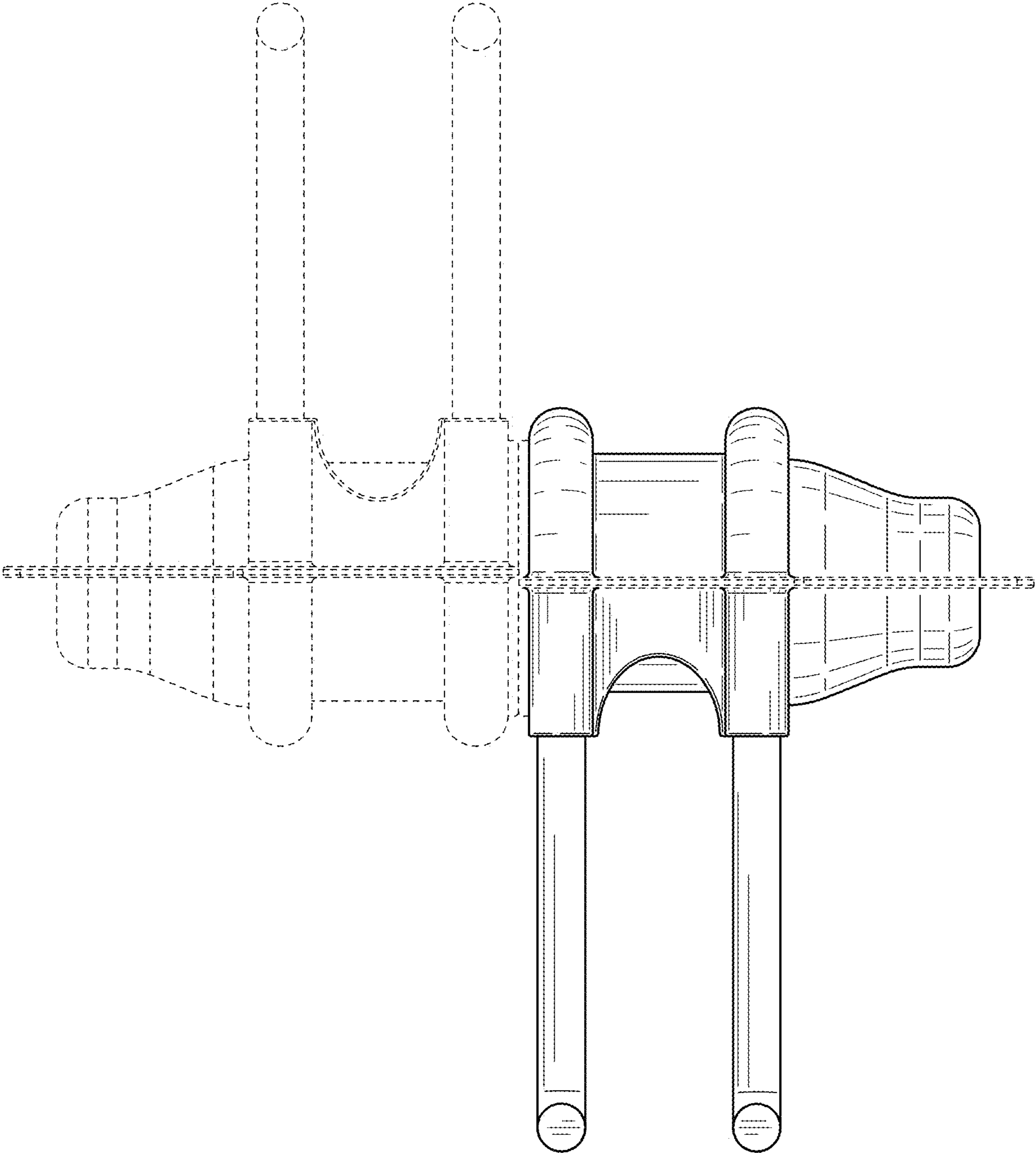


FIG. 3

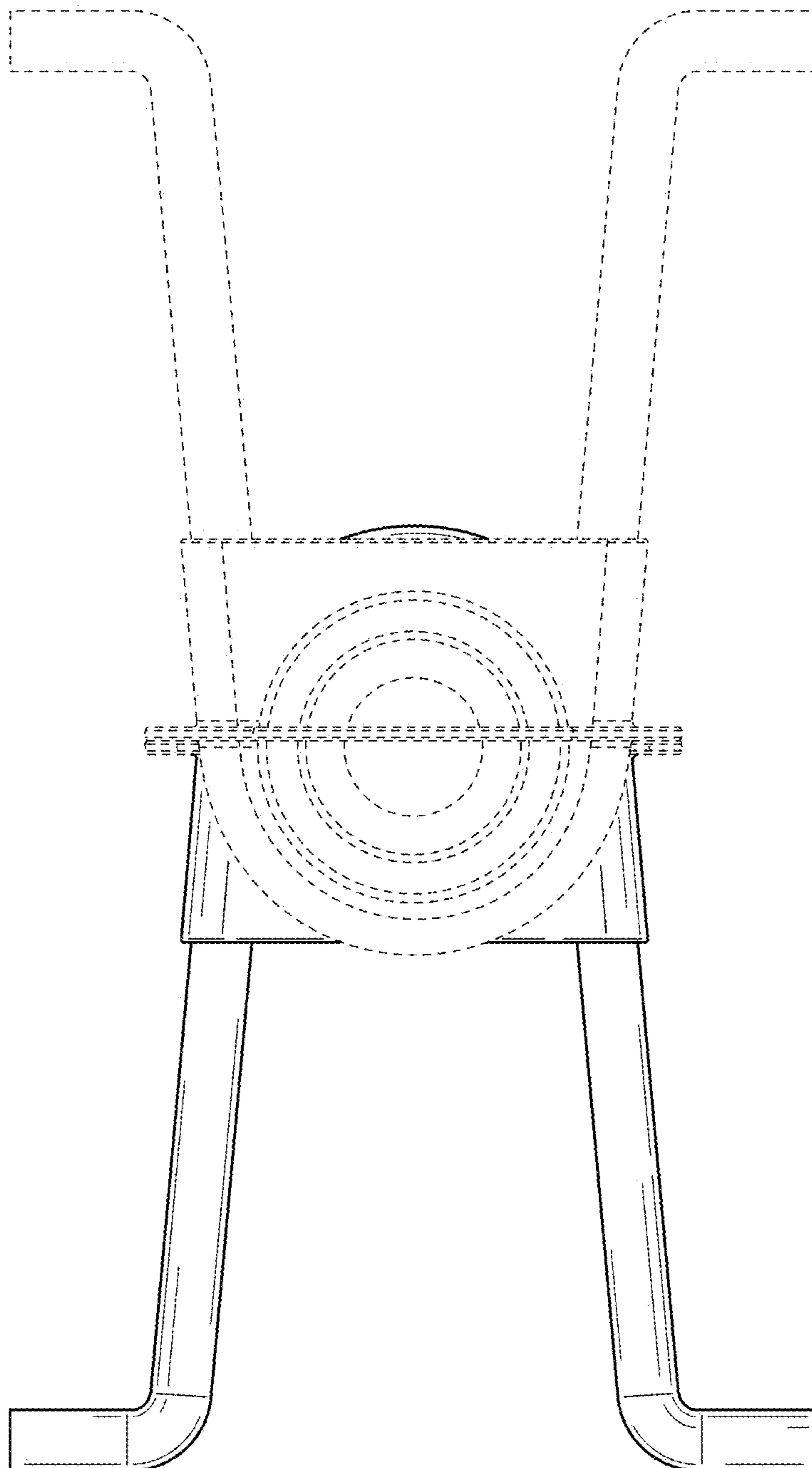


FIG. 4

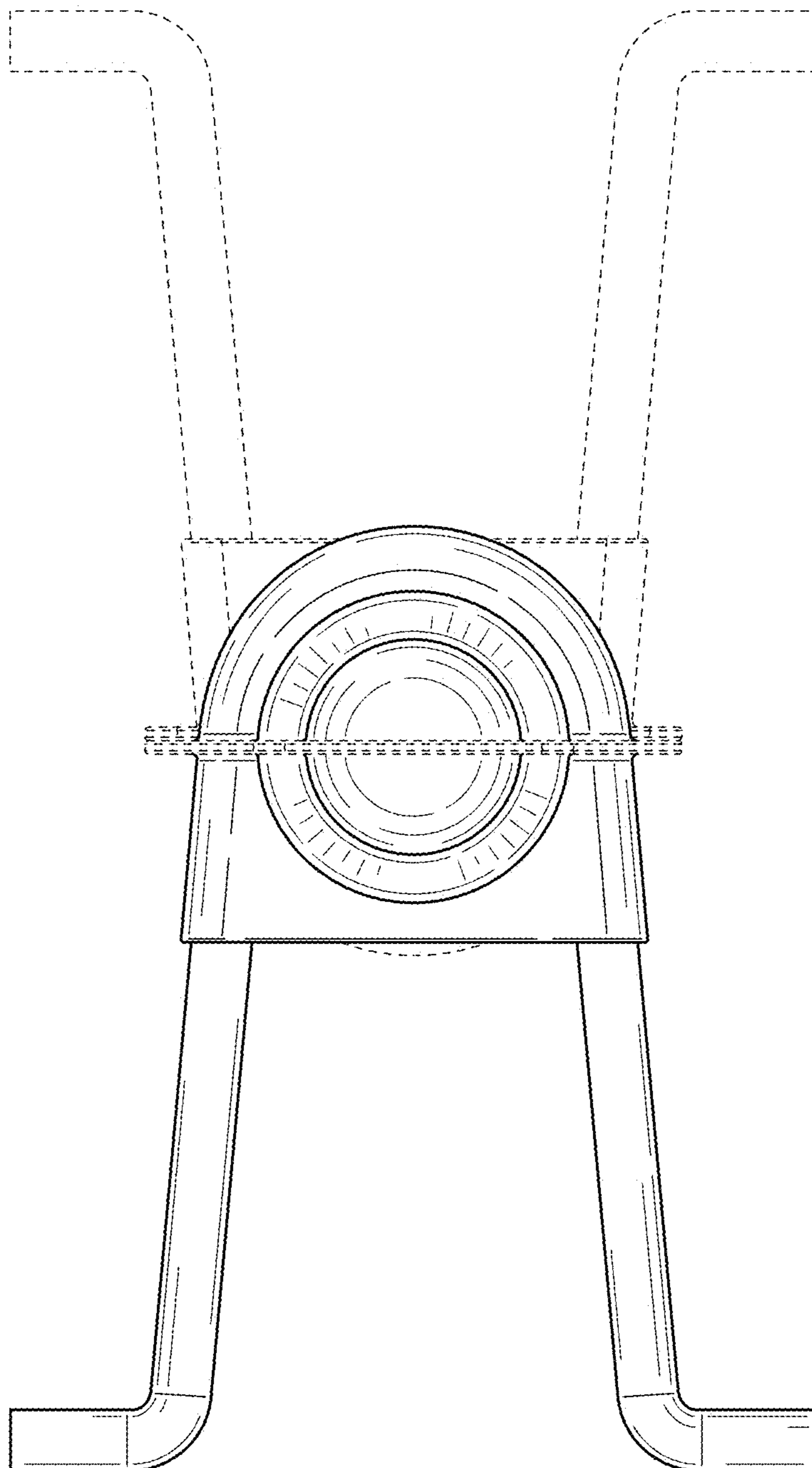


FIG. 5

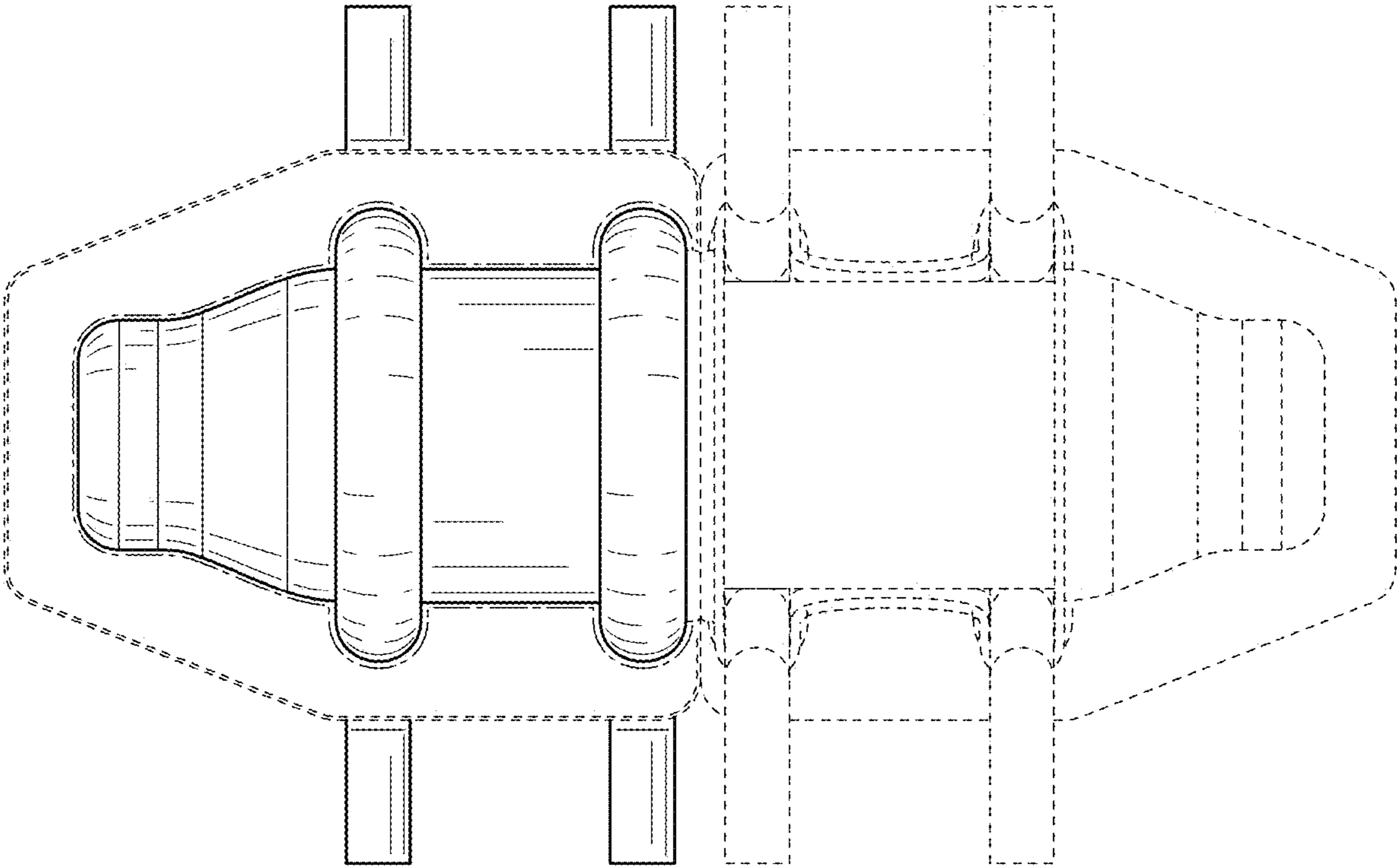


FIG. 6



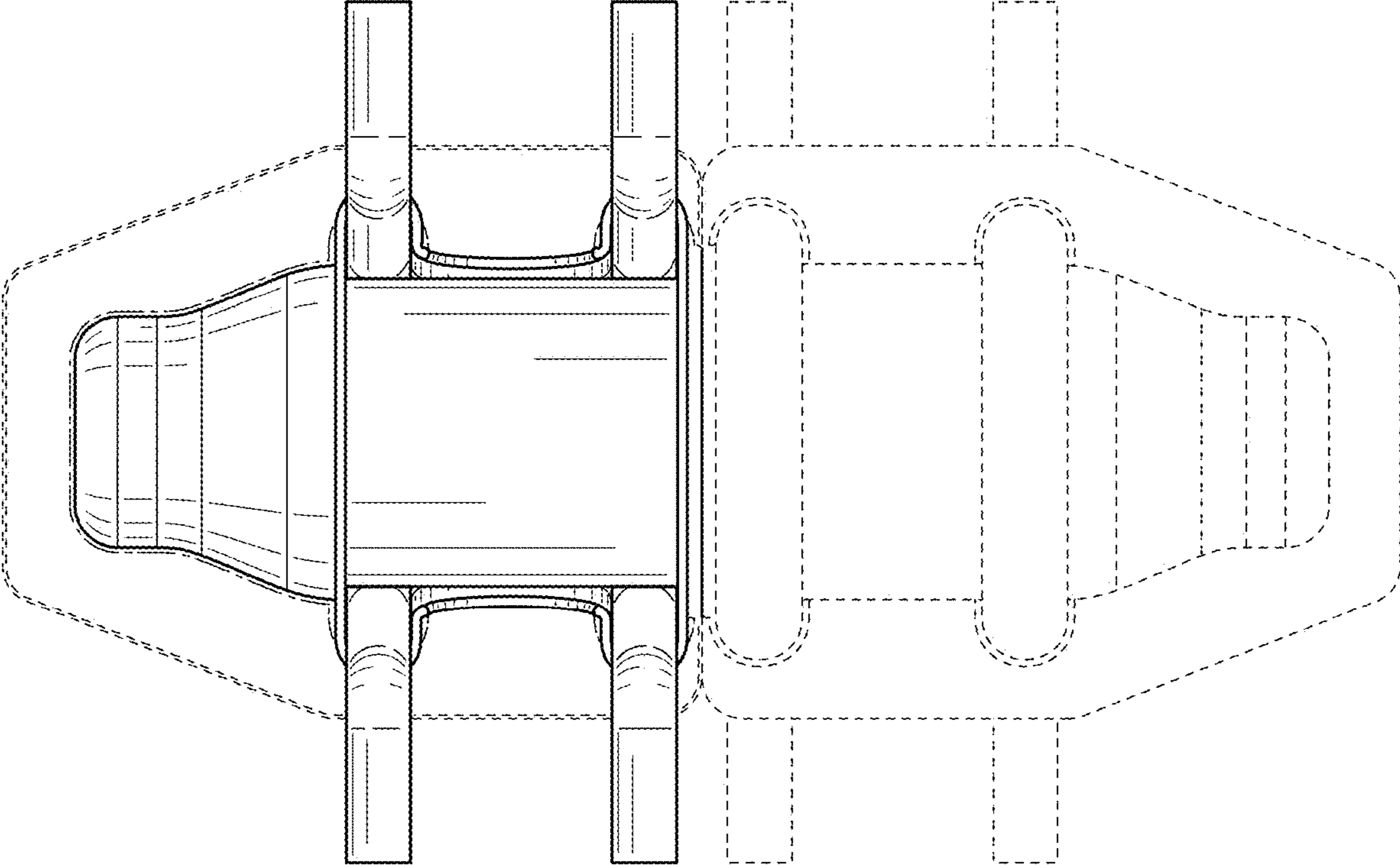


FIG. 7

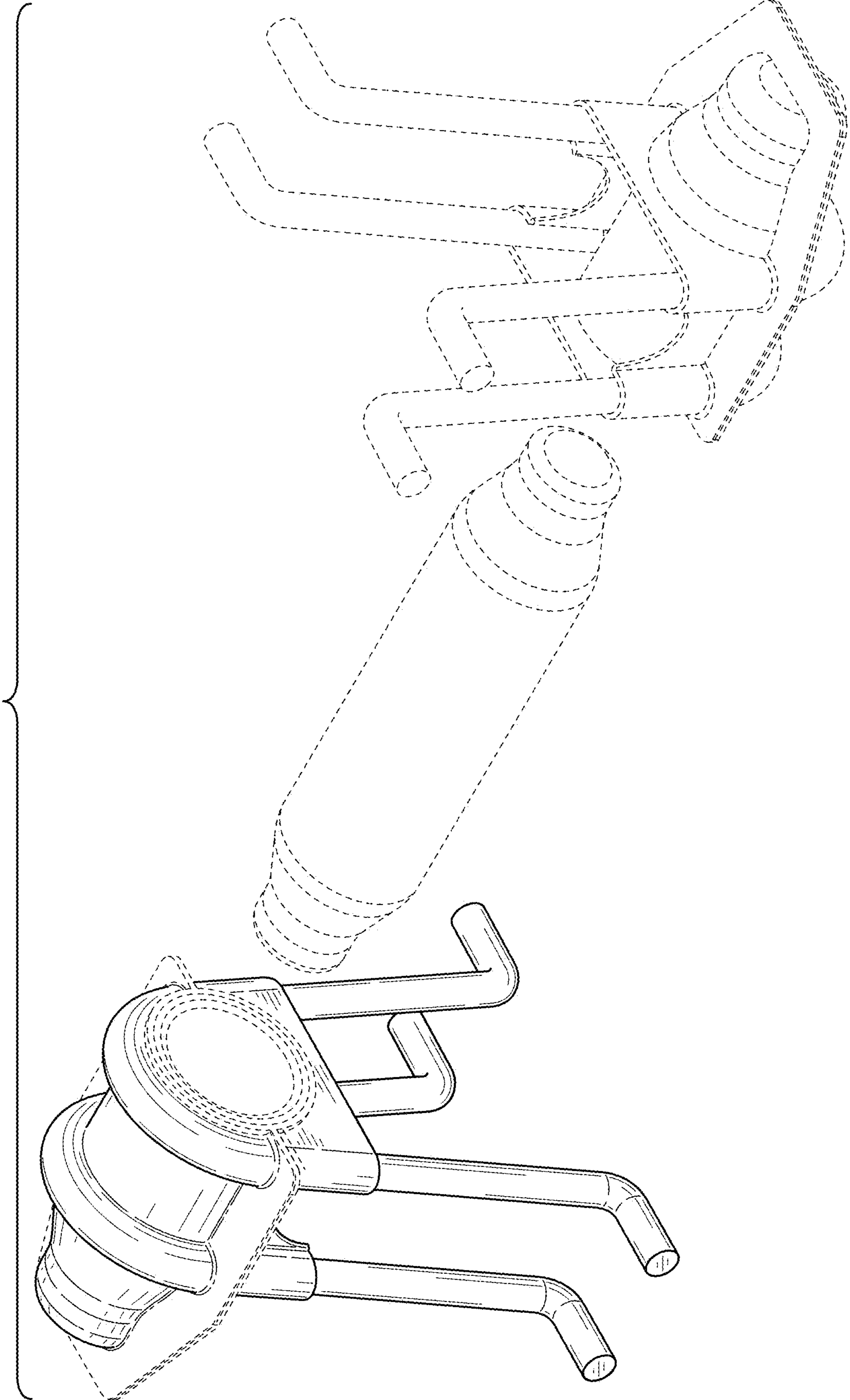


FIG. 8