



US00D976692S

(12) **United States Design Patent**  
**Ye**

(10) **Patent No.:** **US D976,692 S**  
(45) **Date of Patent:** **\*\* Jan. 31, 2023**

(54) **CURVED SHOWER CURTAIN ROD HEAD**

D864,701 S 10/2019 Huang  
D957,516 S \* 7/2022 Jensen ..... D14/452  
D961,670 S \* 8/2022 Jensen ..... D14/452  
D961,671 S \* 8/2022 Jensen ..... D14/452

(71) Applicant: **Zhen Ye**, Ganzhou (CN)

(72) Inventor: **Zhen Ye**, Ganzhou (CN)

(73) Assignee: **Zhen Ye**, Ganzhou (CN)

(\*\*) Term: **15 Years**

(21) Appl. No.: **29/855,475**

(22) Filed: **Oct. 3, 2022**

(51) **LOC (14) Cl.** ..... **08-03**

(52) **U.S. Cl.**  
USPC ..... **D8/376**

(58) **Field of Classification Search**  
USPC ..... D8/354, 16–17, 19, 37, 47, 71, 89, 101,  
D8/363, 373, 376–377, 390–391, 404,  
D8/512, 524, 528, 534, 67; D6/512, 524,  
D6/528, 534, 67; D25/119, 122, 123;  
D12/190, 195, 678, 679, 701, 808, 803  
See application file for complete search history.

(56) **References Cited**

**U.S. PATENT DOCUMENTS**

D752,305 S \* 3/2016 DePietro ..... D8/376  
D801,791 S \* 11/2017 DePietro ..... D8/376

\* cited by examiner

*Primary Examiner* — Khawaja Anwar

(74) *Attorney, Agent, or Firm* — Nitin Kaushik

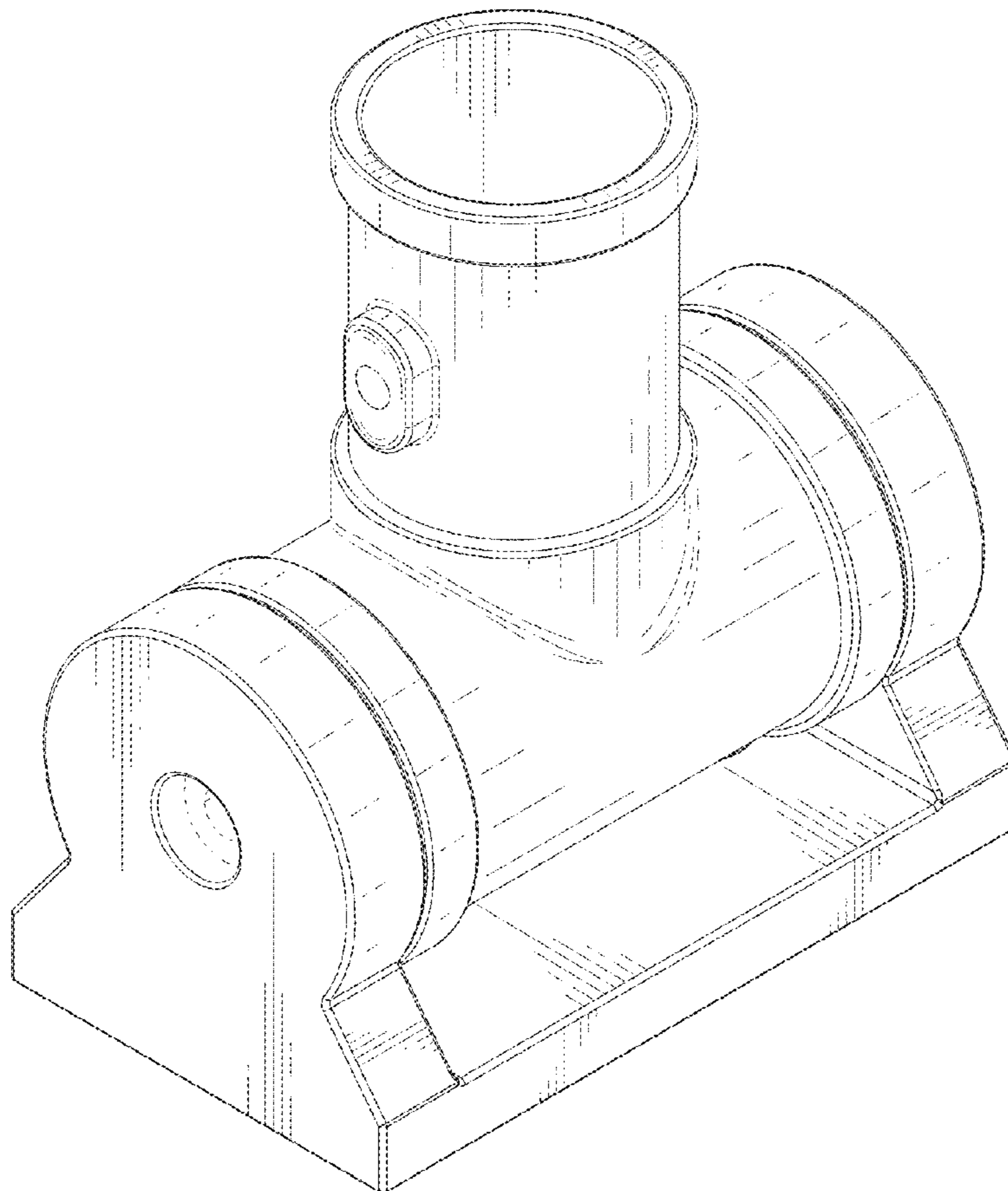
(57) **CLAIM**

The ornamental design for a curved shower curtain rod head, as shown and described.

**DESCRIPTION**

FIG. 1 is a top perspective view of a curved shower curtain rod head, showing my new design; FIG. 2 is a bottom perspective view thereof; FIG. 3 is a front view thereof; FIG. 4 is a rear view thereof; FIG. 5 is a left side view thereof; FIG. 6 is a right side view thereof; FIG. 7 is a top view thereof; and, FIG. 8 is a bottom view thereof. The broken lines in the drawings illustrate the portions of the curved shower curtain rod head, which form no part of the claimed design.

**1 Claim, 8 Drawing Sheets**



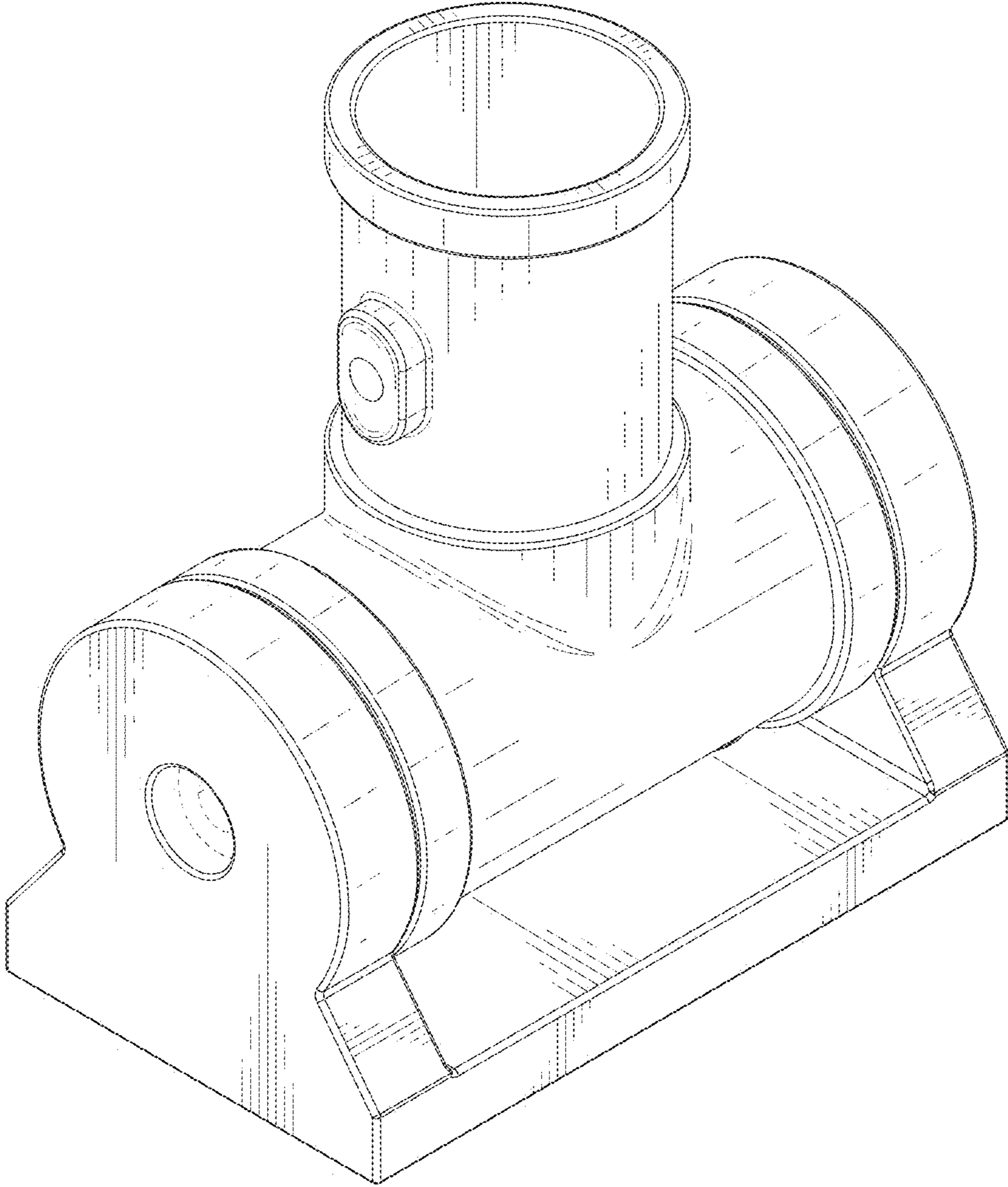


FIG. 1

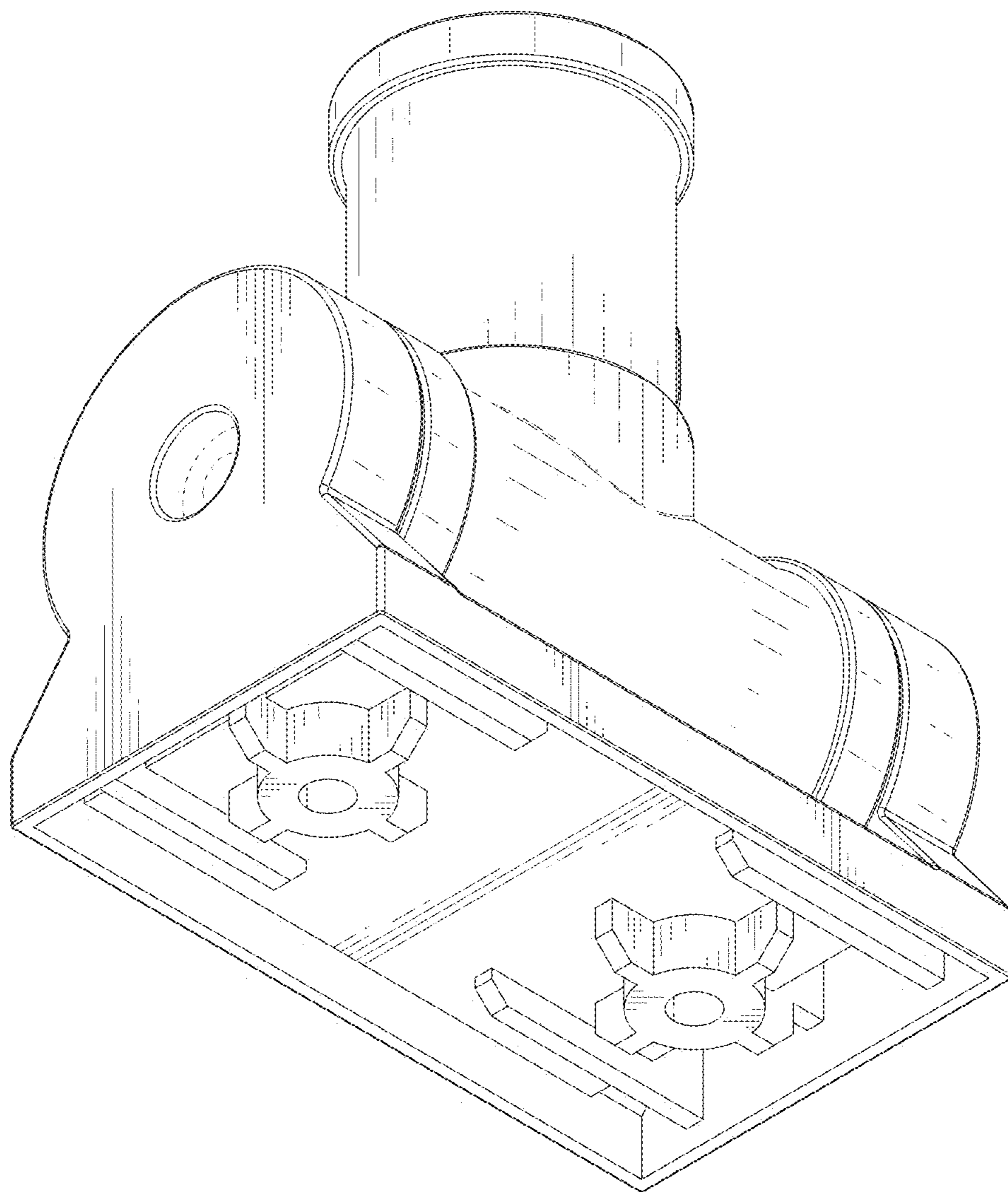


FIG. 2

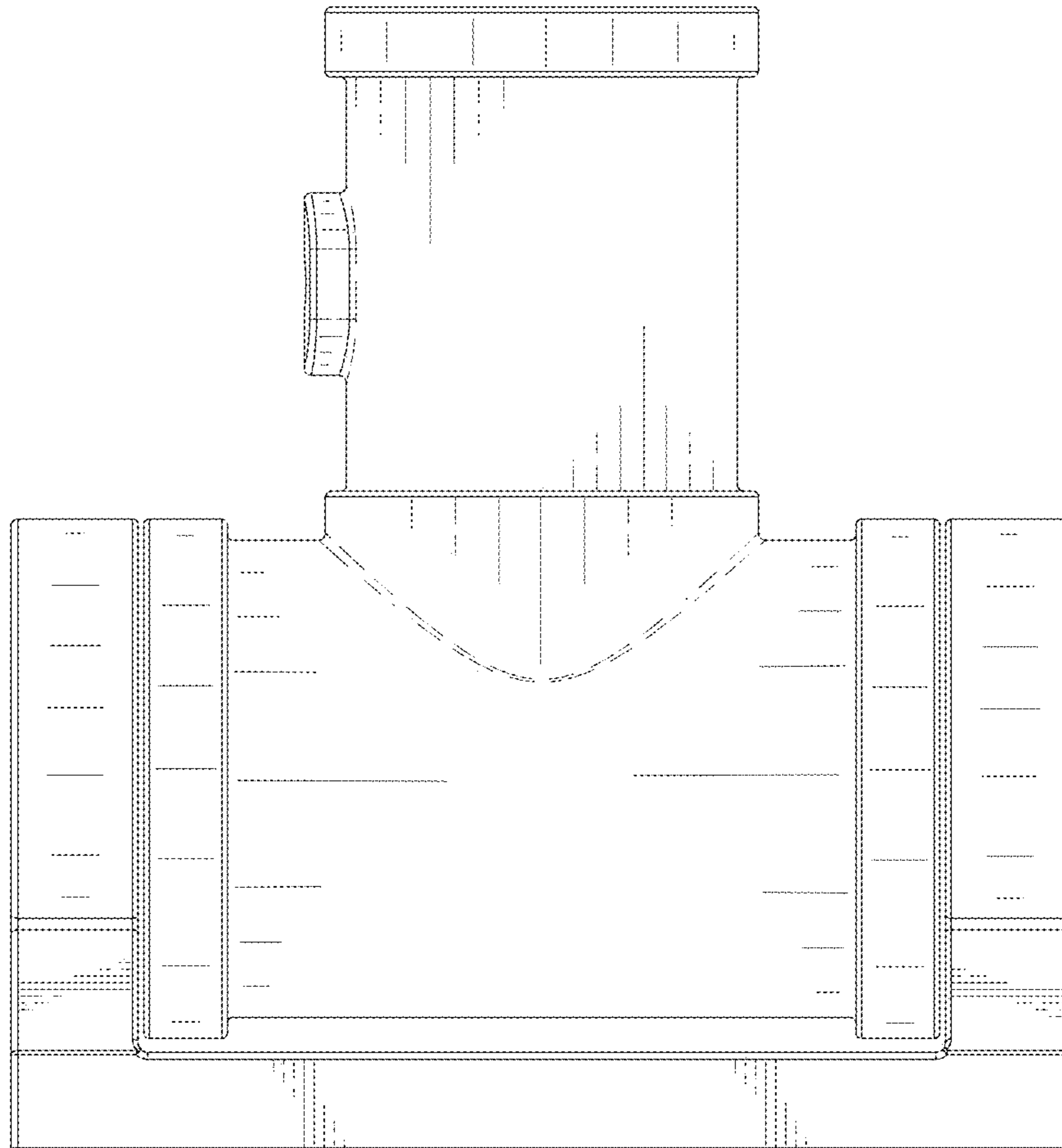


FIG. 3

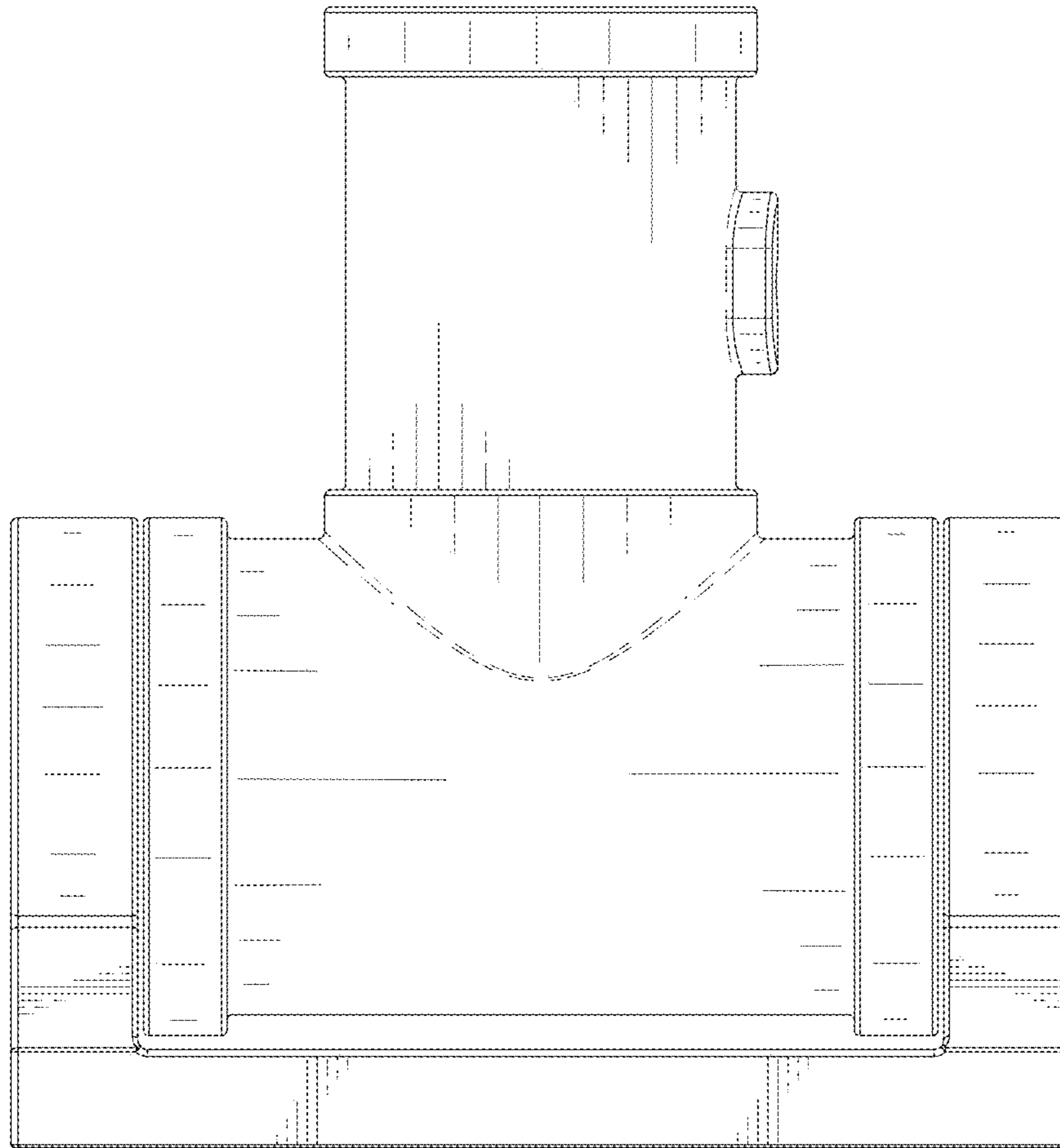


FIG. 4

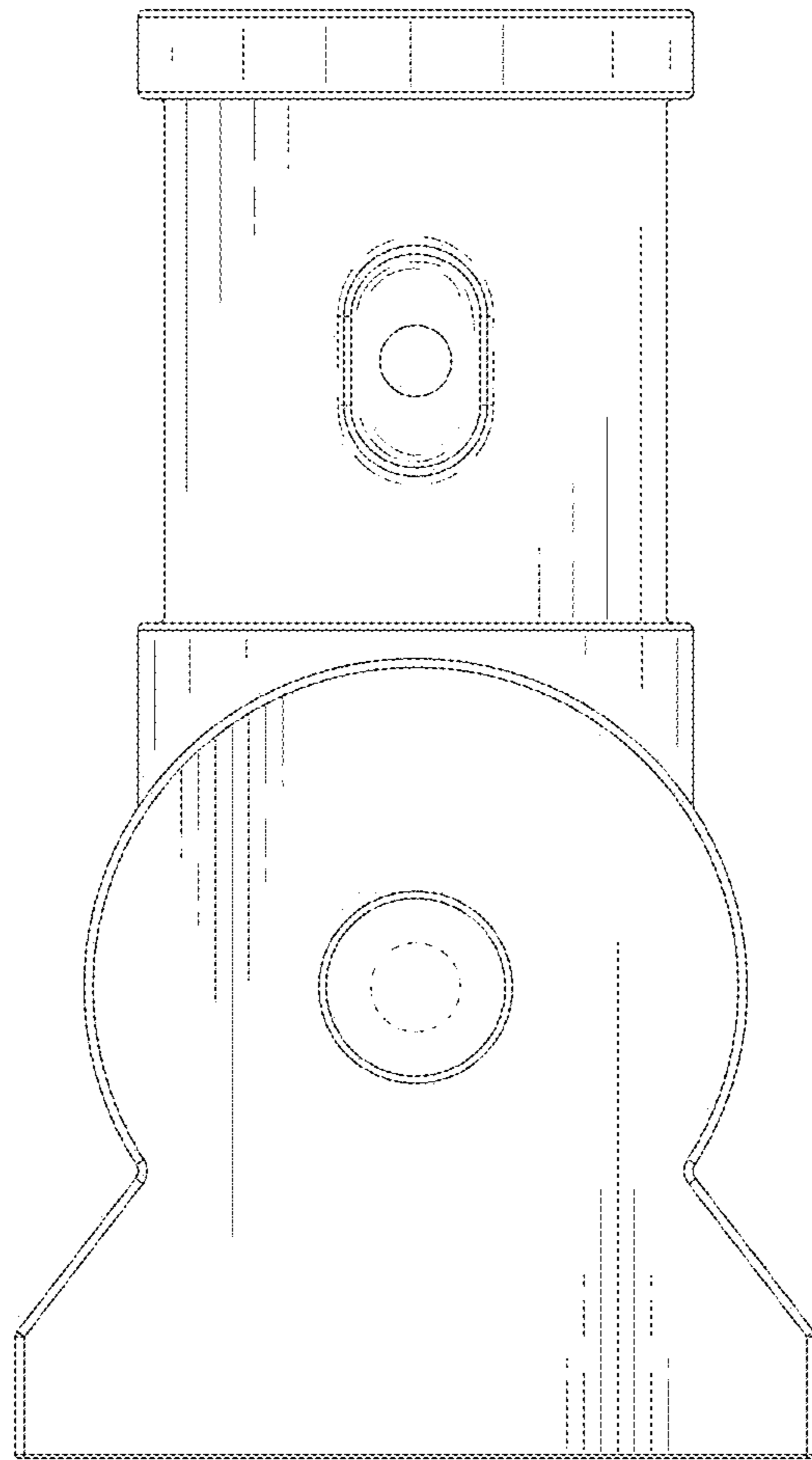


FIG. 5

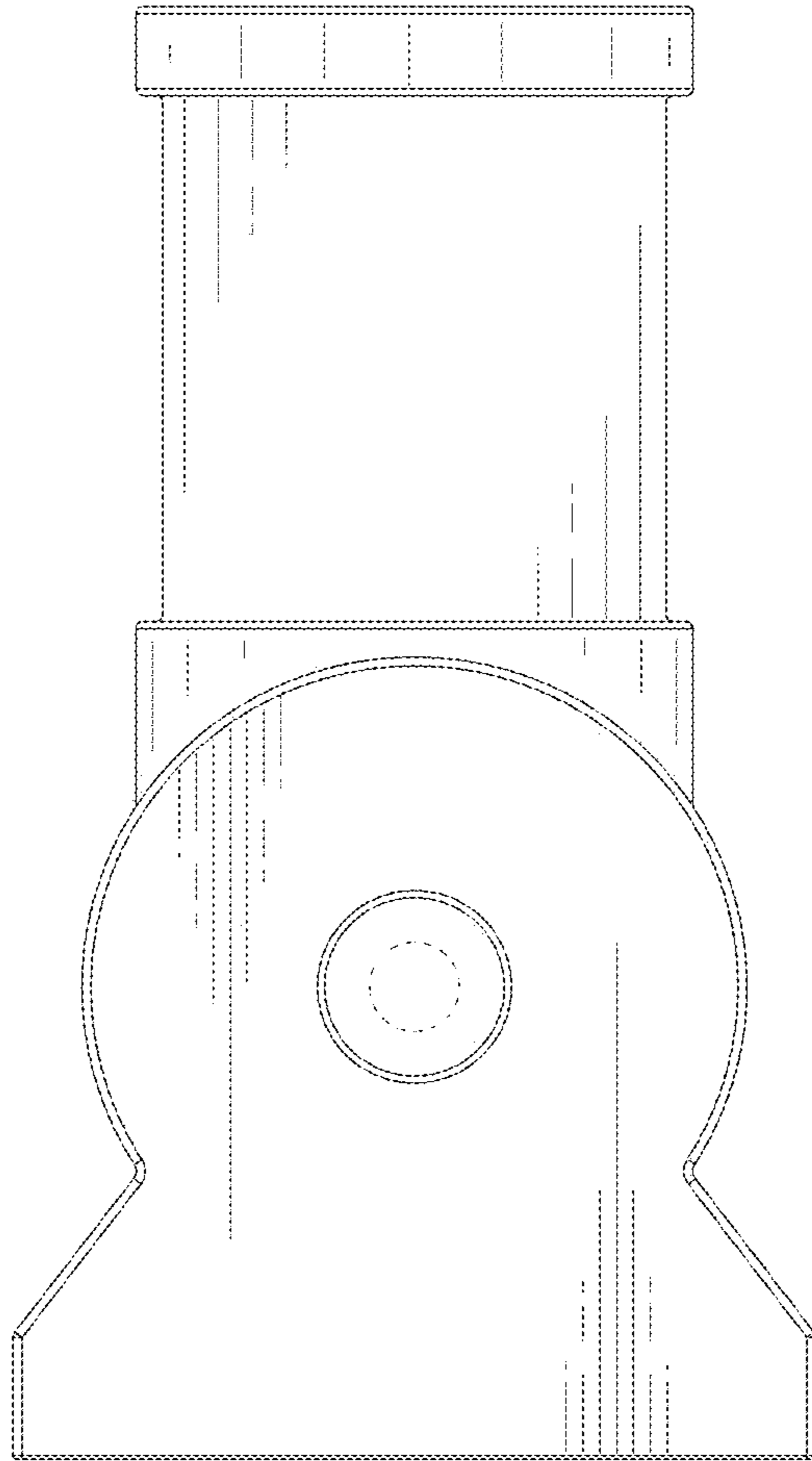


FIG. 6

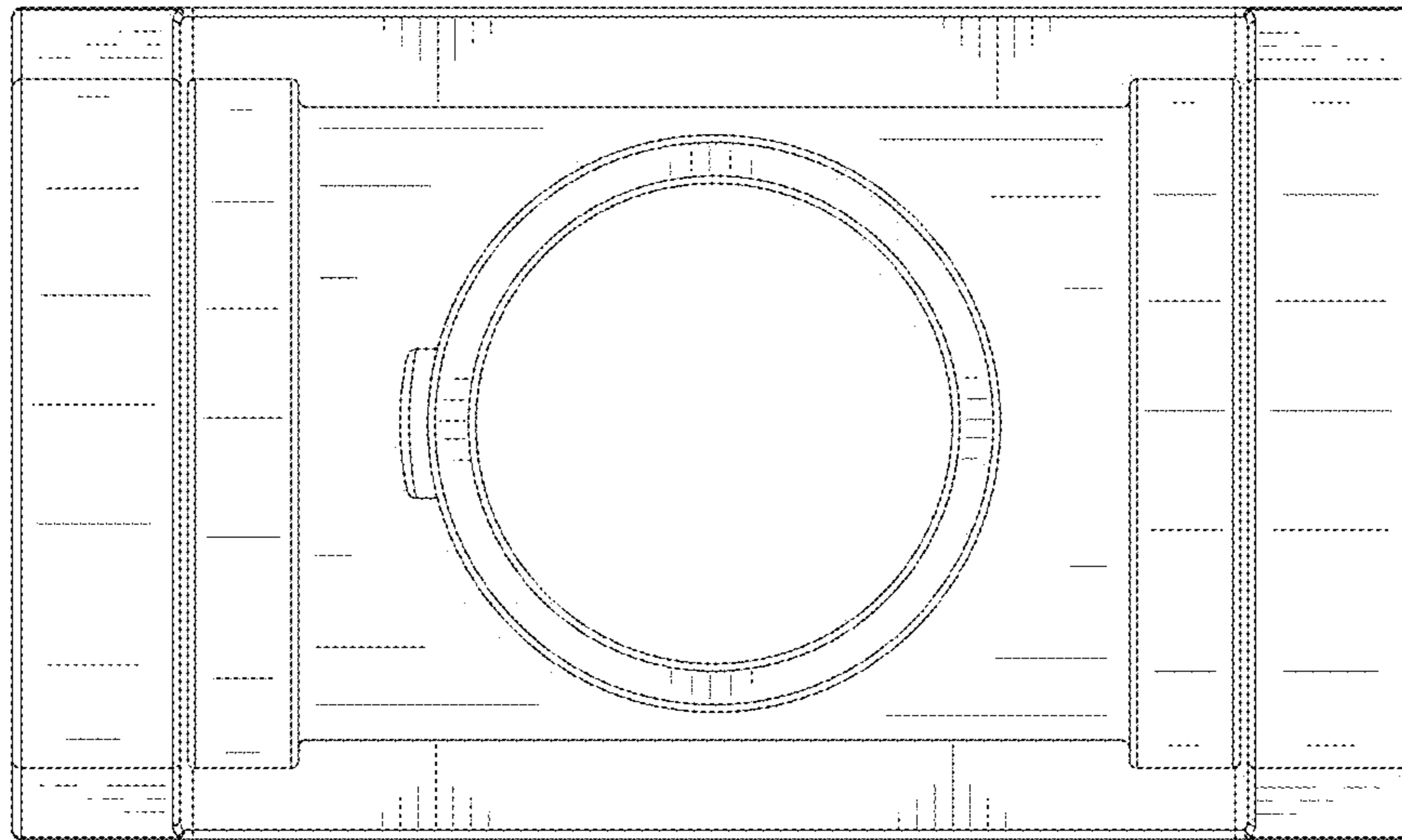


FIG. 7



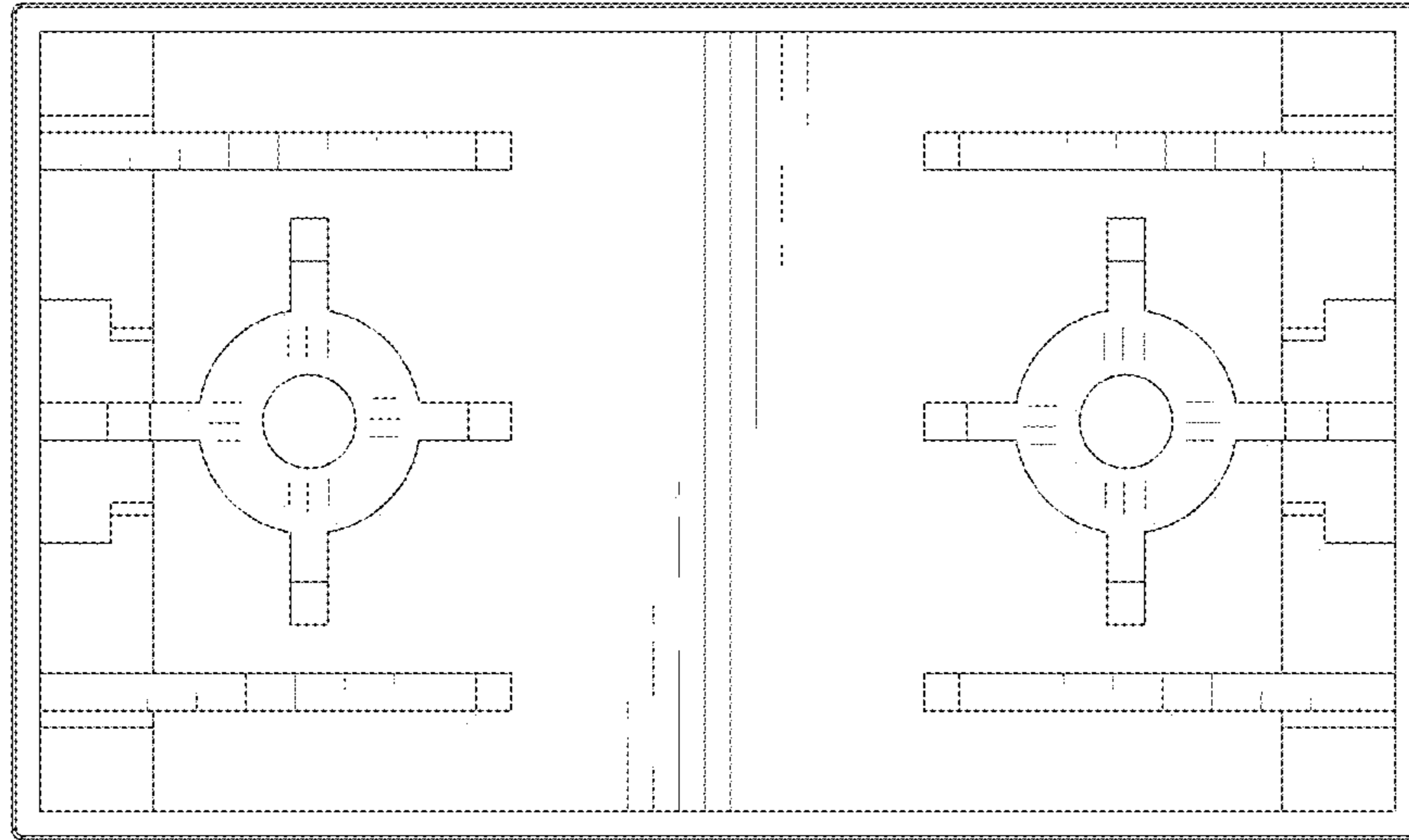


FIG. 8