



US00D976690S

(12) **United States Design Patent**
Peng

(10) **Patent No.:** **US D976,690 S**
(45) **Date of Patent:** **** Jan. 31, 2023**

- (54) **DOUBLE HOOK**
- (71) Applicant: **Jie Peng**, Shaoyang (CN)
- (72) Inventor: **Jie Peng**, Shaoyang (CN)
- (73) Assignee: **Jie Peng**, Shaoyang (CN)
- (**) Term: **15 Years**
- (21) Appl. No.: **29/850,709**
- (22) Filed: **Aug. 23, 2022**
- (30) **Foreign Application Priority Data**
 - Jun. 21, 2022 (CN) 202230381058.0
- (51) **LOC (14) Cl.** **08-11**
- (52) **U.S. Cl.**
 - USPC **D8/372; D8/367**
- (58) **Field of Classification Search**
 - USPC D8/367, 354, 349, 373, 356, 372;
D6/323; 248/301-304, 339
 - CPC . A47G 1/00; A47G 25/00; A47G 1/17; A47G
29/083; F16B 47/003
 - See application file for complete search history.

- (56) **References Cited**
 - U.S. PATENT DOCUMENTS
 - 4,114,241 A * 9/1978 Bisping F16L 3/13
248/68.1
 - 4,403,759 A * 9/1983 Hicks F16L 3/18
248/901
 - D368,932 S * 4/1996 Mussalo D19/83
 - D399,727 S * 10/1998 Richter D8/380
 - 5,884,695 A * 3/1999 Brownlee F28F 19/00
122/DIG. 13
 - D430,005 S * 8/2000 Stearns D8/380
 - D436,522 S * 1/2001 Neider D8/380
 - D462,447 S * 9/2002 Doyle D24/190
 - D618,985 S * 7/2010 Sjoqvist D8/356

- D713,947 S * 9/2014 Jensen D8/380
- D715,623 S * 10/2014 Holtby D8/356
- 8,910,803 B2 * 12/2014 Holtby F16L 3/2235
211/70.4
- D739,221 S * 9/2015 Sendra-Gonzalez .. F16M 11/00
D8/394
- D814,906 S * 4/2018 Pine D8/349
- D840,787 S * 2/2019 Pine D8/349
- D840,795 S * 2/2019 Tribbett B65D 63/109
D8/356
- D841,430 S * 2/2019 Pine D8/349
- D856,119 S * 8/2019 McGugan D8/356
- D885,873 S * 6/2020 Deng D8/367
- D915,873 S * 4/2021 Phy D8/394
- D926,022 S * 7/2021 Luhrmann D8/356
- D938,816 S * 12/2021 Byerly D8/396
- D942,256 S * 2/2022 Christiansen D8/394
- D950,367 S * 5/2022 Elliott D8/372
- D957,919 S 7/2022 Bredl et al.
- D964,550 S * 9/2022 Hall, Jr. D24/110.1
- D966,081 S * 10/2022 Li D8/356
- 2006/0131469 A1 * 6/2006 Roy F16L 1/10
248/346.03

(Continued)

Primary Examiner — Cynthia R Underwood
(74) *Attorney, Agent, or Firm* — Nitin Kaushik

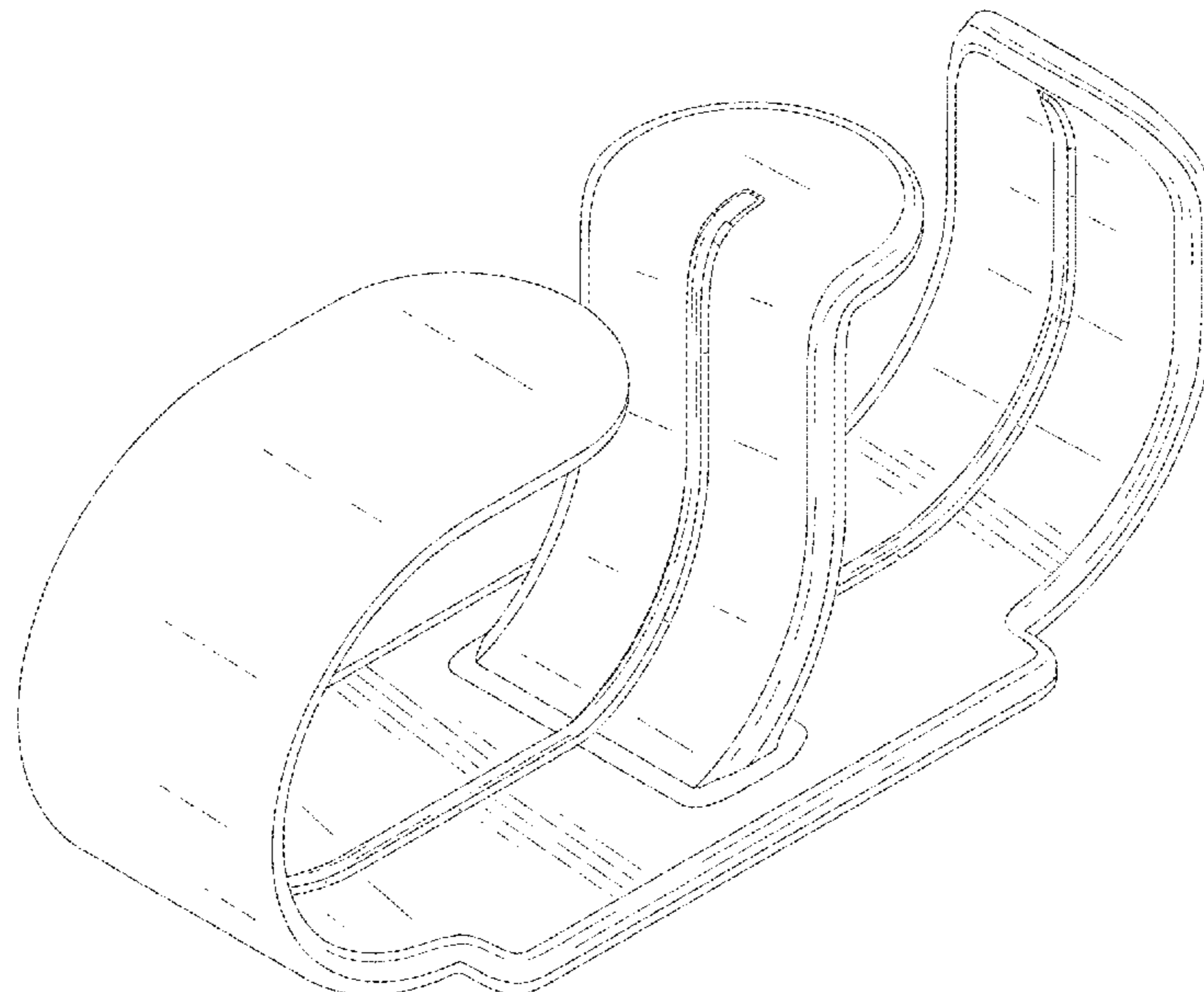
(57) **CLAIM**

The ornamental design for a double hook, as shown and described.

DESCRIPTION

FIG. 1 is a front perspective view of a double hook, showing my new design;
FIG. 2 is a front view thereof;
FIG. 3 is a rear view thereof;
FIG. 4 is a left side view thereof;
FIG. 5 is a right side view thereof;
FIG. 6 is a bottom view thereof; and,
FIG. 7 is a top view thereof.

1 Claim, 7 Drawing Sheets



(56)

References Cited

U.S. PATENT DOCUMENTS

2008/0054143 A1* 3/2008 Collins F16L 3/02
248/227.2
2008/0121763 A1* 5/2008 Mori H02G 3/32
248/68.1
2016/0221715 A1* 8/2016 Pratt B65D 19/0002

* cited by examiner

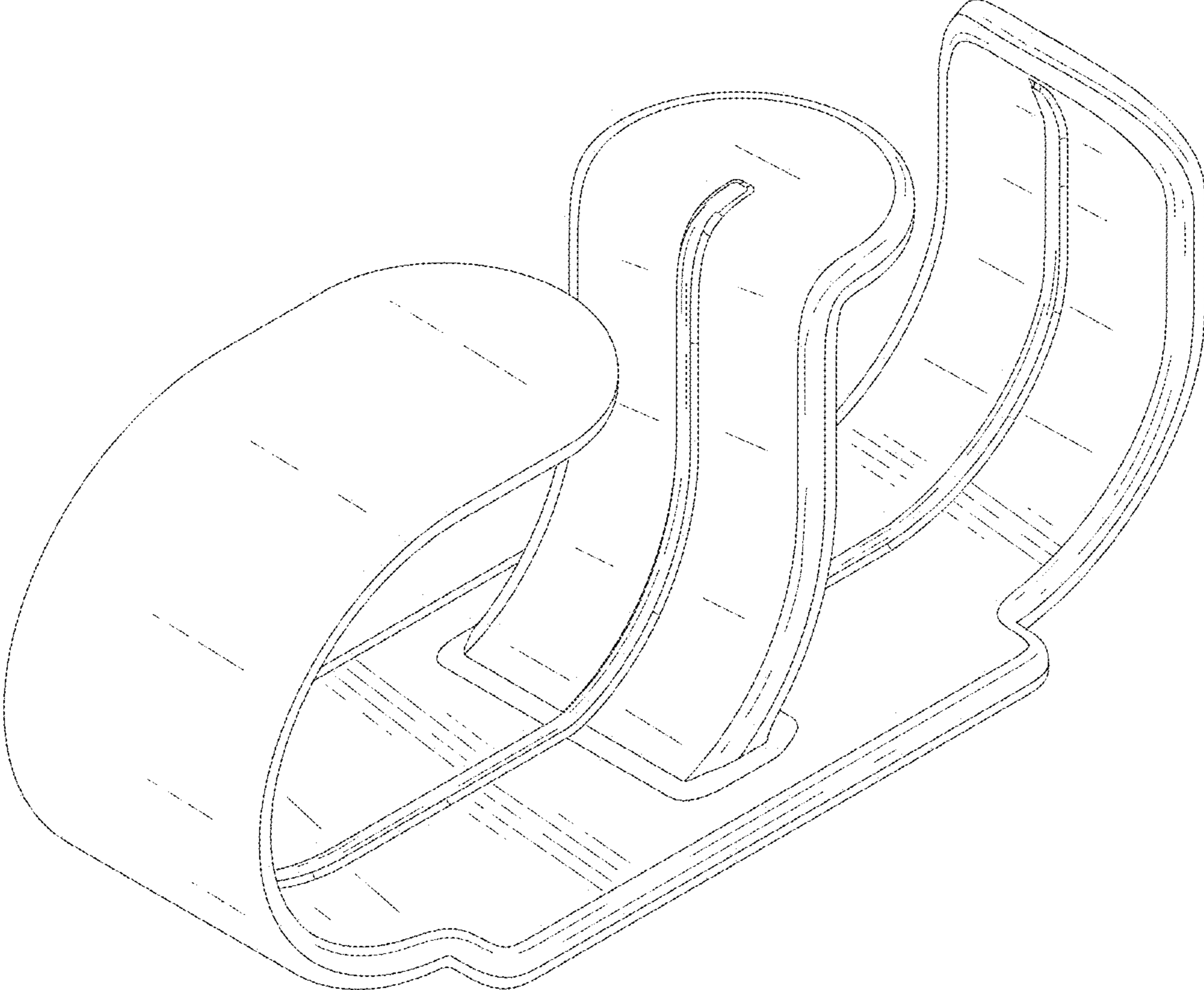


FIG.1

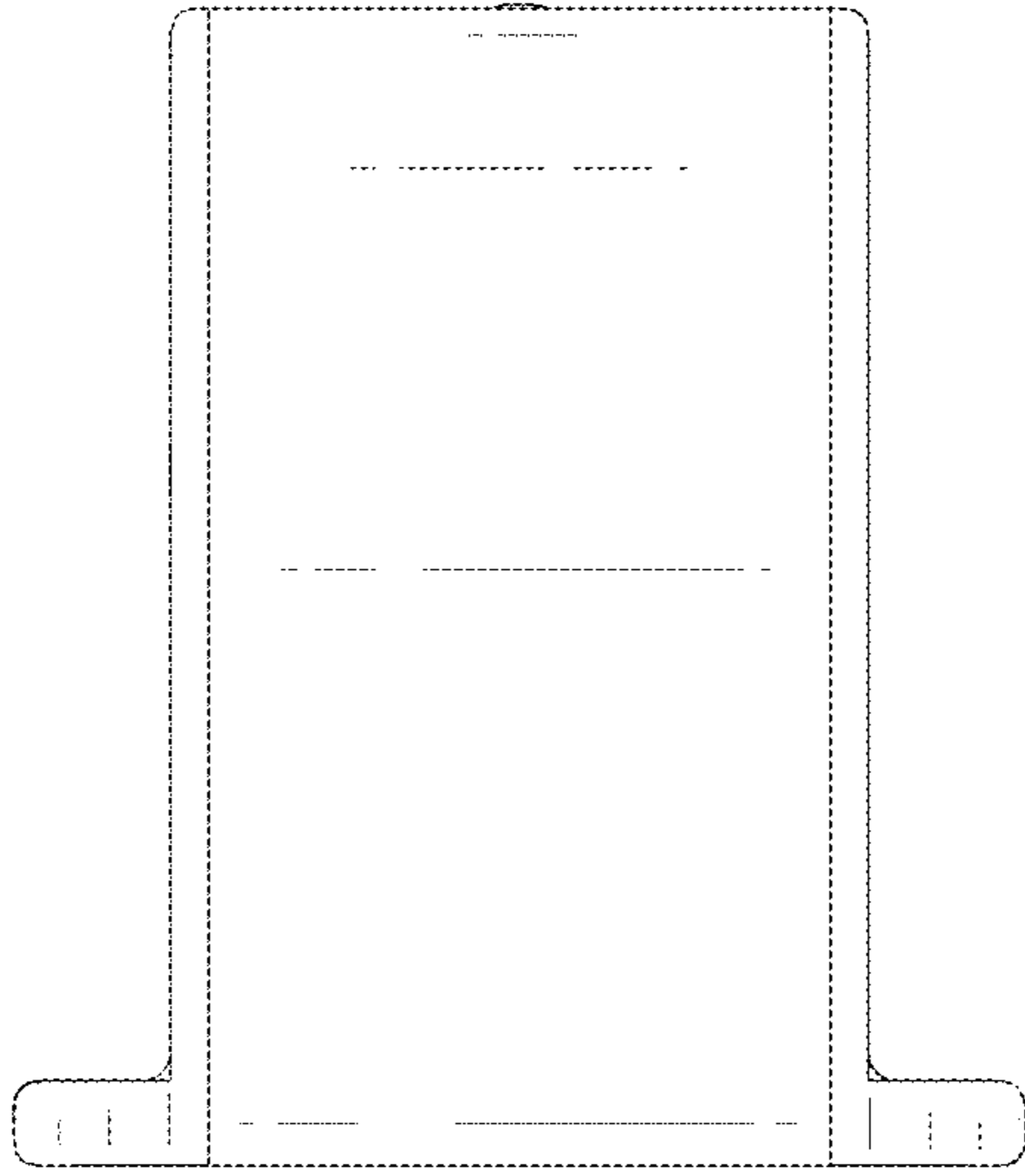


FIG.2

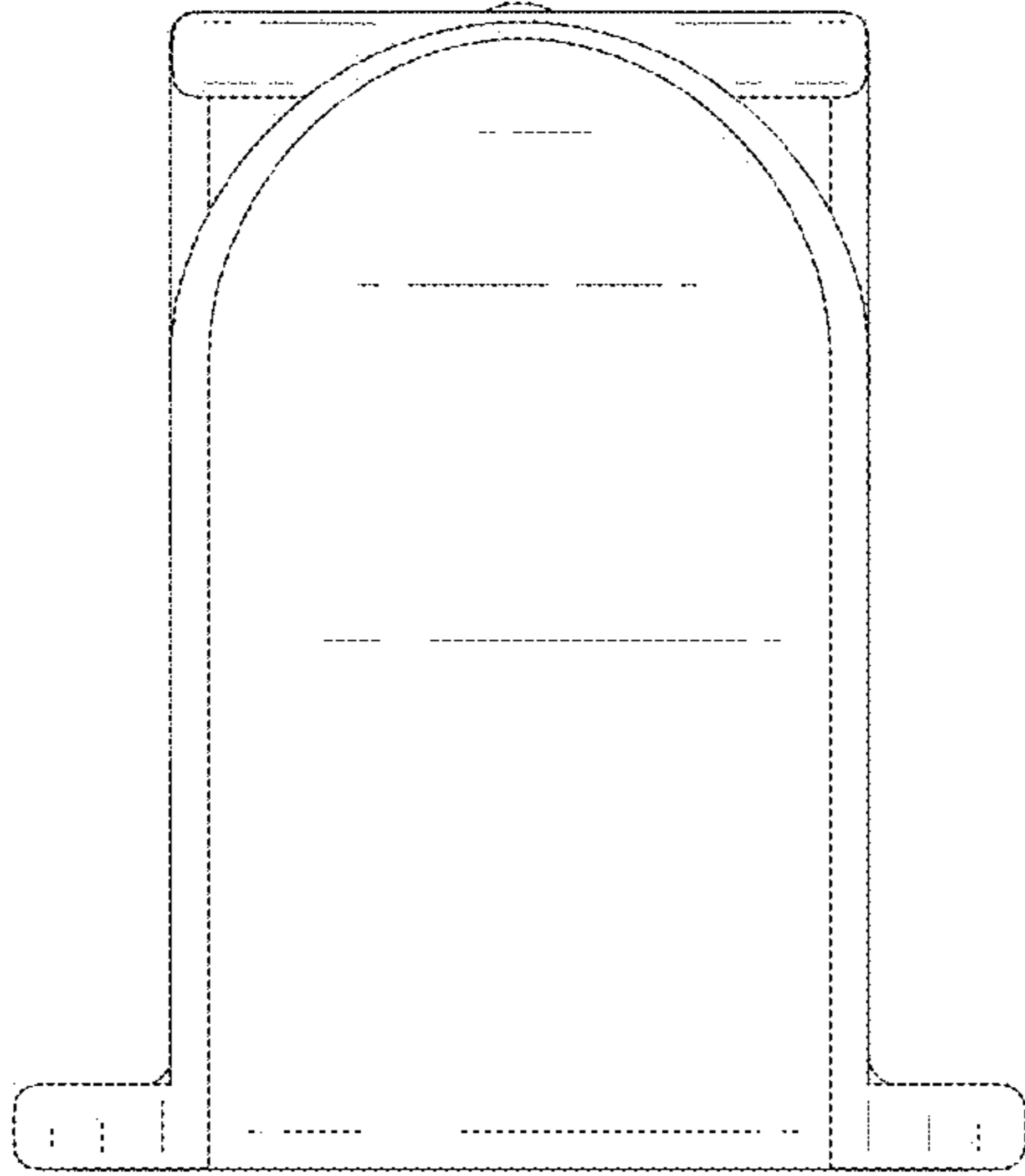


FIG.3

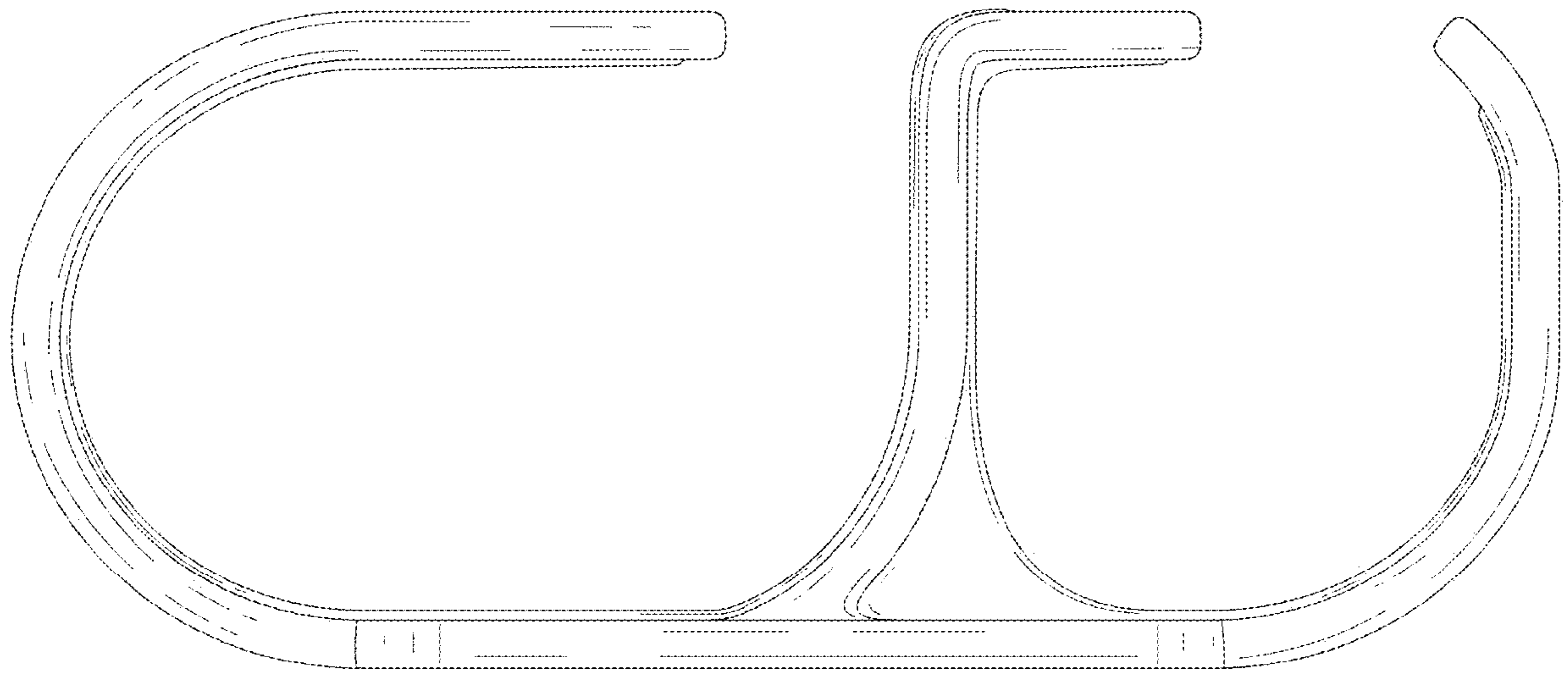


FIG.4

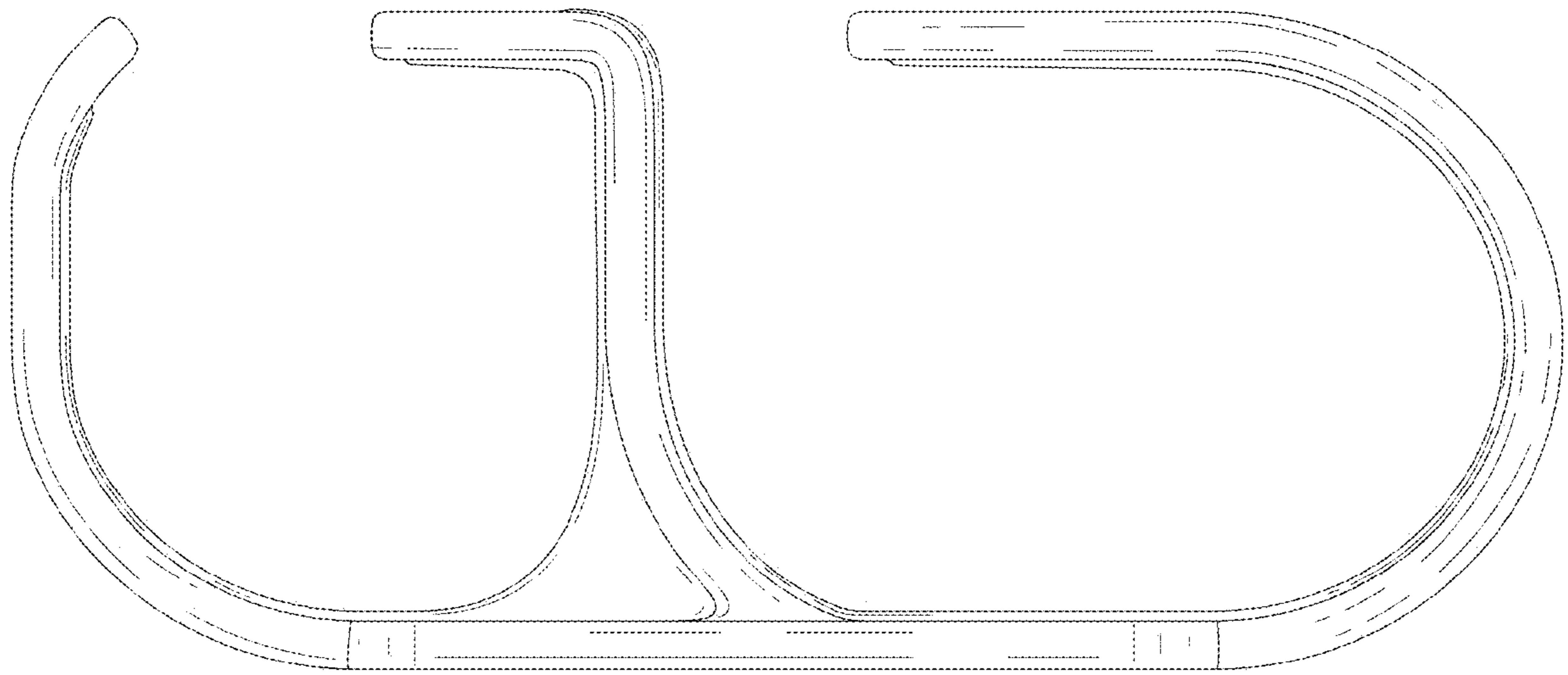


FIG.5

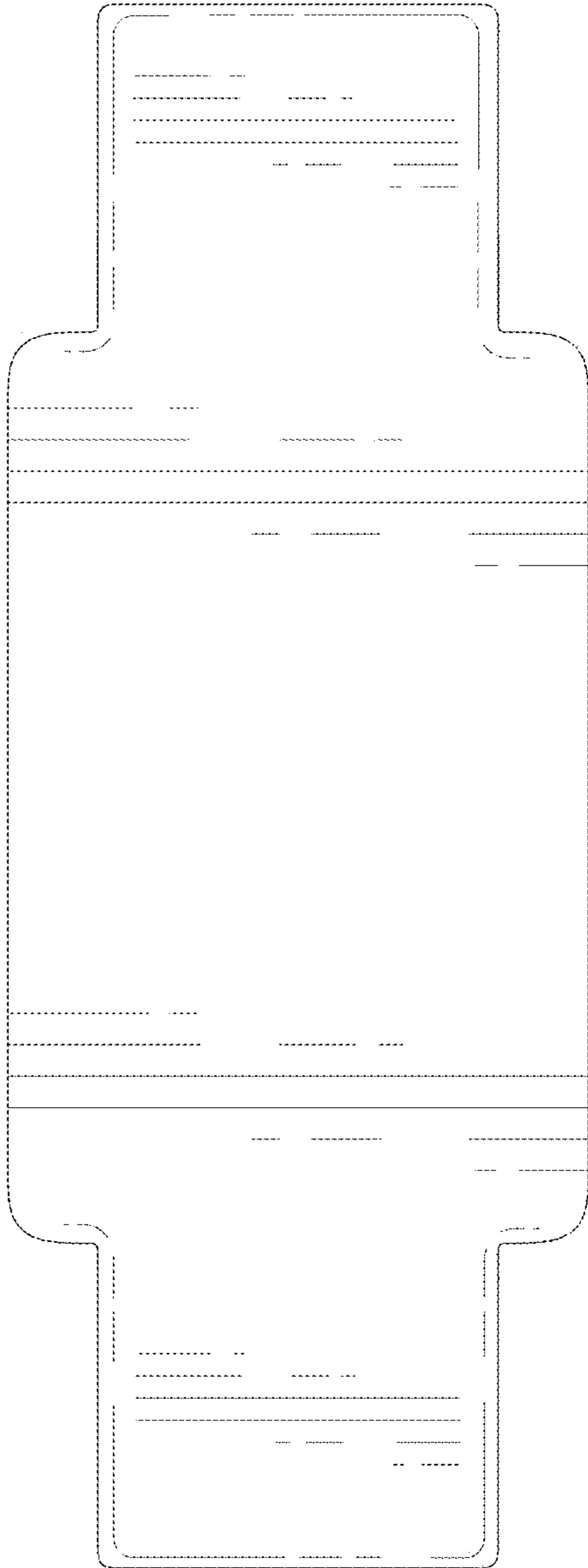


FIG.6

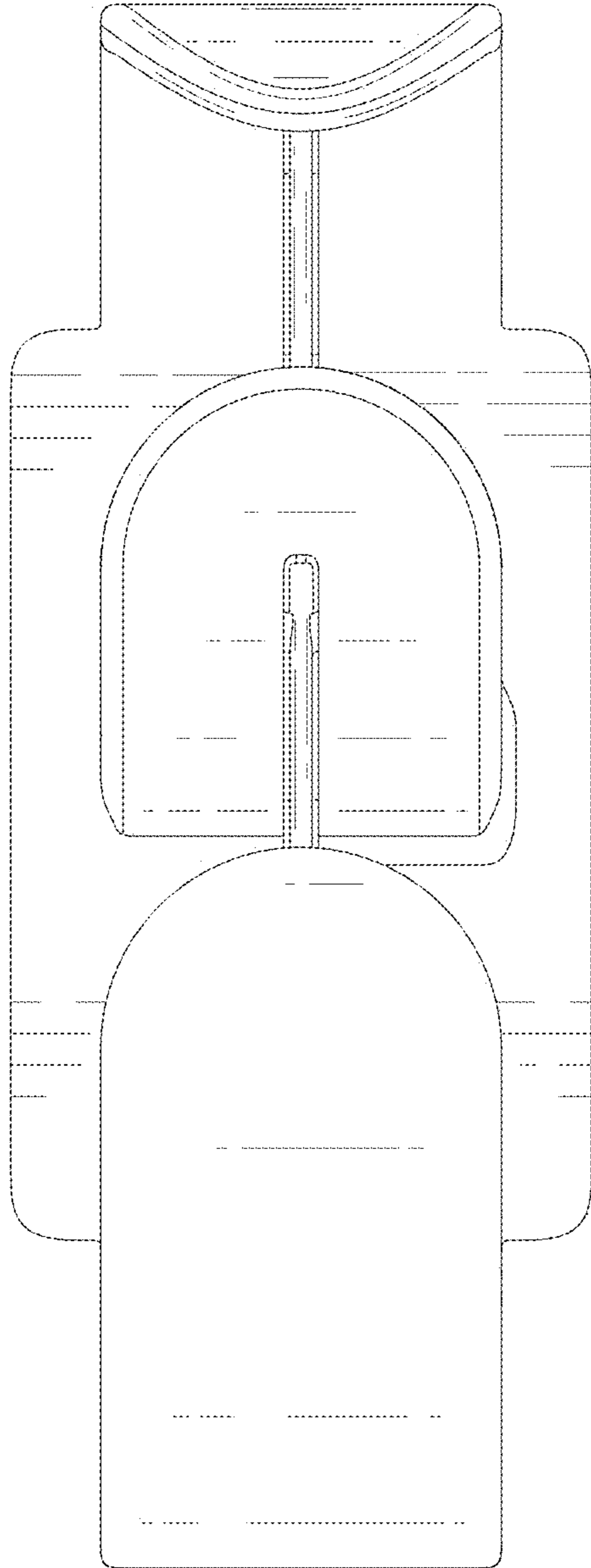


FIG.7