



US00D976689S

(12) **United States Design Patent** (10) **Patent No.:** **US D976,689 S**
Peng (45) **Date of Patent:** **** Jan. 31, 2023**

(54) **HOOK RACK**

FOREIGN PATENT DOCUMENTS

(71) Applicant: **Ling Peng**, Shenzhen (CN)

CN 202130841056.0 * 7/2022
GB 6182485 * 12/2021

(72) Inventor: **Ling Peng**, Shenzhen (CN)

(73) Assignee: **Ling Peng**, Shenzhen (CN)

(**) Term: **15 Years**

(21) Appl. No.: **29/820,009**

(22) Filed: **Dec. 20, 2021**

(51) **LOC (14) Cl.** **08-11**

(52) **U.S. Cl.**
USPC **D8/372**

(58) **Field of Classification Search**
USPC D8/372-373, 375, 354, 366-368,
D8/380-382; D24/183-174; D6/315,
D6/320, 323, 328

CPC B60B 33/00; B60B 33/0002; B60B 33/08;
B60B 33/0028; A47G 1/065; A47G 1/12;
A47G 25/06; A47G 25/0607; A47G
25/0678; A47G 29/08; A47F 5/0006

See application file for complete search history.

(56) **References Cited**

U.S. PATENT DOCUMENTS

D465,998 S	11/2002	Goodman	
D694,097 S	* 11/2013	Hammer	D8/372
D695,095 S	* 12/2013	Krumpe	D8/372
D695,096 S	* 12/2013	Hammer	D8/372
D696,571 S	* 12/2013	Lai	D8/367
D698,230 S	* 1/2014	Hammer	D8/372
D700,044 S	* 2/2014	Goodman	D8/367
D701,449 S	* 3/2014	Xiao	D8/373
D706,615 S	* 6/2014	Schraufnagel	D8/371
D707,114 S	* 6/2014	Schraufnagel	D8/371
D707,541 S	* 6/2014	Goodman	D8/372
D732,300 S	* 6/2015	Urbanski	D8/372
D737,125 S	* 8/2015	Callif	D8/372
D759,470 S	* 6/2016	Pan	D8/372
D764,264 S	* 8/2016	Goodman	D8/372
D787,922 S	* 5/2017	Ghiorghie	D8/372

(Continued)

OTHER PUBLICATIONS

8 Pieces Treble Clef Wooden Wall Decor Black Music Notes, Date Visited: Nov. 14, 2022, Amazon, Date Available: May 17, 2022, <https://www.amazon.com/Pieces-Hanging-Decorations-Decorative-Musical/dp/B0B1GRB3WC> (Year: 2022).*

(Continued)

Primary Examiner — Karen S Acker

Assistant Examiner — Elizabeth S Ko

(74) *Attorney, Agent, or Firm* — Nitin Kaushik

(57) **CLAIM**

The ornamental design for a hook rack, as shown and described.

DESCRIPTION

FIG. 1 is a perspective view of a hook rack showing my new design;

FIG. 2 is another perspective view thereof;

FIG. 3 is a front elevational view thereof;

FIG. 4 is a rear elevational view thereof;

FIG. 5 is a left side elevational view thereof;

FIG. 6 is a right side elevational view thereof;

FIG. 7 is a top plan view thereof;

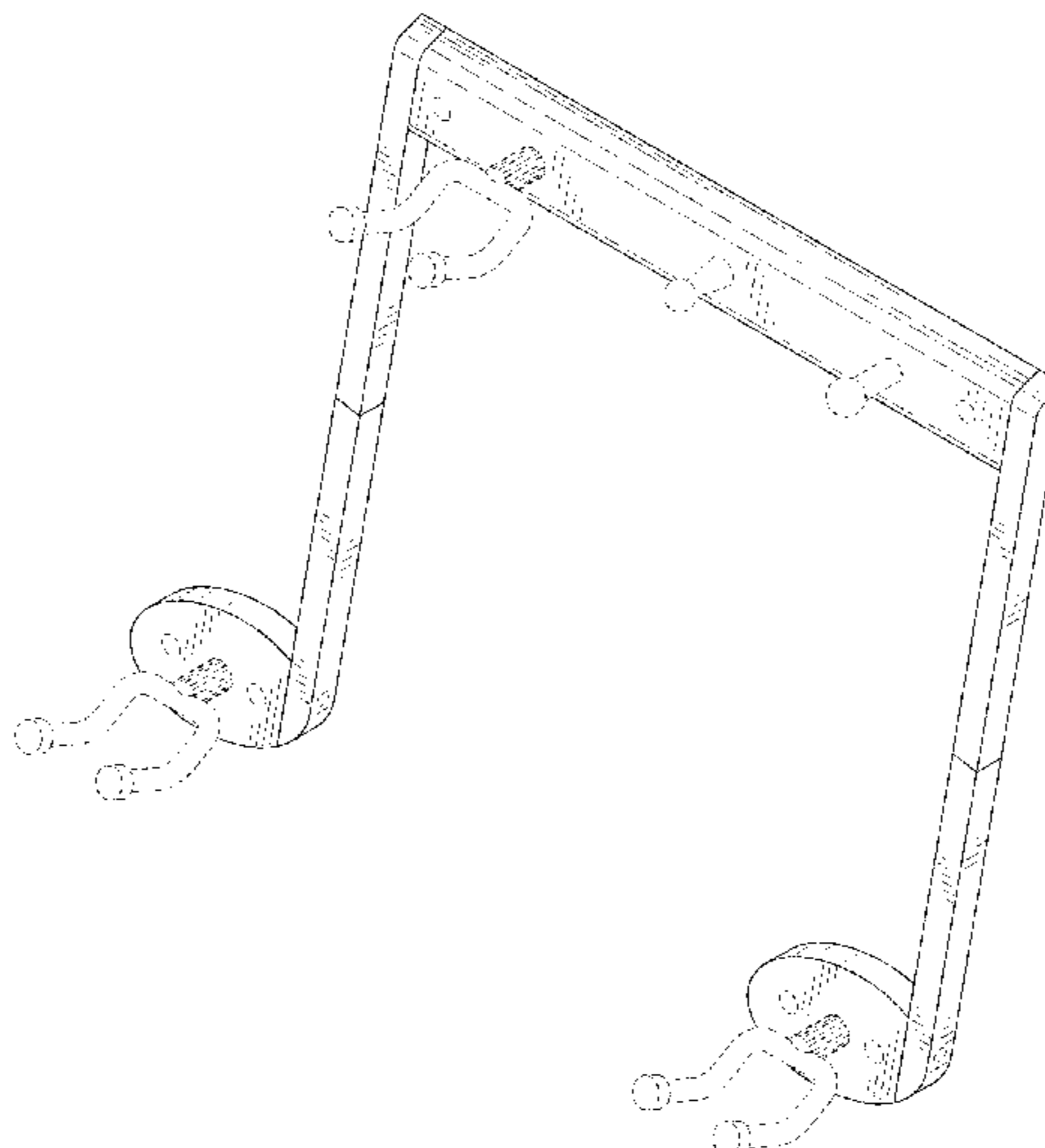
FIG. 8 is a bottom plan view thereof;

FIG. 9 is a perspective view of the hook rack where the hook rack is in a first configuration of use; and,

FIG. 10 is a perspective view of the hook rack where the hook rack is in a second configuration of use.

The broken lines in the drawings depict portions of the hook rack that form no part of the claimed design.

1 Claim, 10 Drawing Sheets



(56)

References Cited

U.S. PATENT DOCUMENTS

D794,431 S * 8/2017 Goodman D8/372
D816,354 S * 5/2018 Richardson D8/372
D842,686 S 3/2019 Dittrich et al.
D847,620 S * 5/2019 Umholtz D8/372
D857,406 S * 8/2019 Shipps D8/372
D954,545 S * 6/2022 Chiang D8/372
D955,861 S * 6/2022 Huang D8/372
D957,163 S * 7/2022 Zhi D8/372
D957,237 S * 7/2022 Zhang D8/367

OTHER PUBLICATIONS

Cast Iron Musical Note Hook, Date Visited: Nov. 14, 2022, Etsy,
Date Available: Nov. 14, 2022, <https://www.etsy.com/uk/listing/710429288/cast-iron-musical-note-hook-music-lover> (Year: 2022).*

Double Music Note Metal Wall Decor, Date Visited: Nov. 14, 2022,
Hobby Lobby, Date Available: Nov. 14, 2022, <https://www.hobbylobby.com/Home-Decor-Frames/Mirrors-Wall-Decor/Wall-Art/Double-Music-Note-Metal-Wall-Decor---Large/p/80942241> (Year: 2022).*

FKKA Guitar Wall Mount Hanger, Date Visited: Nov. 14, 2022,
Amazon, Date Available: Oct. 28, 2021, <https://www.amazon.com/FKKA-Guitar-Hanger-Ukulele-Hangers/dp/B09HT683QP/> (Year: 2021).*

Music Note_ Treble Clef Metal Art Hook, Date Visited: Nov. 14,
2022, Practical Art, Date Available: Nov. 14, 2022, <https://practicalart.ca/products/treble-clef-hook> (Year: 2022).*

Music Notes Wall Hook Hangers, Date Visited: Nov. 14, 2022,
Artistic-pod, Date Available: Nov. 14, 2022, <https://artistic-pod.com/products/music-notes-wall-hook> (Year: 2022).*

* cited by examiner

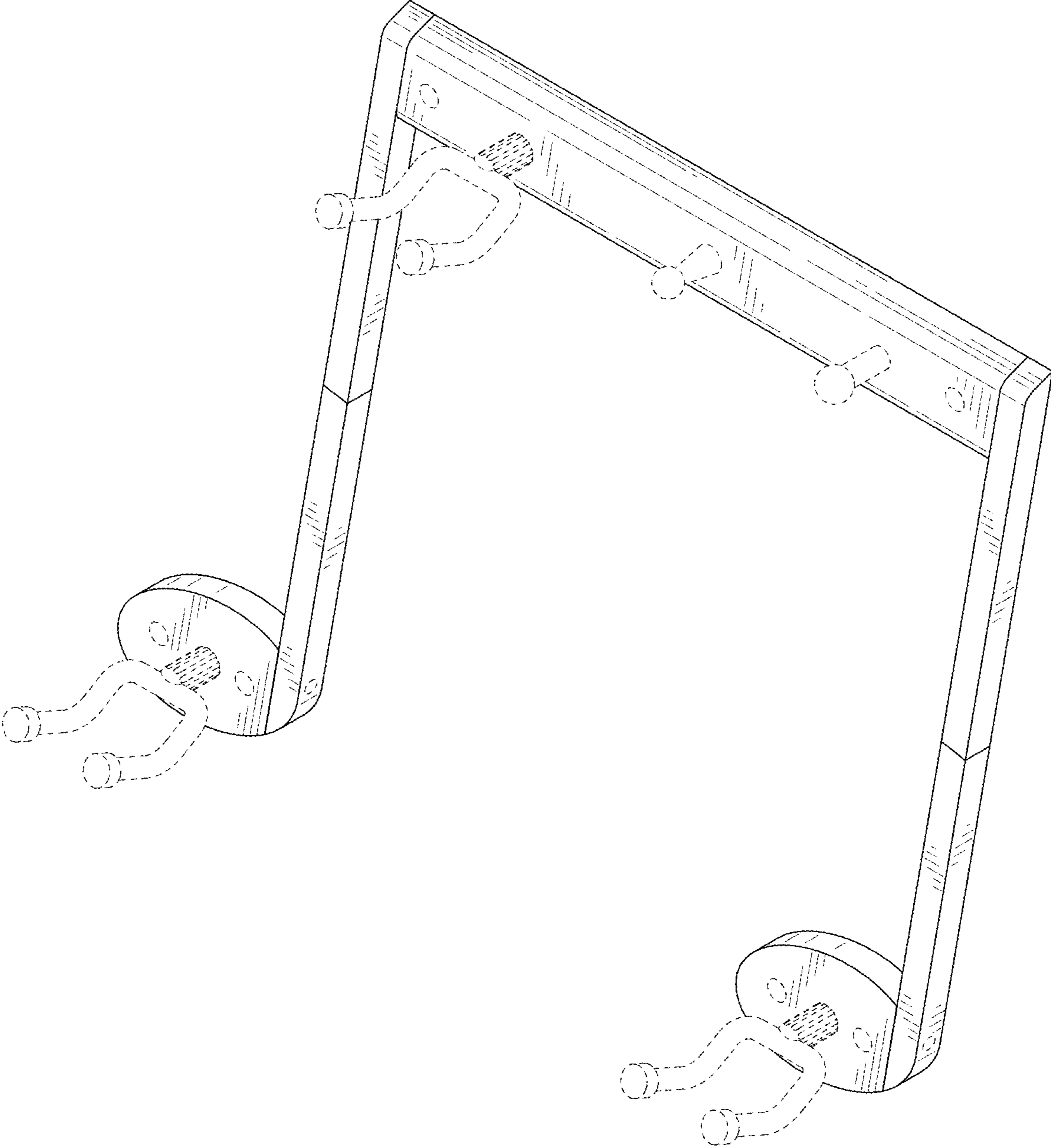


FIG. 1

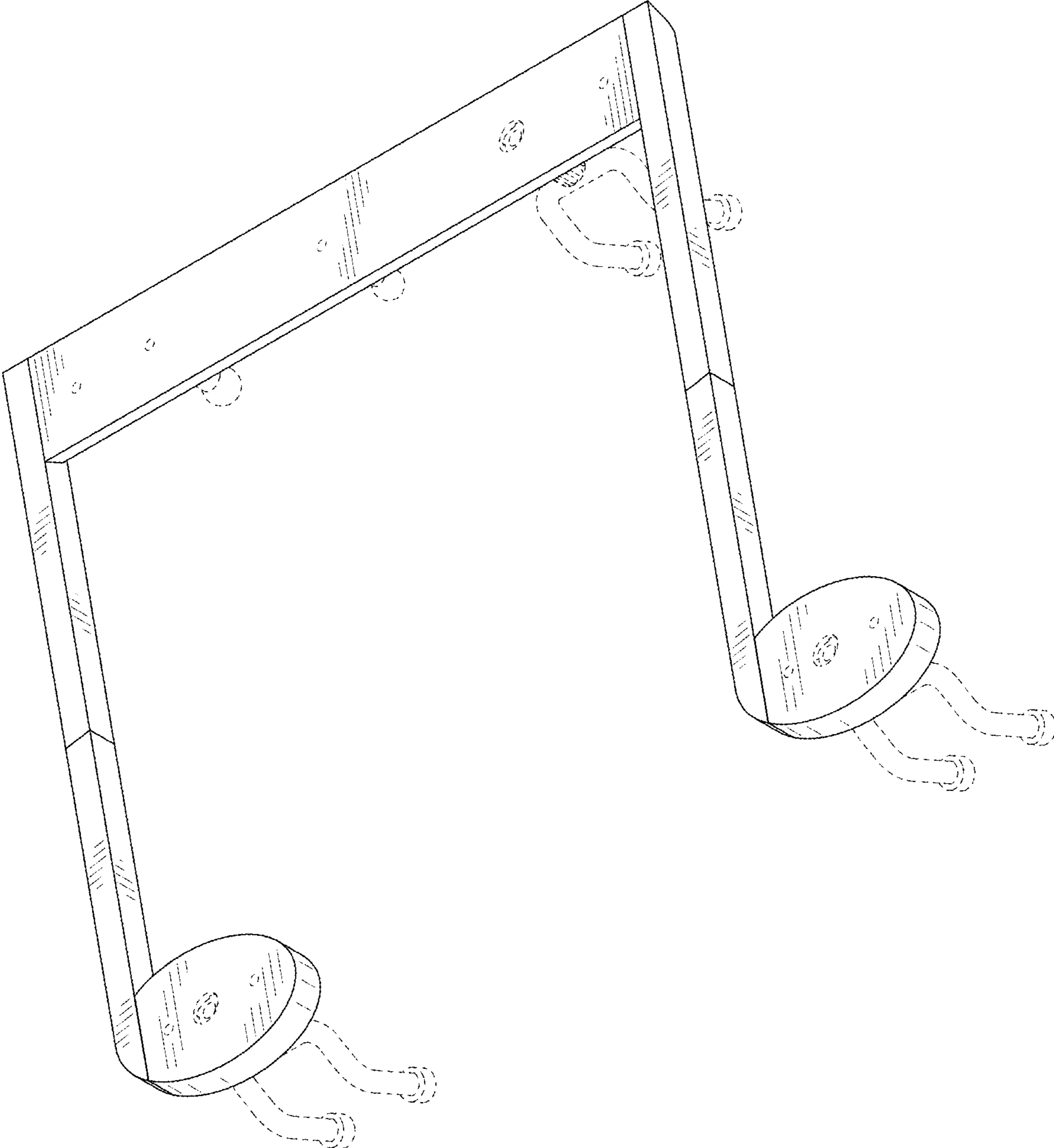


FIG. 2

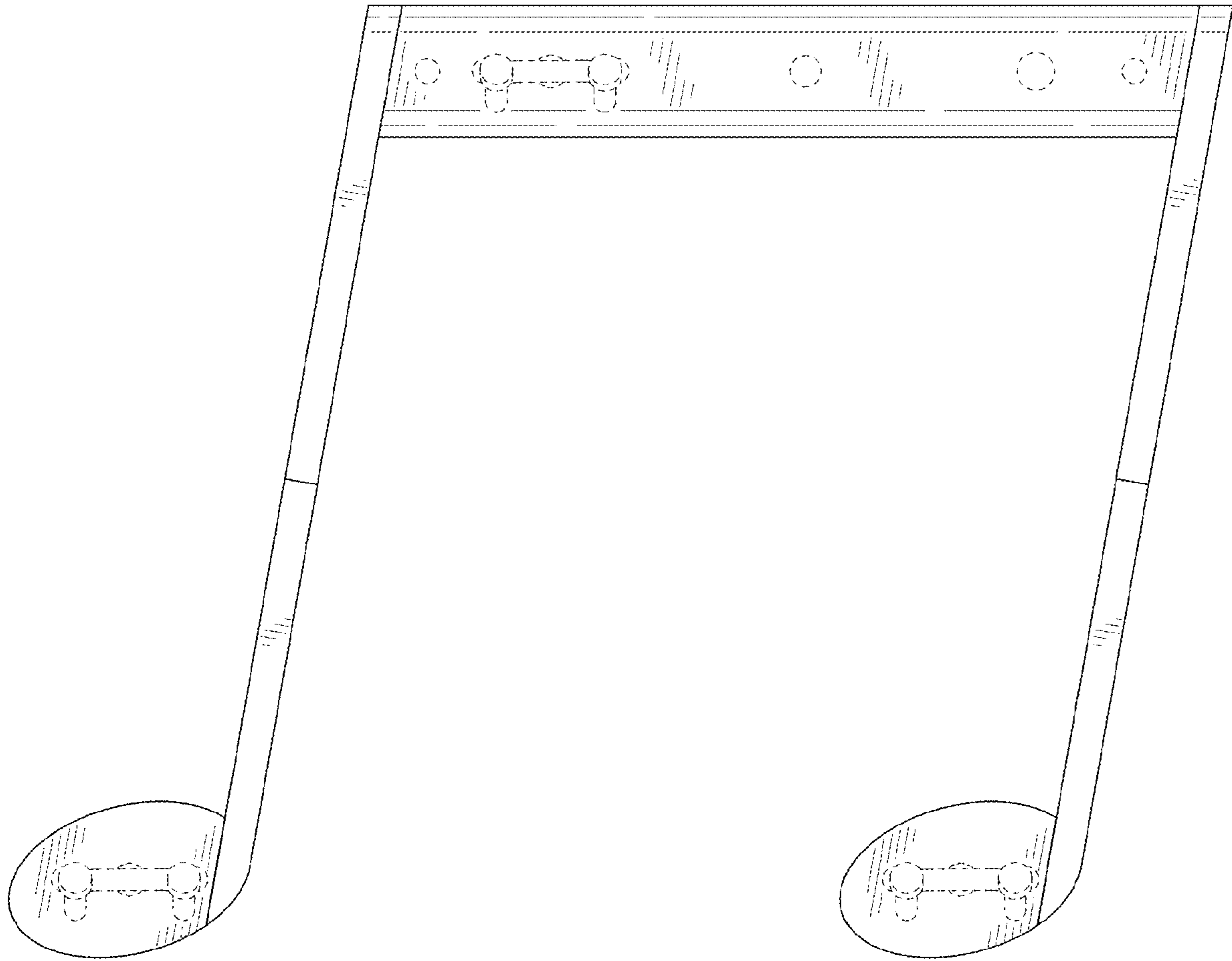


FIG. 3

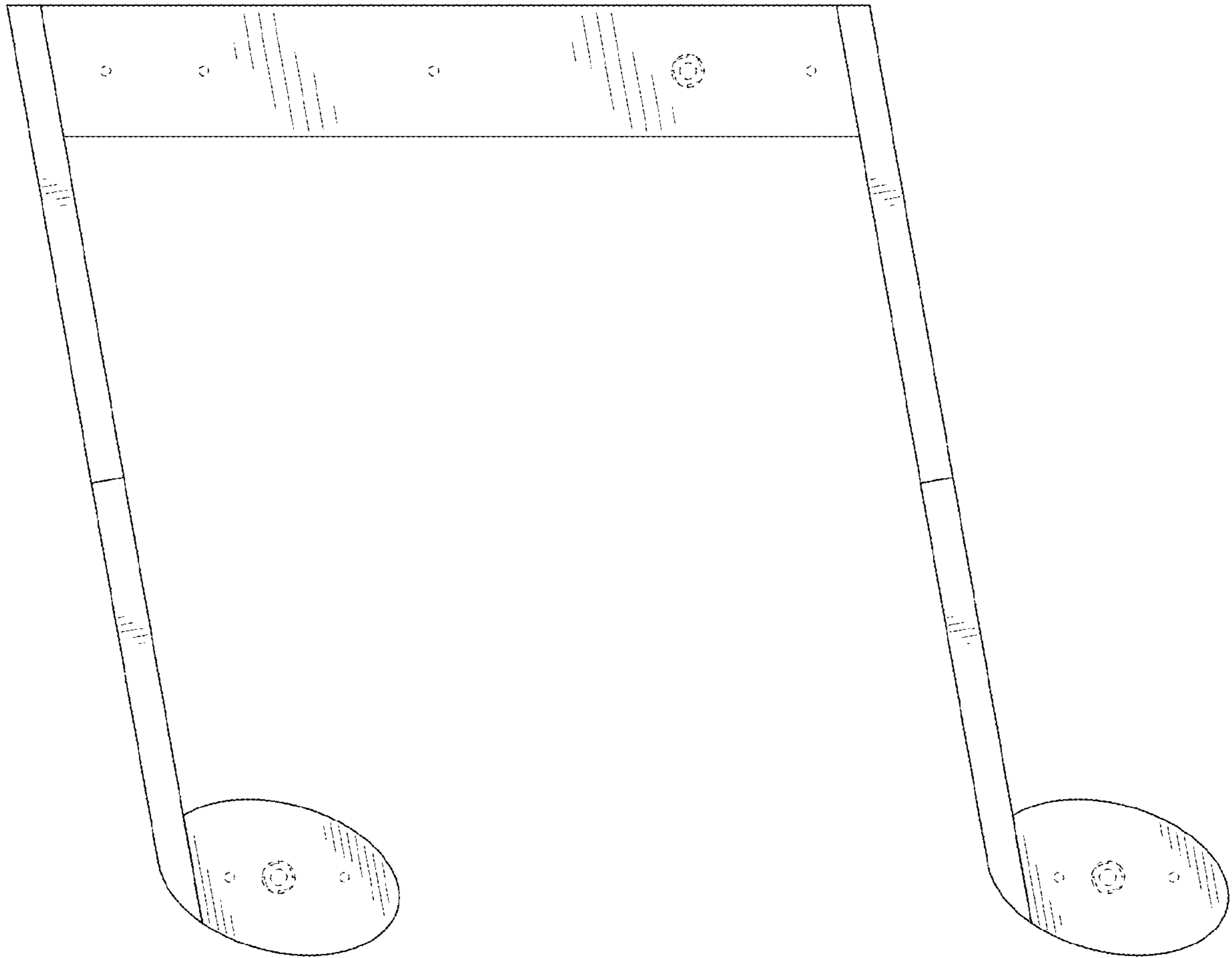


FIG. 4

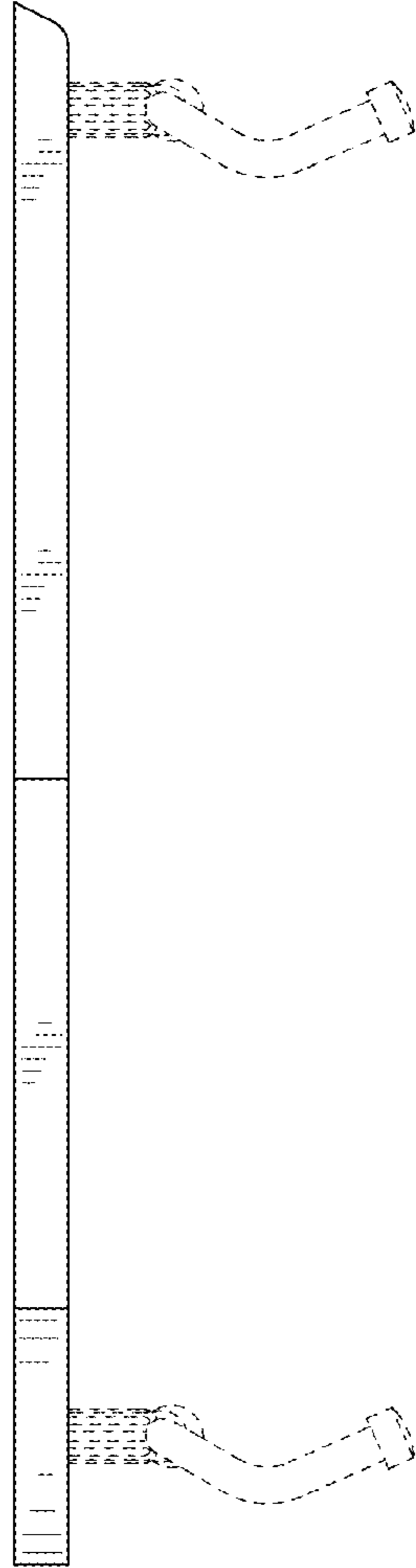


FIG. 5

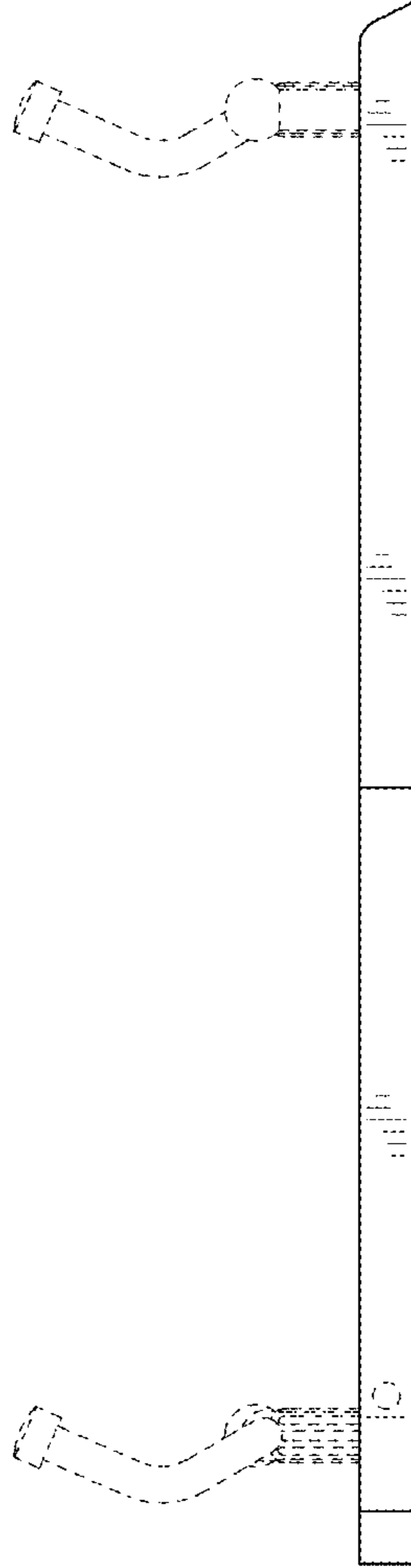


FIG. 6

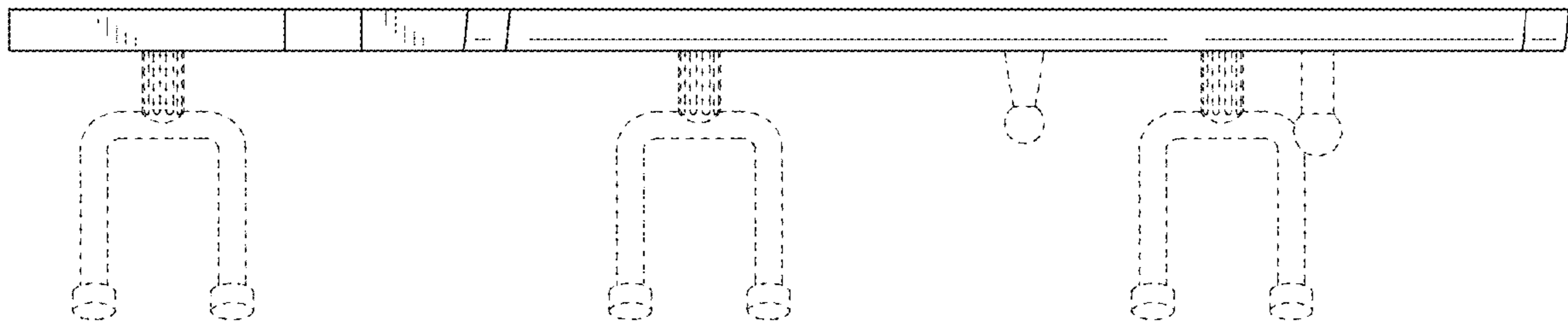


FIG. 7

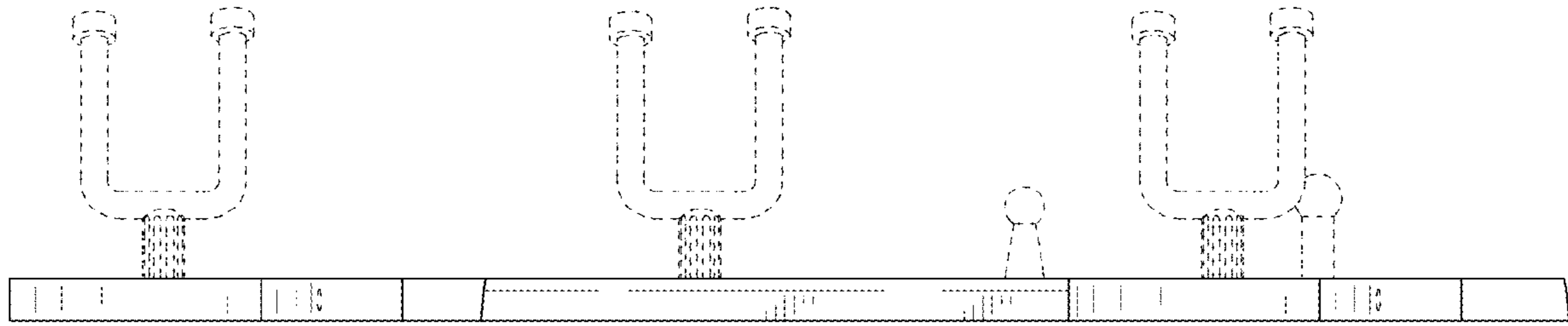


FIG. 8

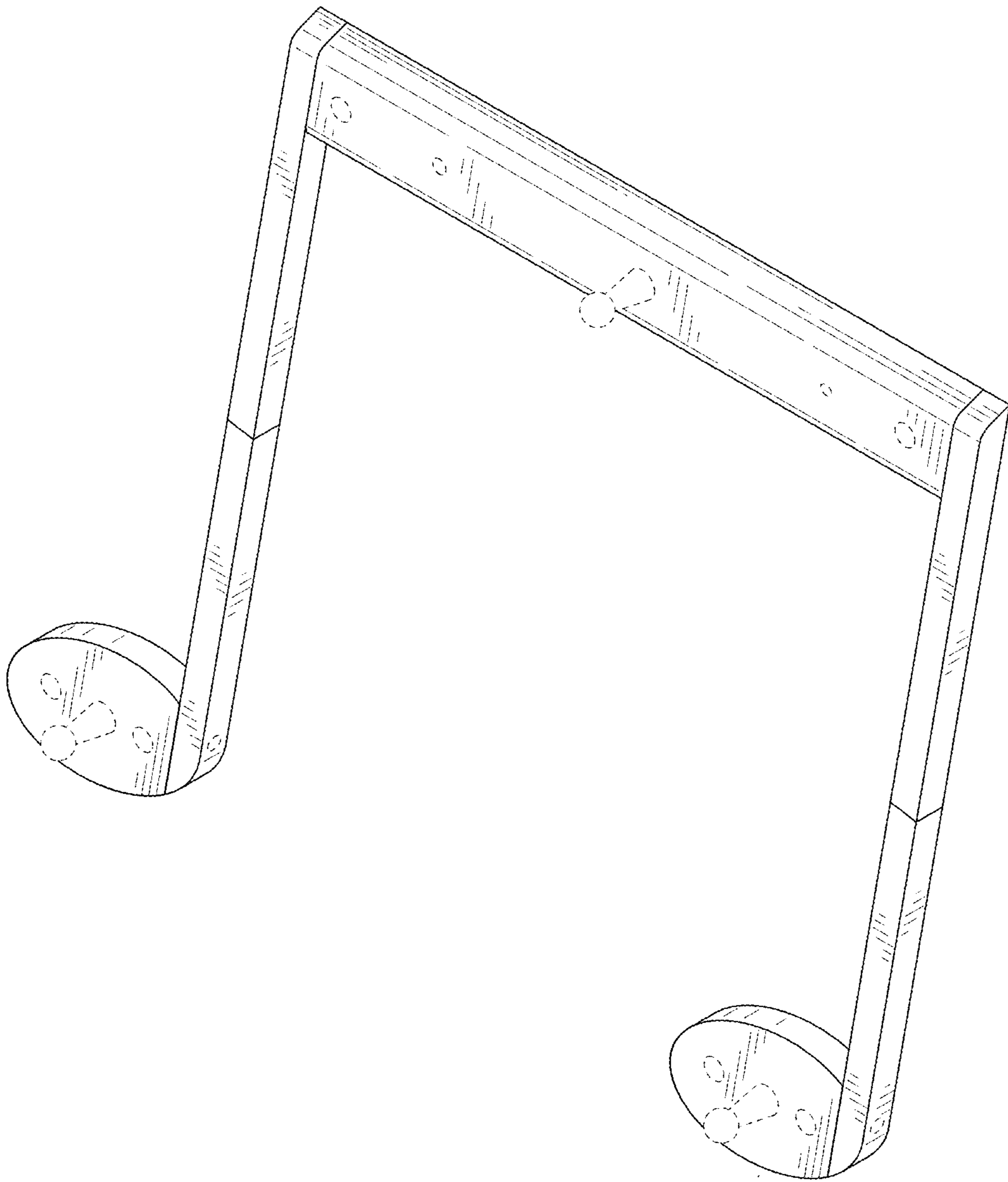


FIG. 9

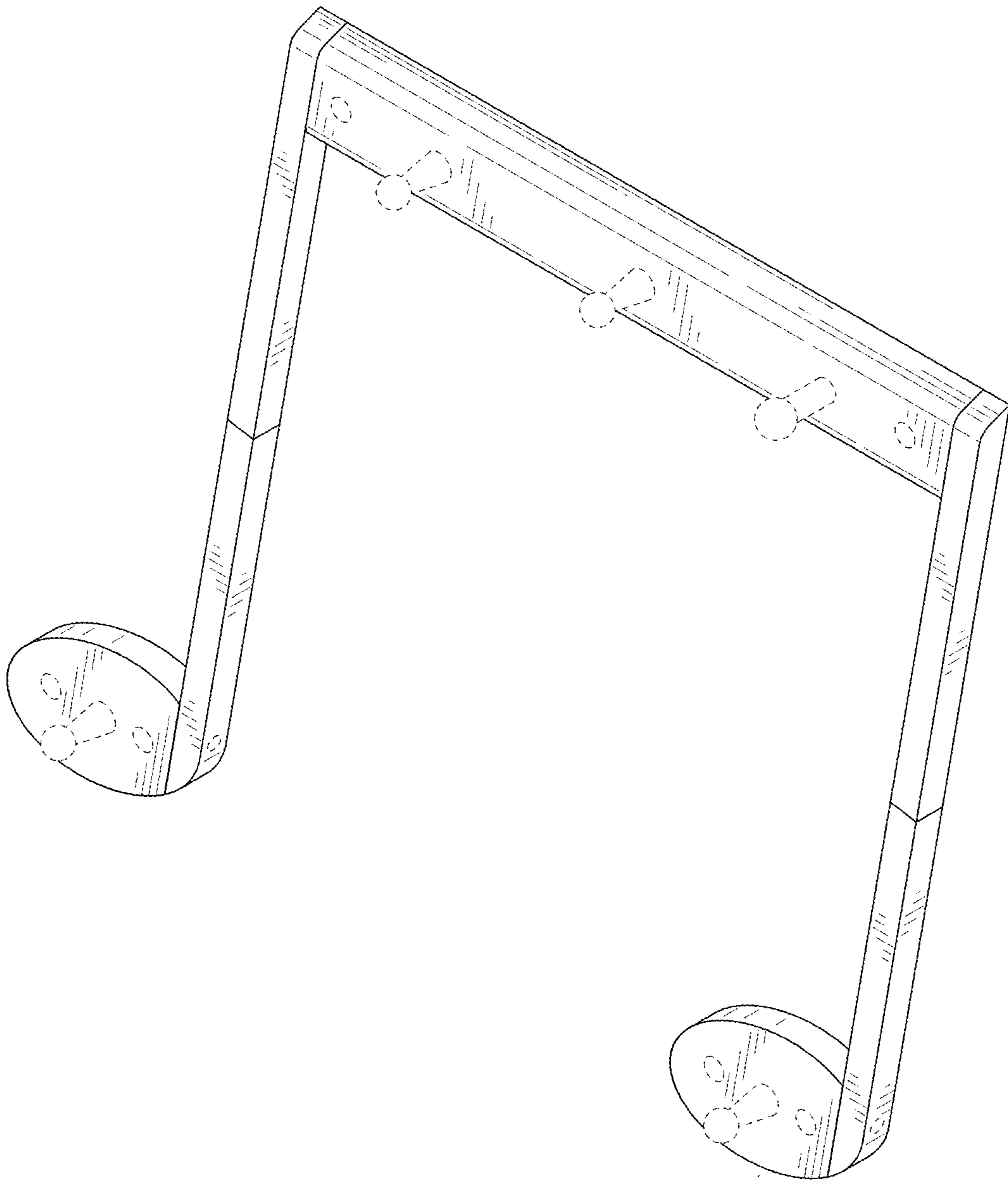


FIG. 10