



US00D976687S

(12) **United States Design Patent** (10) **Patent No.:** **US D976,687 S**
Betzler et al. (45) **Date of Patent:** **** Jan. 31, 2023**

(54) **UNDERWATER HOOKS** D391,473 S * 3/1998 Striebel D8/367
D391,474 S * 3/1998 Striebel D8/367
D391,475 S * 3/1998 Striebel D8/367

(71) Applicant: **RUD KETTEN RIEGER & DIETZ GMBH U. CO. KG**, Aalen (DE)

(Continued)

(72) Inventors: **Michael Betzler**, Abtsgmünd (DE);
Lukas Mühlberger, Bopfingen (DE)

FOREIGN PATENT DOCUMENTS

DE 202011103255 U1 10/2011
DE 102010027153 A1 1/2012

(Continued)

(73) Assignee: **RUD KETTEN RIEGER & DIETZ GMBH U. CO. KG**, Aalen (DE)

(**) Term: **15 Years**

OTHER PUBLICATIONS

Office Action for German Patent Application No. 102019213151.4 dated Aug. 5, 2020, 10 pages.

(Continued)

(21) Appl. No.: **29/725,767**

(22) Filed: **Feb. 27, 2020**

Primary Examiner — Cynthia R Underwood

(30) **Foreign Application Priority Data**

Aug. 30, 2019 (EM) 006786562-0001
Aug. 30, 2019 (EM) 006786562-0002

(74) *Attorney, Agent, or Firm* — Edell, Shapiro & Finnan, LLC

(51) **LOC (14) Cl.** **08-11**

(57) **CLAIM**

The ornamental design for a underwater hook, as shown and described.

(52) **U.S. Cl.**

USPC **D8/367; D8/356**

DESCRIPTION

(58) **Field of Classification Search**

USPC D8/356, 354, 105, 349, 367, 373, 372;
D3/207; 248/301, 302, 303, 304, 339;
24/599.7
CPC B65H 57/16; B63B 21/045; A63B 29/08;
A63B 27/02; A47G 1/17; A47G 1/22;
A47G 25/0607; F16B 45/02; F16B
45/021; B66C 1/125; B66C 1/36; A62B
35/0037

FIG. 1 is a front view of a hook according to the present invention;
FIG. 2 is a rear view of the hook of FIG. 1;
FIG. 3 is a right side view of the hook of FIG. 1;
FIG. 4 is a left side view of the hook of FIG. 1;
FIG. 5 is a bottom view of the hook of FIG. 1;
FIG. 6 is a top view of the hook of FIG. 1;
FIG. 7 is a front perspective view of the hook of FIG. 1;
FIG. 8 is a front view of a hook according to a second embodiment of the present invention;
FIG. 9 is a rear view of the hook of FIG. 8;
FIG. 10 is a right side view of the hook of FIG. 8;
FIG. 11 is a left side view of the hook of FIG. 8;
FIG. 12 is a bottom view of the hook of FIG. 8;
FIG. 13 is a top view of the hook of FIG. 8; and,
FIG. 14 is a front perspective view of the hook of FIG. 8.

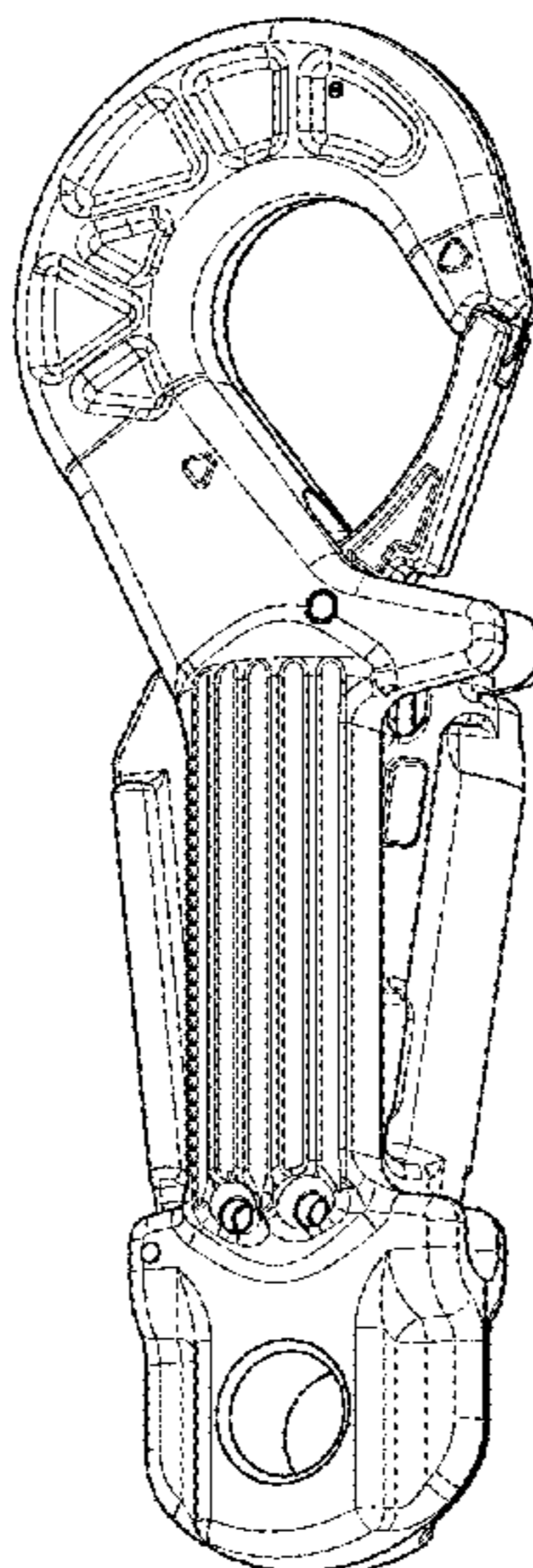
See application file for complete search history.

(56) **References Cited**

U.S. PATENT DOCUMENTS

1,626,865 A 5/1927 Neilson
D342,665 S * 12/1993 Reku D8/367
D348,385 S * 7/1994 Krauss D8/367
D355,585 S * 2/1995 Terada D8/367

1 Claim, 14 Drawing Sheets



(56)

References Cited

U.S. PATENT DOCUMENTS

D391,694 S * 3/1998 Eichhorn 119/784
 D391,840 S * 3/1998 Striebel D8/367
 D394,202 S * 5/1998 Anscher D8/367
 D402,189 S * 12/1998 Izumi D8/382
 D491,049 S * 6/2004 Kung D8/367
 7,255,381 B2 * 8/2007 Komizo B66C 1/36
 294/82.19
 D579,763 S * 11/2008 Uehara D8/367
 D583,654 S * 12/2008 Uehara D8/367
 7,607,707 B2 * 10/2009 Eising B66C 1/34
 294/131
 D649,024 S * 11/2011 Takazakura D8/367
 D665,655 S * 8/2012 Ishii D8/367
 D675,806 S * 2/2013 Caul D2/500
 D730,159 S * 5/2015 Grimm D8/356
 D740,645 S * 10/2015 Koreishi D8/367
 D785,316 S * 5/2017 Grossman D8/356
 D821,090 S * 6/2018 Case D3/207
 10,060,466 B2 * 8/2018 Kaneko F16B 45/02
 D837,635 S * 1/2019 Petzl D8/356
 D842,079 S * 3/2019 Betzler D8/367
 D882,378 S * 4/2020 Graykowski D8/356
 D892,601 S * 8/2020 Schmitz D8/367
 D893,122 S * 8/2020 Saeger 34/356
 D902,009 S * 11/2020 Yang D8/336
 D933,462 S * 10/2021 Zunzunegui D8/367

11,147,359 B1 * 10/2021 Treadwell A45F 5/02
 D937,665 S * 12/2021 Zhang D8/367
 11,208,299 B2 * 12/2021 Betzler B66C 1/14
 D948,996 S * 4/2022 Misener D8/367
 D951,077 S * 5/2022 Lv D8/367
 11,390,493 B2 * 7/2022 Raines, Jr. B66C 1/36
 2006/0179784 A1 * 8/2006 Chen F16B 45/00
 52/698
 2011/0175385 A1 7/2011 Buie et al.
 2013/0219673 A1 * 8/2013 Perner F16B 45/02
 24/375
 2016/0361578 A1 * 12/2016 Casebolt A45F 5/02
 2017/0241470 A1 8/2017 Vaccari
 2022/0275825 A1 * 9/2022 Mühlberger F16B 45/02

FOREIGN PATENT DOCUMENTS

DE 102016215631 A1 2/2018
 TW I664357 B 7/2019
 WO 02025123 A1 3/2002

OTHER PUBLICATIONS

Office Action for Taiwanese patent application No. 109129742 dated Jun. 3, 2021 with English translation, 11 pages.
 International Search Report for International Application No. PCT/EP2020/074144 dated Dec. 9, 2020, 13 pages.

* cited by examiner

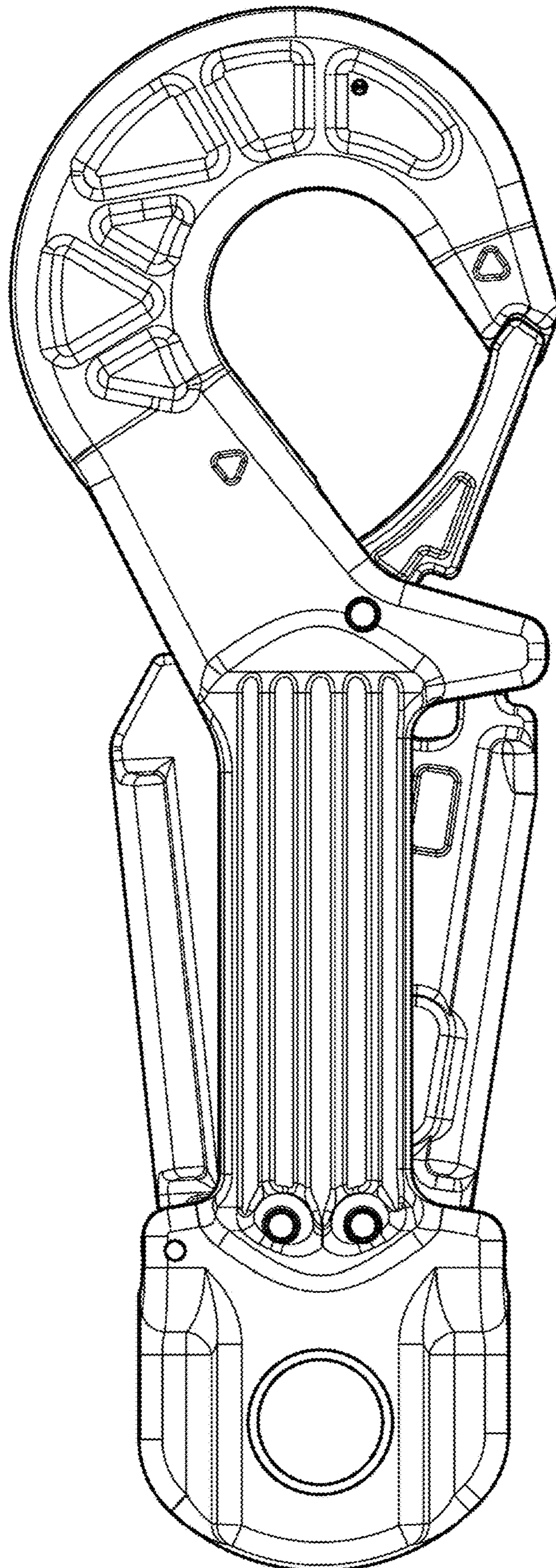


Figure 1

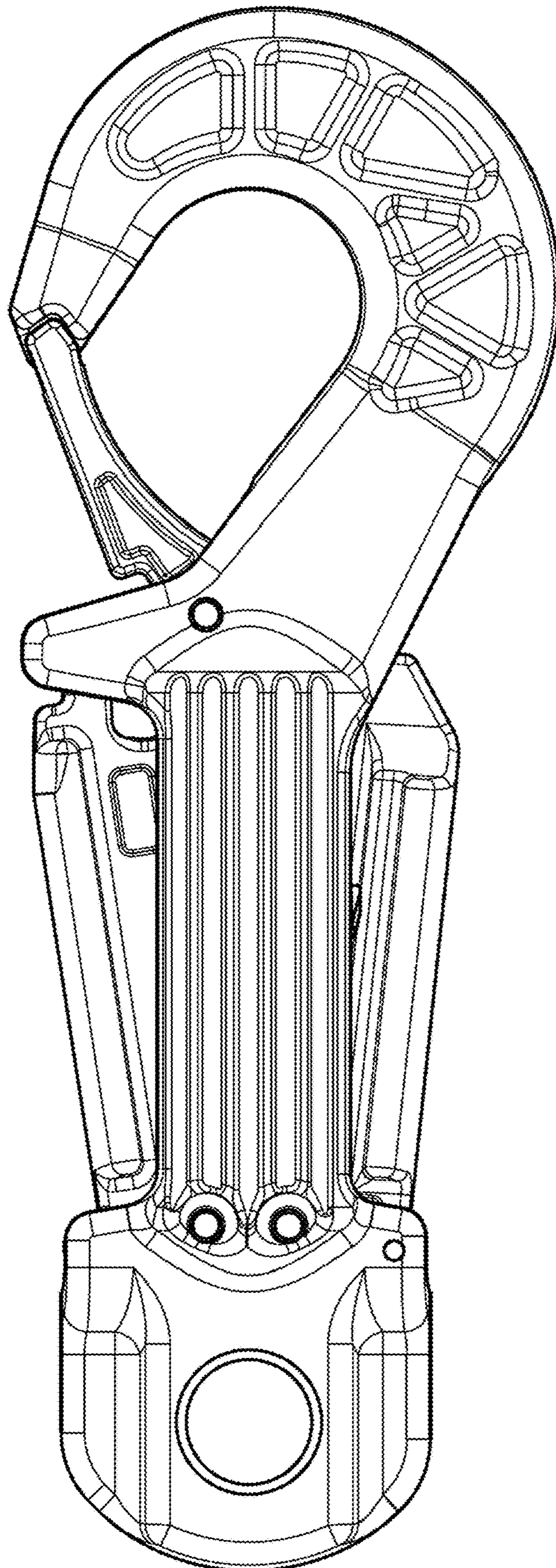


Figure 2

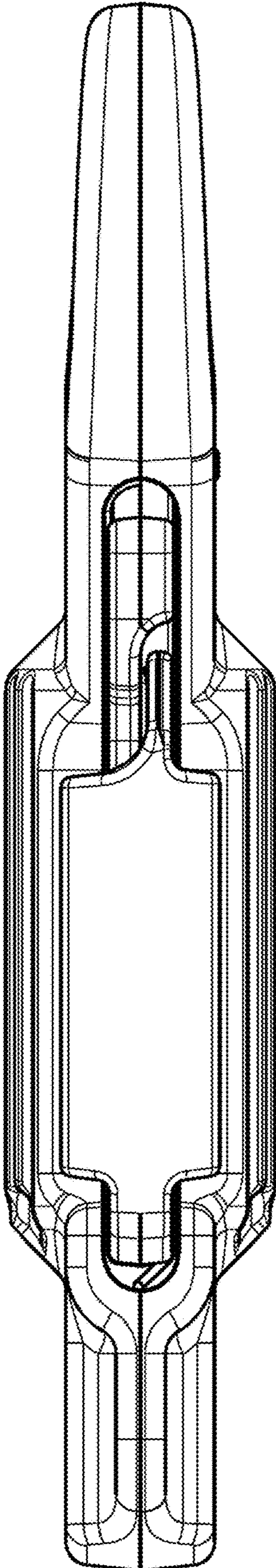


Figure 3

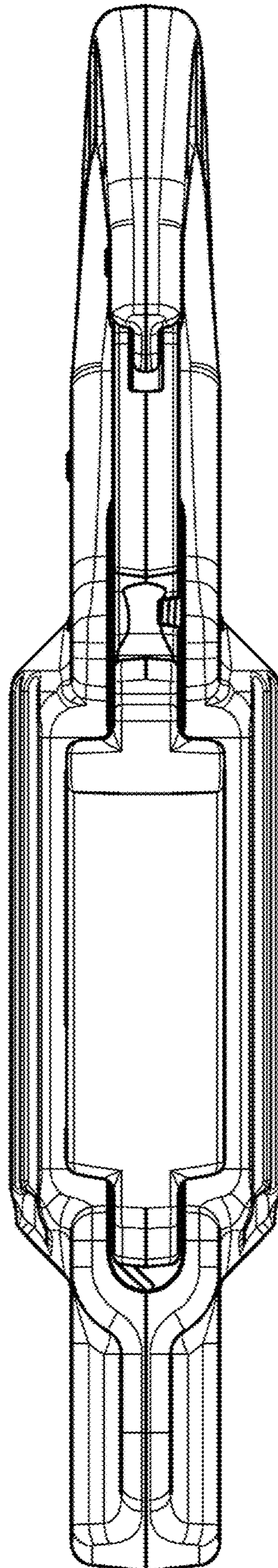


Figure 4

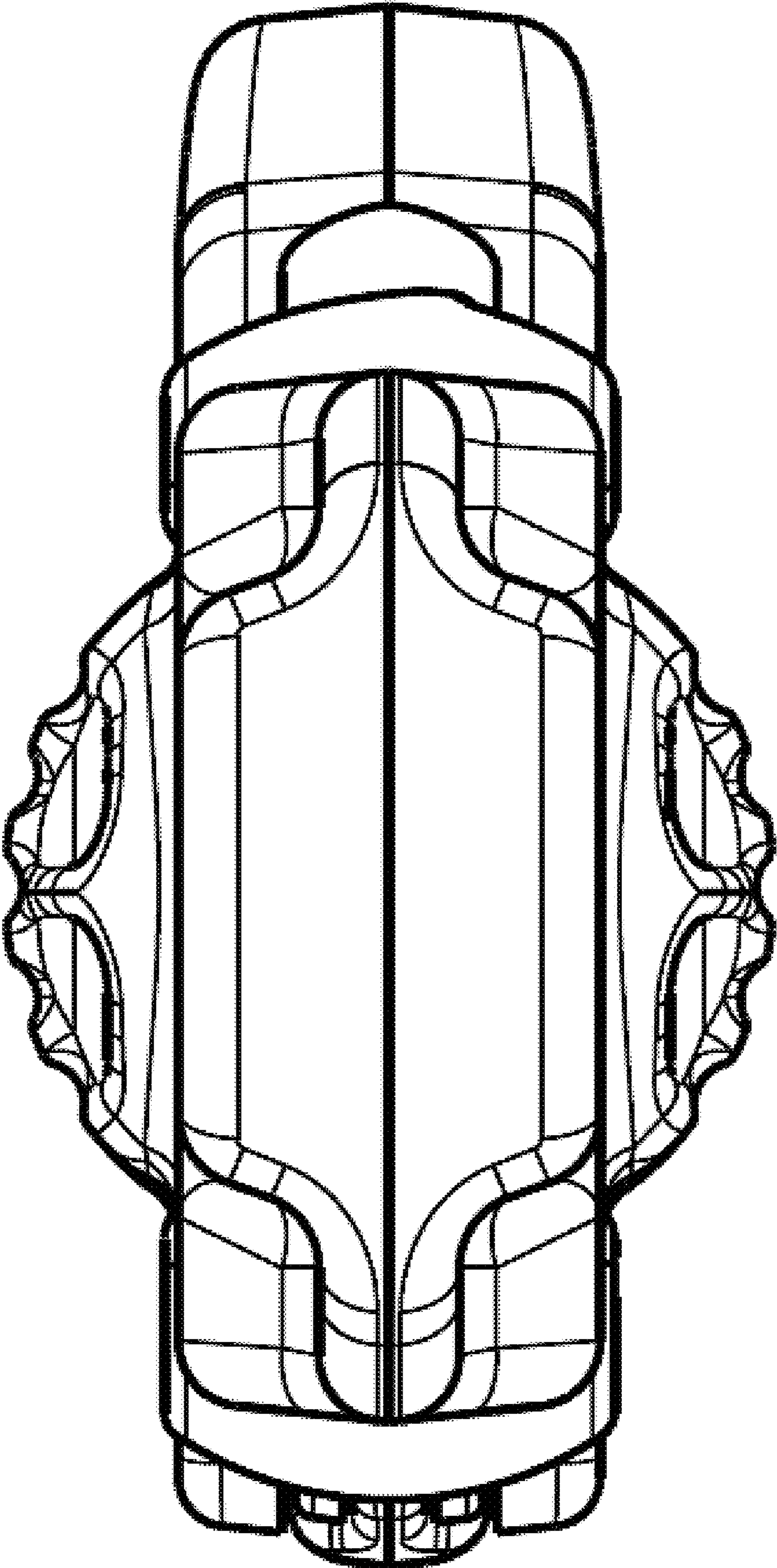


Figure 5

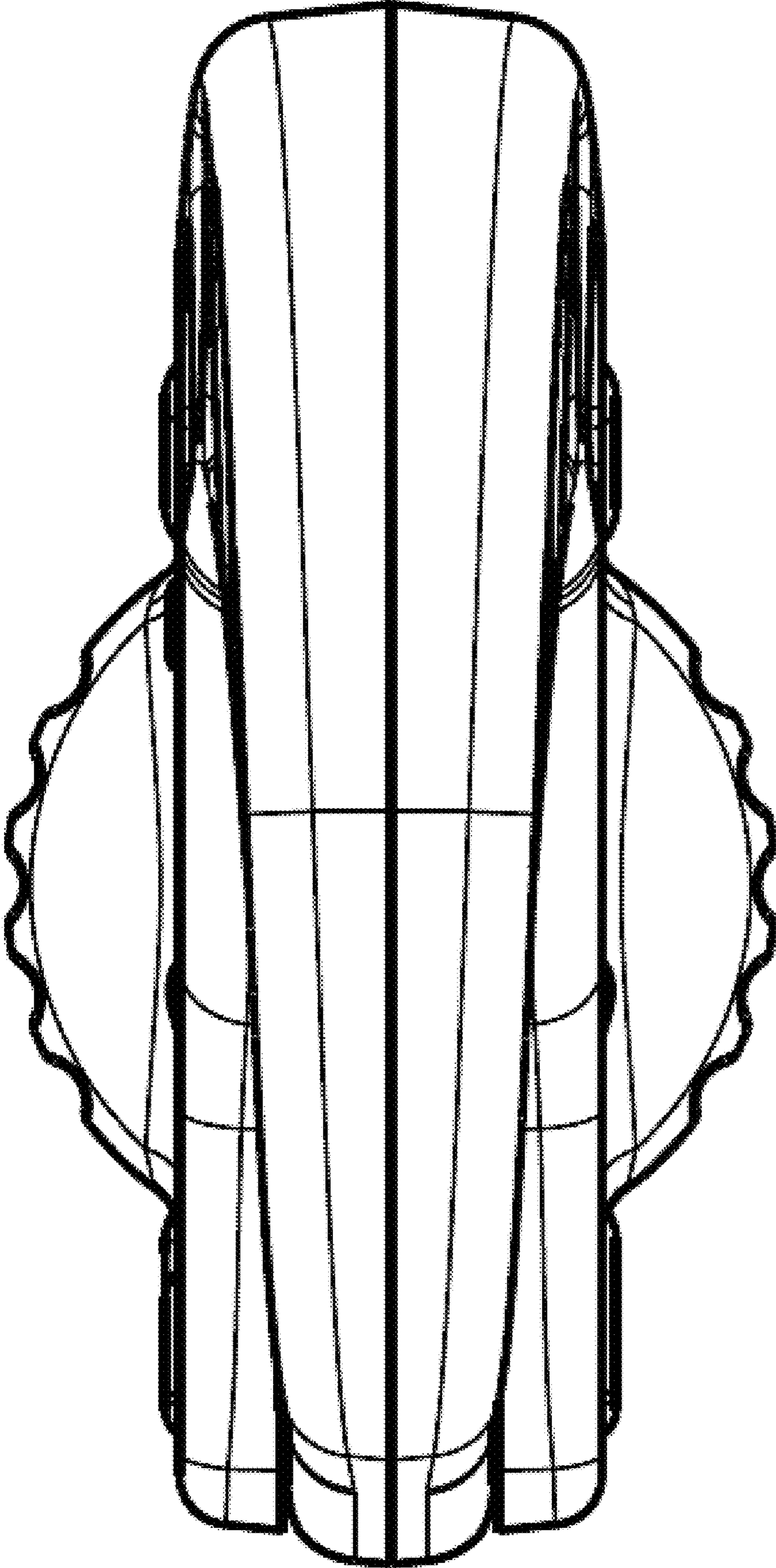


Figure 6

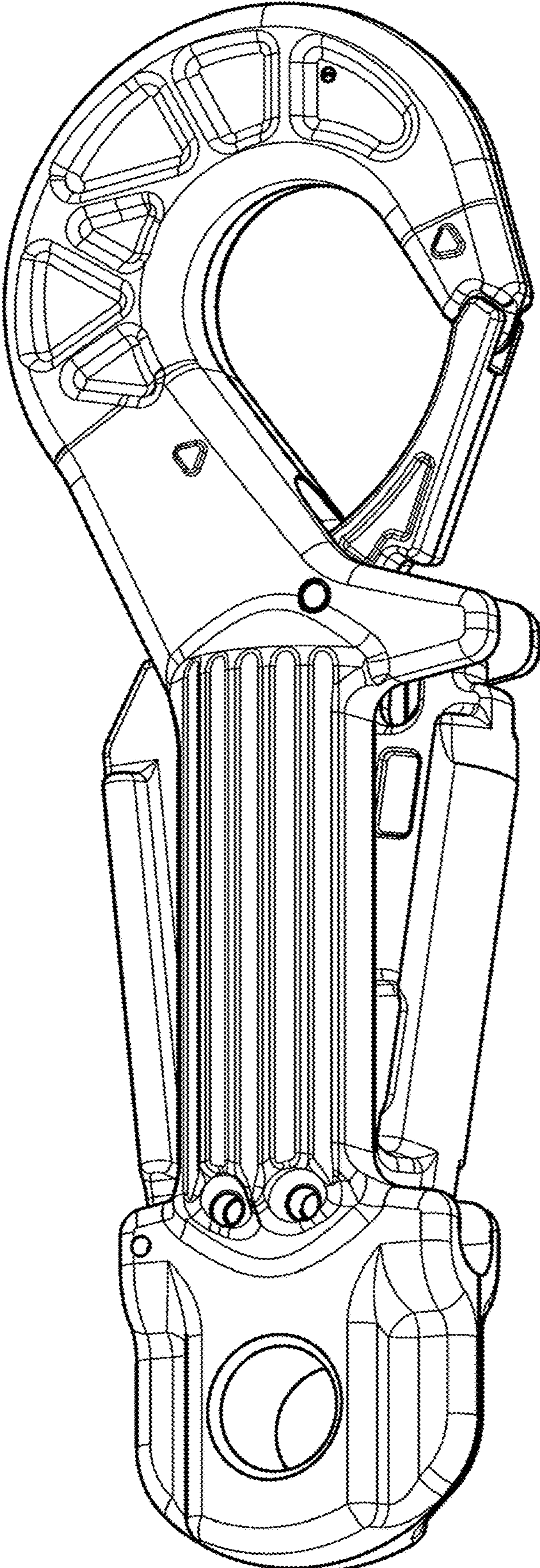


Figure 7

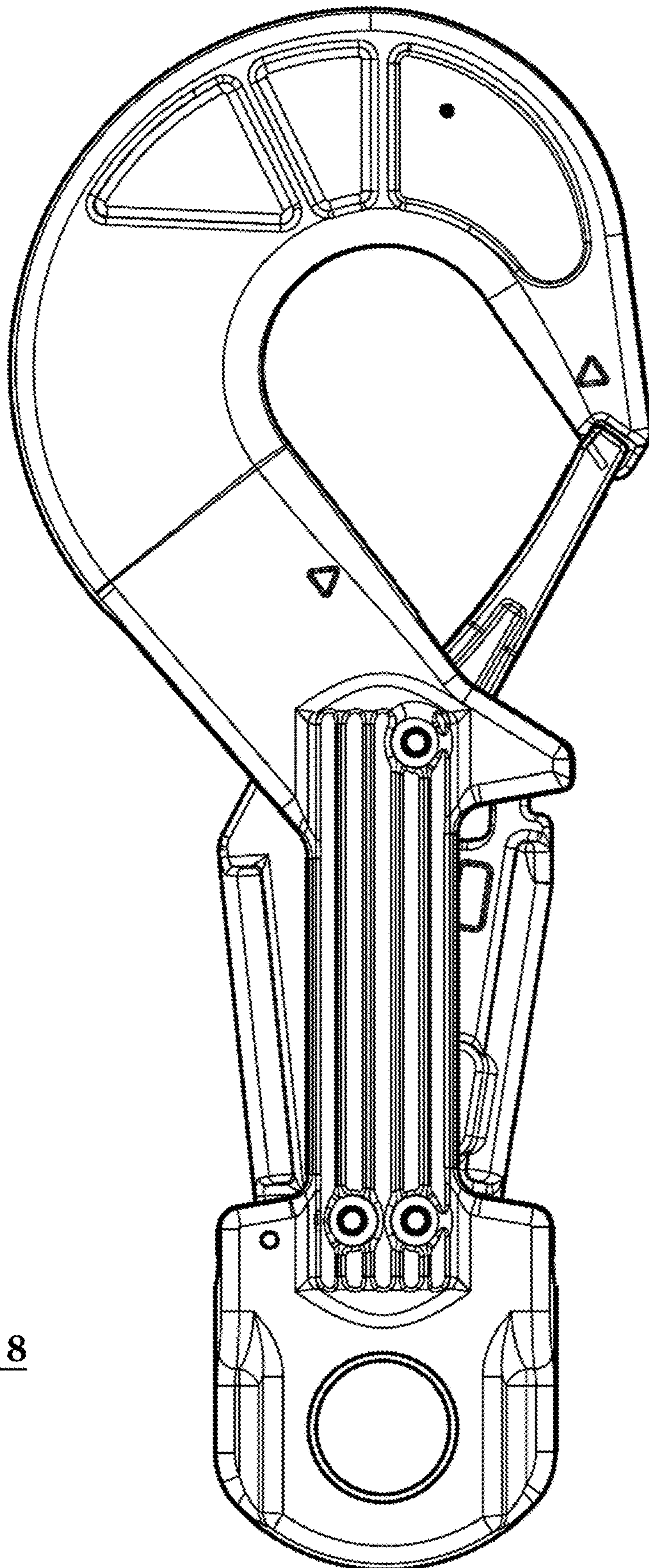


Figure 8

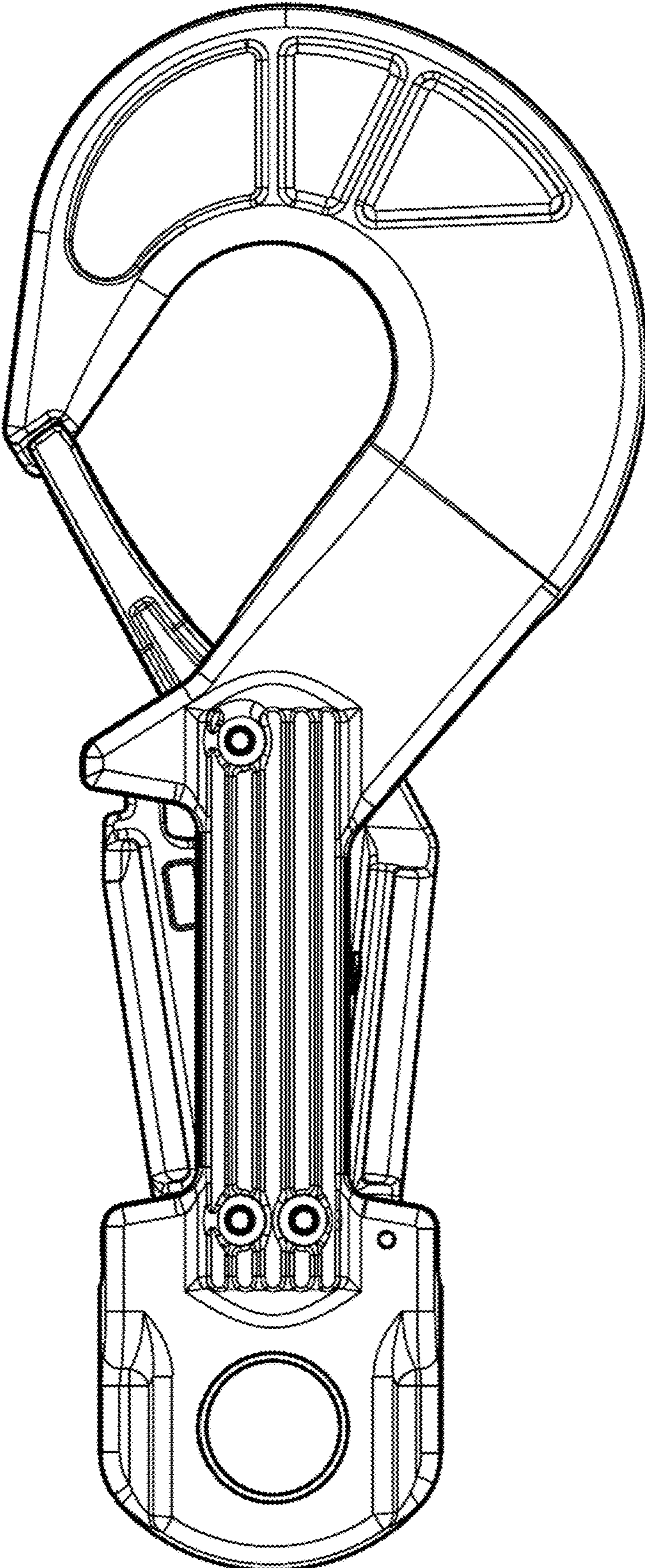


Figure 9

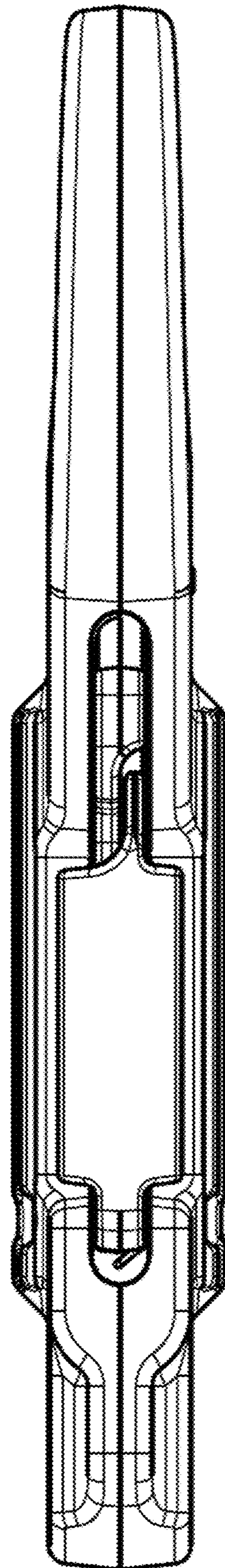


Figure 10

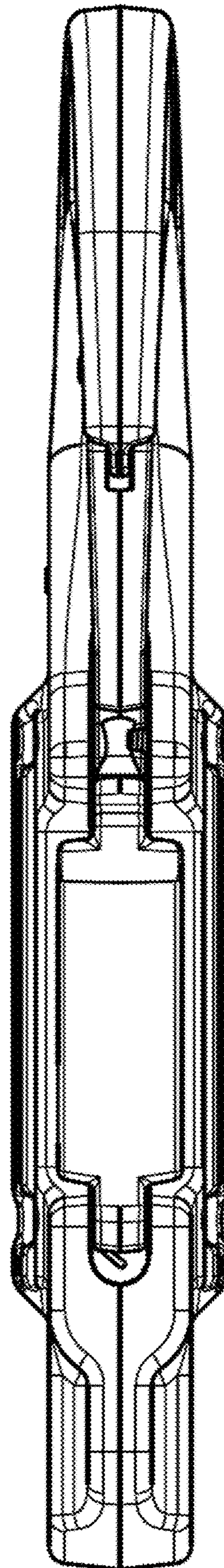


Figure 11

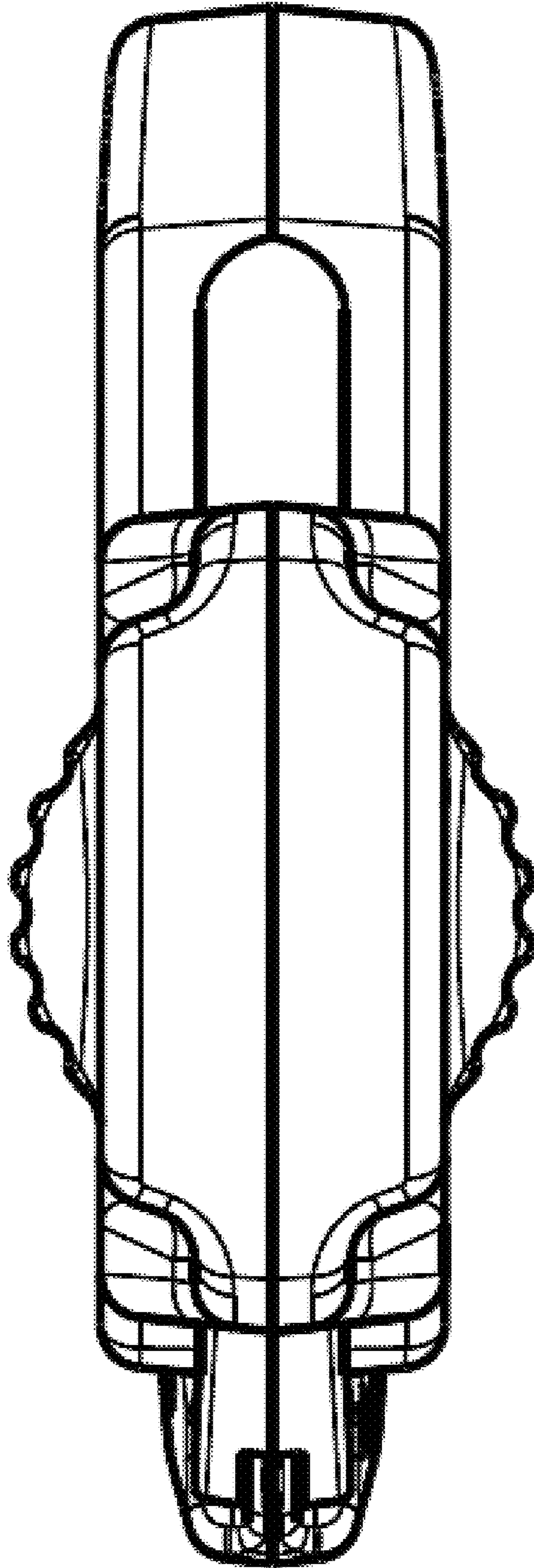


Figure 12

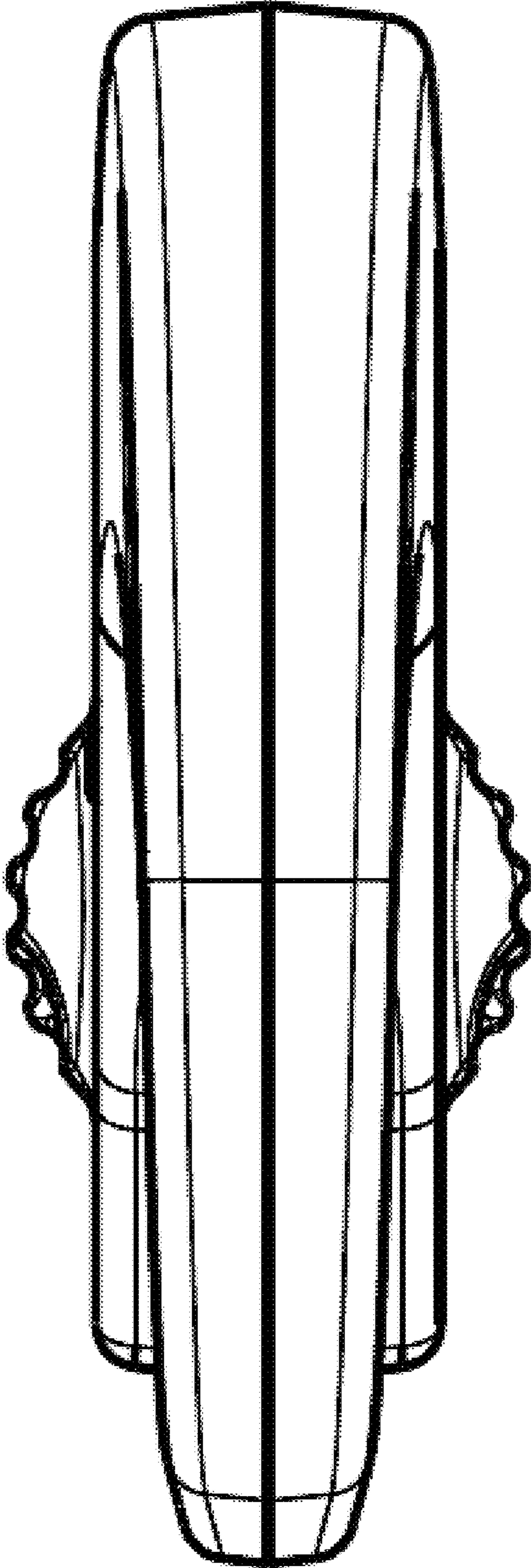


Figure 13

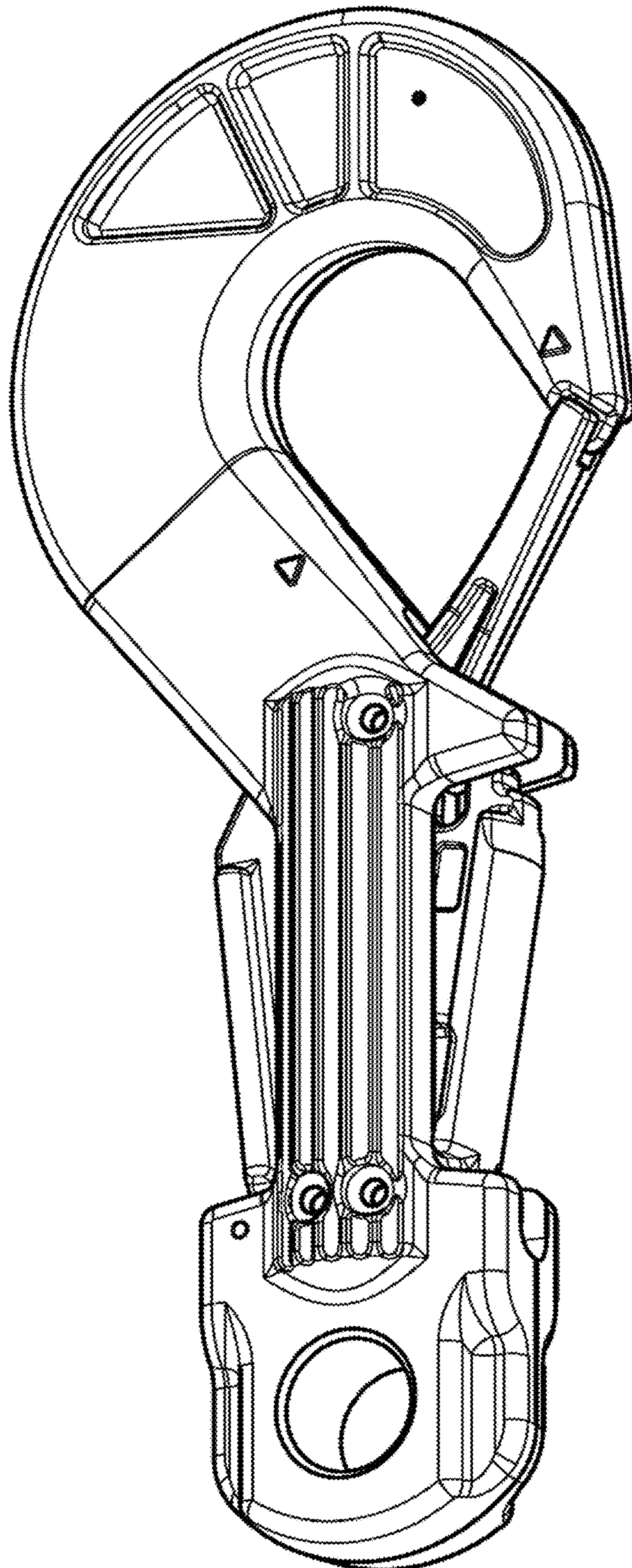


Figure 14

UNITED STATES PATENT AND TRADEMARK OFFICE
CERTIFICATE OF CORRECTION

PATENT NO. : D976,687 S
APPLICATION NO. : 29/725767
DATED : January 31, 2023
INVENTOR(S) : Michael Betzler et al.

Page 1 of 1

It is certified that error appears in the above-identified patent and that said Letters Patent is hereby corrected as shown below:

On the Title Page

In the Title, Item (54), change "UNDERWATER HOOKS" to --UNDERWATER HOOK--.

In the Claim, change "The ornamental design for a underwater hook, as shown and described" to --The ornamental design for an underwater hook, as shown and described--.

Signed and Sealed this
Eleventh Day of April, 2023
Katherine Kelly Vidal

Katherine Kelly Vidal
Director of the United States Patent and Trademark Office