



US00D976686S

(12) **United States Design Patent** (10) **Patent No.:** **US D976,686 S**
Carran (45) **Date of Patent:** **** Jan. 31, 2023**

(54) **HOOK**
(71) Applicant: **Jeiko Innovations Oy**, Helsinki (FI)
(72) Inventor: **Dean Carran**, Hyvinkää (FI)
(73) Assignee: **Jeiko Innovations Oy**, Helsinki (FI)
(**) Term: **15 Years**
(21) Appl. No.: **29/687,026**
(22) Filed: **Apr. 10, 2019**
(30) **Foreign Application Priority Data**

Oct. 10, 2018 (EM) 005791506
(51) **LOC (14) Cl.** **08-11**
(52) **U.S. Cl.**
USPC **D8/367**
(58) **Field of Classification Search**
USPC D8/354, 349, 356, 367, 370, 372, 382,
D8/373; D22/147
CPC A44B 21/00; A44B 24/30
See application file for complete search history.

(56) **References Cited**

U.S. PATENT DOCUMENTS

D254,707 S * 4/1980 Einhorn D8/367
D259,700 S * 6/1981 Chasen D8/367
D345,297 S * 3/1994 Kraine D8/367
D371,064 S * 6/1996 Miller D8/367
D525,861 S * 8/2006 Mackey D8/367
7,181,809 B1 * 2/2007 Kuo F16B 2/005
24/265 H
D551,541 S * 9/2007 Kuo D8/367
D552,456 S * 10/2007 Selby D8/367
D570,256 S * 6/2008 Tucker D12/133
7,540,070 B1 * 6/2009 Selby F16B 45/00
24/265 H
D605,027 S * 12/2009 Leung D8/367

D628,877 S * 12/2010 Stevens D8/367
D629,290 S * 12/2010 Stevens D8/367
D694,613 S * 12/2013 Miles D8/367
D763,065 S * 8/2016 Tu D8/367
D809,354 S * 2/2018 Richer D8/14
D864,699 S * 10/2019 Blaney D8/367
D944,359 S * 2/2022 Matheny D22/147
D945,866 S * 3/2022 Luo D8/367
11,280,386 B1 * 3/2022 Cornay F16B 45/00
D948,318 S * 4/2022 Feng D8/367
D951,074 S * 5/2022 Sanders D8/367
D951,075 S * 5/2022 Zhang D8/367
D951,076 S * 5/2022 Shi D8/367
D951,078 S * 5/2022 Wang D8/367
D953,149 S * 5/2022 Ormsbee D8/367
2009/0119887 A1 * 5/2009 Joubert F16B 45/00
24/265 H
2009/0119891 A1 * 5/2009 Leung B60P 7/0823
24/68 CD

* cited by examiner

Primary Examiner — Keli L Hill
Assistant Examiner — Harold E Blackwell, II

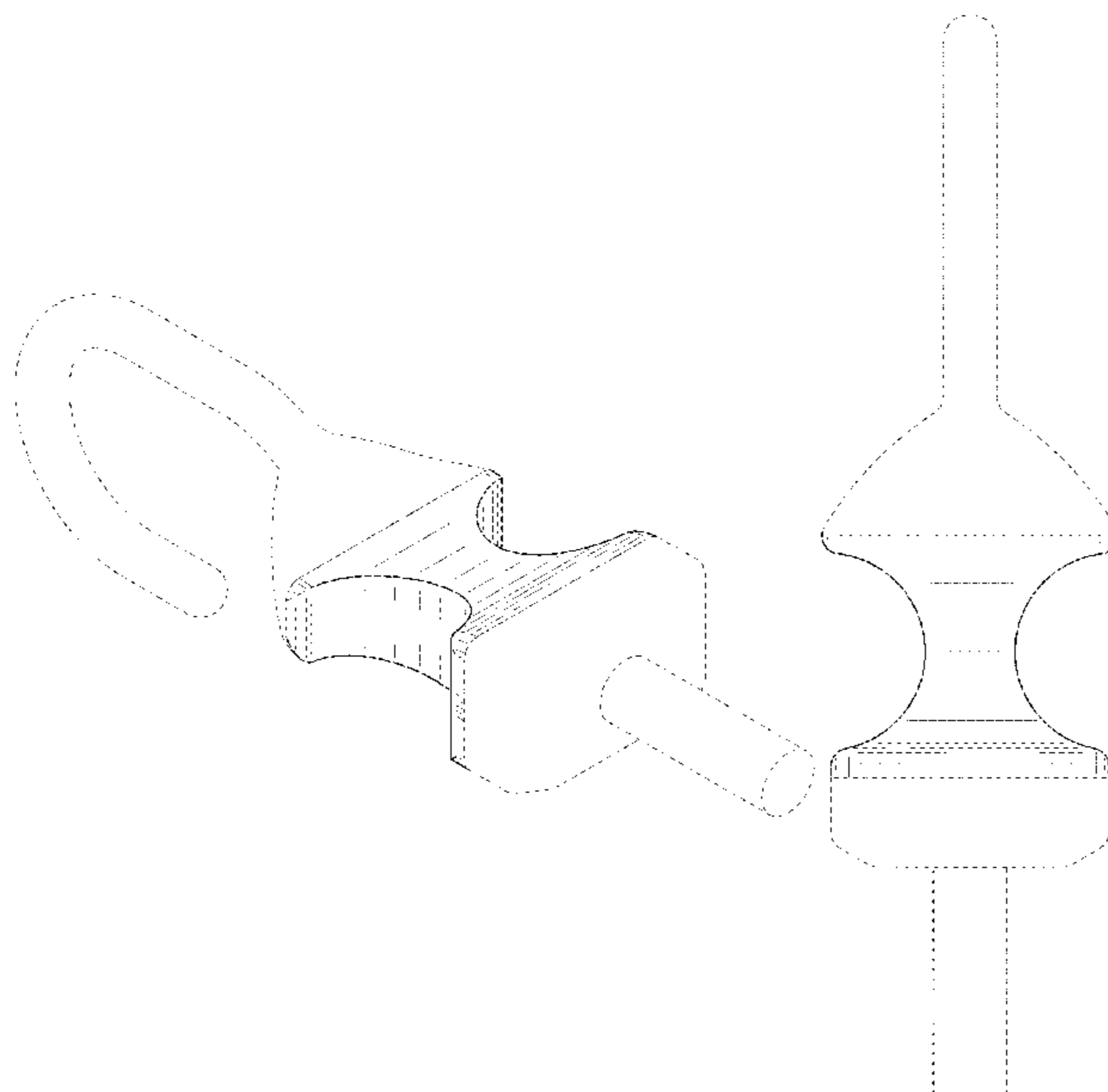
(57) **CLAIM**

The ornamental design for a hook, as shown and described.

DESCRIPTION

FIG. 1 is a perspective view of a hook according to the invention showing the top, back and side.
FIG. 2 is a top view of the hook.
FIG. 3 is a bottom view of the hook.
FIG. 4 is a right side view of the hook.
FIG. 5 is a left side view of the hook.
FIG. 6 is a front view of the hook; and,
FIG. 7 is a back view of the hook.
The dot dash dot lines immediately adjacent to the shaded areas represent bounds of the claimed design. The broken lines in the drawings illustrate portions of a hook which form no part of the claimed design.

1 Claim, 6 Drawing Sheets



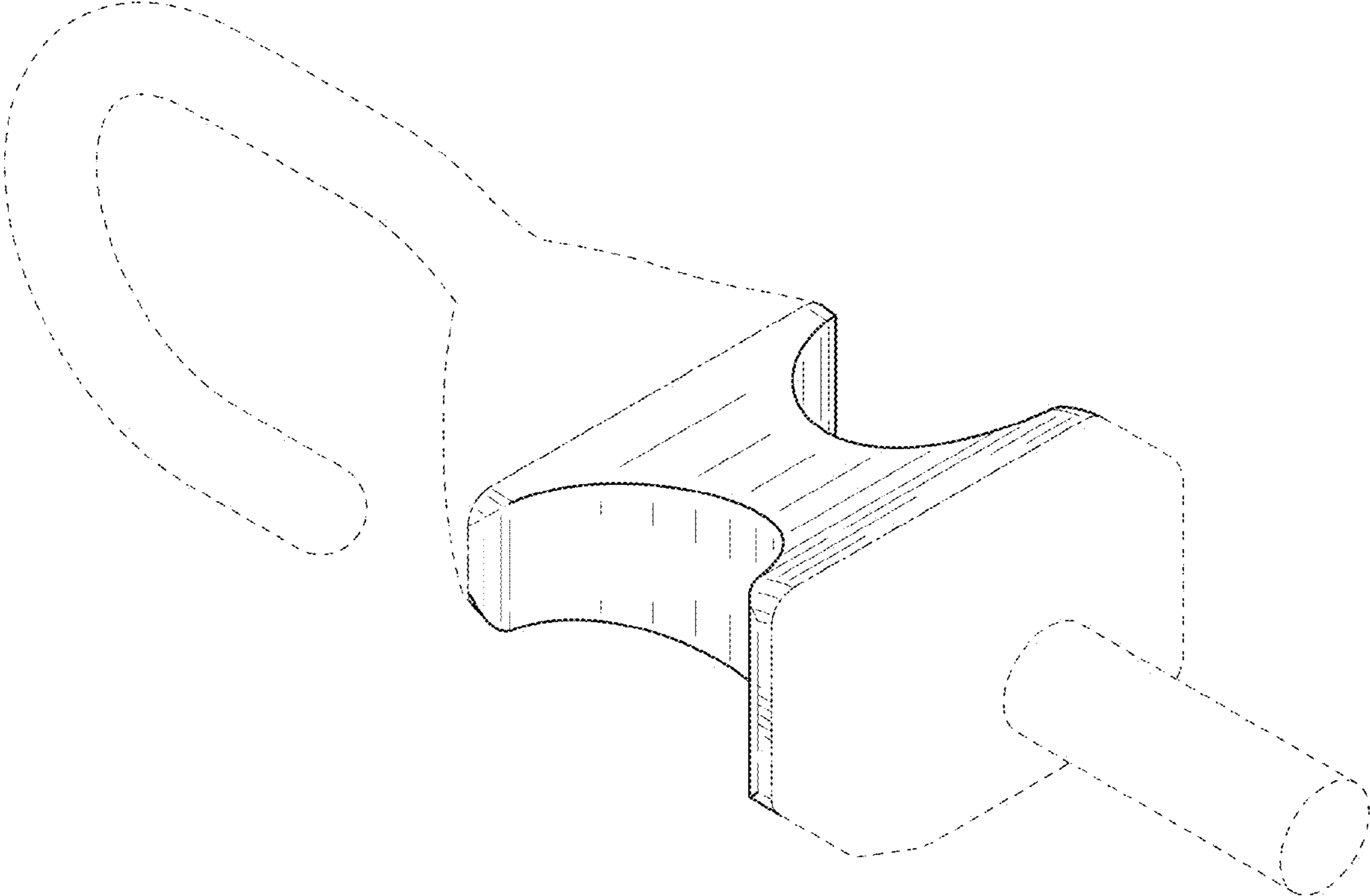


FIG. 1

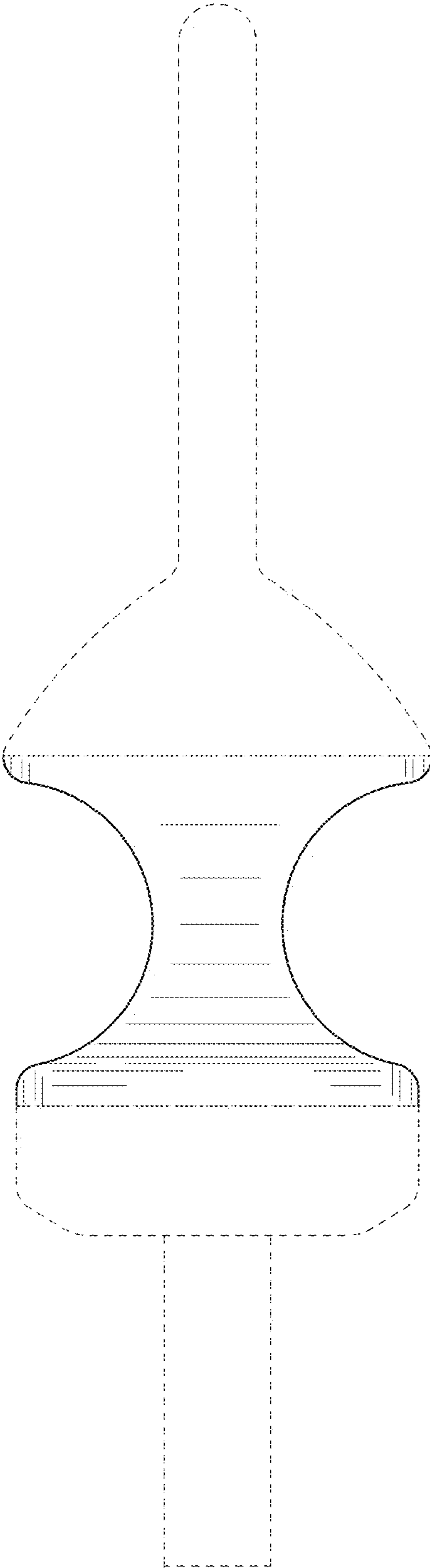


FIG. 2

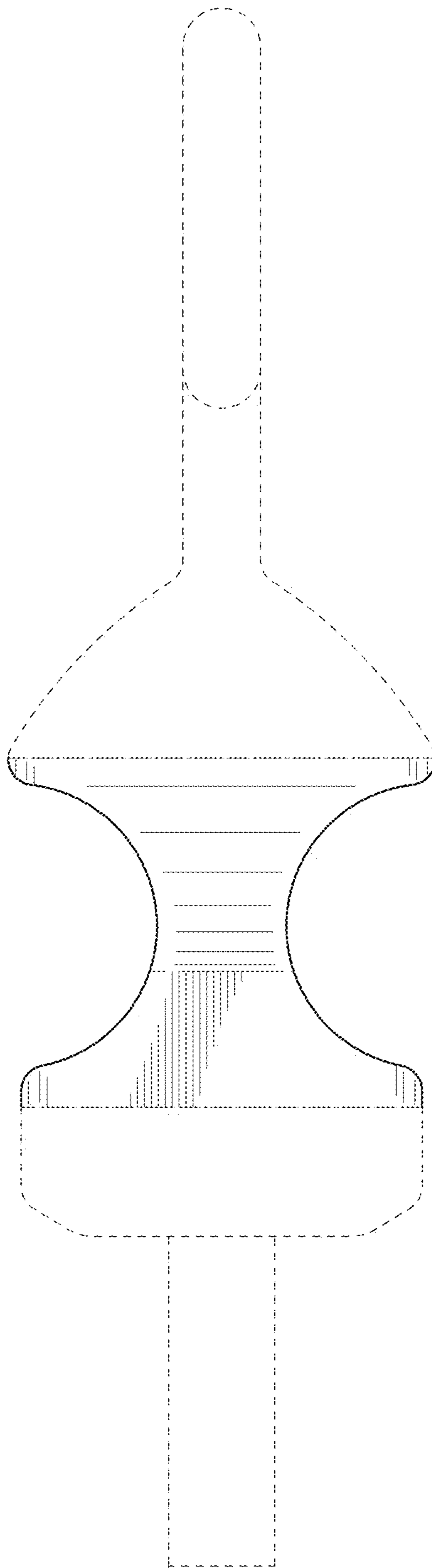


FIG. 3

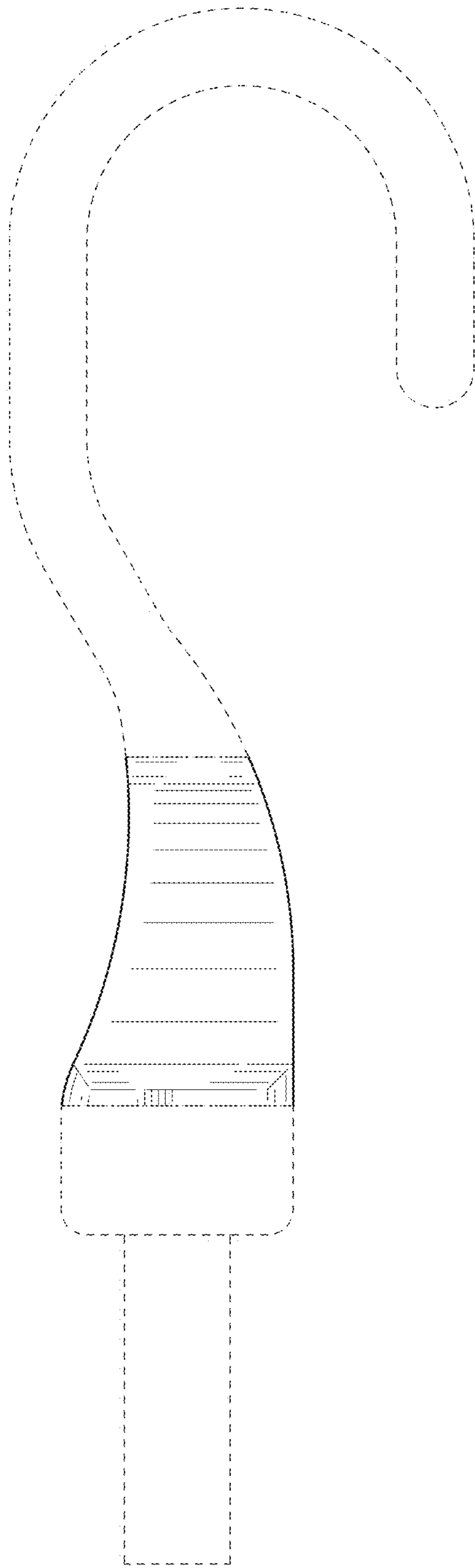


FIG. 4

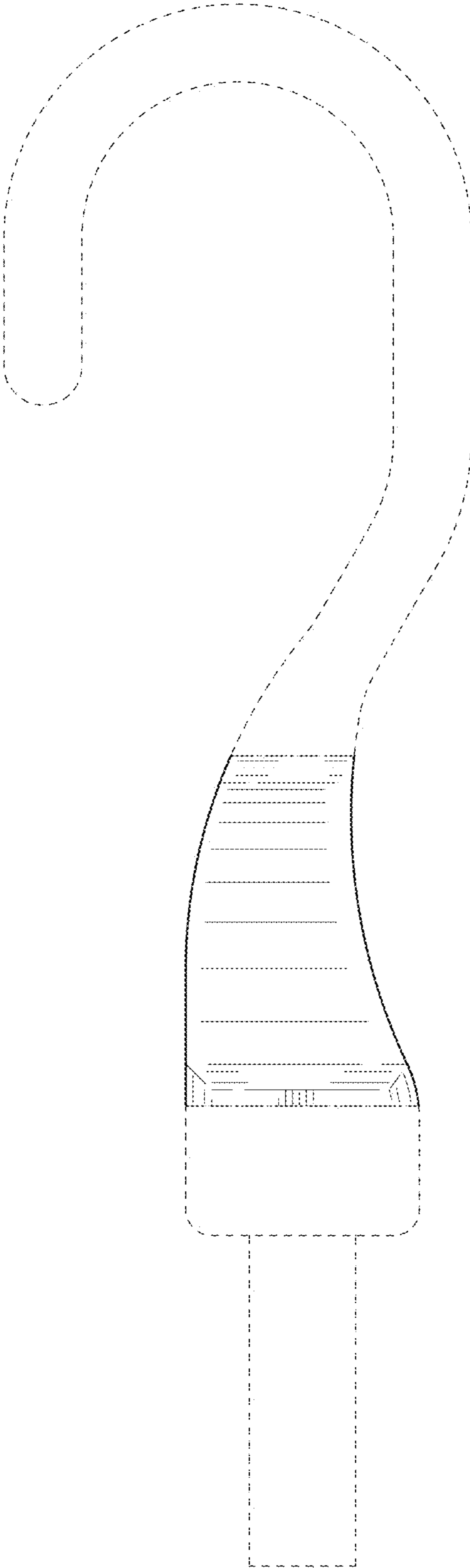


FIG. 5

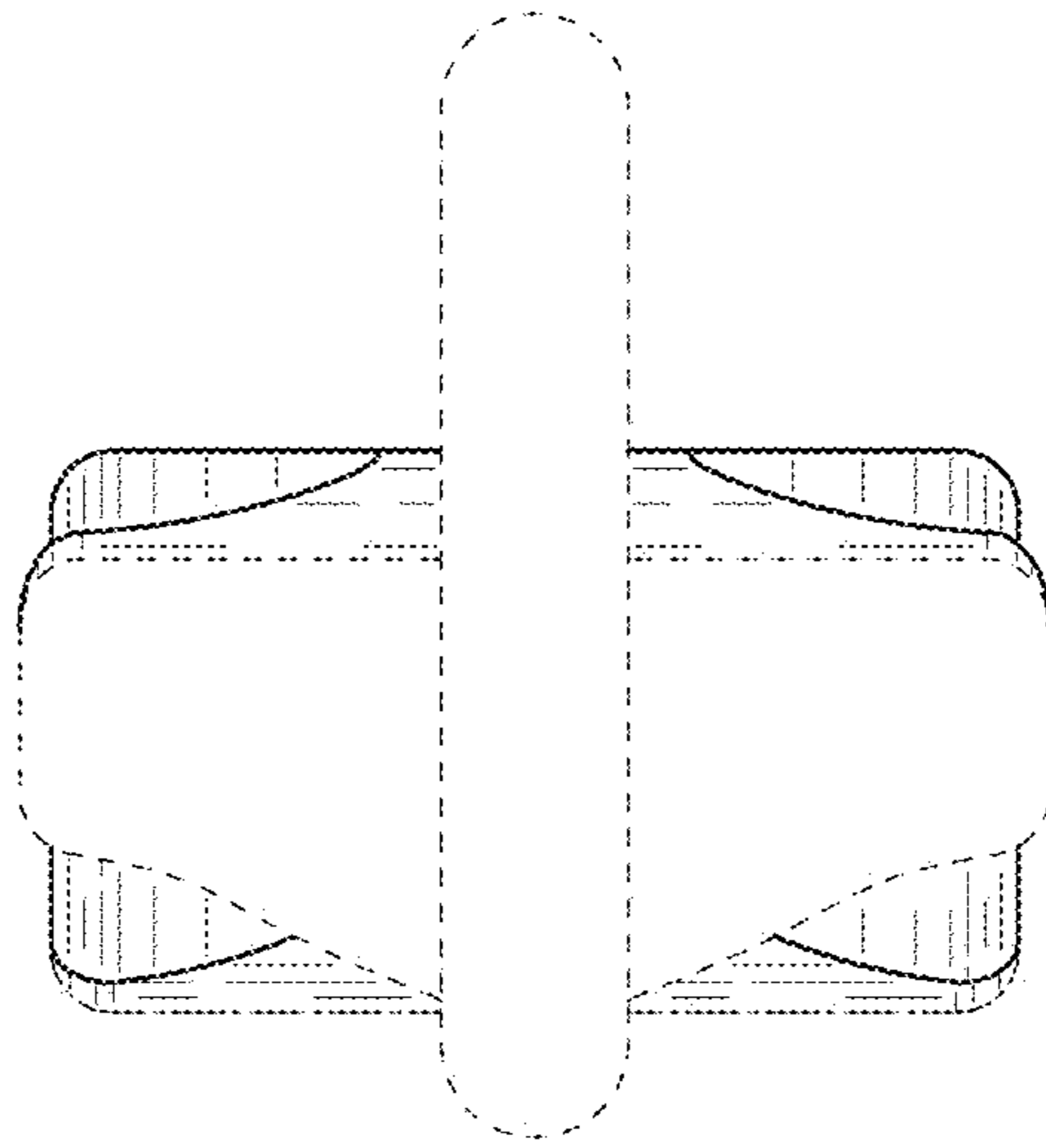


FIG. 6

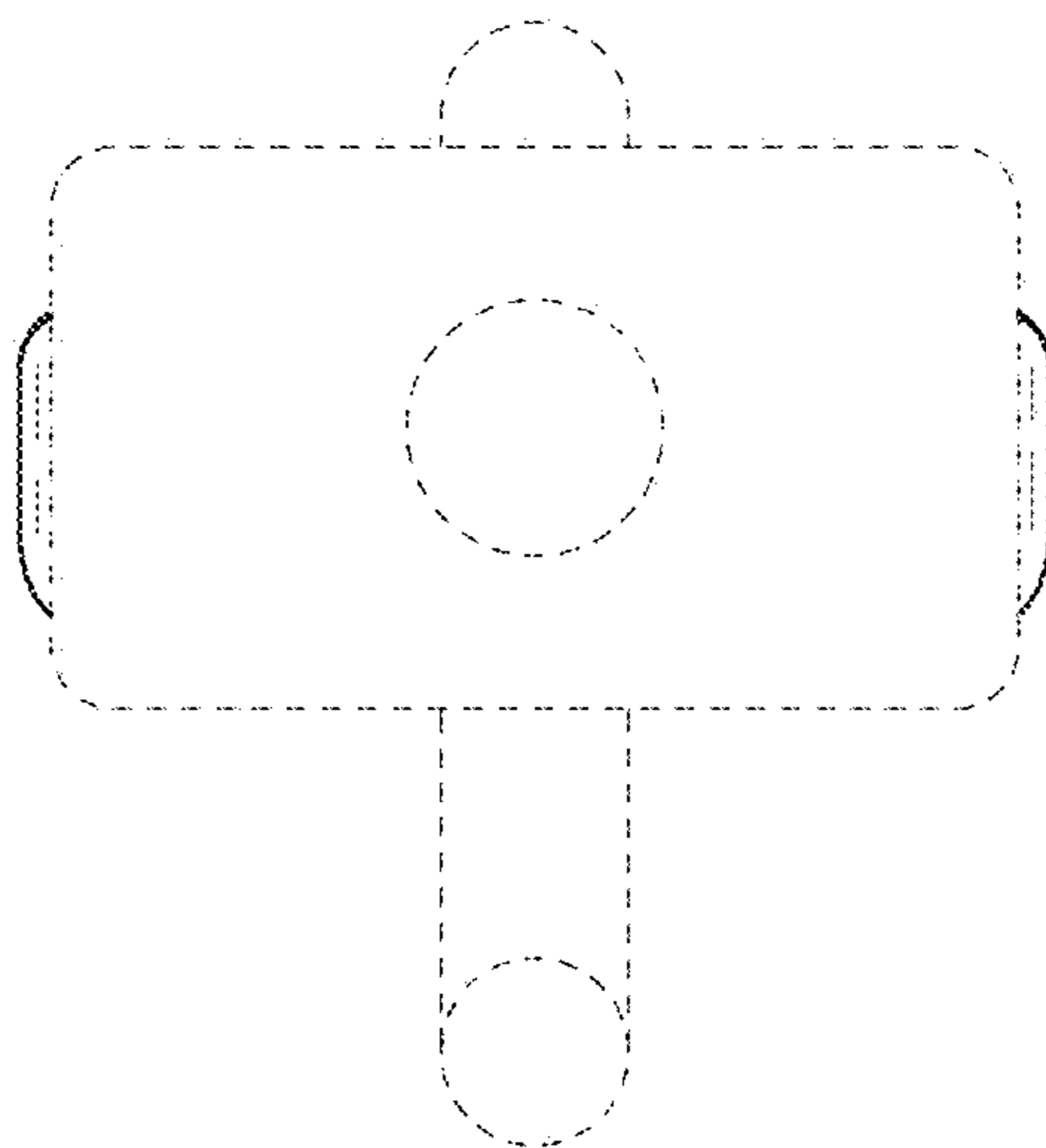


FIG. 7