



US00D976684S

(12) **United States Design Patent**
Shen

(10) **Patent No.:** **US D976,684 S**

(45) **Date of Patent:** **** Jan. 31, 2023**

(54) **STEEL BRACKET**

(71) Applicant: **Yongjian Shen**, Zhejiang (CN)

(72) Inventor: **Yongjian Shen**, Zhejiang (CN)

(**) Term: **15 Years**

(21) Appl. No.: **29/758,703**

(22) Filed: **Nov. 18, 2020**

(51) **LOC (14) Cl.** **08-11**

(52) **U.S. Cl.**
USPC **D8/363**; D8/366

(58) **Field of Classification Search**
USPC D8/374, 363, 366, 373, 376, 380, 381,
D8/371; D6/524, 580
CPC ... F16M 13/02; Y10S 248/906; A47B 96/061;
A47G 1/1646
See application file for complete search history.

(56) **References Cited**

U.S. PATENT DOCUMENTS

D214,383 S *	6/1969	Johnson	D8/371
D248,644 S *	7/1978	Berg, Jr.	174/166 R
D267,699 S *	1/1983	Prawl	D8/380
D357,405 S *	4/1995	Philippi	D6/567

D482,954 S *	12/2003	Hoernig	D8/381
D725,999 S *	4/2015	Wu	D8/373
D730,163 S *	5/2015	Wu	D8/376
D734,657 S *	7/2015	Wu	D8/373
D833,262 S *	11/2018	Royak	D8/373
D845,113 S *	4/2019	Salter	D8/371
D882,291 S *	4/2020	Clarke	D6/580
D893,287 S *	8/2020	Wendling	D8/371
D906,791 S *	1/2021	Harders	D8/394
D909,853 S *	2/2021	Jasmin	D8/354
D931,088 S *	9/2021	Shen	D8/366

* cited by examiner

Primary Examiner — David G Muller

Assistant Examiner — Christina Gabrielle Cosden

(57) **CLAIM**

The ornamental design for a steel bracket, as shown and described.

DESCRIPTION

FIG. 1 is a perspective view of a steel bracket showing my new design;

FIG. 2 is a front view thereof;

FIG. 3 is a back view thereof;

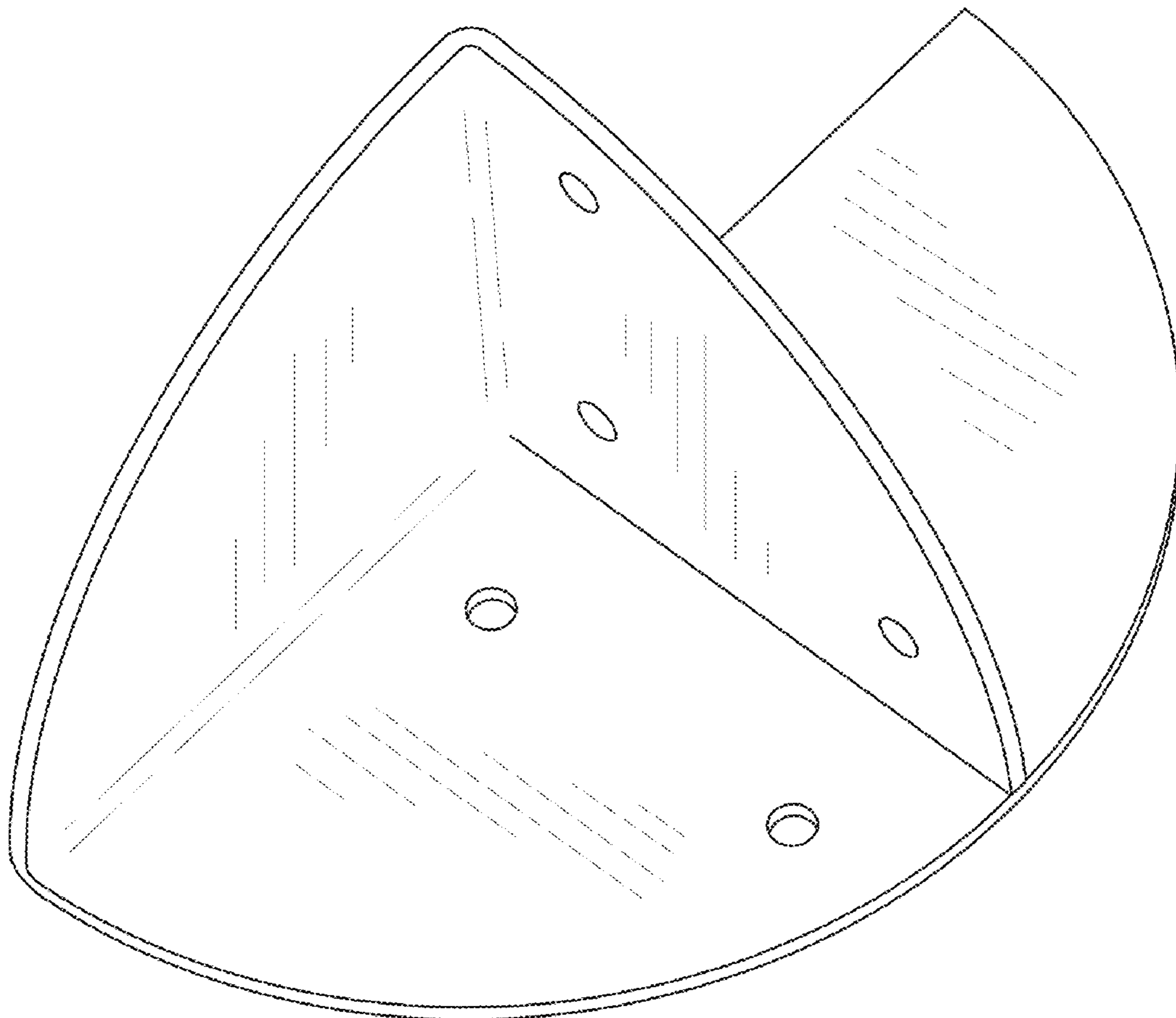
FIG. 4 is a left side thereof;

FIG. 5 is a right side thereof.

FIG. 6 is a top view thereof; and,

FIG. 7 is a bottom view thereof.

1 Claim, 7 Drawing Sheets



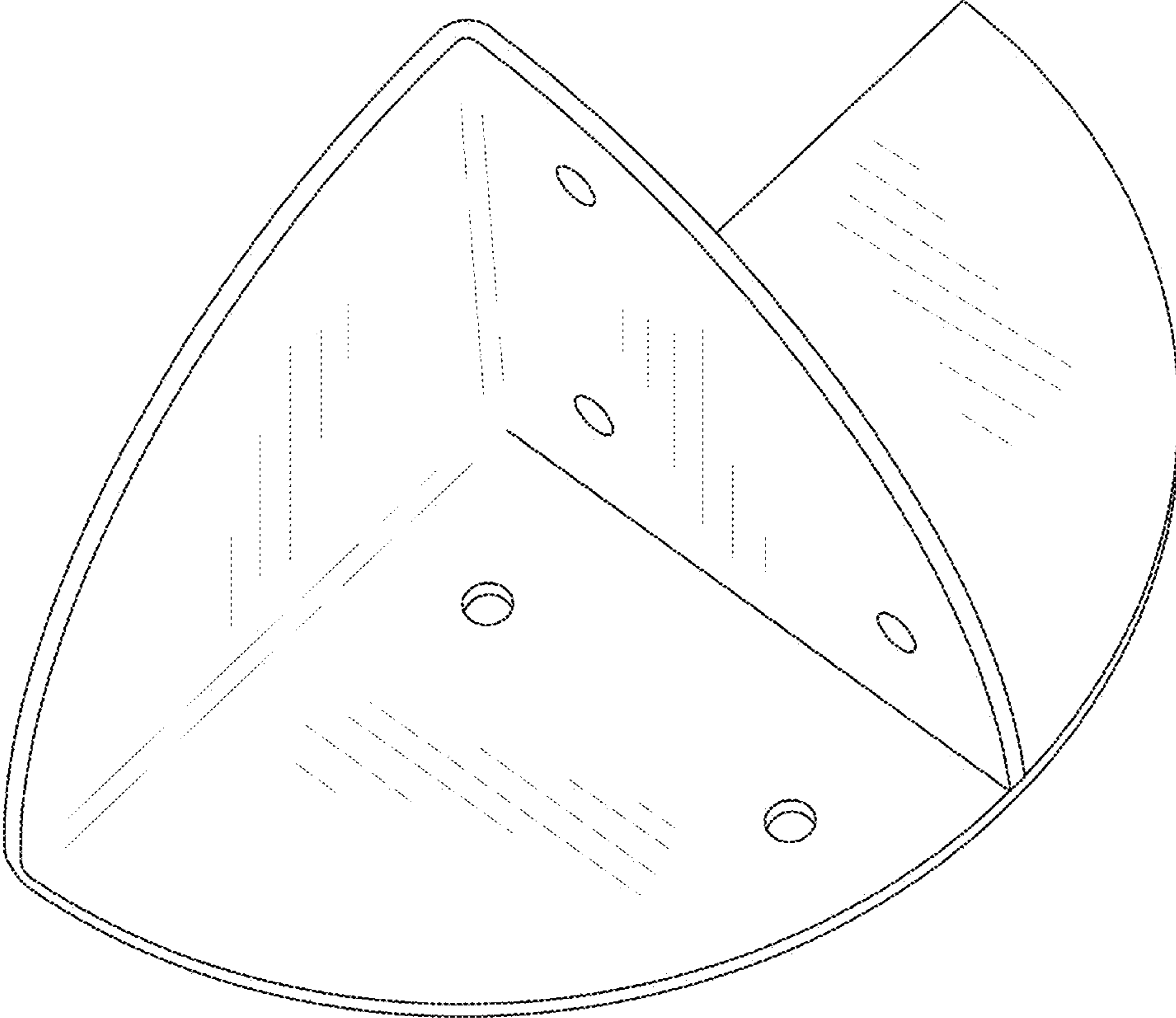


FIG.1

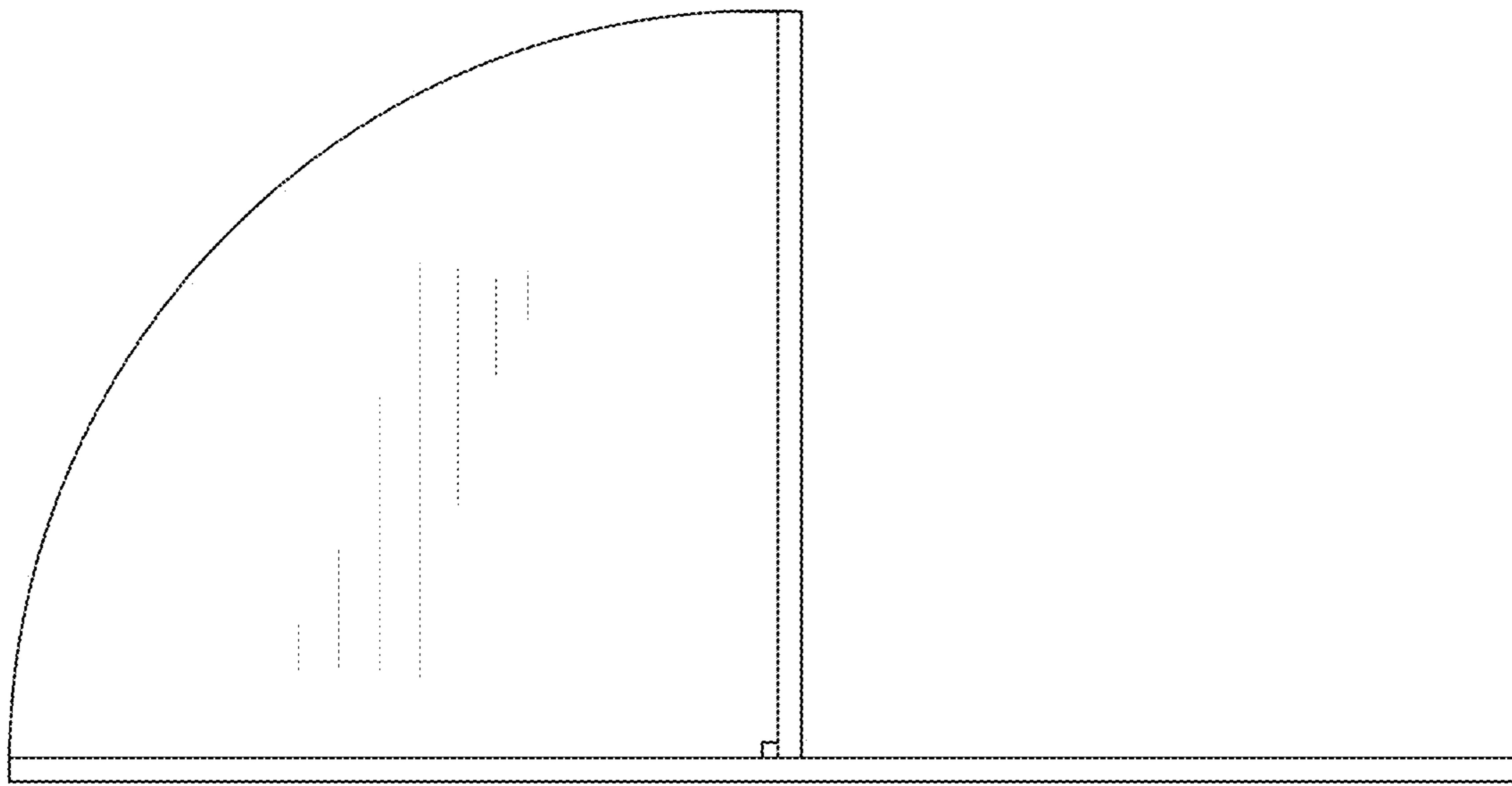


FIG. 2

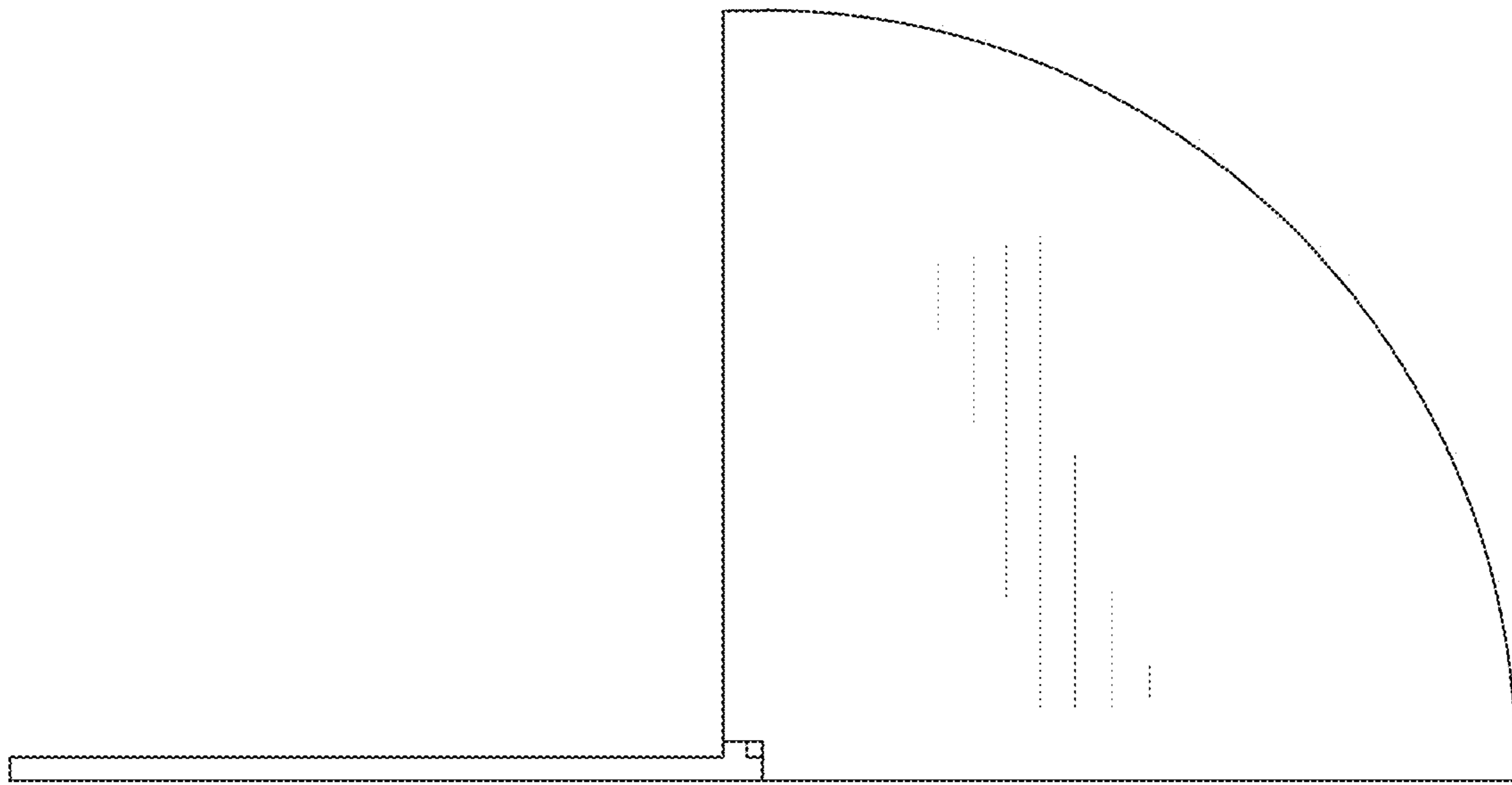


FIG.3

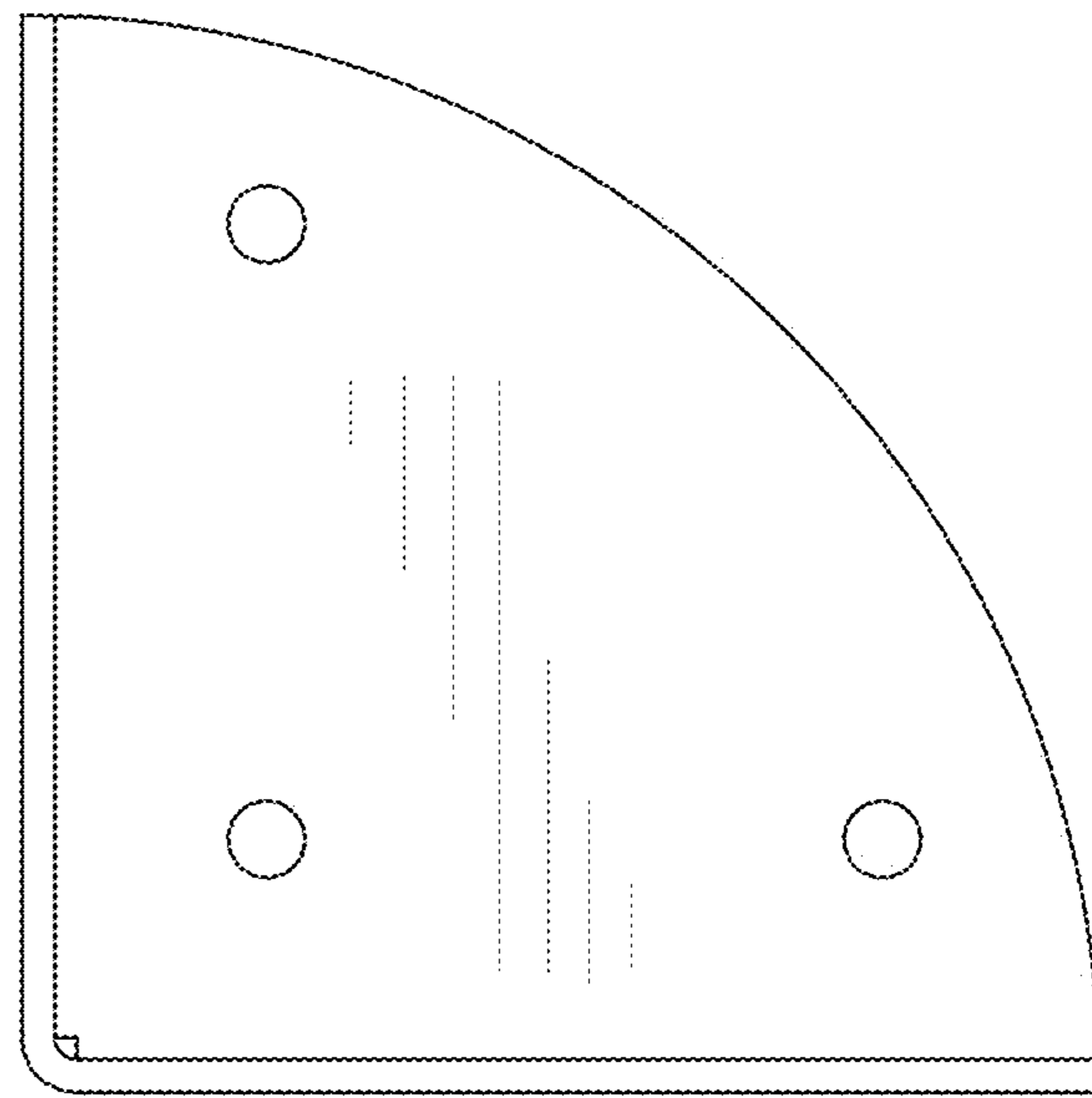


FIG. 4

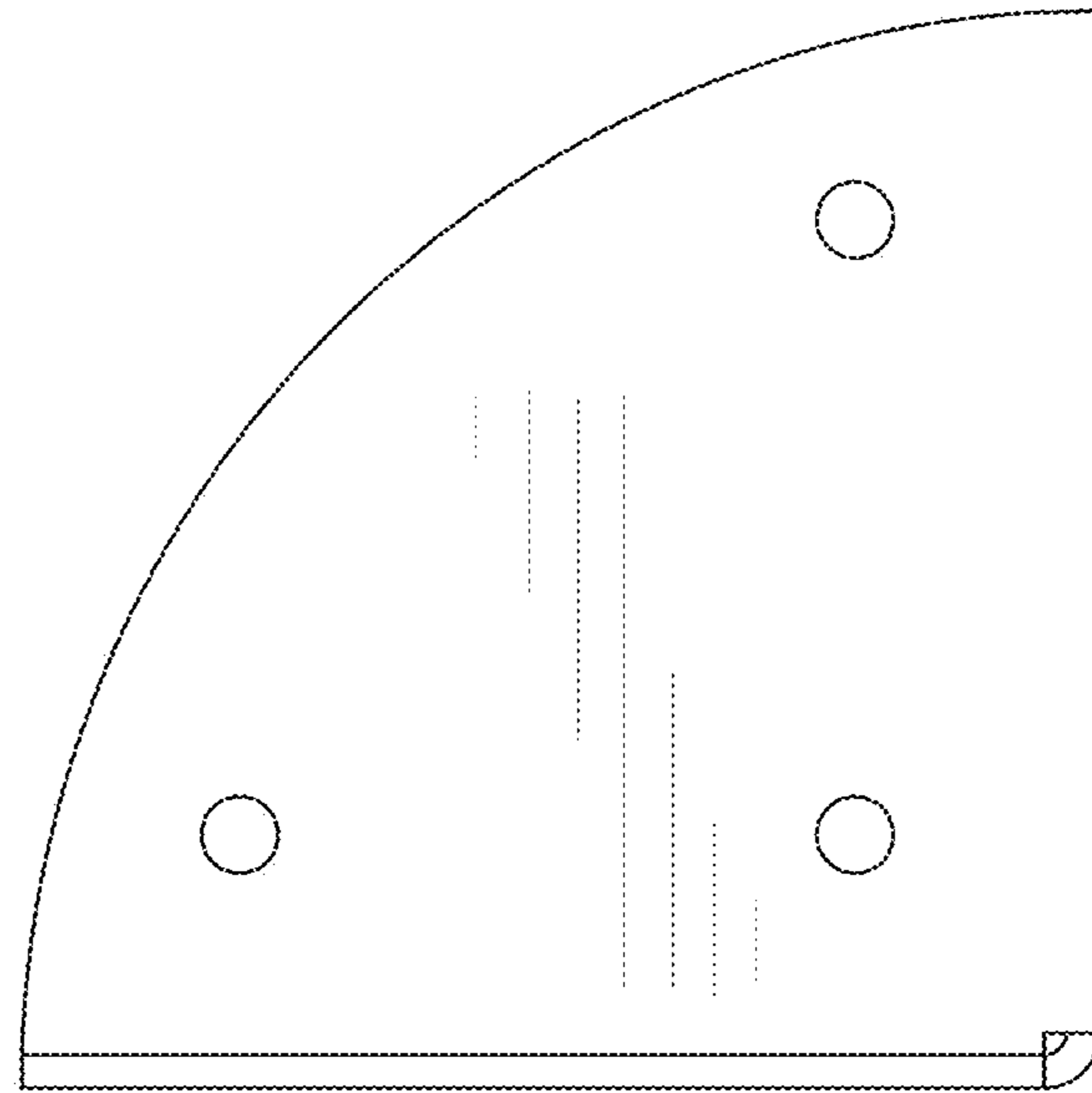


FIG. 5

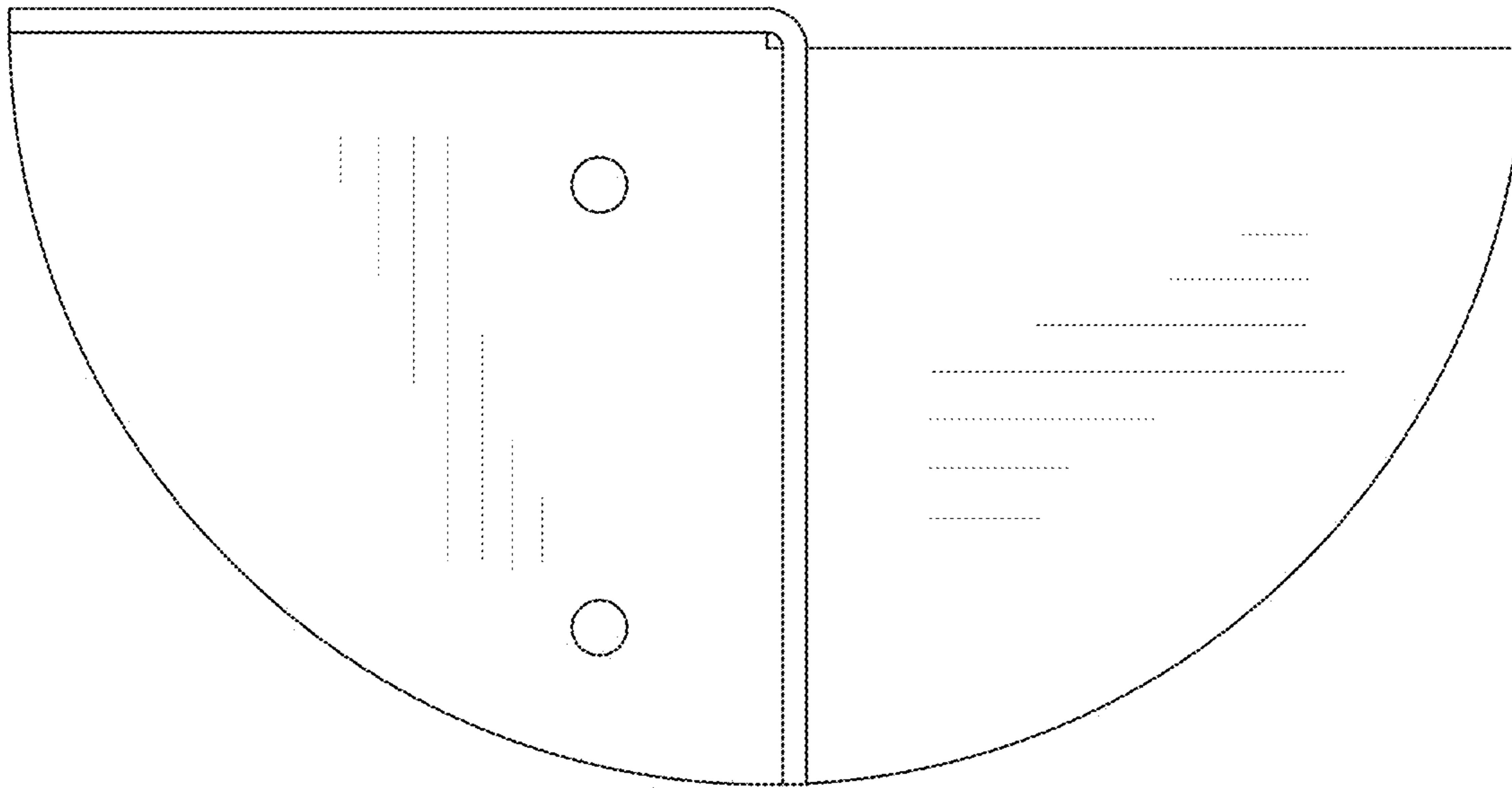


FIG.6

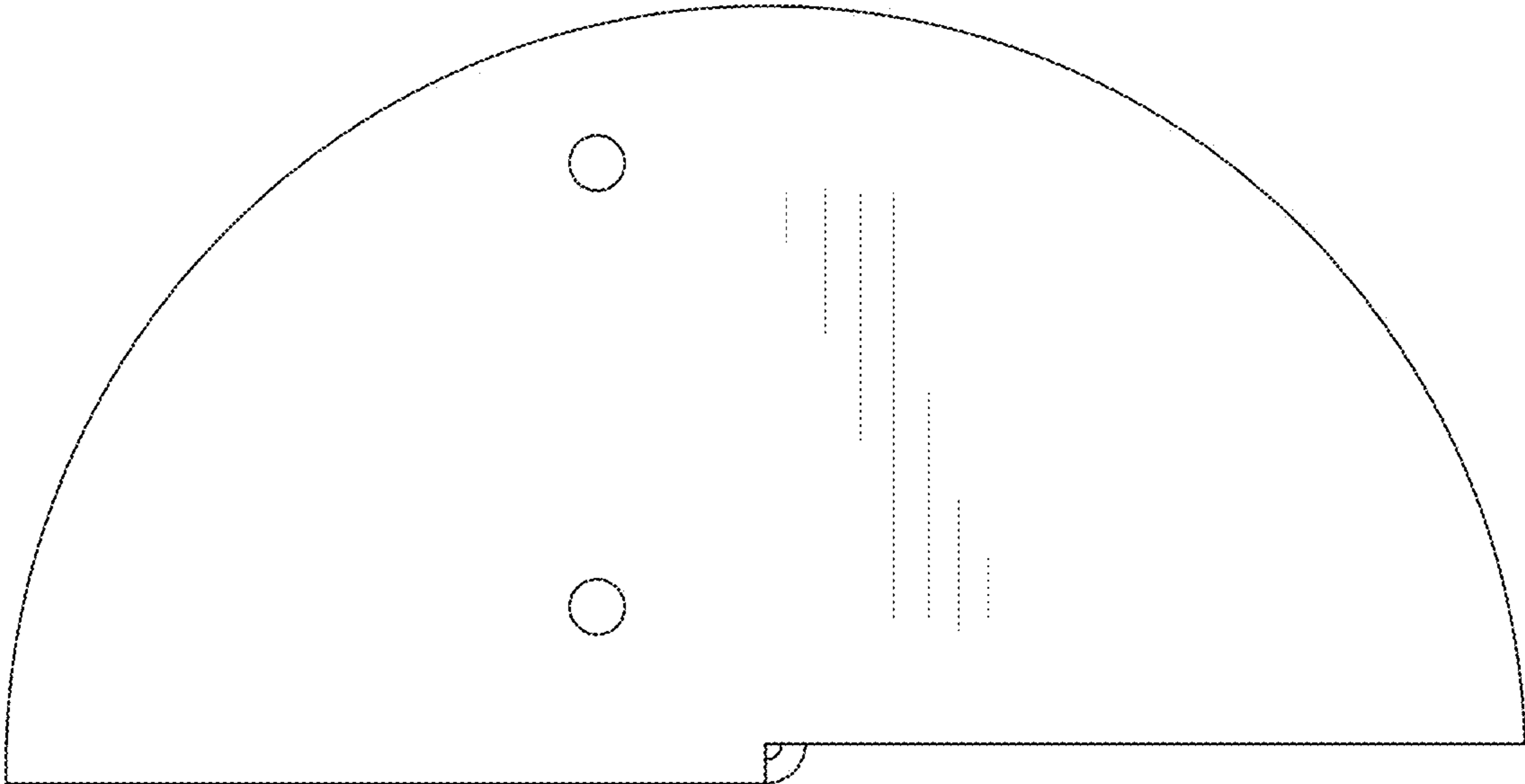


FIG. 7