



US00D976683S

(12) **United States Design Patent**
Walker

(10) **Patent No.:** **US D976,683 S**
(45) **Date of Patent:** **** Jan. 31, 2023**

(54) **CARABINER**
(71) Applicant: **TruBlue LLC**, Louisville, CO (US)
(72) Inventor: **Ryan Daniel Walker**, Broomfield, CO (US)

1,576,352 A 3/1926 Nordling
1,873,196 A 8/1932 Harris et al.
1,935,711 A 11/1933 Hecox
1,958,877 A 5/1934 Yake
2,229,935 A 1/1941 Powers
(Continued)

(73) Assignee: **TruBlue LLC**, Louisville, CO (US)
(**) Term: **15 Years**

FOREIGN PATENT DOCUMENTS

DE 4237263 7/1994
EP 0131384 1/1985
(Continued)

(21) Appl. No.: **29/825,072**

(22) Filed: **Jan. 28, 2022**

OTHER PUBLICATIONS

PCT International Preliminary Report on Patentability in Application PCT/US2018/016475, dated Aug. 15, 2019, 8 pgs.
(Continued)

Related U.S. Application Data

(62) Division of application No. 29/717,694, filed on Dec. 18, 2019, now Pat. No. Des. 945,252.

(51) **LOC (14) Cl.** **09-06**

(52) **U.S. Cl.**
USPC **D8/356**

(58) **Field of Classification Search**
USPC D8/356, 354, 105, 349, 367; D3/207;
119/865; 24/684
CPC B65H 57/16; B63B 21/045; A63B 29/08;
A63B 27/02
See application file for complete search history.

Primary Examiner — Cynthia R Underwood
(74) *Attorney, Agent, or Firm* — Merchant & Gould P.C.

(57) **CLAIM**

The ornamental design for a carabiner, as shown and described.

DESCRIPTION

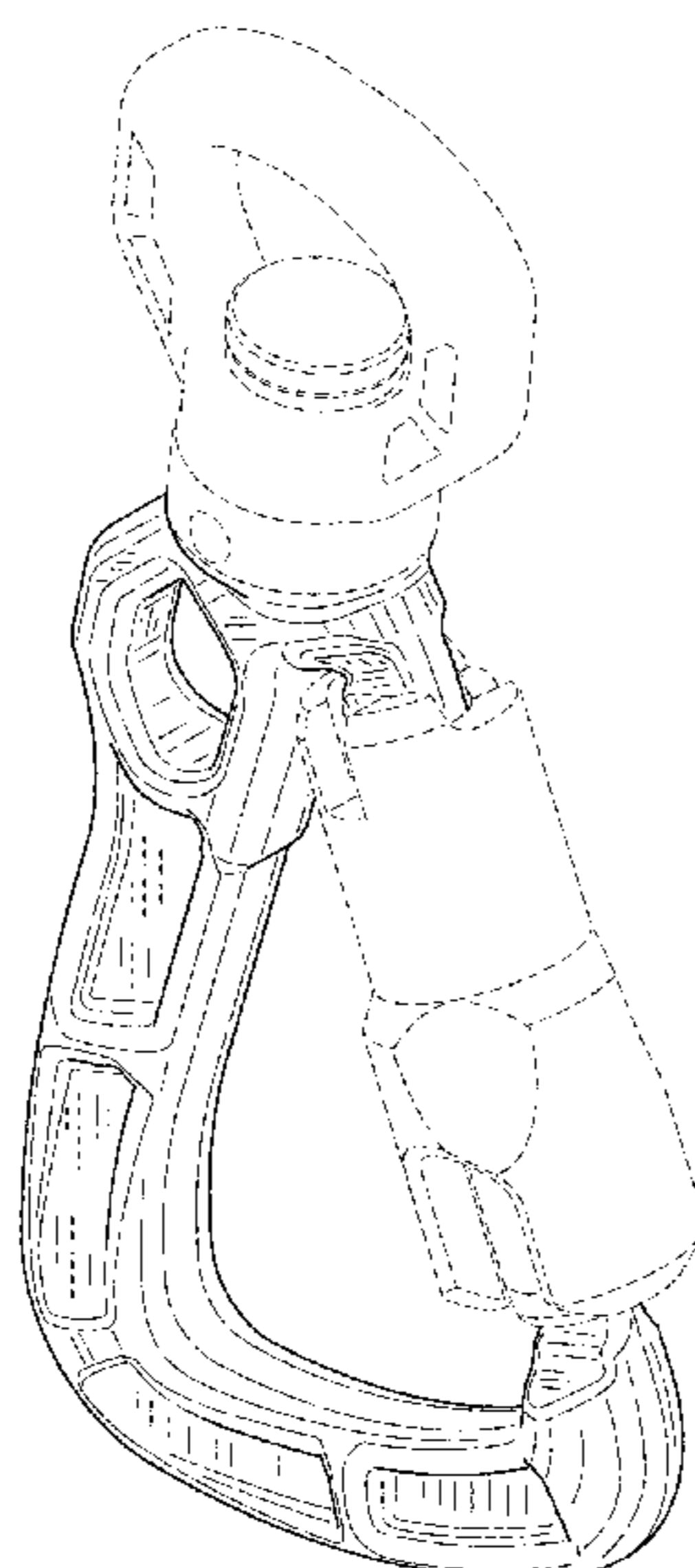
FIG. 1 is a top perspective view of a carabiner showing the new design.
FIG. 2 is a bottom perspective view of the carabiner of FIG. 1.
FIG. 3 is a front view of the carabiner of FIG. 1.
FIG. 4 is a back view of the carabiner of FIG. 1.
FIG. 5 is a right side view of the carabiner of FIG. 1.
FIG. 6 is a left side view of the carabiner of FIG. 1.
FIG. 7 is a top view of the carabiner of FIG. 1; and,
FIG. 8 is a bottom view of the carabiner of FIG. 1.
The broken lines represent portions of the structure that form no part of the claim.

(56) **References Cited**

U.S. PATENT DOCUMENTS

245,893 A 8/1881 Tunnington
370,983 A 10/1887 Stahl
479,524 A 7/1892 Nicholson
546,084 A 9/1895 Webb
547,528 A 10/1895 Weaver et al.
654,687 A 7/1900 Suter
926,156 A 6/1909 Waterhouse et al.
1,087,062 A 2/1914 Izett
1,087,063 A 2/1914 Izett
1,228,694 A 6/1917 Nectcott
1,371,619 A 3/1921 Greenstreet
1,490,619 A 4/1924 Manikowske et al.

1 Claim, 7 Drawing Sheets



(56)

References Cited

U.S. PATENT DOCUMENTS

2,812,010	A	11/1957	Abdallah		D670,995	S	11/2012	Stieler	
3,040,678	A	6/1962	McEwen		8,336,463	B2	12/2012	Smith	
3,070,035	A	12/1962	Russo et al.		D675,806	S *	2/2013	Caul	D2/500
3,192,872	A	7/1965	Parent		D680,851	S	4/2013	Lo	
3,194,598	A	7/1965	Goldfuss		8,424,460	B2	4/2013	Lerner et al.	
3,398,714	A	8/1968	Wallin et al.		8,601,951	B2	12/2013	Lerner	
3,480,272	A	11/1969	Ziebart		8,695,913	B2	4/2014	Cheng	
3,759,190	A	9/1973	Harvey		D719,798	S	12/2014	Thompson	
4,062,293	A	12/1977	Davis		8,985,027	B2	3/2015	Brown	
4,159,113	A	6/1979	Callecod		8,998,151	B2	4/2015	Hoek	
4,440,432	A	4/1984	Goris		9,016,649	B2	4/2015	Nolle	
4,528,728	A	7/1985	Schmidt		D730,159	S *	5/2015	Grimm	D8/356
4,621,851	A	11/1986	Bailey, Jr.		9,033,115	B2	5/2015	Lerner	
4,721,268	A	1/1988	Lerner et al.		D735,018	S	7/2015	McEvelly	
4,892,508	A	1/1990	Ryan		D740,645	S *	10/2015	Koreishi	D8/367
4,948,118	A	8/1990	Miraglia		D742,212	S	11/2015	Hsu	
5,002,420	A	3/1991	Loyd		9,242,659	B2	1/2016	Bernier	
5,094,171	A	3/1992	Fujita		9,322,428	B2	4/2016	Perner	
5,113,768	A	5/1992	Brown		9,381,926	B2	7/2016	Brannan	
5,224,425	A	7/1993	Remington		D767,500	S	9/2016	Byrne	
5,261,343	A	11/1993	Elterman et al.		D768,089	S	10/2016	Liu	
D342,665	S *	12/1993	Rekuc	D8/367	D773,414	S	12/2016	Hoffman	
5,316,246	A	5/1994	Scott		D774,002	S	12/2016	Hsieh	
D348,385	S *	7/1994	Krauss	D8/367	D774,383	S	12/2016	Kennedy	
D355,585	S *	2/1995	Terada	D8/367	D785,316	S *	5/2017	Grossman	D8/356
D372,188	S	7/1996	Van Dyke		D790,127	S	6/2017	Verleur	
D382,190	S	8/1997	Blackston et al.		D794,725	S	8/2017	Lamothe	
5,701,824	A	12/1997	Johnson et al.		D799,941	S	10/2017	Rotherberg	
D391,694	S *	3/1998	Eichhorn	119/784	D802,168	S	11/2017	Lee	
D391,840	S *	3/1998	Striebel	D8/367	D802,866	S	11/2017	Williams	
D394,202	S *	5/1998	Anscher	D8/367	D805,879	S	12/2017	Garcia	
D402,189	S *	12/1998	Izumi	D8/382	D807,735	S	1/2018	Nimgulkar et al.	
5,904,099	A	5/1999	Danneker		D811,857	S	3/2018	Williams	
5,931,100	A	8/1999	Sutton et al.		D821,090	S *	6/2018	Case	D8/356
5,954,301	A	9/1999	Joseph		9,988,252	B1	6/2018	Kunstadt	
6,164,582	A	12/2000	Vara		D822,122	S	7/2018	Bilezikian	
6,206,330	B1	3/2001	Oi		D822,461	S	7/2018	Han	
D449,580	S	10/2001	Gee, II		D822,462	S	7/2018	Han	
6,363,589	B1	4/2002	Calloway		D822,463	S	7/2018	Han	
6,363,858	B1	4/2002	Voirin		D823,710	S	7/2018	Schone et al.	
6,588,076	B1	7/2003	Choate		10,023,207	B2	7/2018	Brown	
6,640,727	B2	11/2003	Ostrobrod		10,023,208	B2	7/2018	Brown	
D484,035	S	12/2003	Smith-Keilland et al.		10,046,745	B2	8/2018	McGowan	
6,666,773	B1	12/2003	Richardson		10,060,466	B2 *	8/2018	Kaneko	F16B 45/02
D488,054	S	4/2004	Myers		10,065,507	B1	9/2018	Lerner	
D491,049	S *	6/2004	Kung	D8/367	D833,854	S	11/2018	Yamamoto	
6,810,818	B2	11/2004	Petzl et al.		D834,402	S	11/2018	Bailey	
D549,557	S	8/2007	Mori et al.		D835,497	S	12/2018	Rindy et al.	
D568,254	S	5/2008	Patchett		D835,974	S	12/2018	Moore et al.	
D569,234	S	5/2008	Young, IV		D835,975	S	12/2018	Putnam, Jr.	
D569,236	S	5/2008	Young, IV		D837,635	S *	1/2019	Petzl	D8/356
D569,712	S	5/2008	Young, IV		D841,440	S	2/2019	Bailey	
7,381,137	B2	6/2008	Steele et al.		D843,813	S	3/2019	Tillitski	
D572,573	S	7/2008	Abels		10,333,378	B2	6/2019	Lerner	
D575,143	S	8/2008	Kuo et al.		D852,609	S *	7/2019	LeBeau	D8/356
D579,763	S *	11/2008	Uehara	D8/367	D862,205	S	10/2019	Bailey	
D583,654	S *	12/2008	Uehara	D8/367	D865,492	S	11/2019	Bailey	
D589,899	S	4/2009	Huang		D869,937	S	12/2019	Walker	
D595,120	S	6/2009	Plowman		10,532,662	B2	1/2020	McGowan	
D596,128	S	7/2009	Hung		10,544,822	B2	1/2020	Bailey	
7,610,706	B2	11/2009	Pitcher et al.		D882,378	S *	4/2020	Graykowski	D8/356
7,624,684	B2	12/2009	Morris		D892,600	S *	8/2020	Schmitz	D8/367
D613,697	S	4/2010	Symons		D892,601	S *	8/2020	Schmitz	D8/367
D617,741	S	6/2010	Fennell		D894,718	S *	9/2020	Kramer	D8/356
7,819,066	B2	10/2010	Smith		D902,009	S *	11/2020	Yang	D8/356
7,825,337	B2	11/2010	Young, IV		D933,462	S *	10/2021	Zunzunegui	D8/367
D640,527	S	6/2011	Hoek		D945,252	S	3/2022	Walker	
D644,501	S	9/2011	Chen		11,293,478	B2	4/2022	Walker	
8,016,073	B2	9/2011	Petzl et al.		2002/0050032	A1	5/2002	Carnall	
D648,685	S	11/2011	Symons		2002/0162477	A1	11/2002	Palumbo	
D649,024	S *	11/2011	Takazakura	D8/367	2002/0179372	A1	12/2002	Schreiber	
D657,869	S	4/2012	Mammen		2004/0020402	A1	2/2004	Petzl et al.	
D658,094	S	4/2012	Dunn		2004/0118982	A1	6/2004	Shillings	
D665,655	S *	8/2012	Ishii	D8/367	2005/0189453	A1	9/2005	DeGuevera	
D668,620	S	10/2012	Convert		2005/0246874	A1	11/2005	Hsu	
					2006/0087139	A1	4/2006	Ayres	
					2006/0137151	A1	6/2006	Thompson	
					2006/0179784	A1 *	8/2006	Chen	F16B 45/00

(56)

References Cited

U.S. PATENT DOCUMENTS

2007/0235597 A1 10/2007 Winchester
 2008/0178760 A1 7/2008 Frangos et al.
 2008/0202375 A1 8/2008 Quattlebaum
 2009/0223406 A1 9/2009 Smith
 2010/0224714 A1 9/2010 Winther et al.
 2010/0288586 A1 11/2010 Gorbounov
 2010/0308149 A1 12/2010 Allington
 2010/0325848 A1 12/2010 Liang
 2011/0023275 A1 2/2011 Thompson
 2011/0083577 A1 4/2011 Tilley
 2011/0239898 A1 10/2011 Brown
 2012/0031296 A1 2/2012 Smith
 2012/0055740 A1 3/2012 Allington
 2013/0327242 A1 12/2013 Bernier
 2014/0245576 A1* 9/2014 Perner F16B 45/02
 24/600.1
 2014/0311376 A1 10/2014 Brannan
 2014/0326161 A1 11/2014 Halliday
 2015/0196820 A1 7/2015 Allington
 2015/0231423 A1* 8/2015 Perner A62B 35/0037
 24/518
 2015/0266454 A1 9/2015 McGowan
 2015/0375758 A1 12/2015 Strasser
 2016/0050481 A1 2/2016 Moats
 2016/0361578 A1* 12/2016 Casebolt A62B 35/0075
 2017/0121154 A1 5/2017 Costa
 2018/0216656 A1 8/2018 Bailey
 2018/0304907 A1 10/2018 Richardson
 2018/0326957 A1 11/2018 McGowan
 2019/0109528 A1 4/2019 Lerner
 2019/0134437 A1 5/2019 Weston et al.

2019/0144244 A1 5/2019 McGowan
 2021/0131481 A1 5/2021 Walker
 2022/0356899 A1 11/2022 Walker

FOREIGN PATENT DOCUMENTS

EP 1386814 2/2004
 GB 920392 3/1963
 GB 1527238 10/1978
 GB 2503737 1/2014
 WO 2009143529 11/2009

OTHER PUBLICATIONS

PCT International Search Report and Written Opinion in International Application PCT/US2018/016475, dated Apr. 16, 2018, 16 pages.
 PCT International Search Report and Written Opinion in International Application PCT/US2020/058898, dated Feb. 25, 2021, 21 pages.
 PETZL Adventure Parks Catalog Z014AA04, 2017, in Spanish, 16 pages (and the English translation for the PETZL Adventure Parks Catalog Z014AC05, (dated 2019), 11 pages, (27 pages all together).
 Rock Exotica LLC, "SwivaEye Auto-Lock Carabiner", Mar. 12, 2019, retrieved from the internet on Feb. 16, 2021 at: <https://web.archive.org/web/20190312071326/https://rockexotica.com/product/swivels/swivaeye/#expand>, 3 pgs.
 PCT International Preliminary Report on Patentability in International Application PCT/US2020/058898, dated May 19, 2022, 11 pages.
 Chinese 1st Office Action in Application 201880021232, dated Jul. 1, 2022, 7 pages.

* cited by examiner

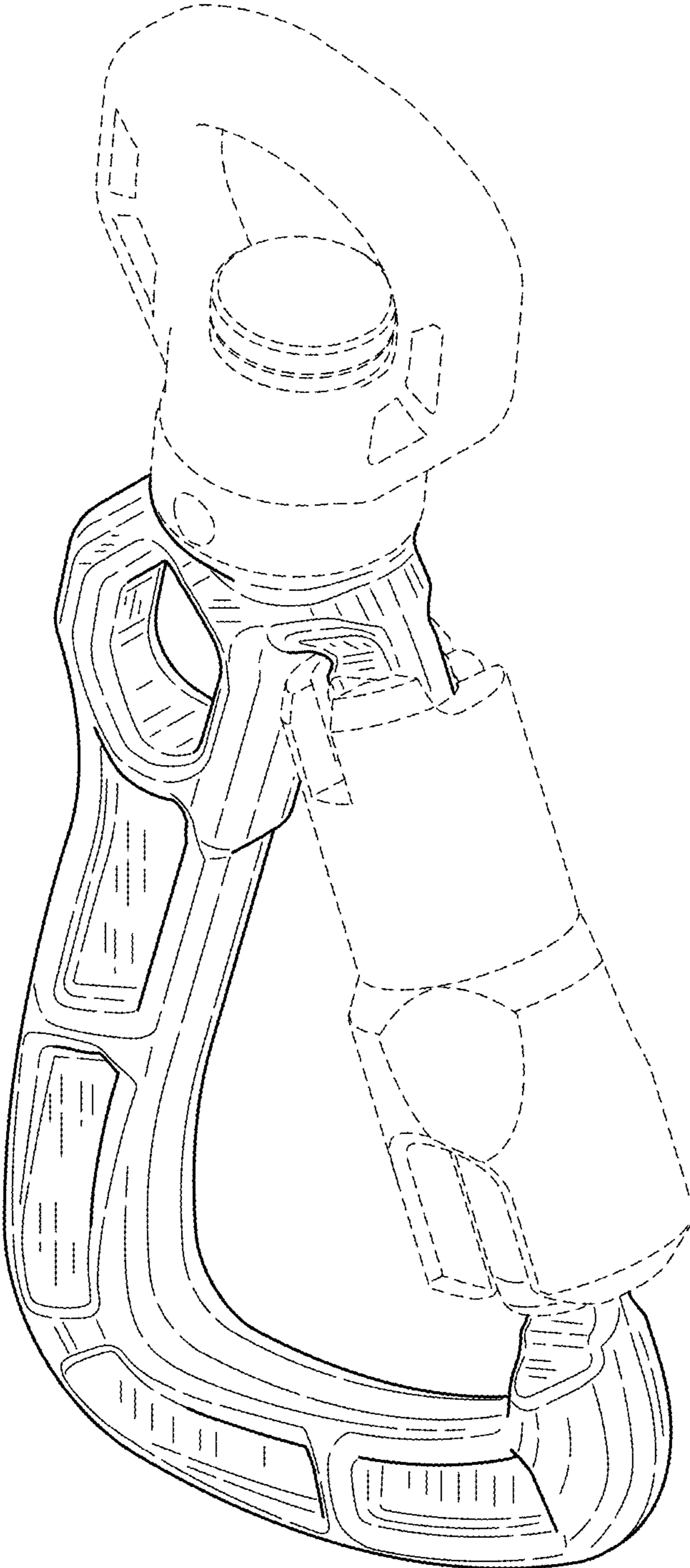


FIG.1

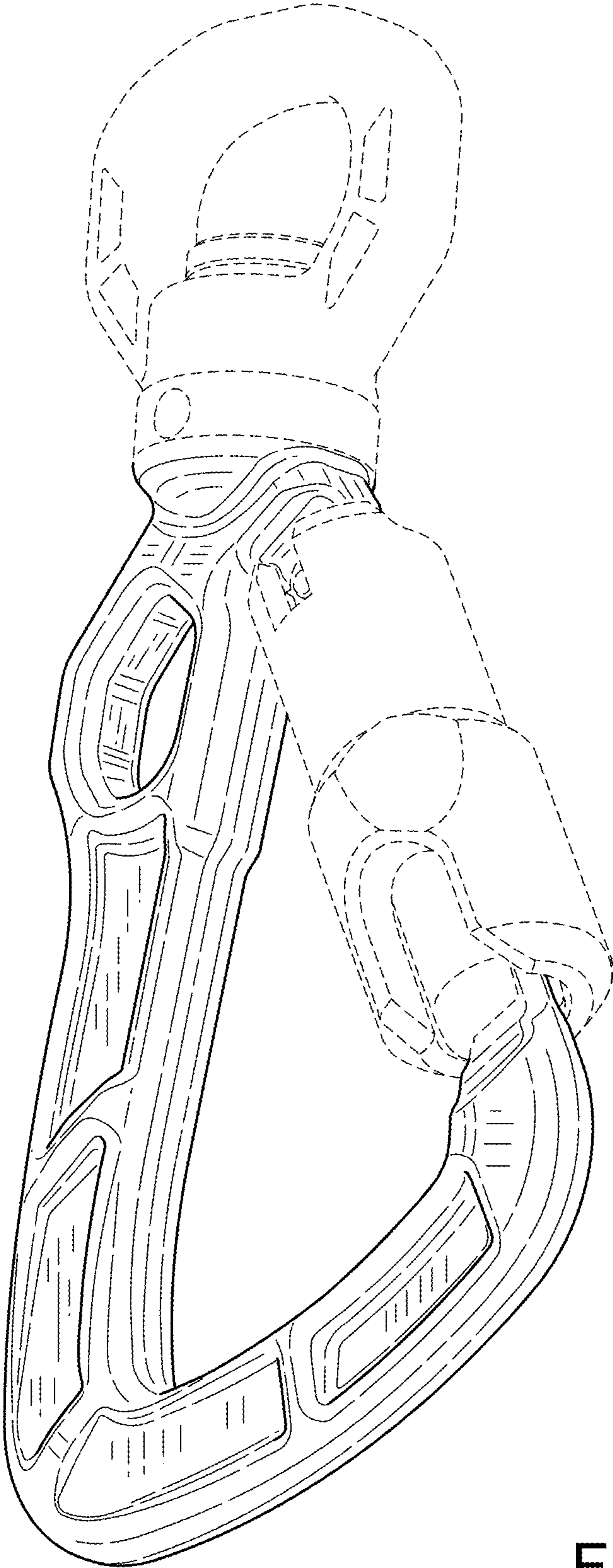


FIG.2

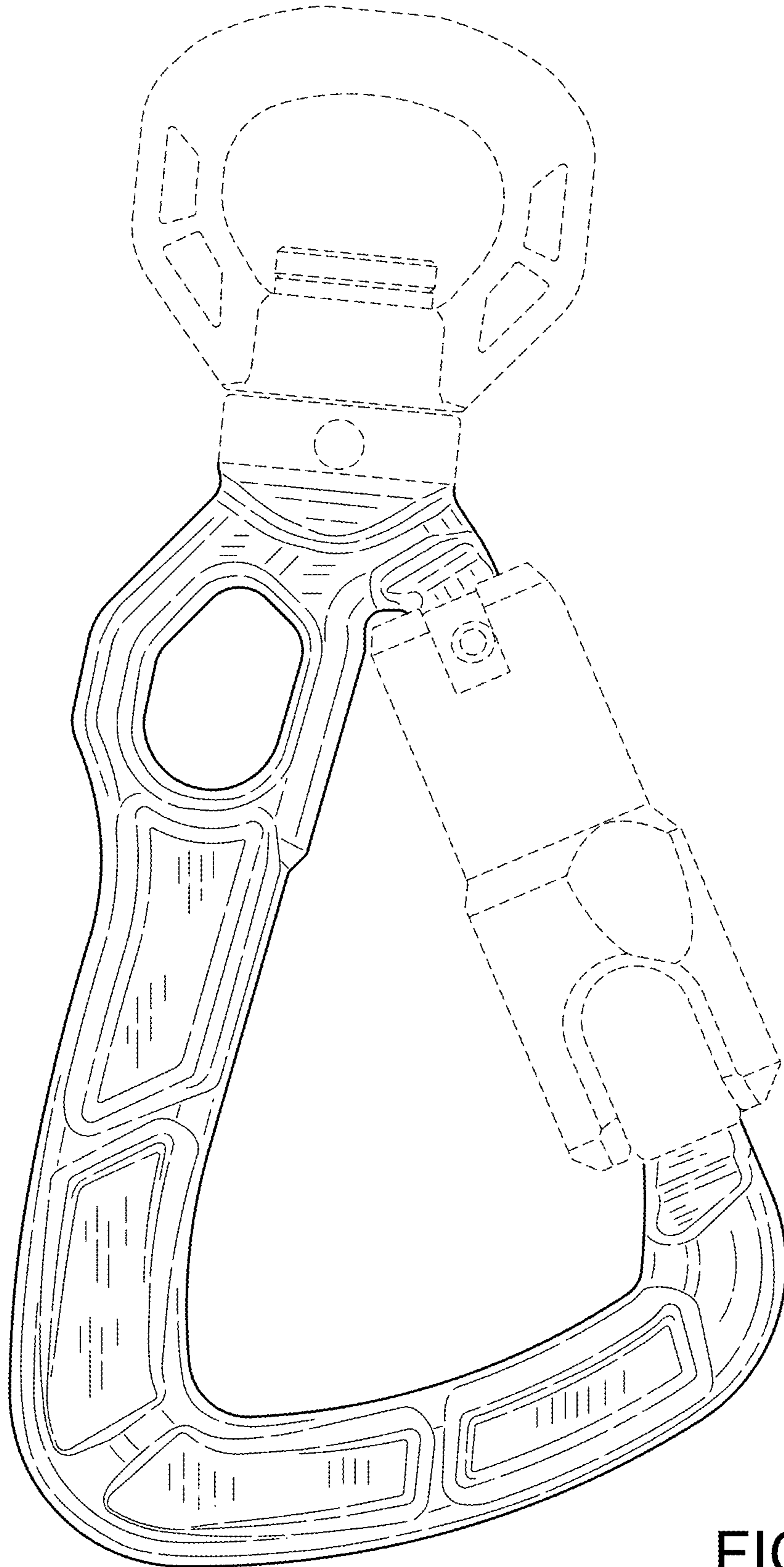


FIG.3

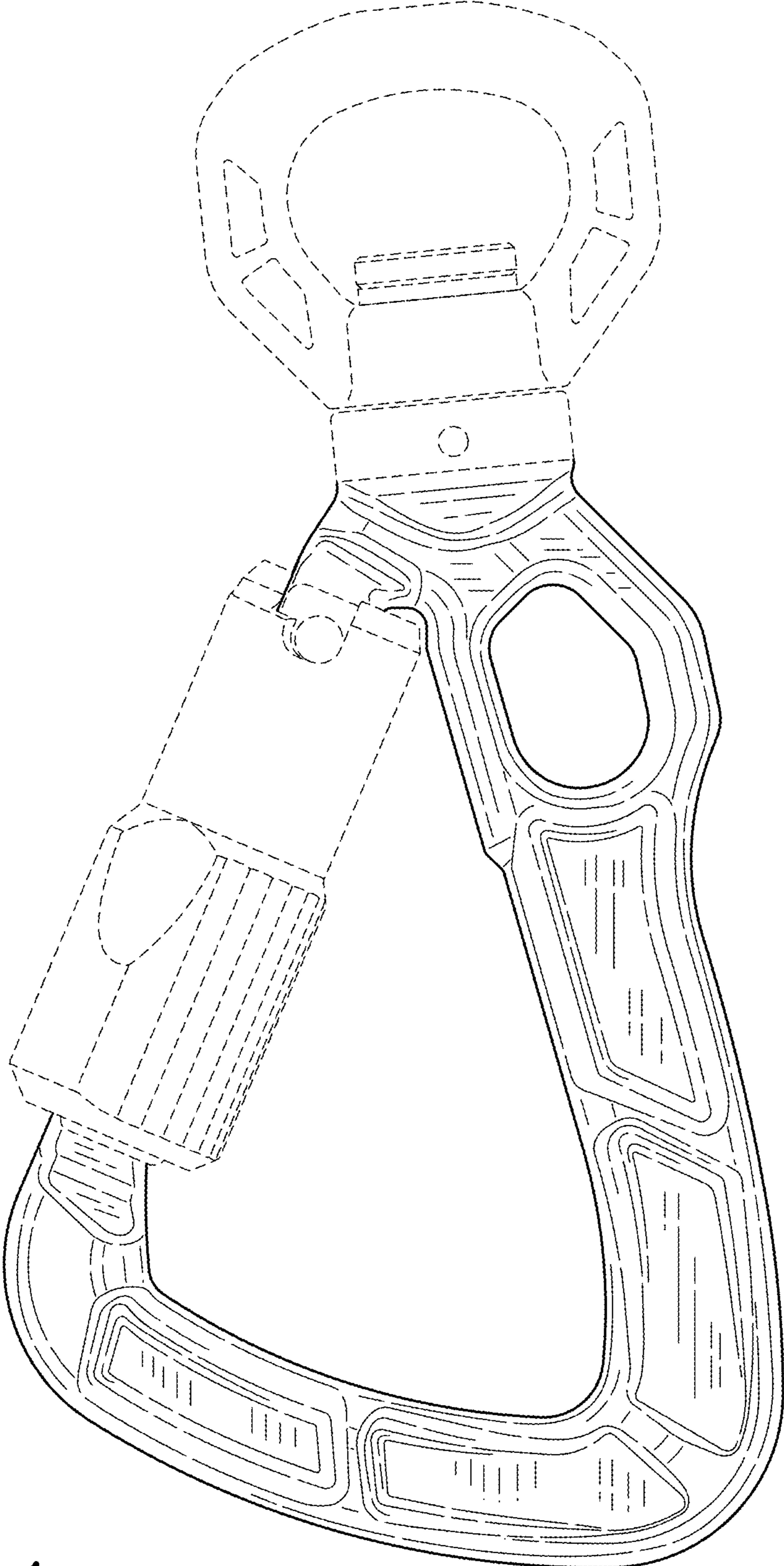


FIG.4

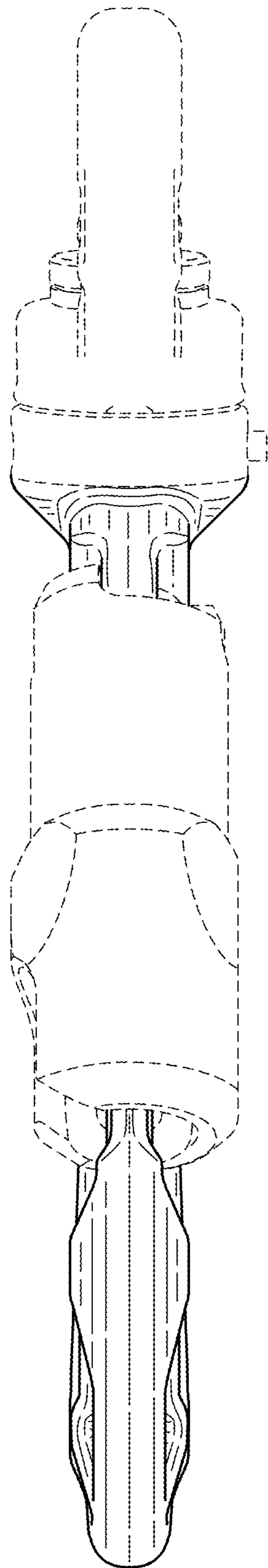


FIG.5

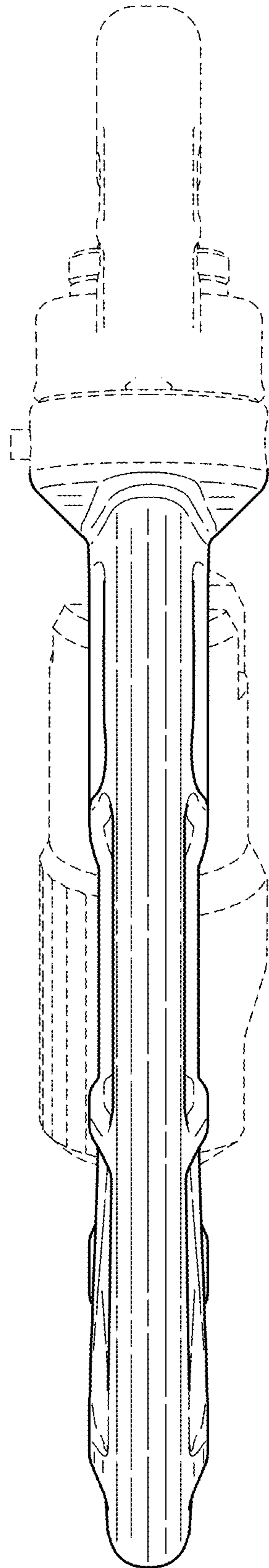


FIG.6

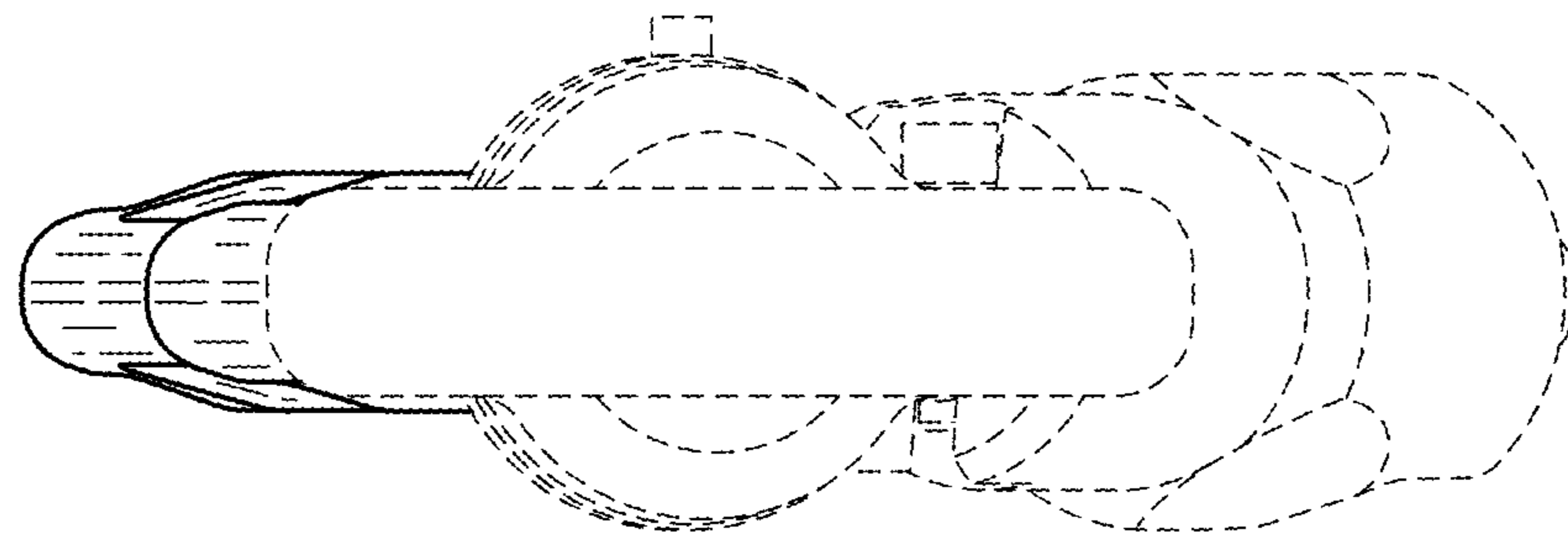


FIG.7

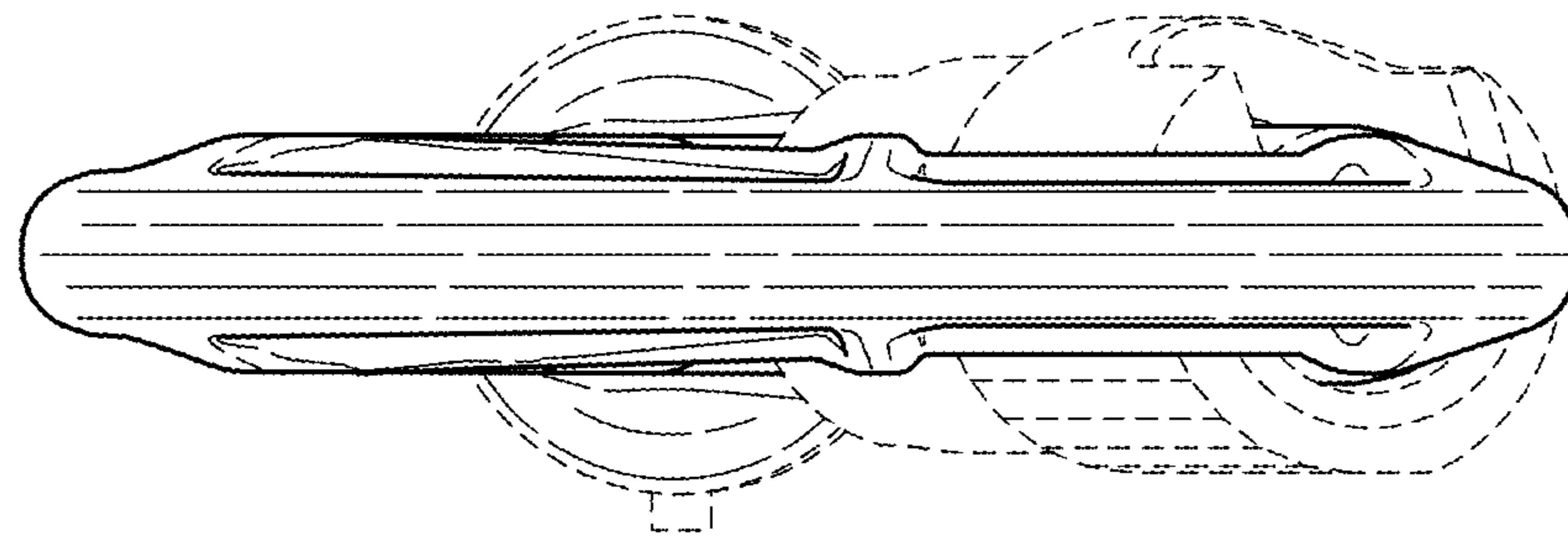


FIG.8