



US00D976682S

(12) **United States Design Patent**
Chen

(10) **Patent No.:** **US D976,682 S**

(45) **Date of Patent:** **** Jan. 31, 2023**

(54) **CORD ORGANIZER FOR KITCHEN APPLIANCES**

(71) Applicant: **Junyuan Chen**, Huazhou (CN)

(72) Inventor: **Junyuan Chen**, Huazhou (CN)

(**) Term: **15 Years**

(21) Appl. No.: **29/792,839**

(22) Filed: **Apr. 26, 2022**

(51) **LOC (14) Cl.** **09-06**

(52) **U.S. Cl.**
USPC **D8/356**

(58) **Field of Classification Search**
USPC D8/356, 354, 349, 396, 394, 382;
D13/155; 248/68.1; D24/128
CPC B65H 57/16; B63B 21/045
See application file for complete search history.

(56) **References Cited**

U.S. PATENT DOCUMENTS

1,371,619	A *	3/1921	Greenstreet	A63H 33/06 446/124
D165,901	S *	2/1952	Bloom et al.	D8/356
4,244,544	A *	1/1981	Kornat	F16L 3/13 248/68.1
5,316,246	A *	5/1994	Scott	F16L 3/223 248/90
D478,630	S *	8/2003	Riggins	D19/83
D488,054	S *	4/2004	Myers	D8/356
D541,642	S *	5/2007	Heindl	D8/382
D545,183	S *	6/2007	French	D8/394
D568,254	S *	5/2008	Patchett	D8/396
D569,234	S *	5/2008	Young, IV	D8/358
D569,712	S *	5/2008	Young, IV	D8/358
D573,448	S *	7/2008	Young, IV	D8/356
D581,255	S *	11/2008	Calvin	D8/356
D592,039	S *	5/2009	Okuda	

7,825,337	B2 *	11/2010	Young, IV	H02G 3/30 174/72 A
D638,690	S *	5/2011	Hoek	D8/356
D638,691	S *	5/2011	Hoek	D8/356
D638,692	S *	5/2011	Hoek	D8/356
D639,145	S *	6/2011	Hoek	D8/356
D639,146	S *	6/2011	Hoek	D8/356
D640,527	S *	6/2011	Hoek	D8/356
D657,869	S *	4/2012	Mammen	D24/128
8,552,294	B2 *	10/2013	Li	H02G 3/26 174/72 A
D724,415	S *	3/2015	Lu	D8/373
8,998,151	B2 *	4/2015	Hoek	H02G 3/32 248/68.1
D743,048	S *	11/2015	Kuran	D24/231
D749,209	S *	2/2016	Uhlenkamp	D24/128
9,618,143	B2 *	4/2017	Noble	H02G 3/30
D790,127	S *	6/2017	Verleur	D6/552
D803,164	S *	11/2017	Noble	D13/155
D865,504	S *	11/2019	Tribbett	B65D 63/16 D8/356

(Continued)

Primary Examiner — Cynthia R Underwood
(74) *Attorney, Agent, or Firm* — Daniel M. Cohn;
Howard M. Cohn

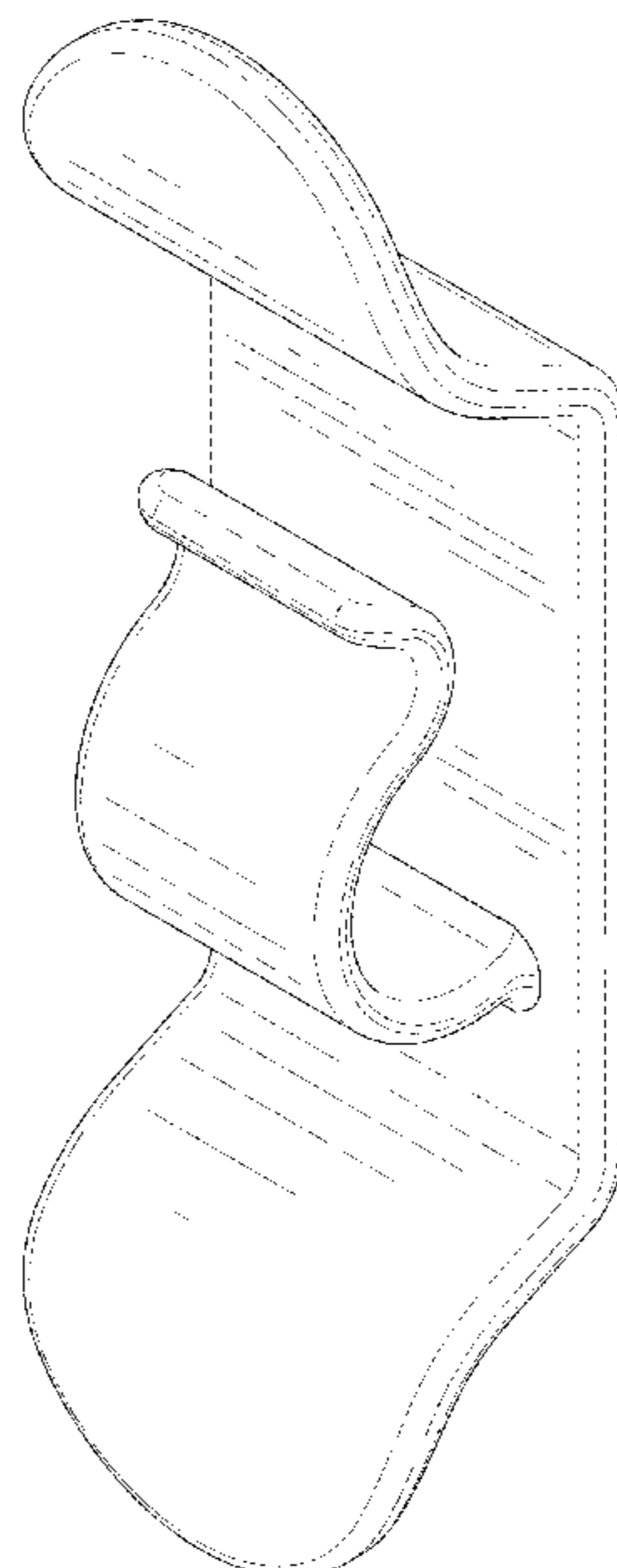
(57) **CLAIM**

The ornamental design for a cord organizer for kitchen appliances, as shown and described.

DESCRIPTION

FIG. 1 is a perspective view of a cord organizer for kitchen appliances showing my new design;
FIG. 2 is another perspective view thereof;
FIG. 3 is a front elevational view thereof;
FIG. 4 is a rear elevational view thereof;
FIG. 5 is a left side elevational view thereof;
FIG. 6 is a right side elevational view thereof;
FIG. 7 is a top plan view thereof; and,
FIG. 8 is a bottom plan view thereof.

1 Claim, 8 Drawing Sheets



(56)

References Cited

U.S. PATENT DOCUMENTS

D885,869	S		6/2020	Moldvaer	
D926,706	S	*	8/2021	Gustaveson, II F16B 1/00 D13/155
D951,067	S	*	5/2022	Cressy D8/356
D953,963	S	*	6/2022	Huang D12/407
D958,919	S	*	7/2022	Wu D21/796
D961,069	S	*	8/2022	O'Dea D24/128
D964,053	S	*	9/2022	Yu D6/323
D964,550	S	*	9/2022	Hall, Jr. D24/110.1
2004/0118982	A1	*	6/2004	Shillings F16L 3/223 248/68.1
2005/0189453	A1	*	9/2005	DeGuevara H02G 3/305 248/68.1
2007/0235597	A1	*	10/2007	Winchester F16L 3/223 248/68.1

* cited by examiner

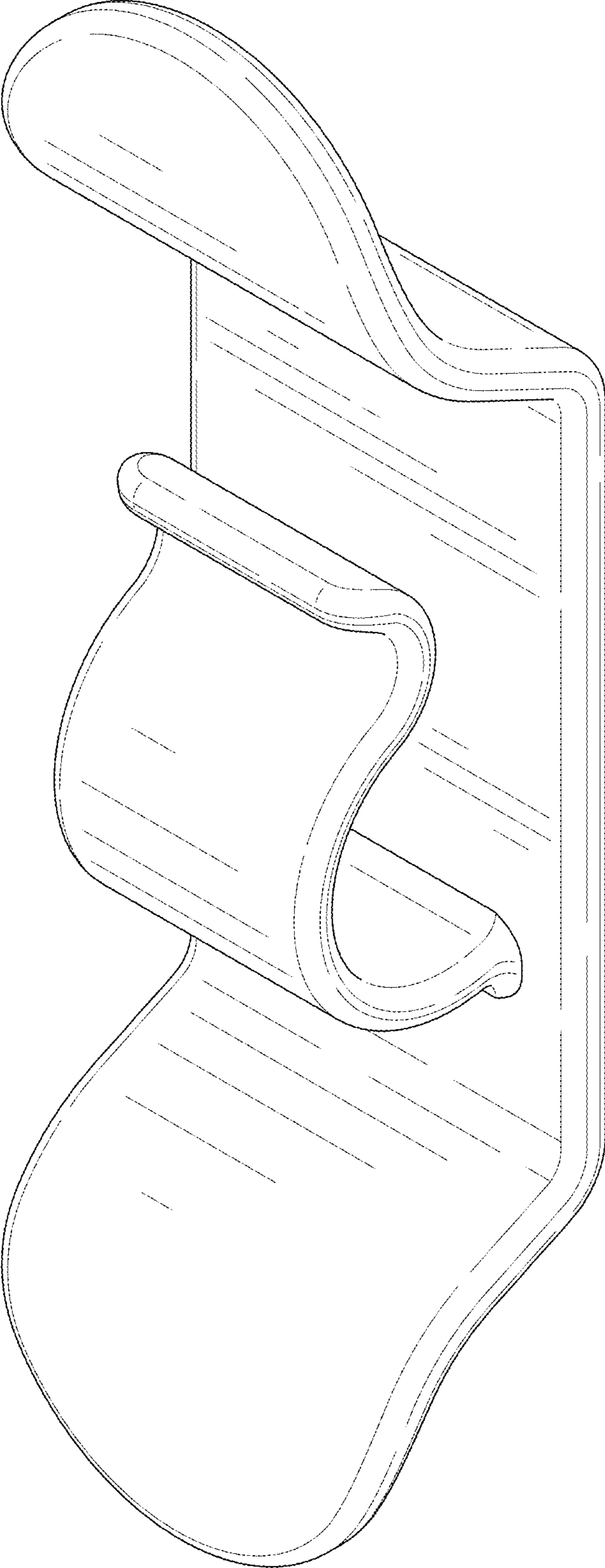


FIG. 1

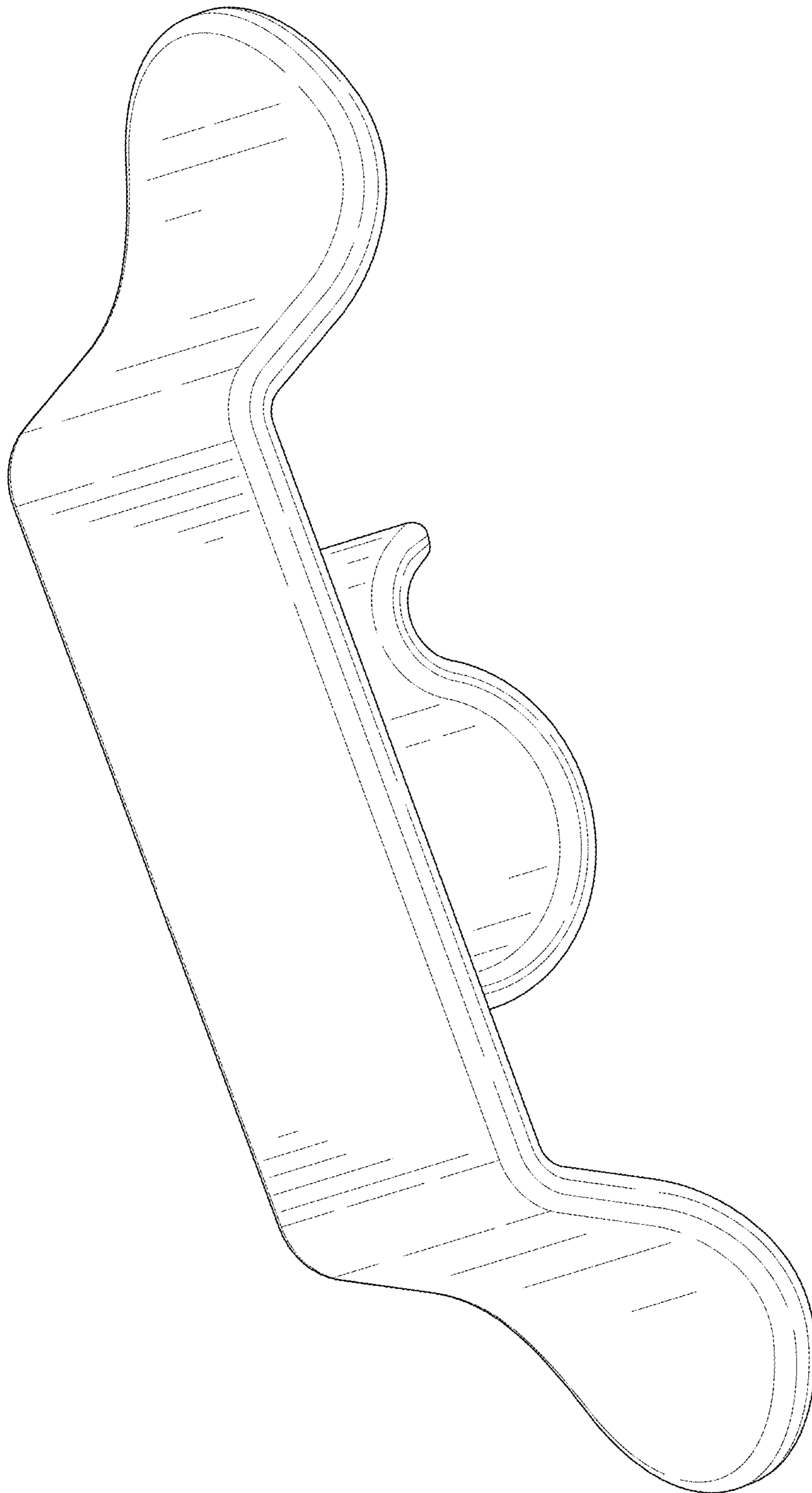


FIG. 2

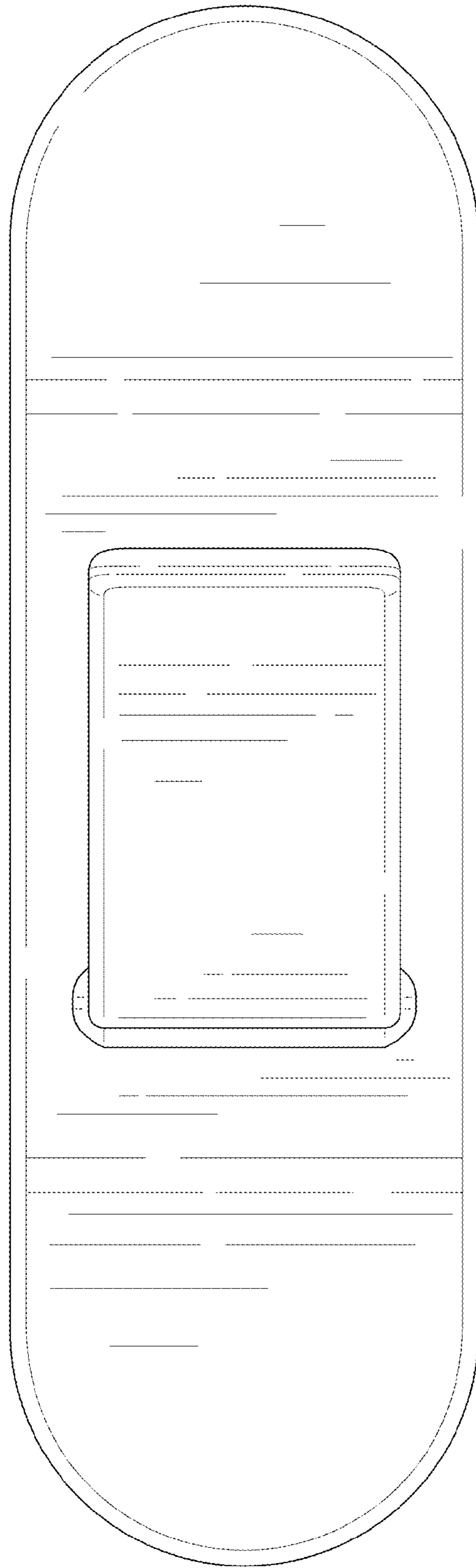


FIG. 3

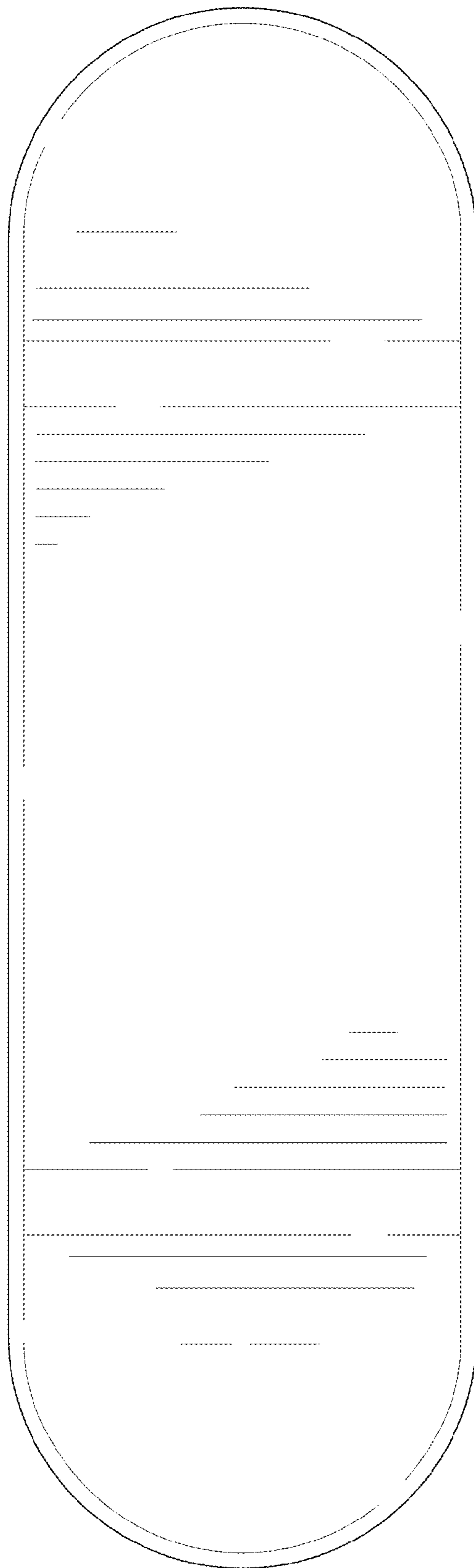


FIG. 4

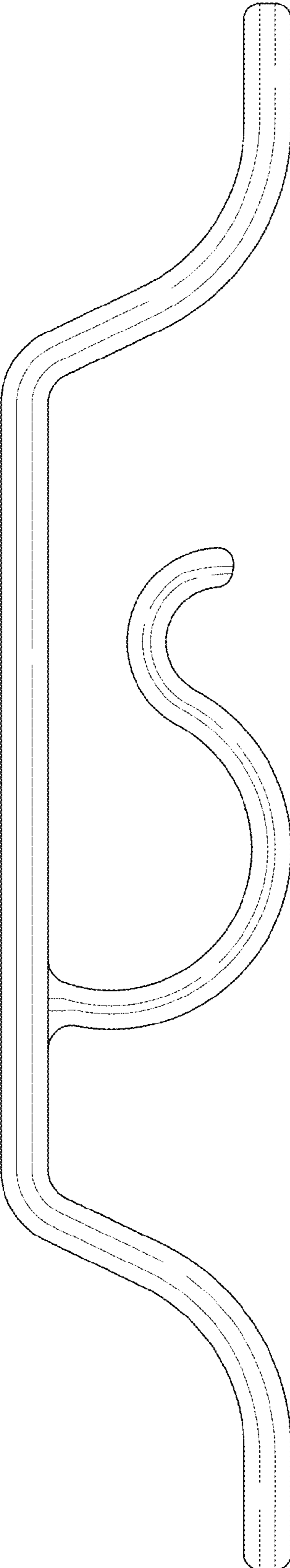


FIG. 5

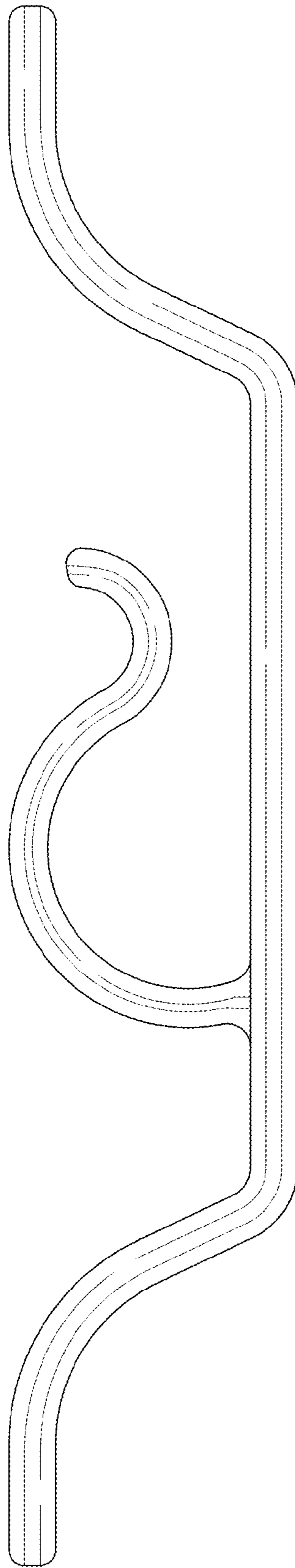


FIG. 6

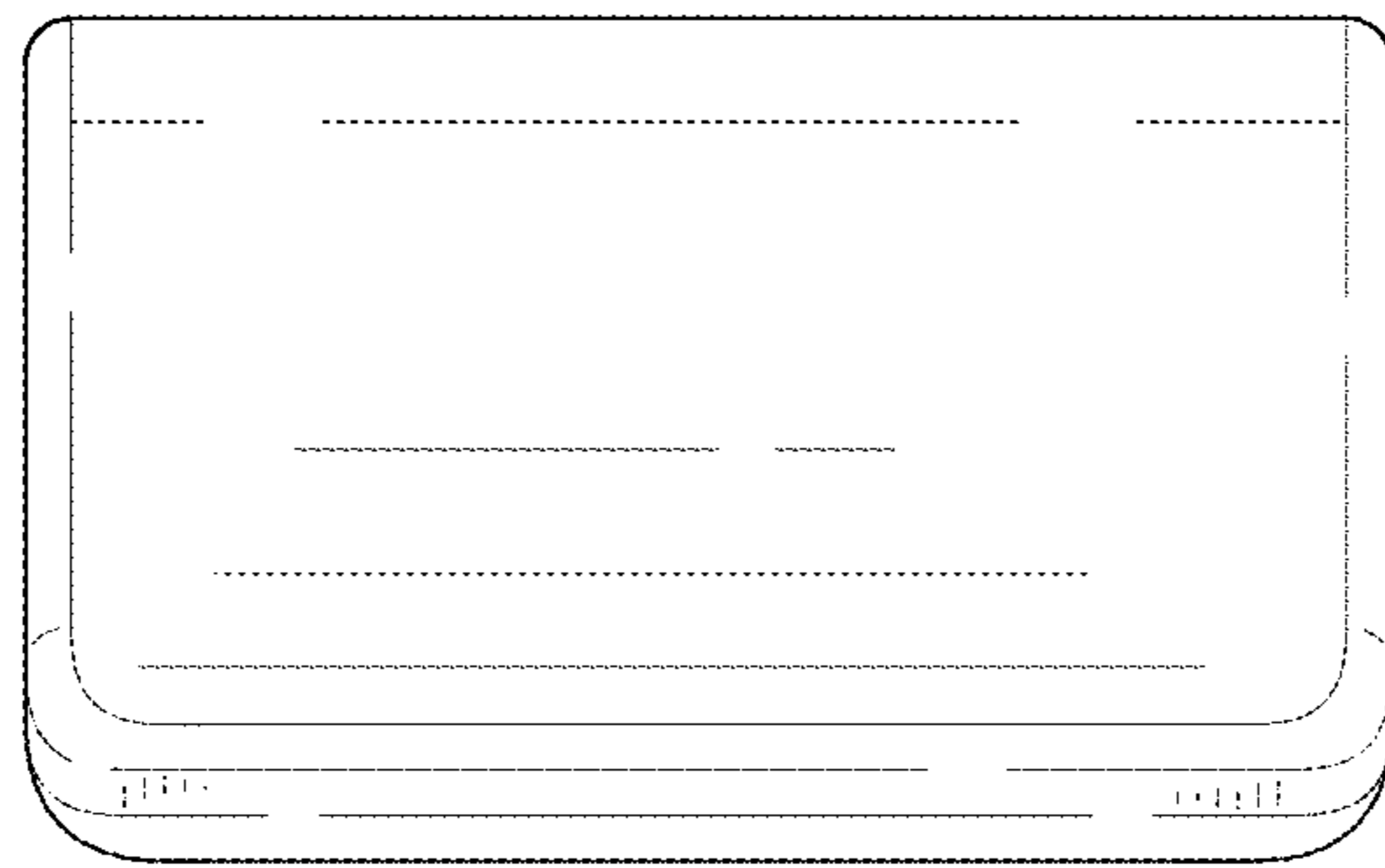


FIG. 7

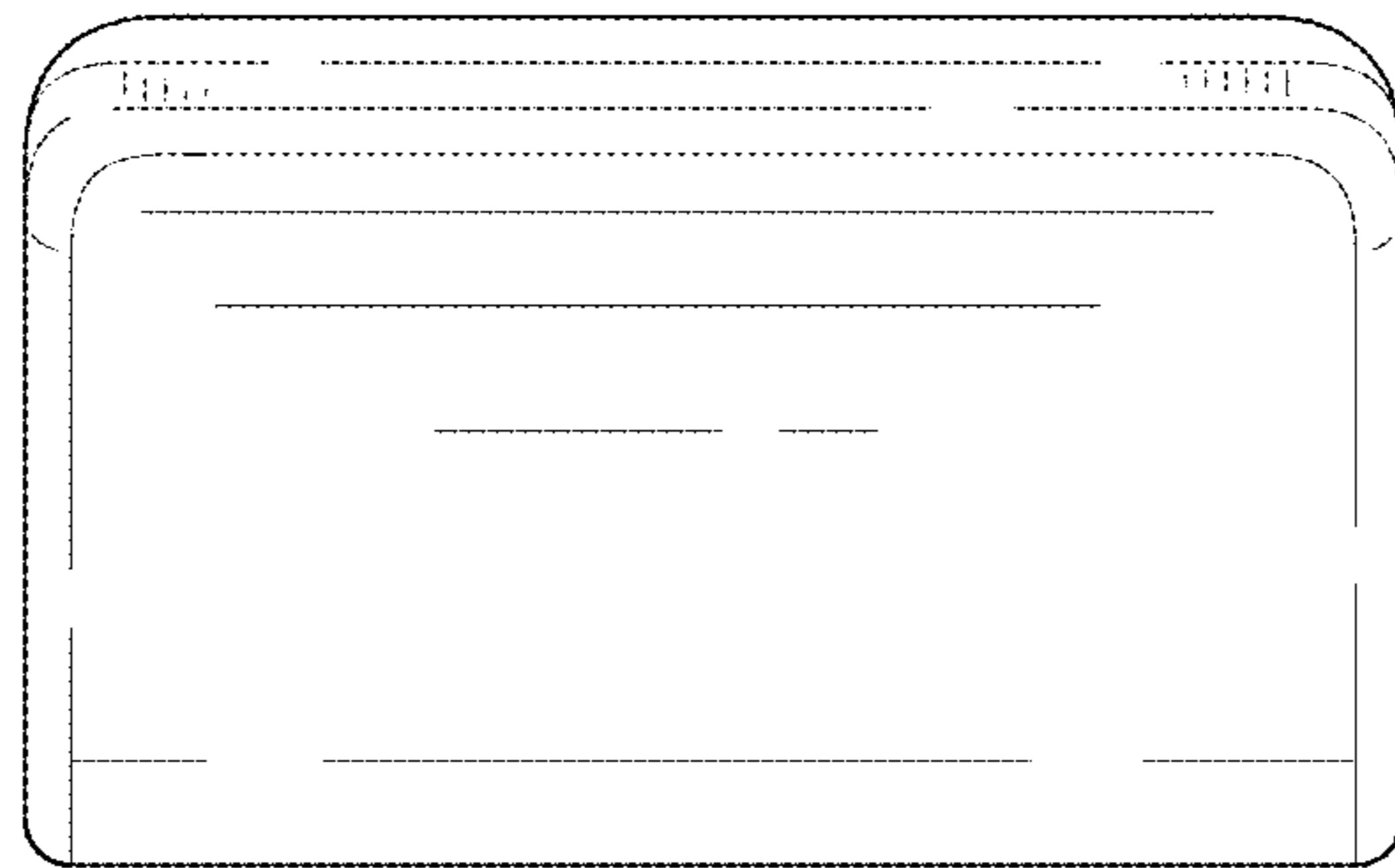


FIG. 8