



US00D976681S

(12) **United States Design Patent**
Herbertsson

(10) **Patent No.:** **US D976,681 S**
(45) **Date of Patent:** **** Jan. 31, 2023**

(54) **BRACKET**
(71) Applicant: **Troax AB**, Hillerstorp (SE)
(72) Inventor: **Ronny Herbertsson**, Hillerstorp (SE)
(73) Assignee: **Troax AB**, Hillerstorp (SE)
(**) Term: **15 Years**

D618,085 S * 6/2010 Lin D8/354
9,272,829 B2 * 3/2016 Wynnick B65D 7/00
D789,565 S * 6/2017 Lopez D25/199
D796,302 S * 9/2017 Bright D8/354
D820,664 S * 6/2018 Allen D8/354
D822,453 S * 7/2018 Kanter D8/354
D855,439 S * 8/2019 Schmonsees D8/349
D855,441 S * 8/2019 Schmonsees D8/349
D860,763 S * 9/2019 Allen D8/354
D867,112 S * 11/2019 Taylor D8/363
D892,597 S * 8/2020 Stoops D8/354

(21) Appl. No.: **29/769,114**

* cited by examiner

(22) Filed: **Feb. 3, 2021**

Primary Examiner — Darlington Ly

Related U.S. Application Data

(74) *Attorney, Agent, or Firm* — Tucker Ellis LLP

(62) Division of application No. 35/508,259, filed on Nov. 1, 2019 (U.S. filing date under 35 U.S.C. 384), and having an international filing date of Nov. 1, 2019, now Pat. No. Des. 912,497.

(57) **CLAIM**

(51) **LOC (14) Cl.** **08-05**

The ornamental design for a bracket, as shown and described.

(52) **U.S. Cl.**

USPC **D8/354**

(58) **Field of Classification Search**

USPC D8/330, 331, 333, 349, 354, 355, 380, D8/381, 366; D6/672, 680, 683.1, 684, D6/703.5

DESCRIPTION

CPC F16B 5/00; F16B 5/02; F16B 12/50
See application file for complete search history.

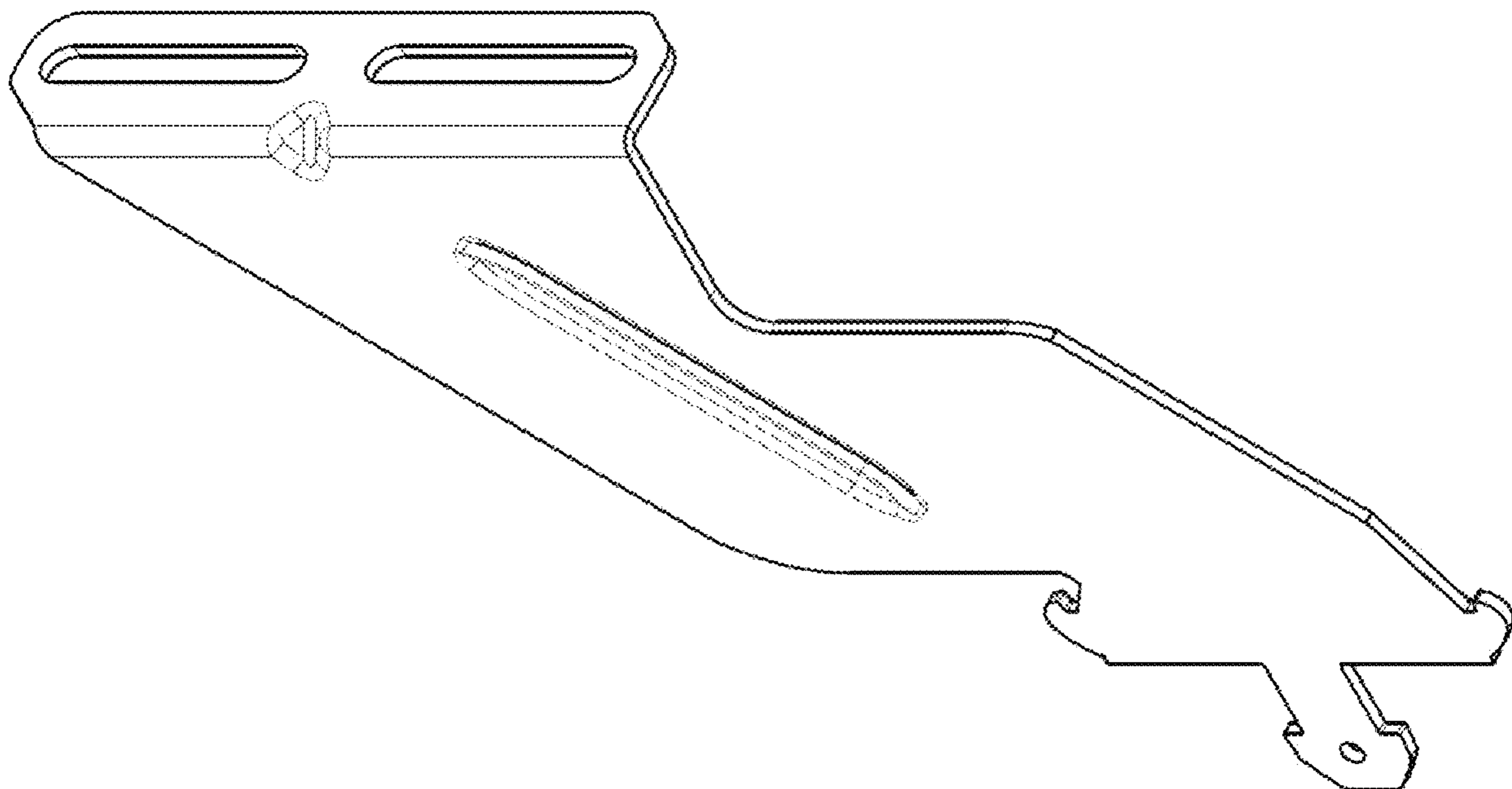
FIG. 1 is a top perspective view of a bracket embodying my new design;
FIG. 2 is a bottom perspective view thereof;
FIG. 3 is a bottom and front perspective view thereof;
FIG. 4 is a front elevation view thereof;
FIG. 5 is a top plan view thereof;
FIG. 6 is a rear elevation view thereof; and,
FIG. 7 is a side elevation view thereof.

(56) **References Cited**

U.S. PATENT DOCUMENTS

D260,758 S * 9/1981 Borugian D8/371
D574,222 S * 8/2008 Golias, Jr. D8/349

1 Claim, 3 Drawing Sheets



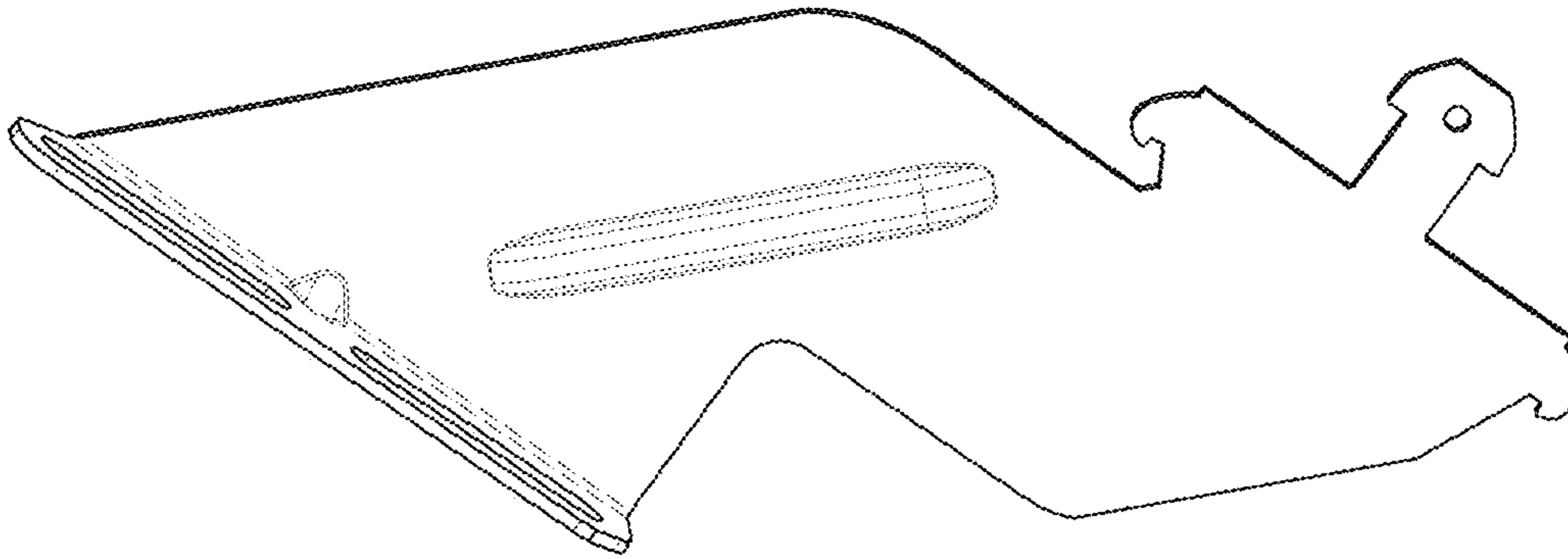


FIG. 1

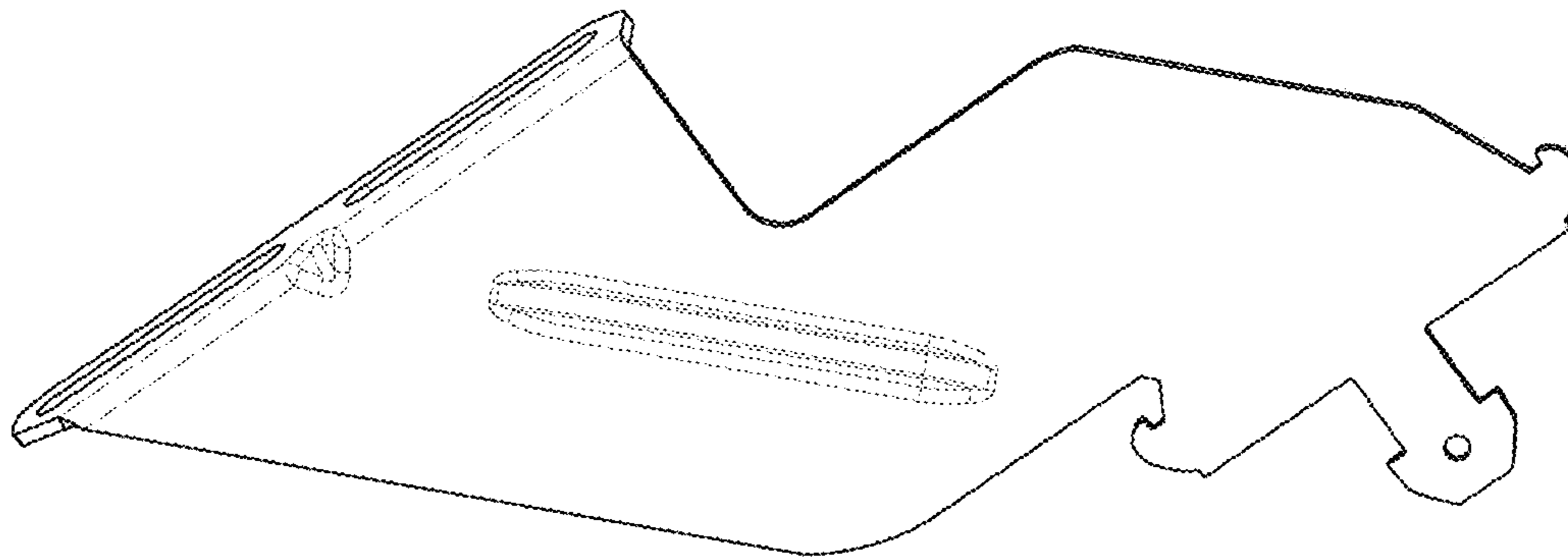


FIG. 2

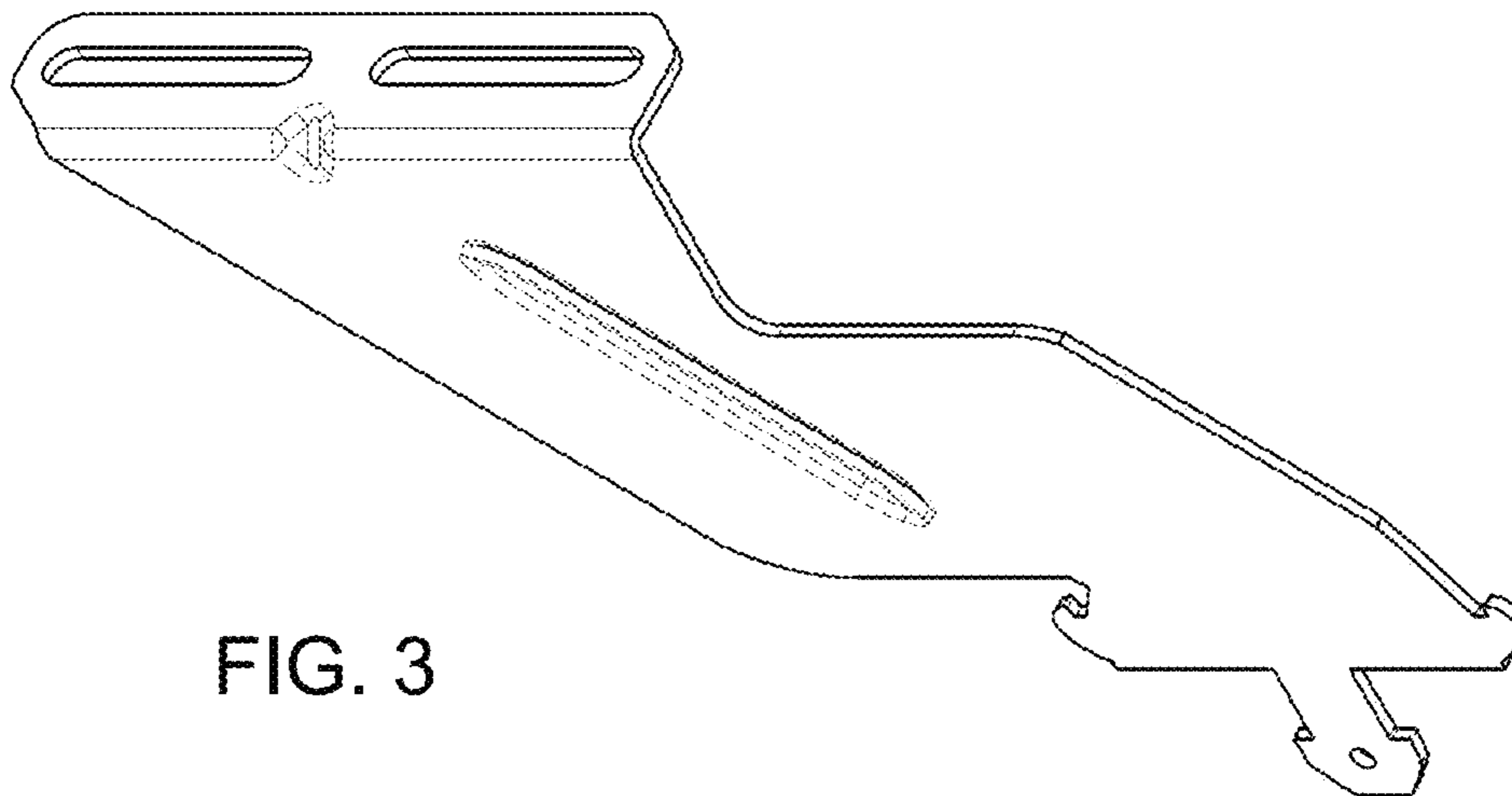


FIG. 3

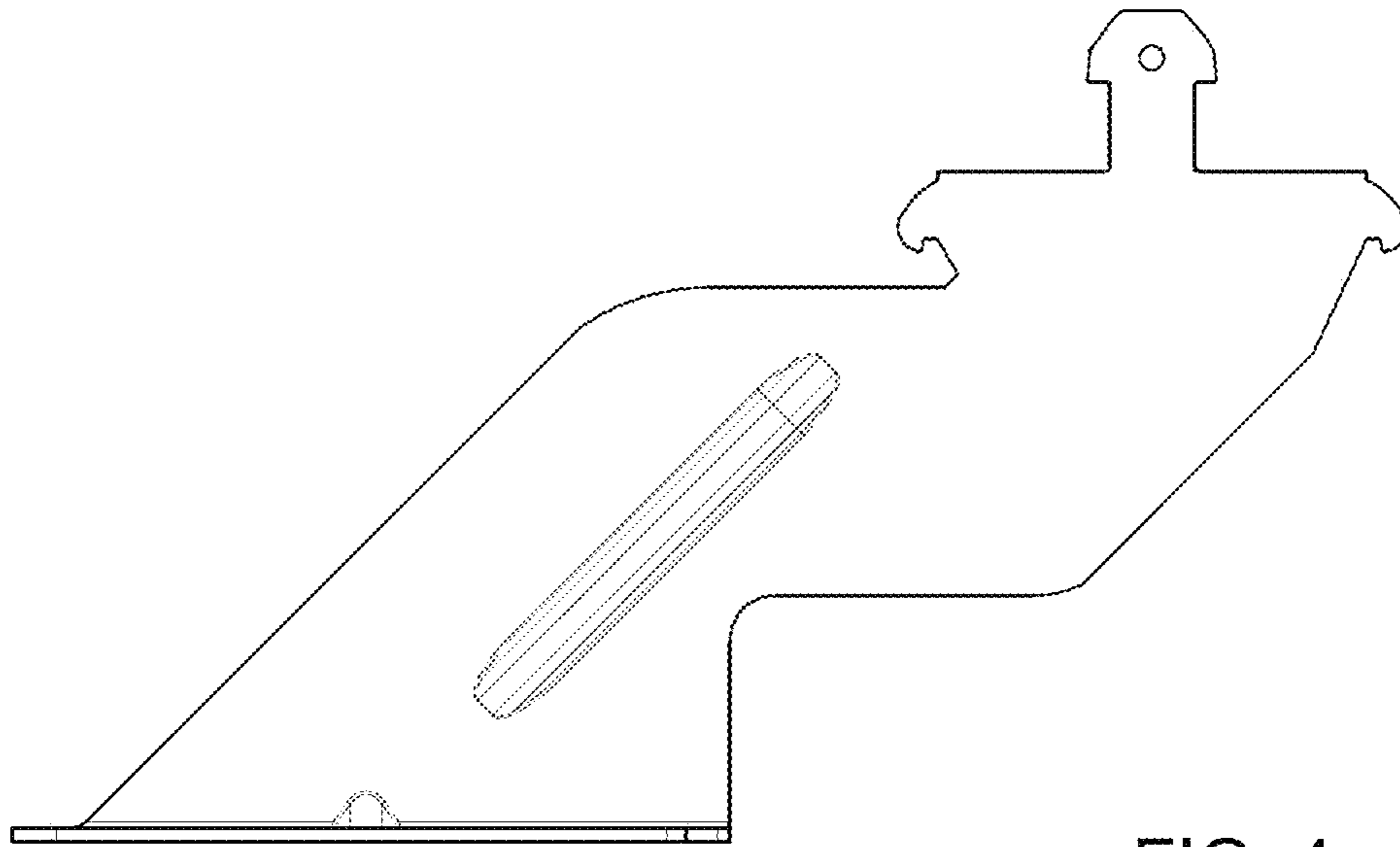


FIG. 4

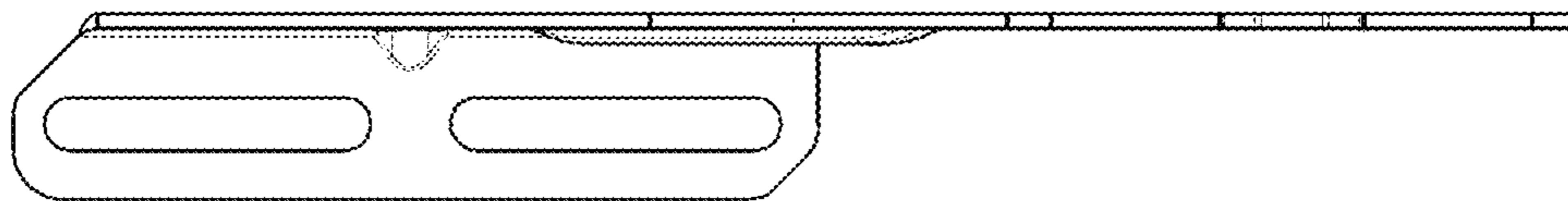


FIG. 5

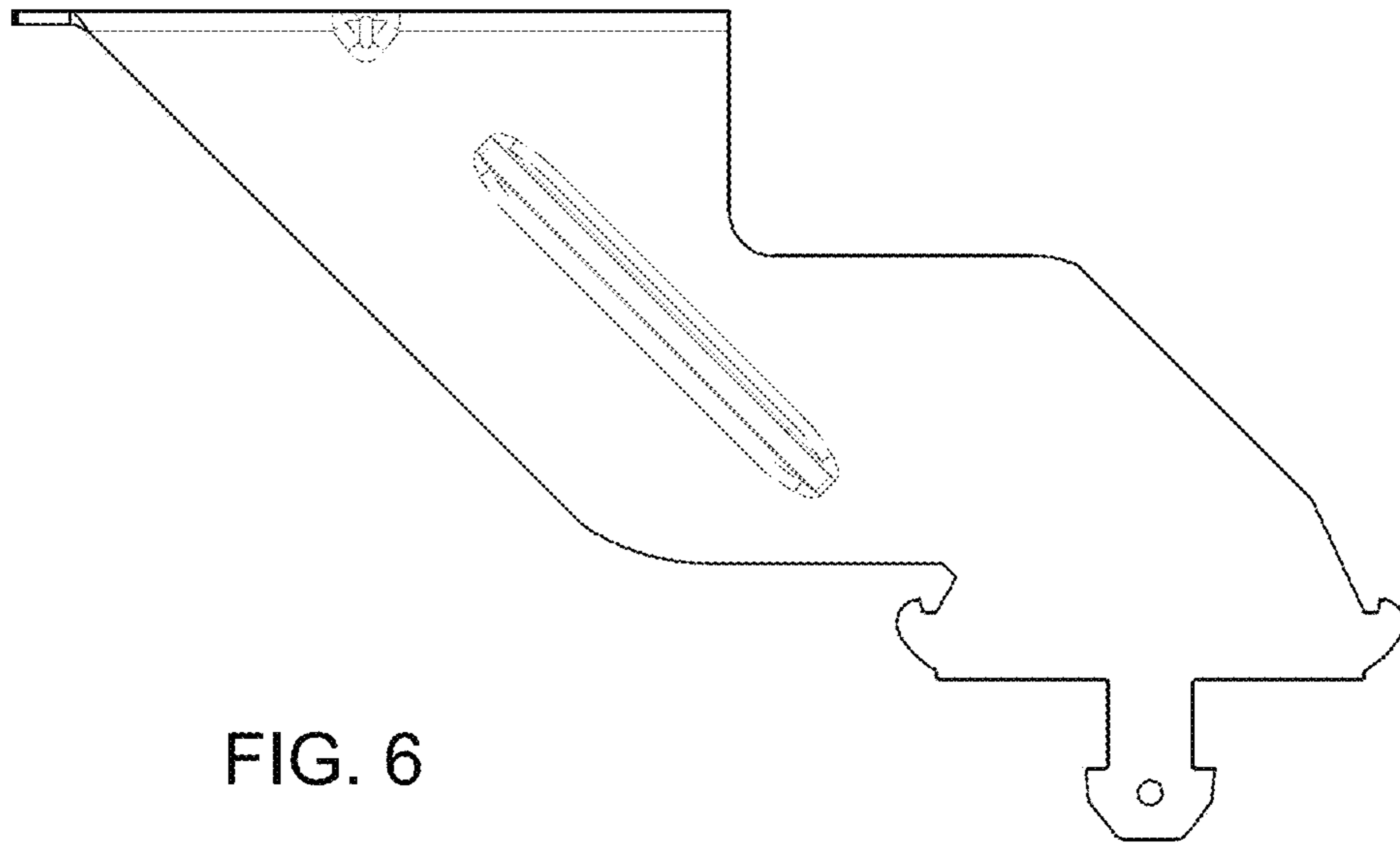


FIG. 6

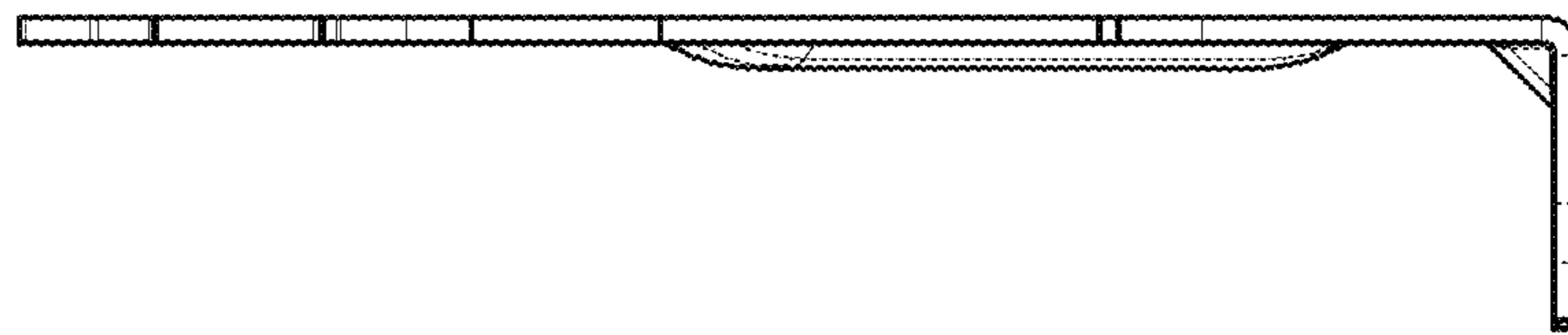


FIG. 7