



US00D976680S

(12) **United States Design Patent**
Zabelka

(10) **Patent No.: US D976,680 S**

(45) **Date of Patent: ** Jan. 31, 2023**

(54) **STUMP GRINDER ELASTOMERIC SPRING**

(71) Applicant: **MINER ELASTOMER PRODUCTS CORPORATION**, Geneva, IL (US)

(72) Inventor: **Scott E. Zabelka**, Plainfield, IL (US)

(73) Assignee: **Miner Elastomer Products Corp.**, Geneva, IL (US)

(**) Term: **15 Years**

(21) Appl. No.: **29/762,483**

(22) Filed: **Dec. 16, 2020**

(51) **LOC (14) Cl. 08-05**

(52) **U.S. Cl.**
USPC **D8/354**; D15/133; D15/145; D15/5

(58) **Field of Classification Search**
USPC D15/133, 143, 5; D8/354
CPC B60G 11/22; B60G 11/42; B60G 2204/41;
B60G 2204/125; B60G 2202/14; B60G
2202/143; F16F 1/36; F16F 1/3732; F16F
9/00; F16F 9/003; F16F 9/006; F16F
2238/00; F16F 2238/02; F16F 2224/025;
F16F 13/14
See application file for complete search history.

(56) **References Cited**

U.S. PATENT DOCUMENTS

D207,708 S * 5/1967 Michals D6/351
D341,145 S * 11/1993 Esworthy D15/143
D357,030 S * 4/1995 McKenna D15/143
5,868,384 A * 2/1999 Anderson F16F 3/087
267/141.1
D638,451 S * 5/2011 Wong D15/138
D802,033 S * 11/2017 Waterman D15/143

D861,756 S * 10/2019 Pop D15/143
2011/0109028 A1 * 5/2011 Zabelka F16F 1/3615
267/153
2012/0172163 A1 * 7/2012 Fitz F16H 55/36
474/94
2017/0105365 A1 4/2017 Holly et al.
2017/0142915 A1 5/2017 Green et al.

OTHER PUBLICATIONS

Progressive Suspension Bushing Kit, available in Amazon.com, date first available Aug. 30, 2010 [online], [Aug. 9, 2022], Available from the internet URL: <https://www.amazon.com/Progressive-Suspension-Bushing-Kit-30-5010/dp/B0041CBLUE> (Year: 2010).
Front Track Arm Bushings, available in energysuspensionparts.com, customer review oldest date Oct. 29, 2020 [online], [Aug. 9, 2022], Available from the internet URL: <https://www.energysuspensionparts.com/4.7128> (Year: 2020).*

* cited by examiner

Primary Examiner — Calvin E Vansant
Assistant Examiner — Eidiol Ghigliotty Torres
(74) *Attorney, Agent, or Firm* — Law Office of John W. Harbst

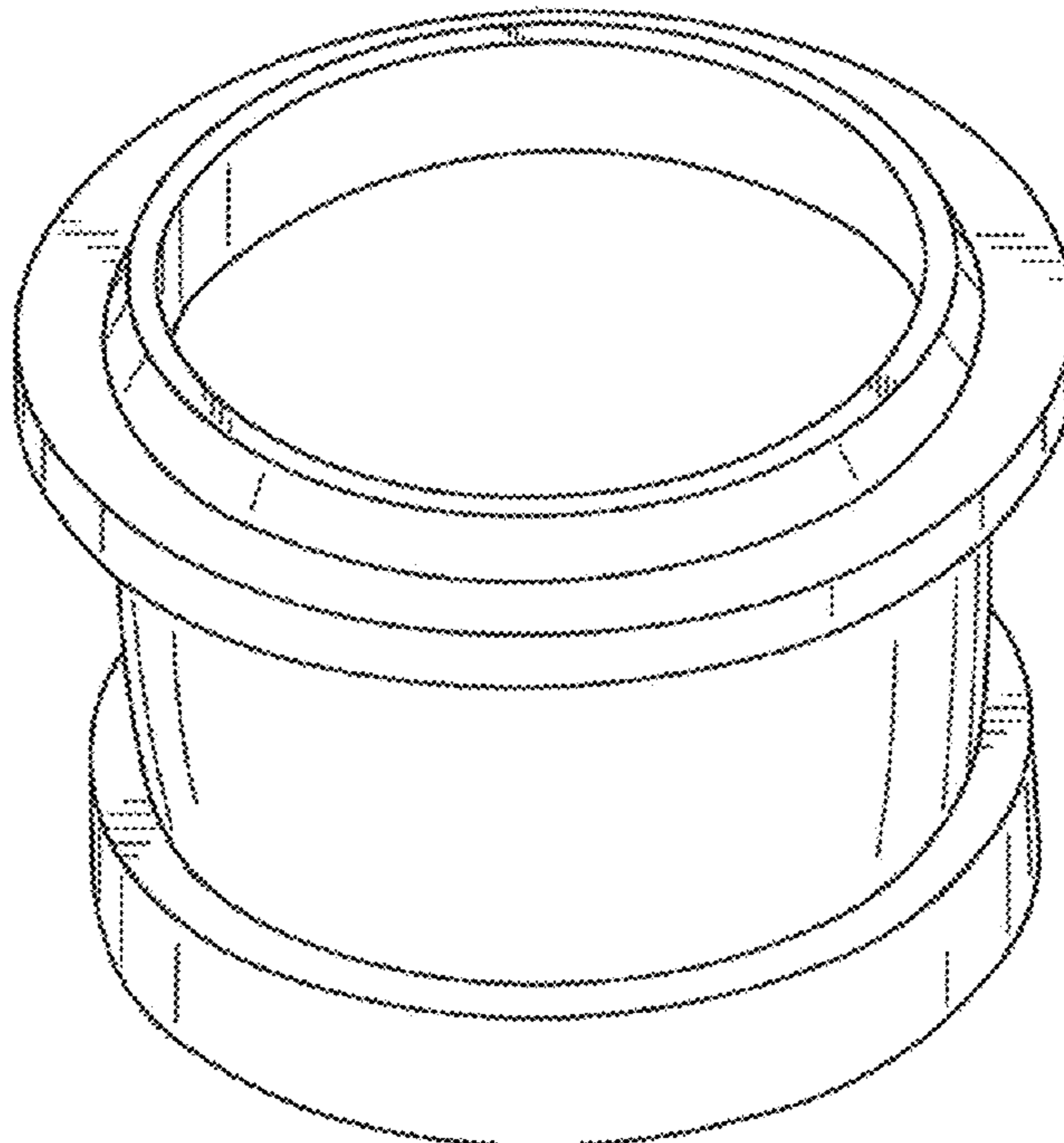
(57) **CLAIM**

The ornamental design for a stump grinder elastomeric spring, as shown and described.

DESCRIPTION

FIG. 1 is a top side perspective view of one form of a stump grinder elastomeric spring showing my new design;
FIG. 2 is a front elevational view thereof;
FIG. 3 is the top plan view thereof;
FIG. 4 is a sectional view taken along line 4-4 of FIG. 3; and,
FIG. 5 is a bottom plan view thereof.

1 Claim, 3 Drawing Sheets



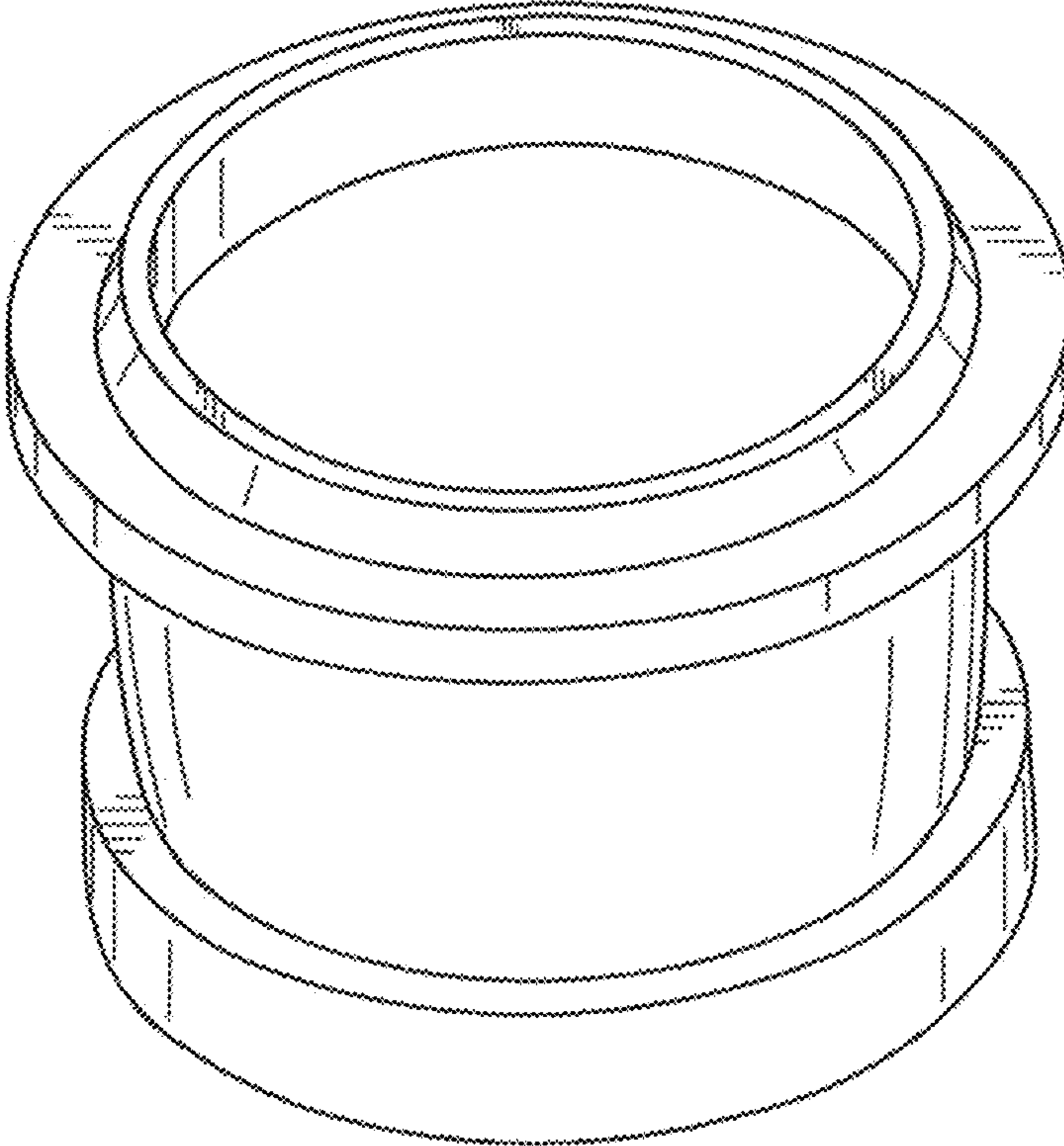


FIG. 1

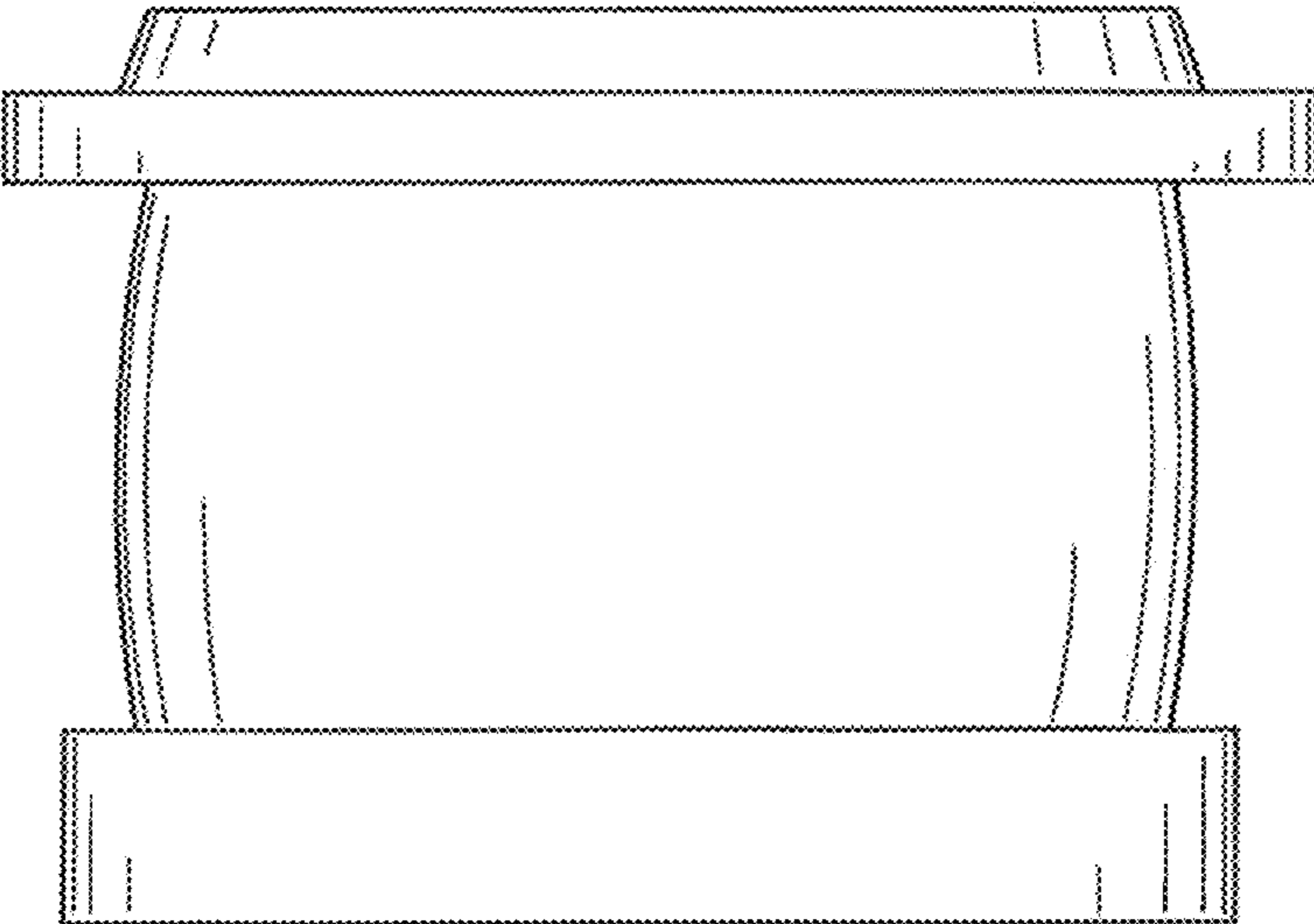


FIG. 2

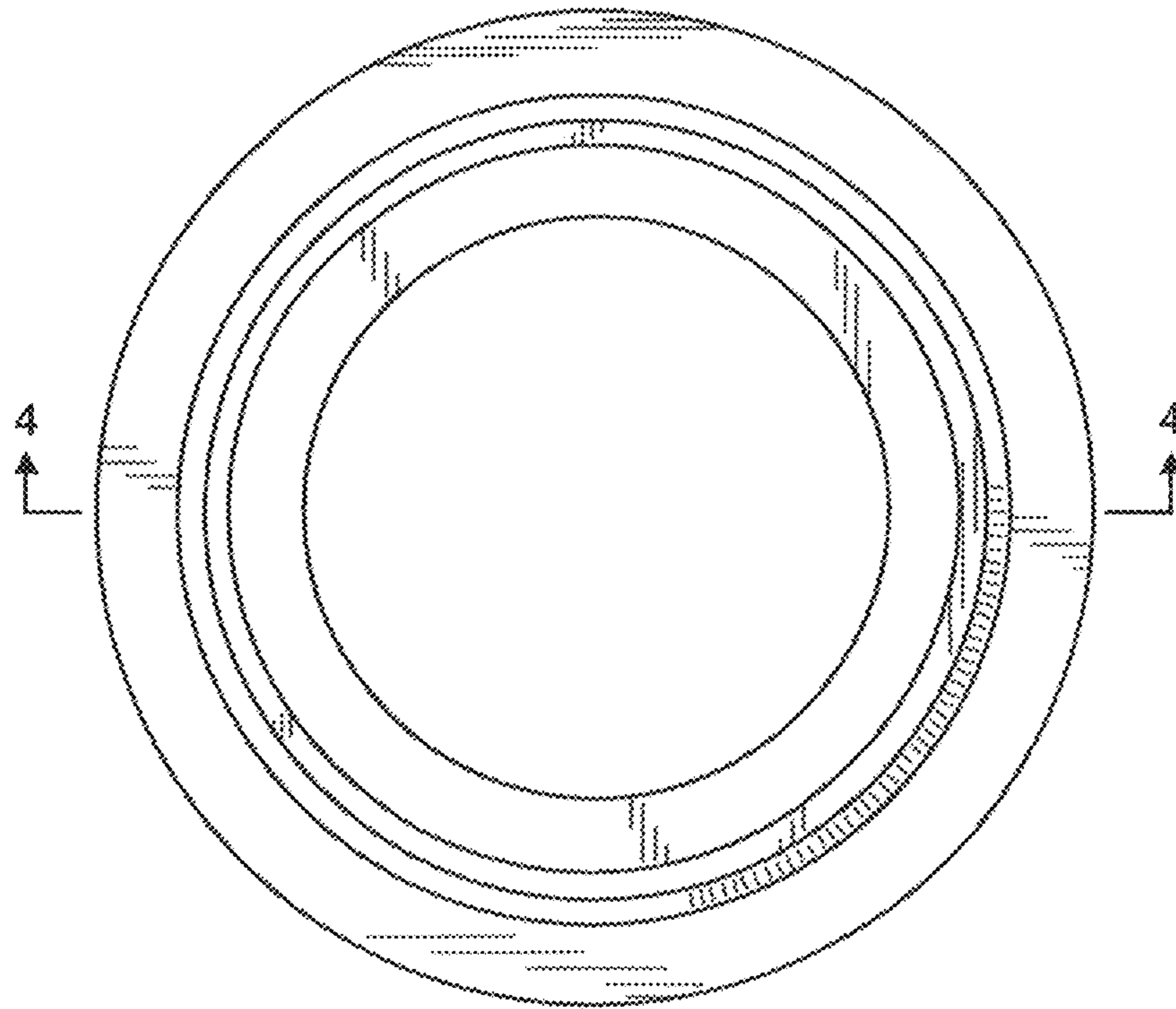


FIG. 3

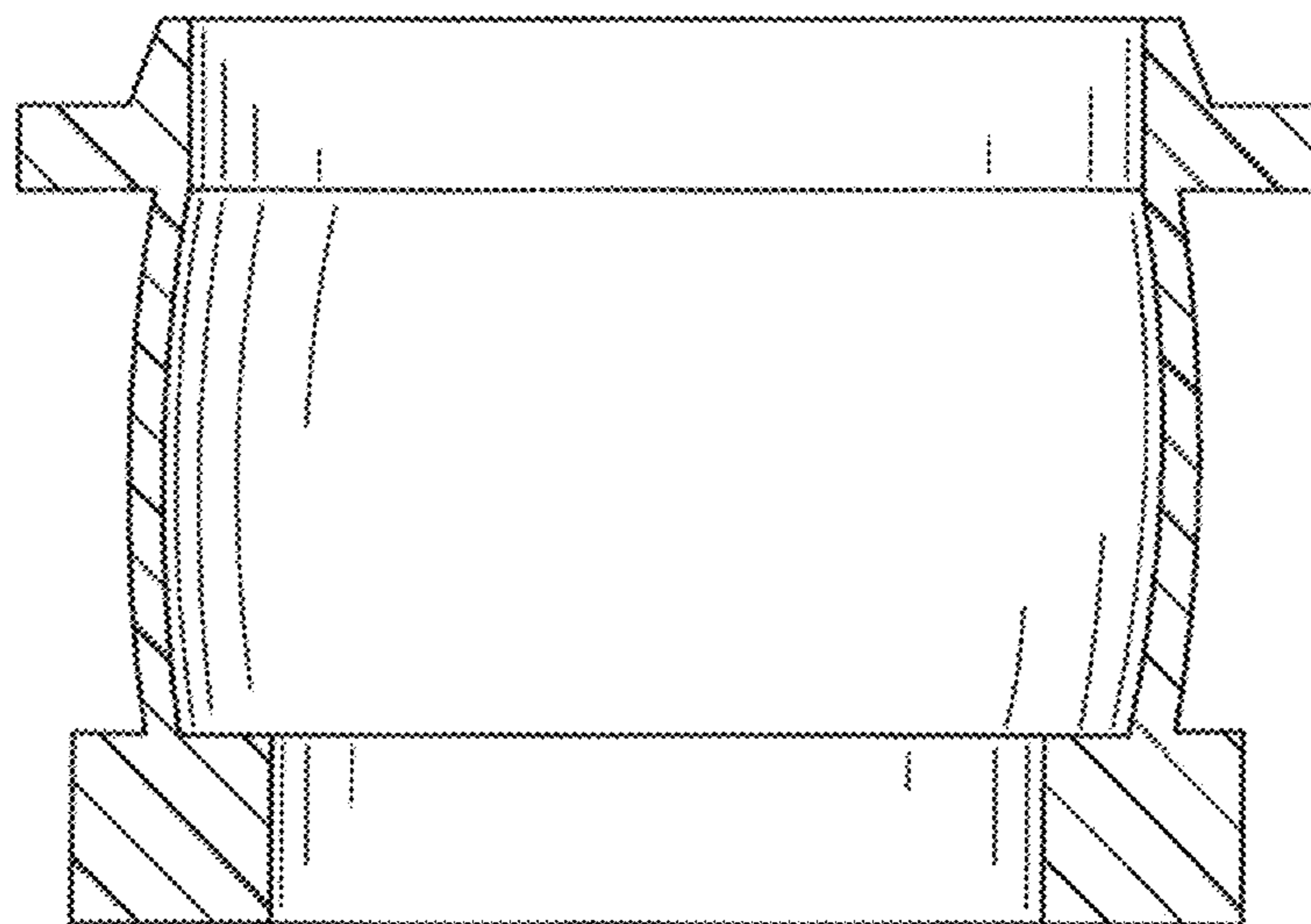


FIG. 4

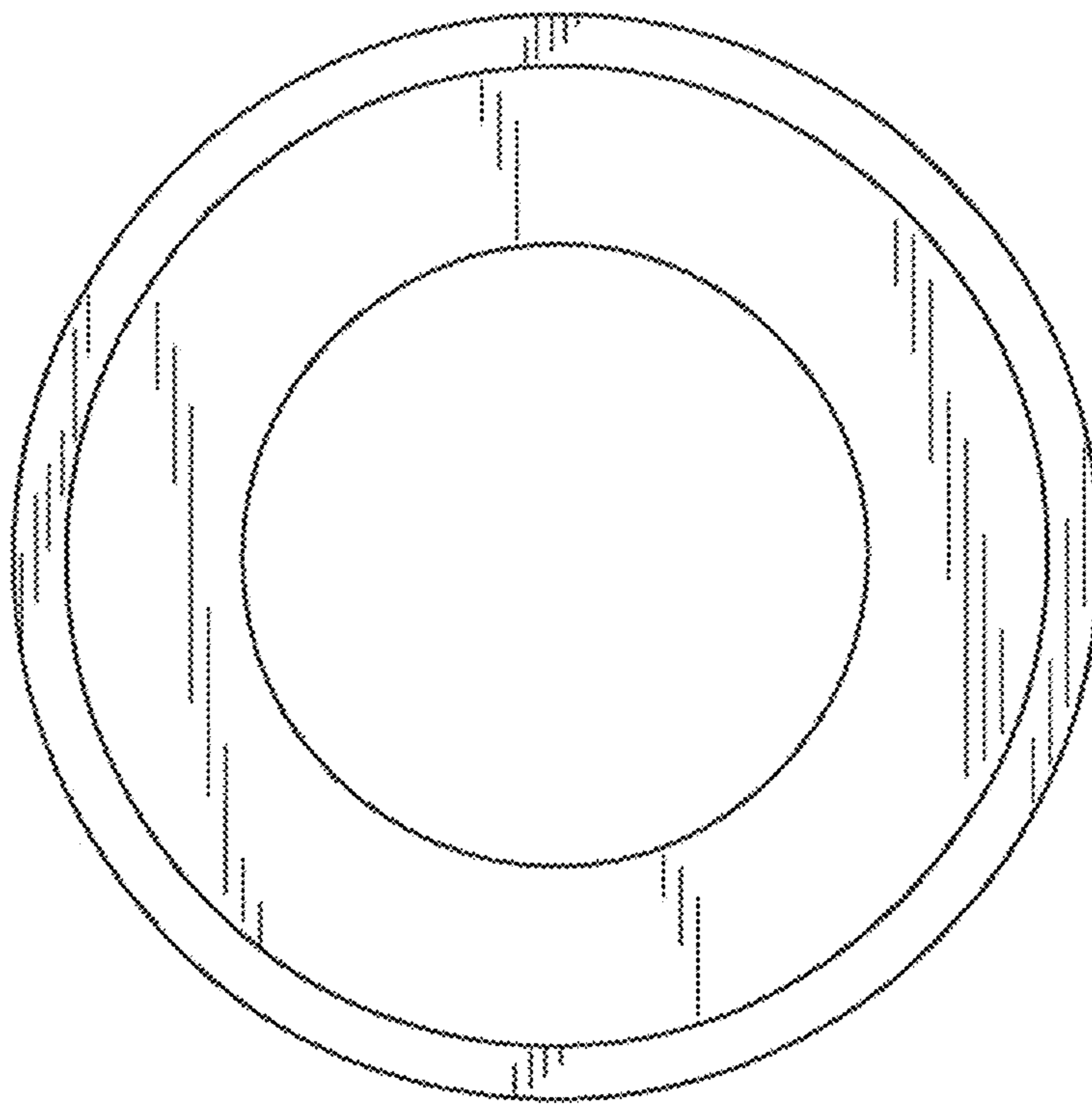


FIG. 5