



US00D976679S

(12) **United States Design Patent** (10) **Patent No.:** **US D976,679 S**  
**Bright et al.** (45) **Date of Patent:** **\*\* Jan. 31, 2023**

(54) **BRACKET**

(71) Applicant: **A&M Hardware Inc**, Mount Joy, PA (US)

(72) Inventors: **Mike Bright**, Lititz, PA (US); **Jared Ingold**, Manheim, PA (US); **Randy Smith**, Abbottstown, PA (US); **Bill Ford**, Washington Boro, PA (US)

(\*\*) Term: **15 Years**

(21) Appl. No.: **29/755,428**

(22) Filed: **Oct. 20, 2020**

(51) **LOC (14) Cl.** ..... **08-05**

(52) **U.S. Cl.**  
USPC ..... **D8/354**

(58) **Field of Classification Search**  
USPC ..... D8/373, 380-382, 353-355, 363-366, D8/327, 349; D25/119, 133, 259, 262, D25/267; D12/400, 406, 223, 414  
CPC ... E04C 5/18; E04C 5/168; E04C 5/20; E04C 2/044; E04C 2/288; E04C 2/384; E04C 2002/047; E04C 2003/026; E04C 5/02; E04C 5/03; E04C 5/16; E04C 5/163; E04C 5/201; E04C 5/203; B60R 11/02; B60R 2011/0005; B60R 2011/0071; B60R 11/00; B60R 11/04; B60R 2011/004; B60R 9/04; B60R 9/045; B60R 9/06; F16B 43/005; F16B 43/007; F16B 11/006; F16B 15/00; F16B 2/005; F16B 2/10; F16B 2/185; F16B 21/186; F16B 2200/20; F16B 2200/503; F16B 25/0015; F16B 25/0031; F16B 25/0047; F16B 3/04; F16B 35/048; F16B 43/02; F16B 47/00; F16B 5/0068; F16B 5/0607; F16B 5/0614; F16B 5/0621; F16B 7/0486; F16B 7/0493; H02G 3/126; H02G 1/02; H02G 3/0443; H02G 3/20; H02G 3/32; H02G 7/12; F16M 13/02; B60G 2204/4402

See application file for complete search history.

(56) **References Cited**

U.S. PATENT DOCUMENTS

D297,411 S \* 8/1988 Angel ..... D8/380  
D737,121 S \* 8/2015 Long ..... D8/354  
D737,663 S \* 9/2015 Kandakur ..... D15/5  
D737,664 S \* 9/2015 Kobayashi ..... D8/354

(Continued)

OTHER PUBLICATIONS

Ekena Millwork BKTM02X12X05EBCRS 2-Inch Wx12-Inch Dx5 L, Date Visited: Mar. 9, 2022, Architectural Depot, Date Available: Oct. 25, 2019, <https://www.architecturaldepot.com/BKTM02X12X05EBCRS.html> (Year: 2019).\*

(Continued)

*Primary Examiner* — Karen S Acker

*Assistant Examiner* — Elizabeth S Ko

(74) *Attorney, Agent, or Firm* — Steve O'Donnell

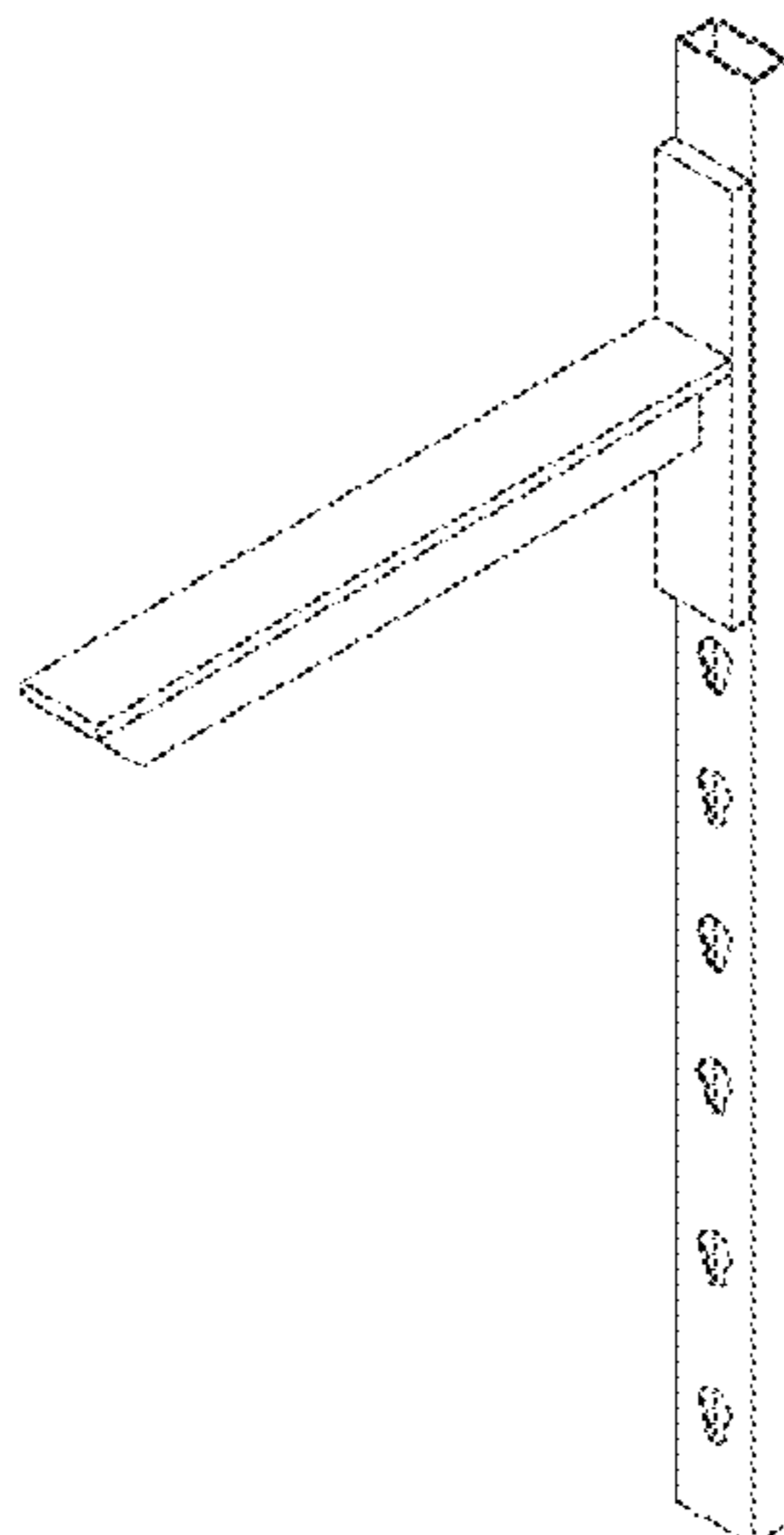
(57) **CLAIM**

We claim the ornamental design for a bracket, as shown and described.

**DESCRIPTION**

FIG. 1 is a top, right, and front perspective view of a bracket from the front showing our design;  
FIG. 2 is a top, left, and front perspective view thereof;  
FIG. 3 is a bottom, left, and front perspective view thereof;  
FIG. 4 a bottom, right, and front perspective view thereof;  
FIG. 5 is a front elevation view thereof;  
FIG. 6 is a back elevation view thereof;  
FIG. 7 is a right side elevation view thereof;  
FIG. 8 is a left side elevation view thereof;  
FIG. 9 is a top elevation view thereof; and,  
FIG. 10 is bottom elevation view thereof.

**1 Claim, 10 Drawing Sheets**



(56)

**References Cited**

## U.S. PATENT DOCUMENTS

|          |   |   |         |           |       |          |
|----------|---|---|---------|-----------|-------|----------|
| D790,324 | S | * | 6/2017  | Ajello    | ..... | D8/354   |
| D808,576 | S | * | 1/2018  | Clarke    | ..... | D8/354   |
| D811,853 | S | * | 3/2018  | Foley     | ..... | D8/354   |
| D839,080 | S | * | 1/2019  | Iellimo   | ..... | D8/354   |
| D839,081 | S | * | 1/2019  | Iellimo   | ..... | D8/354   |
| D839,083 | S | * | 1/2019  | Silva     | ..... | D8/354   |
| D844,415 | S | * | 4/2019  | Kneib     | ..... | D8/354   |
| D880,277 | S | * | 4/2020  | Perry     | ..... | D8/354   |
| D887,251 | S | * | 6/2020  | Fox       | ..... | D8/354   |
| D891,232 | S | * | 7/2020  | Zhang     | ..... | D8/354   |
| D895,403 | S | * | 9/2020  | Fox       | ..... | D8/354   |
| D898,554 | S | * | 10/2020 | Evans     | ..... | D8/354   |
| D899,225 | S | * | 10/2020 | Zhang     | ..... | D8/354   |
| D904,170 | S | * | 12/2020 | Francis   | ..... | D8/354   |
| D908,471 | S | * | 1/2021  | Cronkhite | ..... | D8/354   |
| D910,423 | S | * | 2/2021  | Pigg      | ..... | D8/349   |
| D913,525 | S | * | 3/2021  | Xuwei     | ..... | D25/38.1 |
| D921,640 | S | * | 6/2021  | Cheng     | ..... | D8/381   |
| D922,856 | S | * | 6/2021  | Stearns   | ..... | D8/354   |

## OTHER PUBLICATIONS

Heavy-Duty-Adjustable-Bracket-Cutsheet, Date Visited: Mar. 9, 2022, A & M Hardware, Date Available: Mar. 9, 2022, PDF (Year: 2022).\*

Knape & Vogt John Sterling 0122-19WT Dual Track, Date Visited: Mar. 9, 2022, Amazon, Date Available: Dec. 24, 2014, <https://www.amazon.com/Knape-Vogt-Sterling-0122-19WT-Bracket/product-reviews/B00DXZLGGQ> (Year: 2014).\*

Large Shelf Bracket—The Original Granite Bracket, Date Visited: Mar. 9, 2022, The Original Granite Bracket, Date Available: Jul. 20, 2015, <https://originalgranitebracket.com/products/large-shelf-bracket?variant=31959893999713> (Year: 2015).\*

\* cited by examiner

Fig. 1

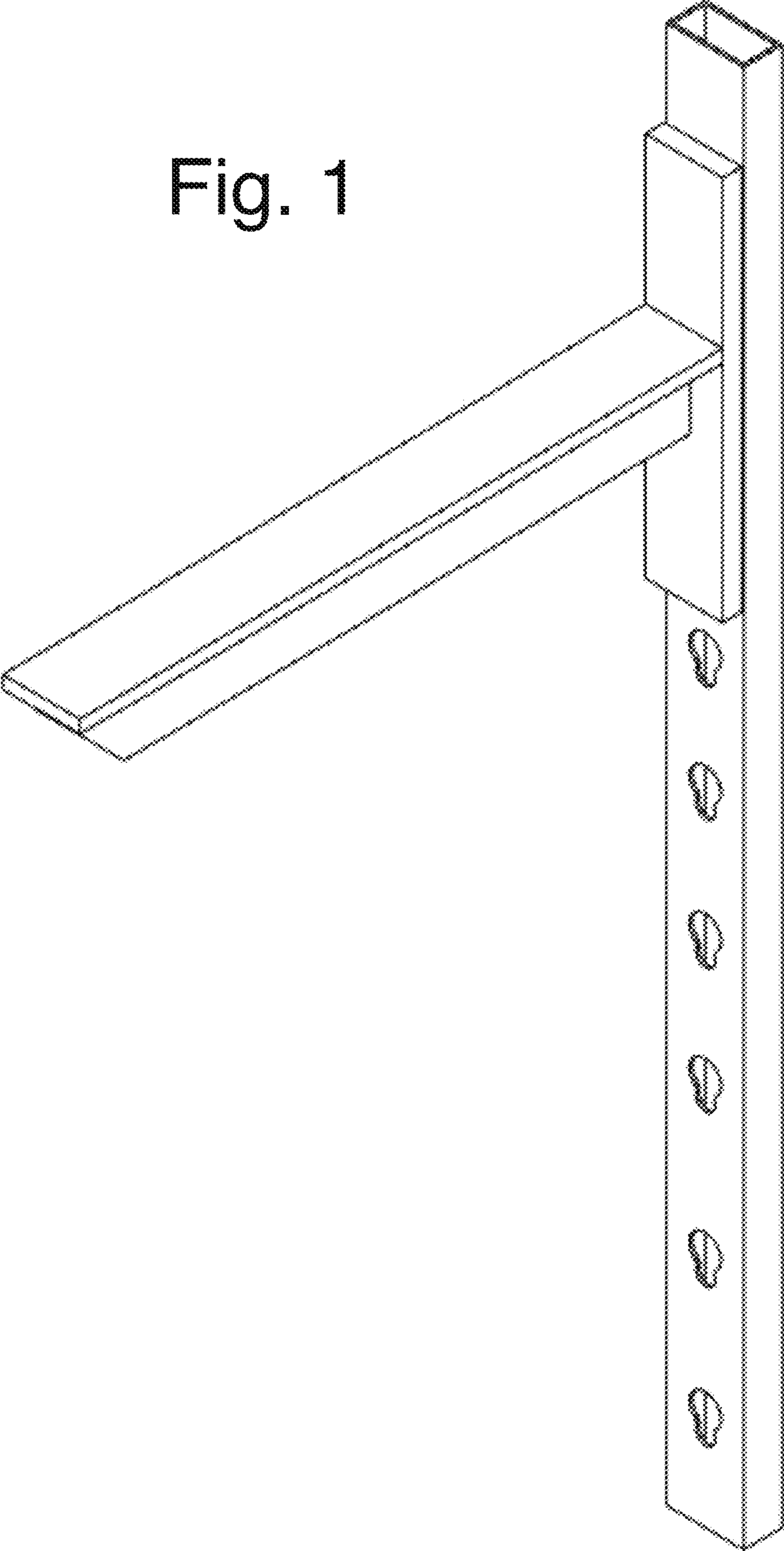


Fig. 2

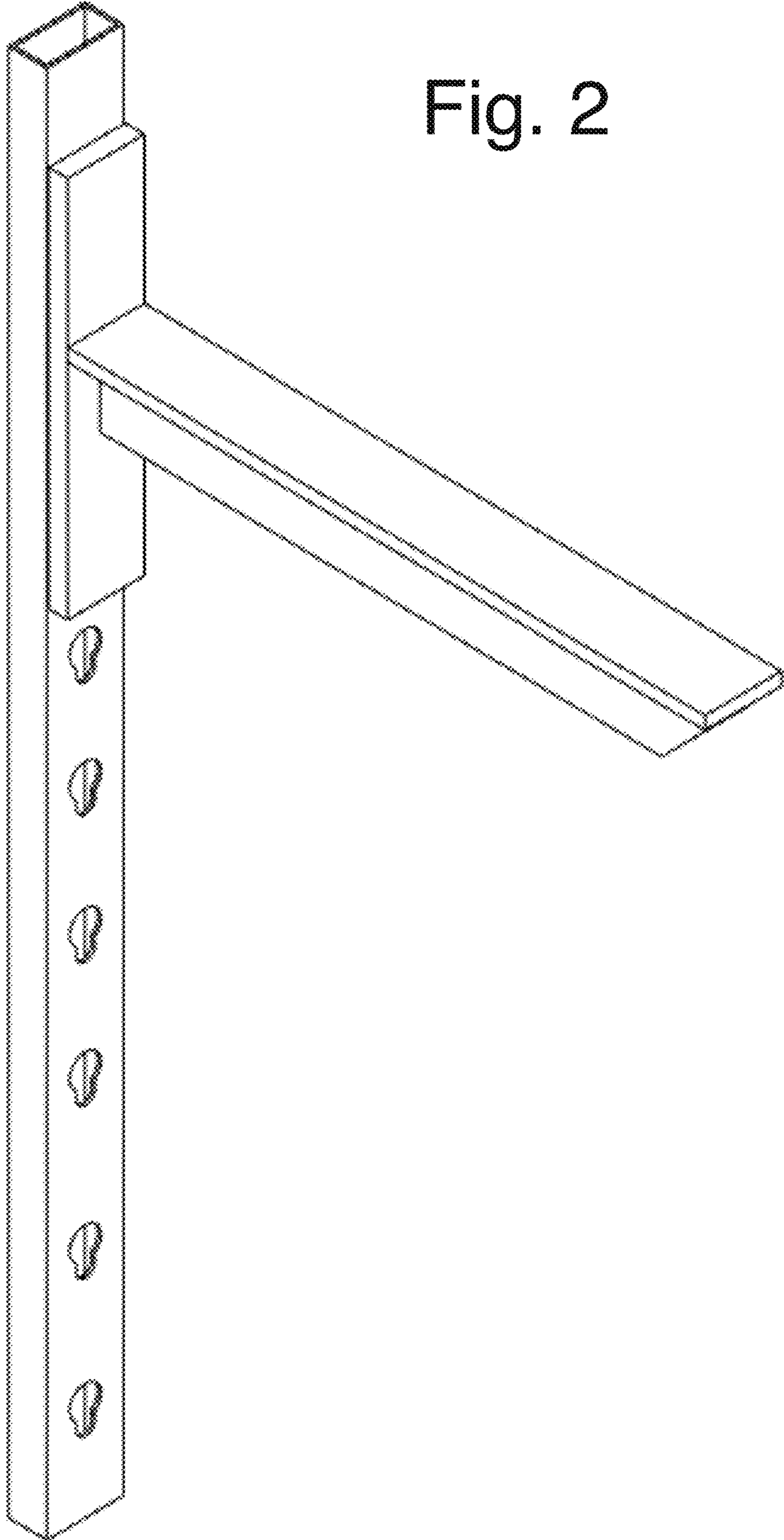
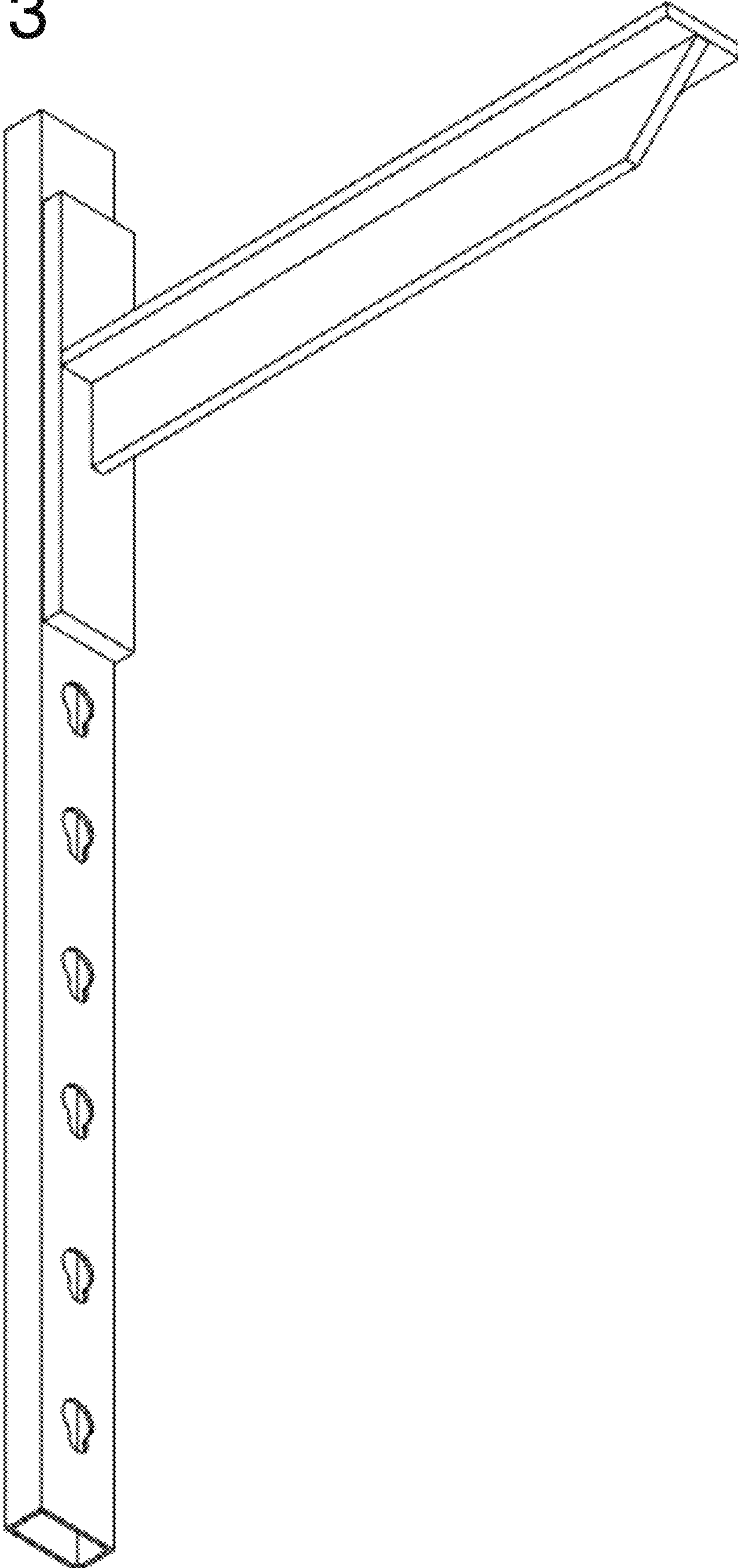


Fig. 3



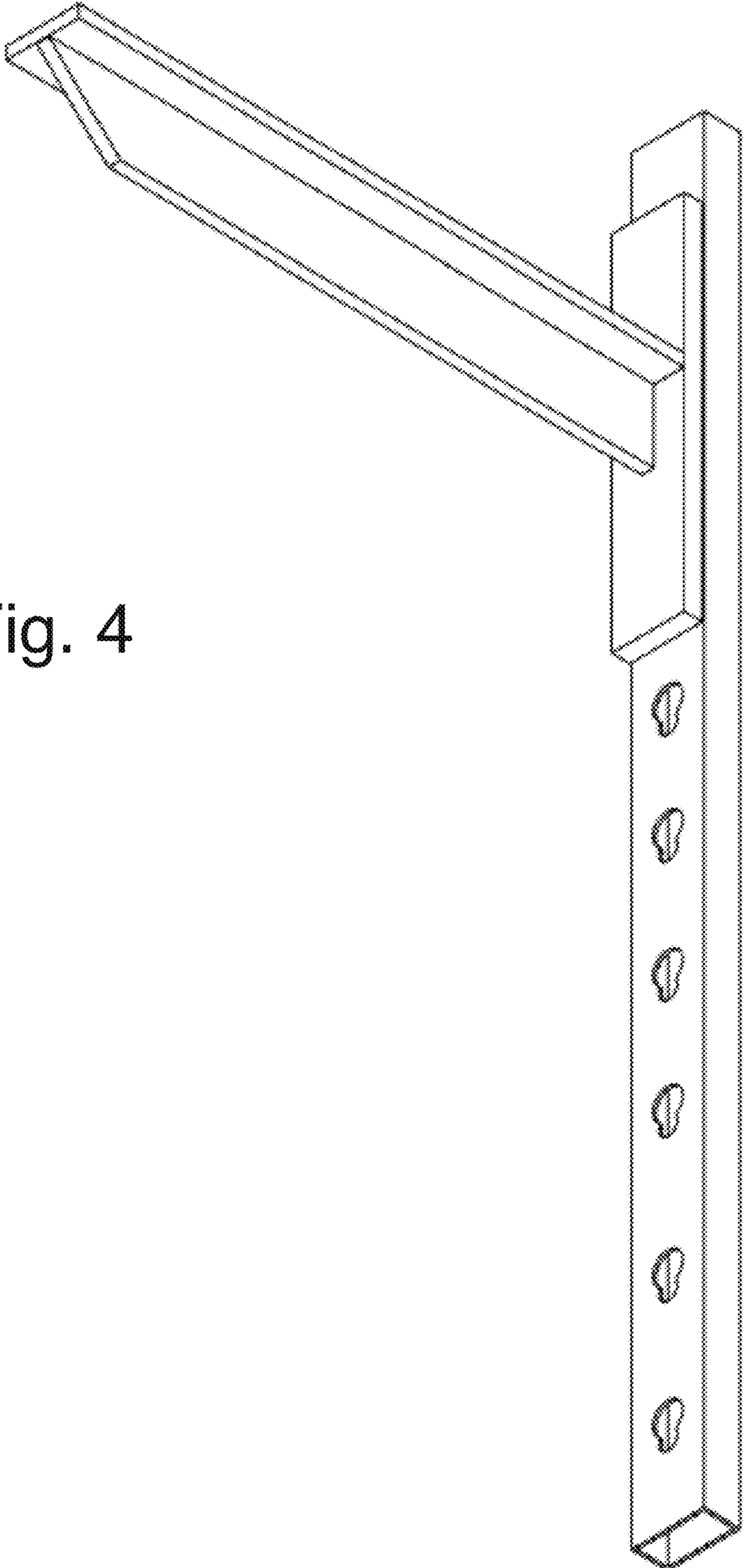


Fig. 4

Fig. 5

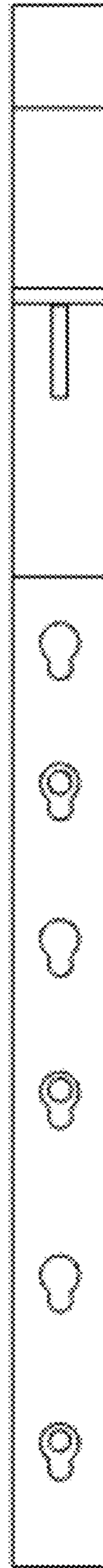


Fig. 6

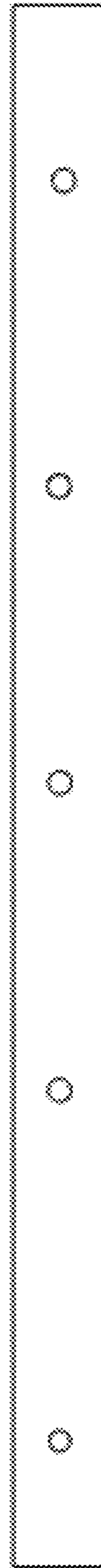




Fig. 7

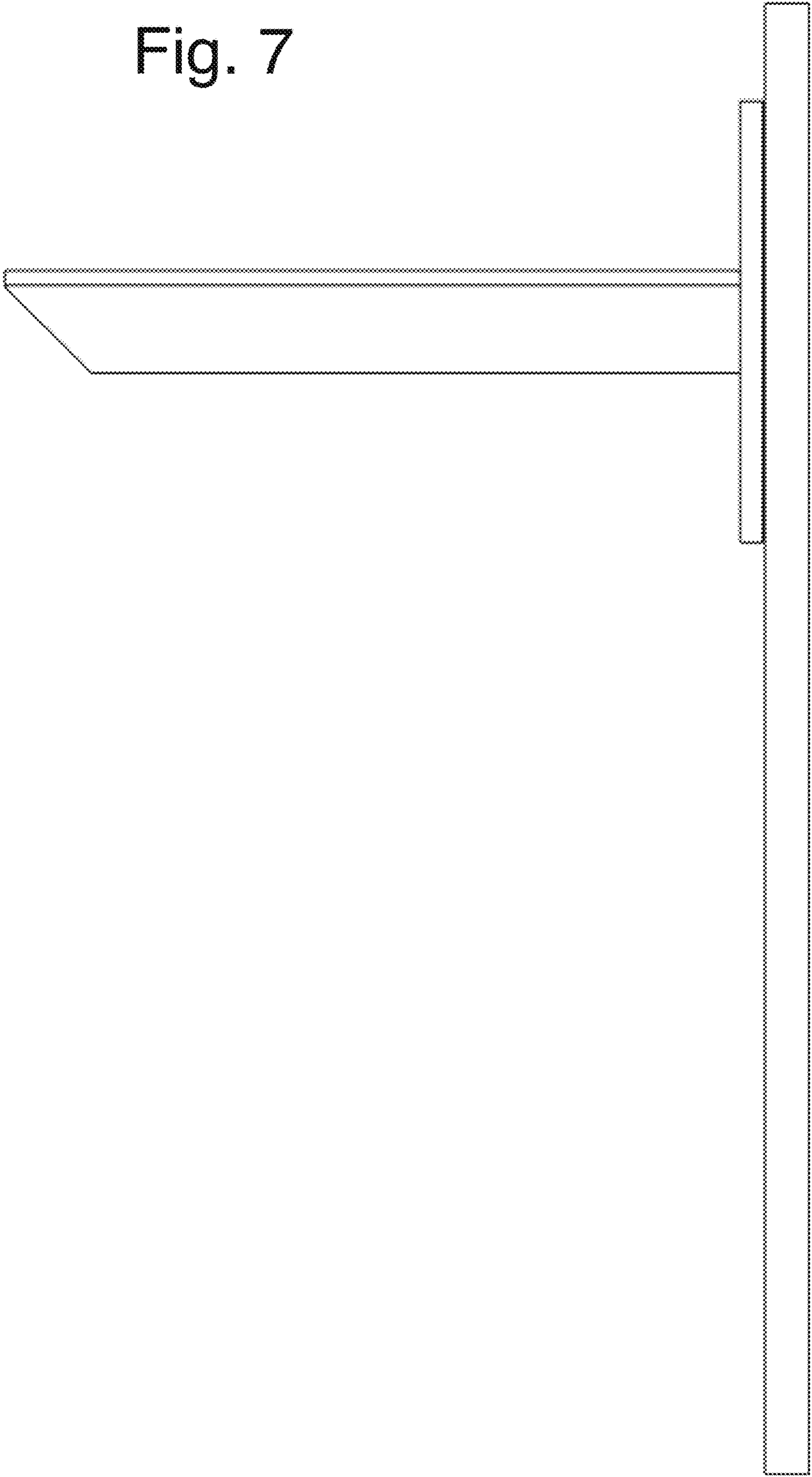


Fig. 8

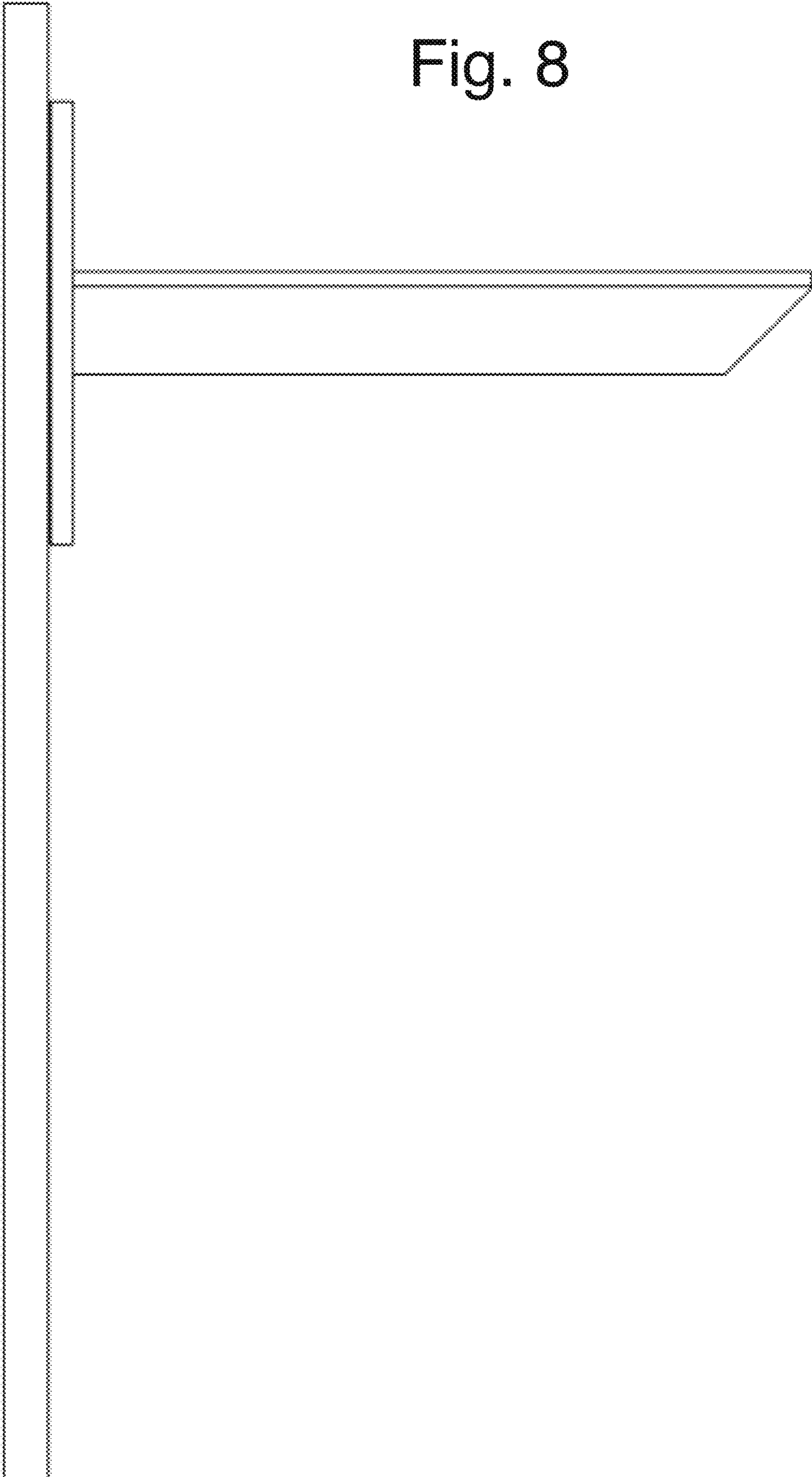


Fig. 9

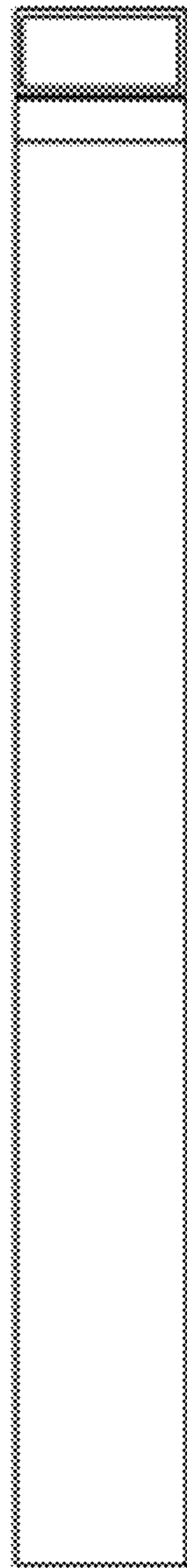


Fig.10

