



US00D976678S

(12) **United States Design Patent**
Becker

(10) **Patent No.:** **US D976,678 S**

(45) **Date of Patent:** **** Jan. 31, 2023**

(54) **MOUNTING DEVICE FOR PICTURES**

(71) Applicants: **Stefan Harold Becker**, Hamburg (DE);
Gero Han Brockstedt, Marienheide
(DE)

(72) Inventor: **Stefan Harold Becker**, Hamburg (DE)

(**) Term: **15 Years**

(21) Appl. No.: **35/513,269**

(22) Filed: **Sep. 7, 2021**

(80) **Hague Agreement Data**

Int. Filing Date: **Sep. 7, 2021**

Int. Reg. No.: **DM/217934**

Int. Reg. Date: **Sep. 7, 2021**

Int. Reg. Pub. Date: **Dec. 24, 2021**

(51) **LOC (14) Cl.** **08-08**

(52) **U.S. Cl.**
USPC **D8/349**

(58) **Field of Classification Search**
USPC D8/354, 363, 367, 380-384, 394, 395,
D8/399; D12/223, 190, 191; D6/550;
D23/253

CPC A47G 1/16; A47G 1/1606; A47G 1/1613;
A47G 1/1633; G03B 17/02; H04M 1/04;
E04H 17/14; E04H 17/1447; E04H 17/16;
E04H 17/17

See application file for complete search history.

(56) **References Cited**

U.S. PATENT DOCUMENTS

D249,803 S * 10/1978 Okano D23/253
D252,339 S * 7/1979 Okano D23/253
D289,139 S * 4/1987 Chasen D8/367

D316,511 S * 4/1991 White, Jr. D8/356
D465,722 S * 11/2002 Shijyo D8/356
D503,216 S * 3/2005 Berkman D23/249
D530,556 S * 10/2006 Berberet D6/550
D658,482 S * 5/2012 Pratt D8/349
D703,296 S * 4/2014 Conway D23/253
D777,167 S * 1/2017 Wengreen D14/447
D815,511 S * 4/2018 Groleski D8/350
D820,247 S * 6/2018 Ahn D14/253
D838,581 S * 1/2019 Huang D8/382
2005/0102804 A1 * 5/2005 Glasser B42F 5/06
24/545
2015/0272352 A1 * 10/2015 Chowdhury A47G 1/166
248/479
2018/0125269 A1 * 5/2018 Smeja A47G 1/17

FOREIGN PATENT DOCUMENTS

EM 008455059-0003 * 3/2021

* cited by examiner

Primary Examiner — Richard Kearney

Assistant Examiner — Benjamin M Weeks

(57) **CLAIM**

The ornamental design for a mounting device for pictures, as shown and described.

DESCRIPTION

1. Mounting device for pictures

1.1 : Front perspective view

1.2 : Rear perspective view

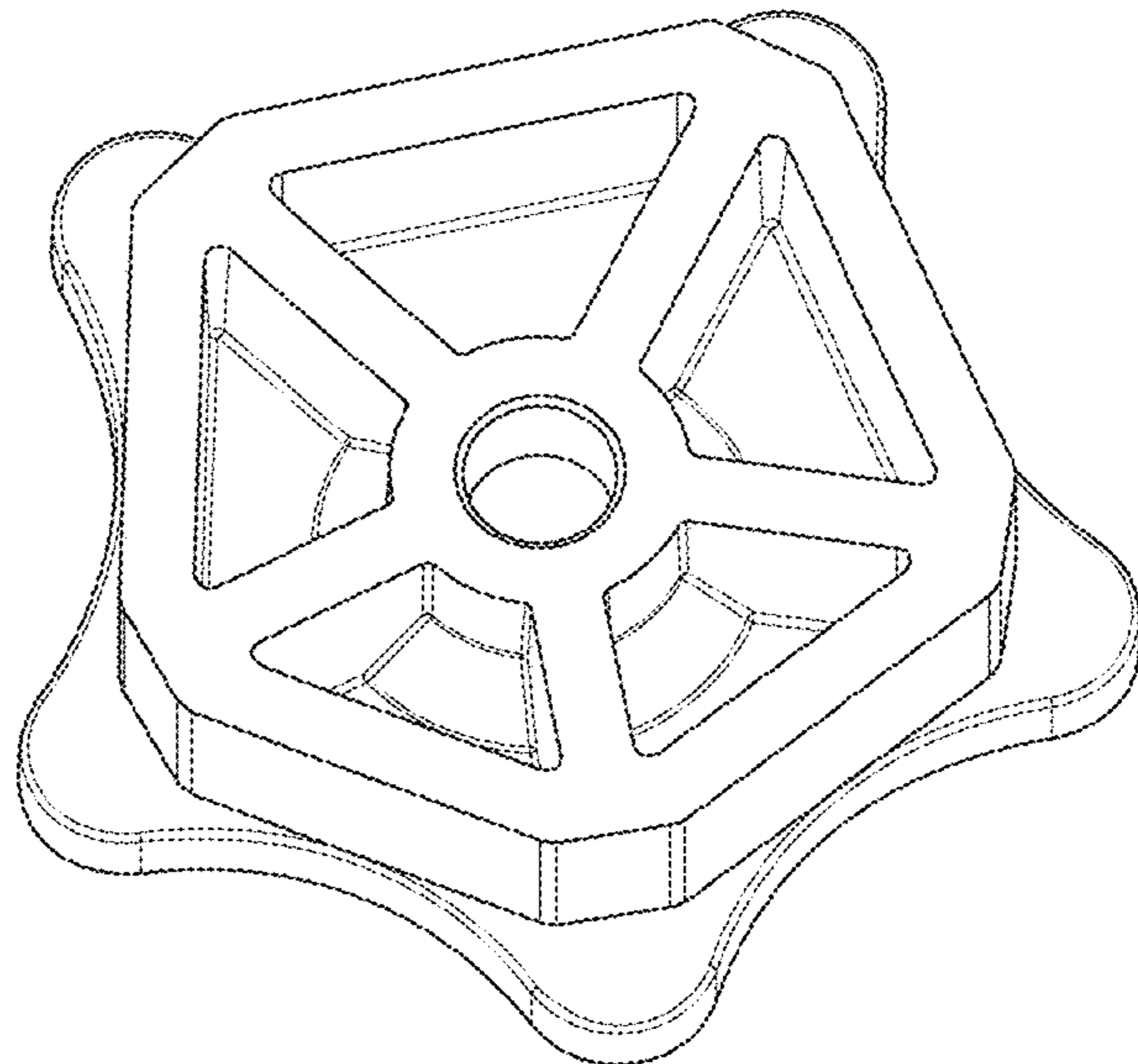
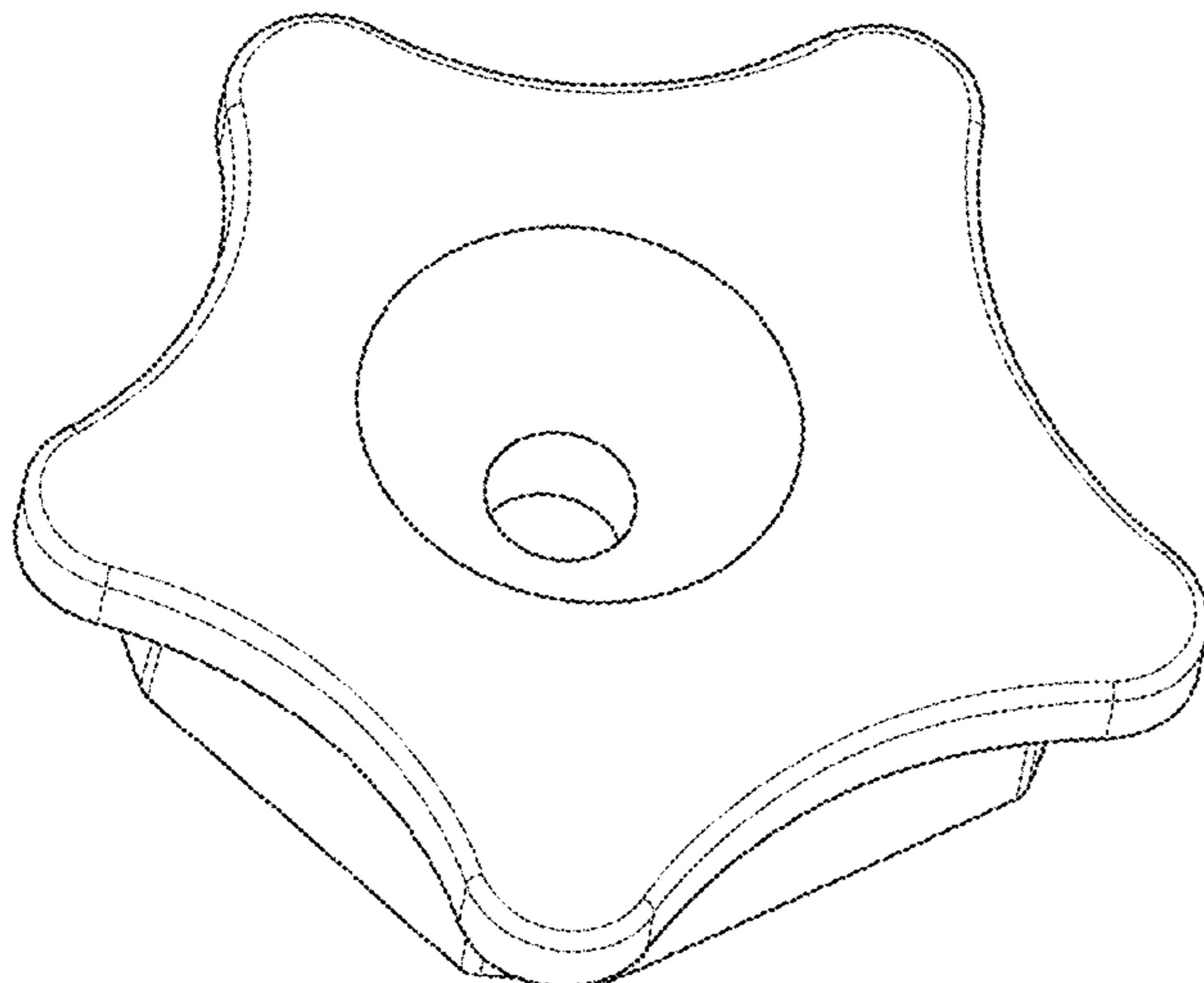
1.3 : Side plan view

1.4 : Front plan view

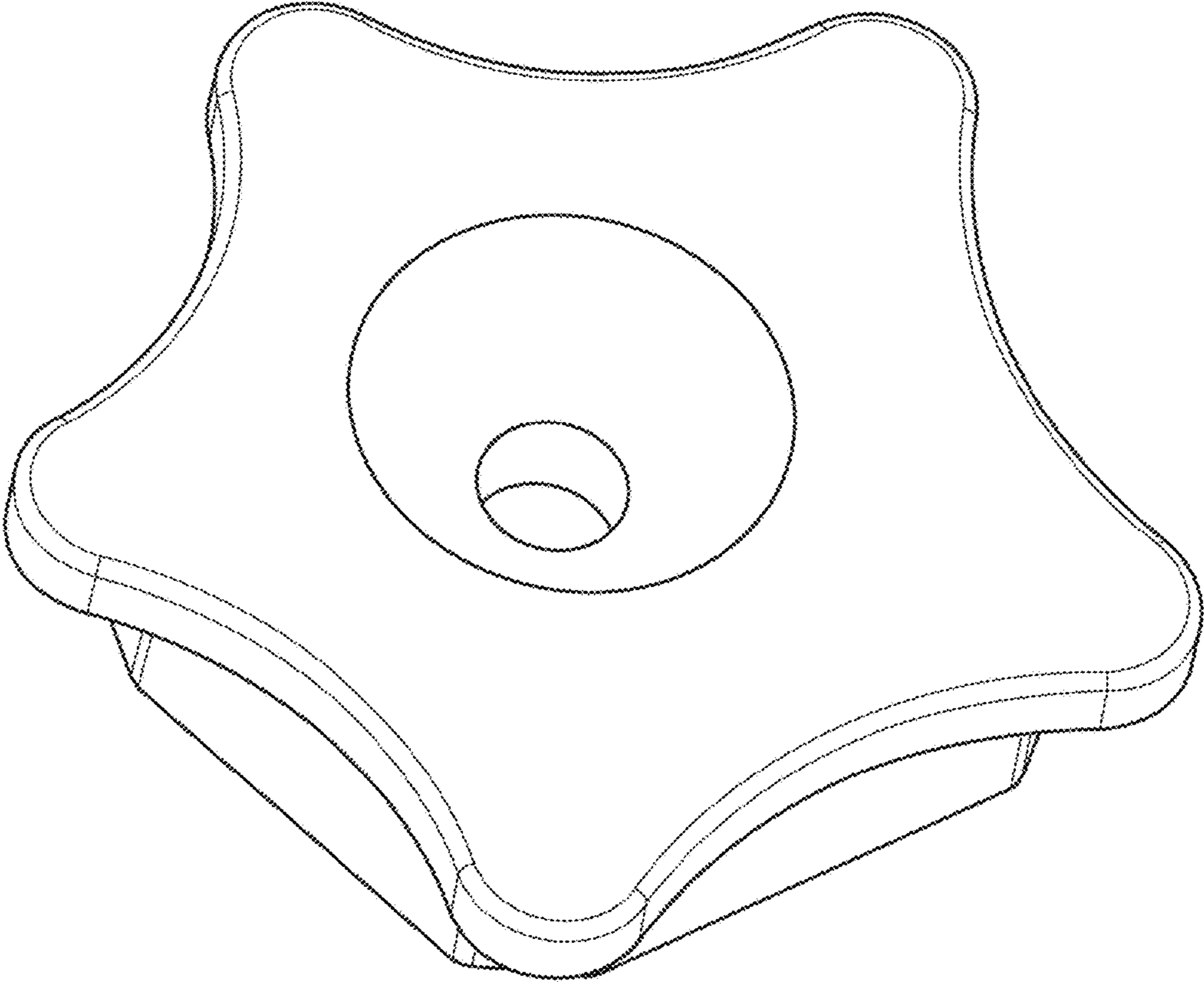
1.5 : Rear plan view

Fig. 1.1 is a front perspective view of the mounting device for pictures; fig. 1.2 is a rear perspective view thereof; fig. 1.3 is a side plan view thereof; fig. 1.4 is a front plan view thereof; fig. 1.5 is a rear plan view thereof.

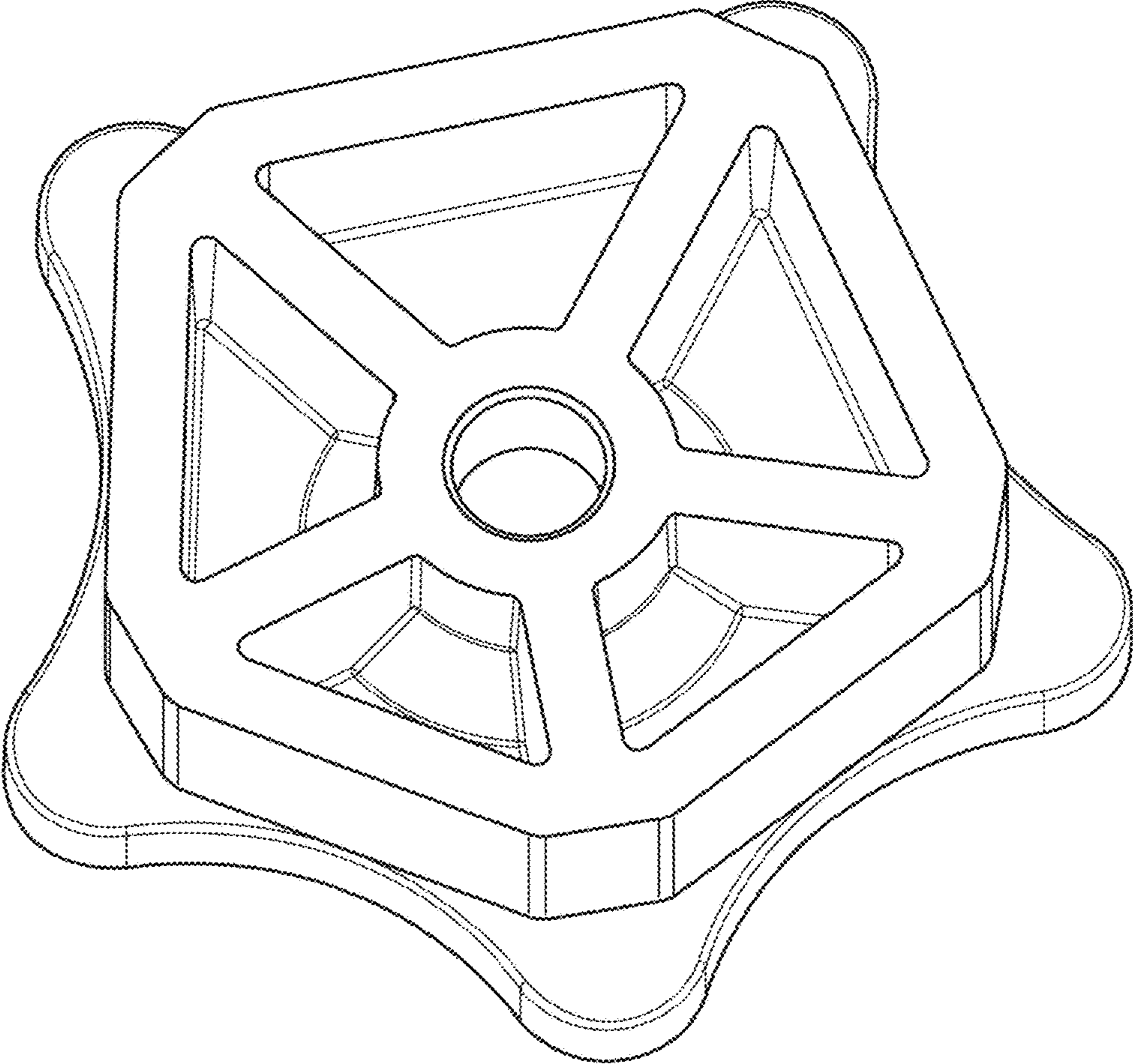
1 Claim, 5 Drawing Sheets



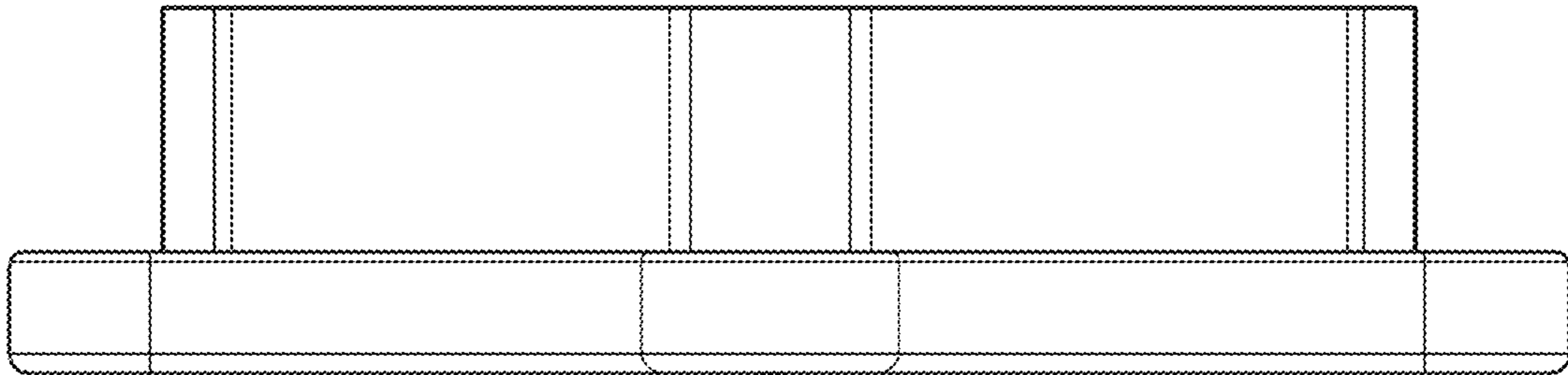
1.1



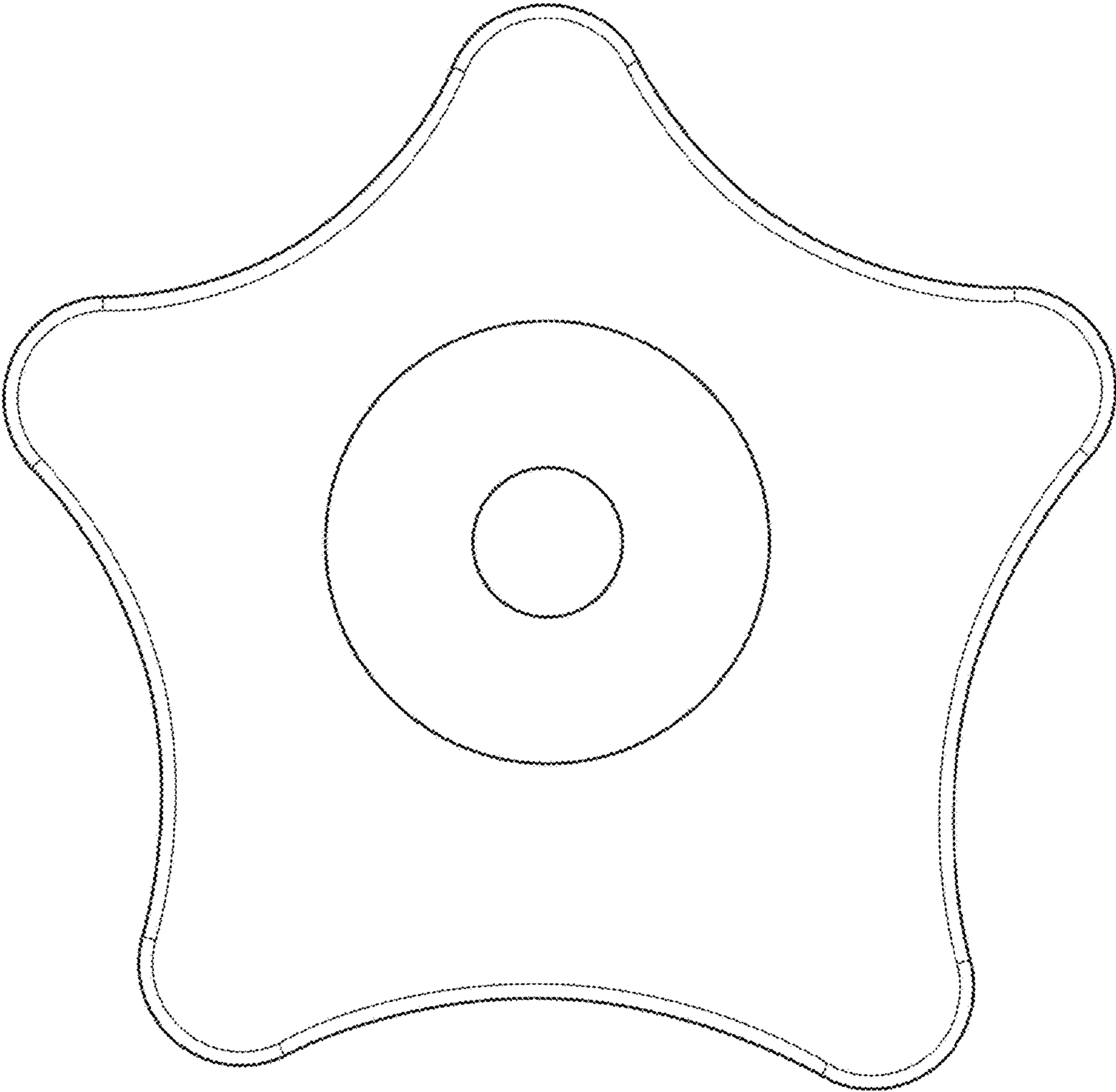
1.2



1.3



1.4



1.5

