



US00D976677S

(12) **United States Design Patent**
Kumazawa

(10) **Patent No.:** **US D976,677 S**
(45) **Date of Patent:** **** Jan. 31, 2023**

(54) **MOUNTING ATTACHMENT FOR CHAIR**

(71) Applicant: **Aichi Co., Ltd.**, Aichi-ken (JP)

(72) Inventor: **Taku Kumazawa**, Nagoya (JP)

(**) Term: **15 Years**

(21) Appl. No.: **35/512,467**

(22) Filed: **Mar. 2, 2021**

(80) **Hague Agreement Data**

Int. Filing Date: **Mar. 2, 2021**

Int. Reg. No.: **DM/213288**

Int. Reg. Date: **Mar. 2, 2021**

Int. Reg. Pub. Date: **Sep. 3, 2021**

(30) **Foreign Application Priority Data**

Sep. 9, 2020 (JP) 2020-019272 D

(51) **LOC (14) Cl.** **08-08**

(52) **U.S. Cl.**
USPC **D8/349**

(58) **Field of Classification Search**
USPC D6/338, 362, 648.1, 653.11, 653.18,
D6/655.18, 688.15; D8/349, 354, 374,
D8/380

CPC . A47B 97/00; A47B 2200/0031; F16B 2/185;
F16M 13/02; Y10T 403/32459
See application file for complete search history.

(56) **References Cited**

U.S. PATENT DOCUMENTS

- 4,672,898 A * 6/1987 Davidson A47B 23/02
108/142
- 5,169,210 A * 12/1992 Fricano A47C 7/70
297/188.21
- 5,893,607 A * 4/1999 Trimnell A47C 7/70
248/295.11
- D497,487 S * 10/2004 Azumi D6/338

- 7,862,111 B2 * 1/2011 Steenson A47B 21/0314
297/188.2
 - 8,667,906 B2 * 3/2014 Anglavis A47B 97/00
108/97
 - 8,950,805 B2 * 2/2015 Azumi A47C 3/18
297/171
 - D745,372 S * 12/2015 Peterson D7/368
- (Continued)

Primary Examiner — Mark A Goodwin

(57) **CLAIM**

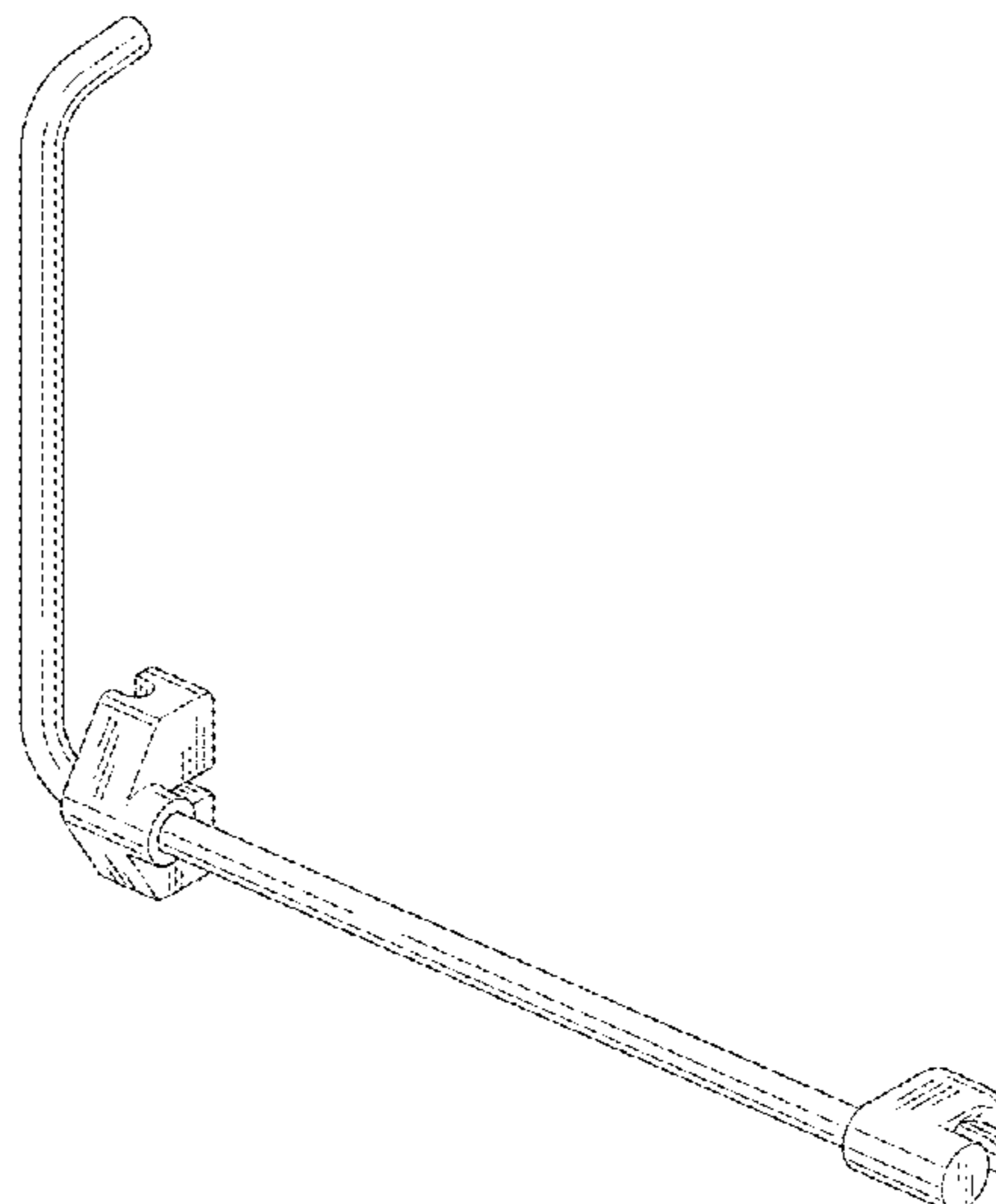
The ornamental design for mounting attachment for chair, as shown and described.

DESCRIPTION

- 1.1:** a first perspective view of the mounting attachment for chair;
- 1.2:** a second perspective view thereof.
- 1.3:** a third perspective view thereof.
- 1.4:** a fourth perspective view thereof.
- 1.5:** a front elevational view thereof.
- 1.6:** a rear elevational view thereof.
- 1.7:** a top plan view thereof.
- 1.8:** a bottom plan view thereof.
- 1.9:** a left elevational view thereof.
- 1.10:** a right elevational view thereof.
- 1.11:** a fifth perspective view of the mounting attachment for chair, supporting a desktop.
- 1.12:** a sixth perspective view of the mounting attachment for chair, supporting the desktop of Figure **1.11**.
- 1.13:** a seventh perspective view of the mounting attachment for chair, mounted to a chair and supporting the desktop of Figure **1.11**.

The parallel thin lines on the surfaces of the subject article represent only shading and do not illustrate ornamentation or decoration. The thin lines on the surface of the subject article are ridgelines to specify the shape of the solid surfaces. The broken lines showing of a desktop in Figures **1.11** and **1.12**, and of a desktop and a chair in Figure **1.13**, is for the purpose of illustrating environmental structure only and forms no part of the claimed design.

1 Claim, 13 Drawing Sheets



(56)

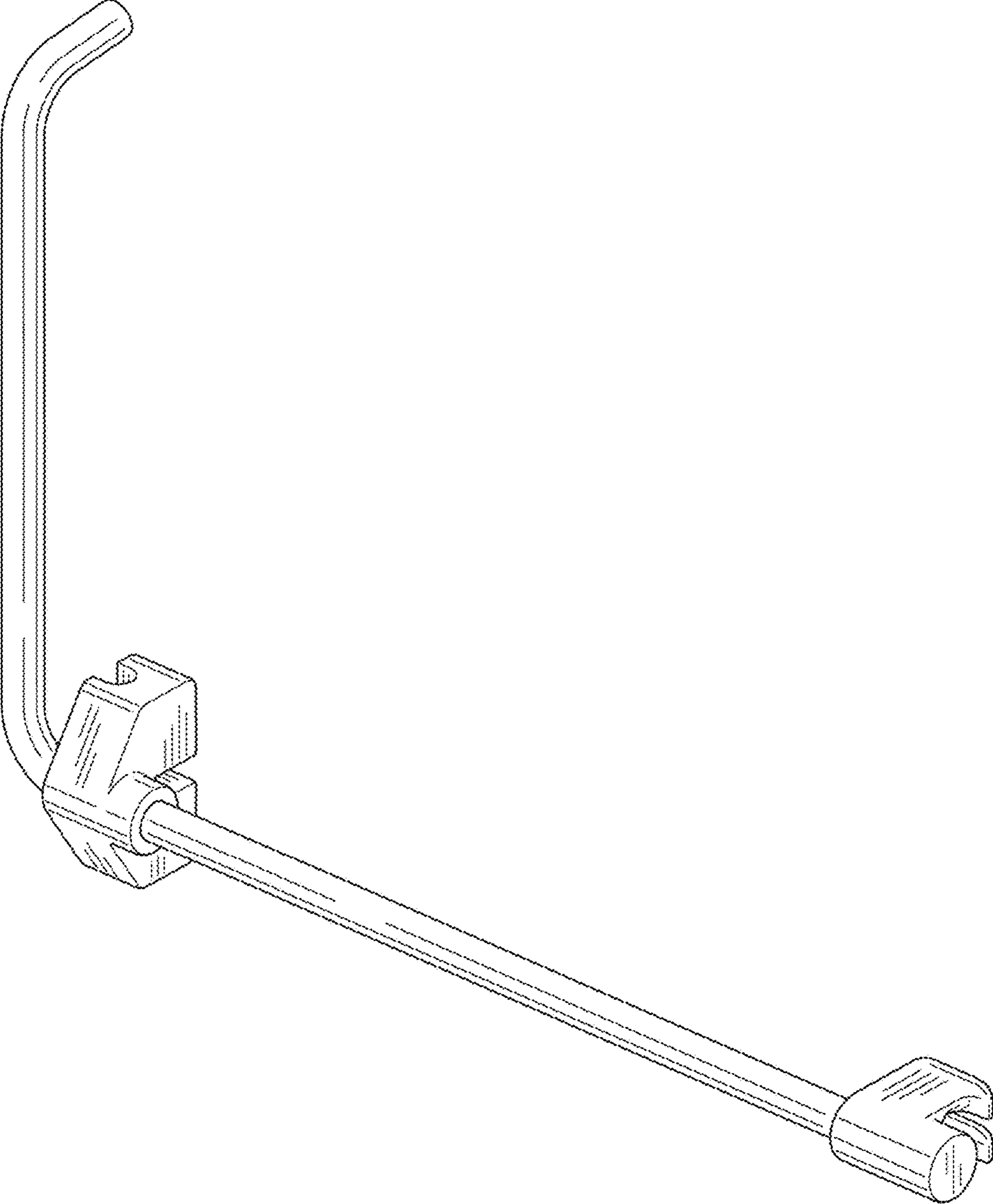
References Cited

U.S. PATENT DOCUMENTS

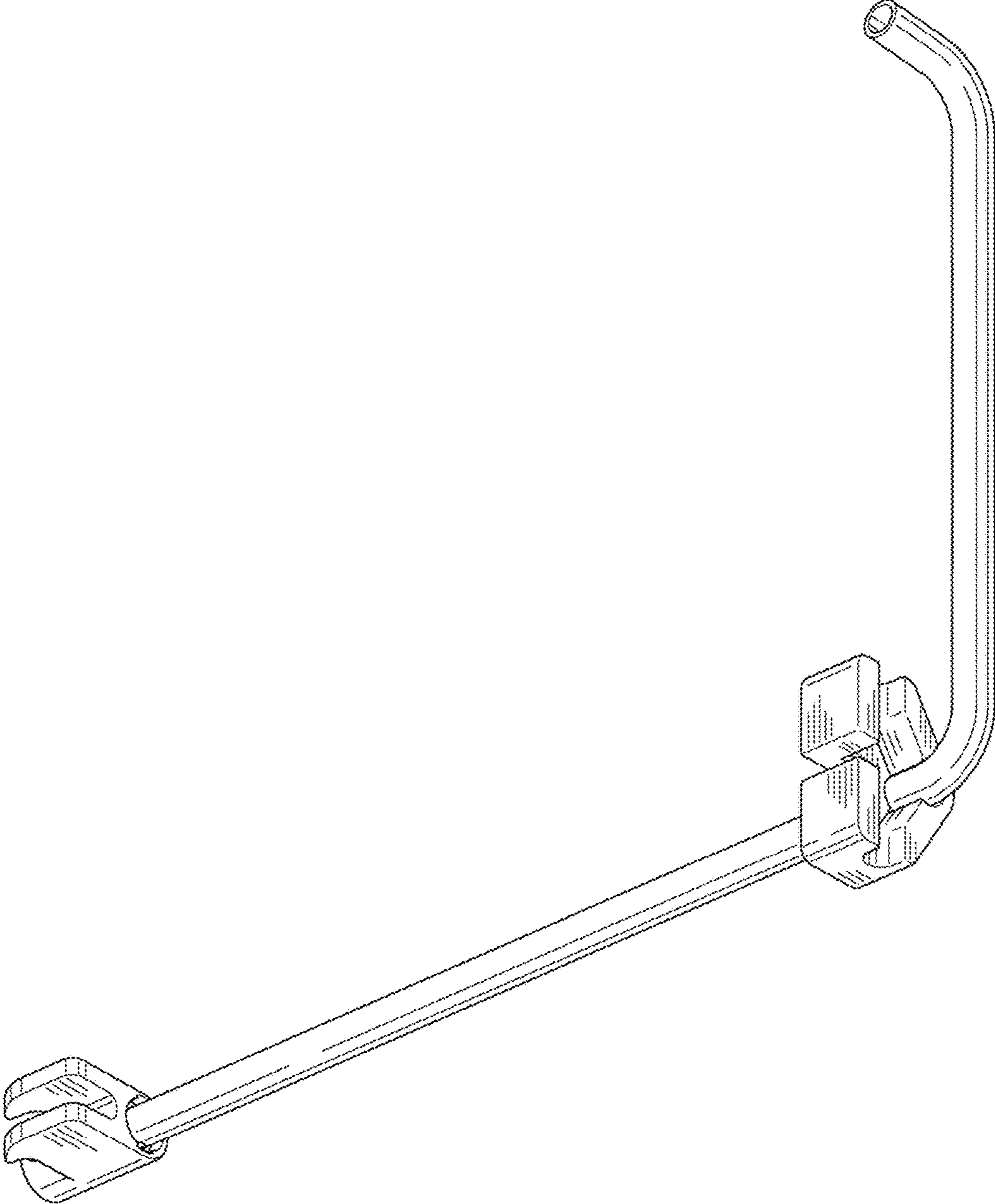
D771,961 S * 11/2016 Mahan-Rudolph D6/341
9,693,625 B2 * 7/2017 Lu A47C 7/626
D793,755 S * 8/2017 Xingchang D6/338
D819,988 S * 6/2018 Jeanphilippe D6/338
10,045,627 B2 * 8/2018 Simon A47C 7/68
10,264,893 B2 * 4/2019 Keilhauer A47C 7/006
D854,914 S * 7/2019 Diez D8/354
D880,878 S * 4/2020 Wynants D6/338
D887,190 S * 6/2020 Lin D8/349
D916,475 S * 4/2021 Frank D6/381
11,166,563 B2 * 11/2021 Chen A47B 39/00
2002/0078862 A1 * 6/2002 Bieza A47B 23/02
108/43
2014/0091193 A1 * 4/2014 Simon F16M 11/105
248/458

* cited by examiner

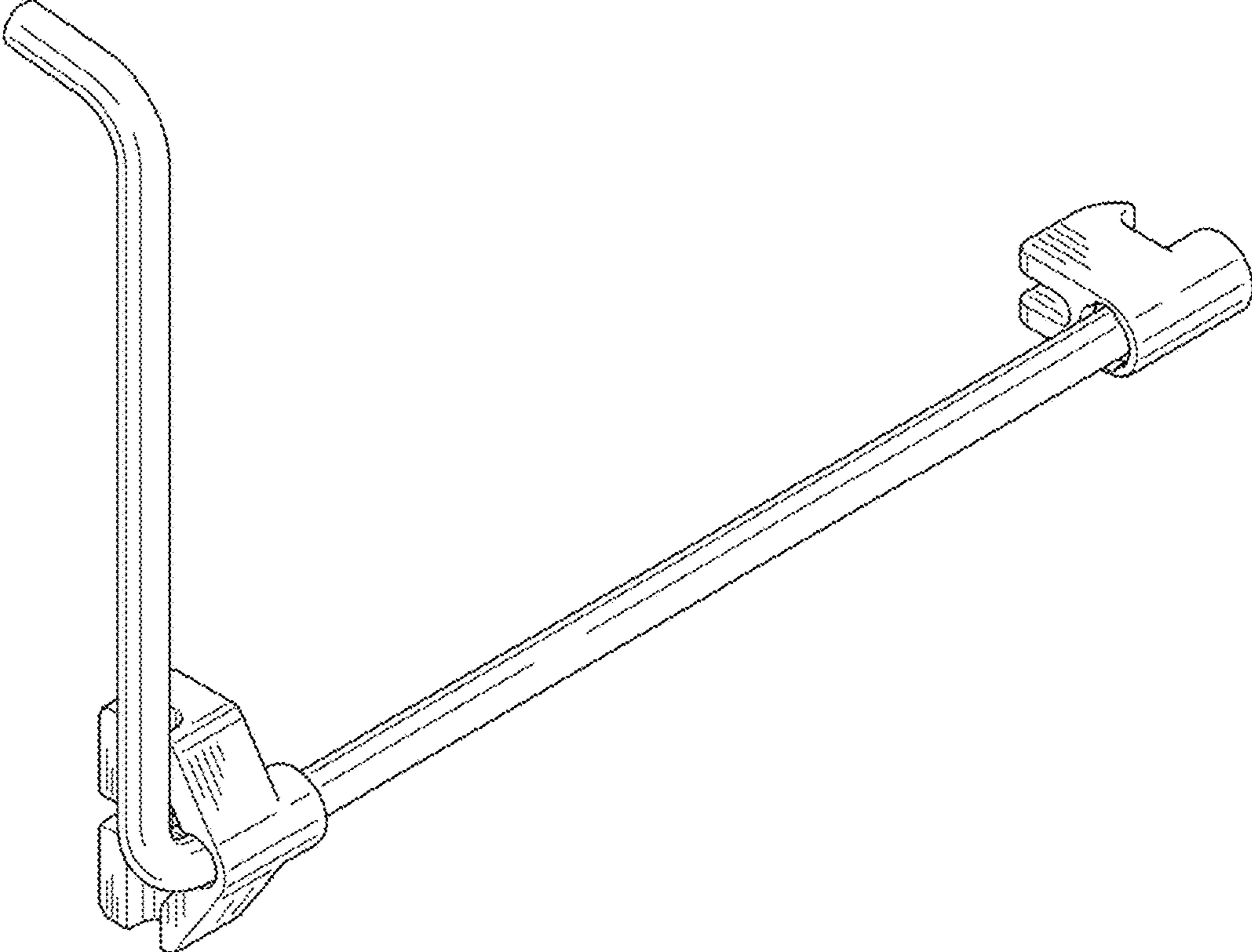
1.1



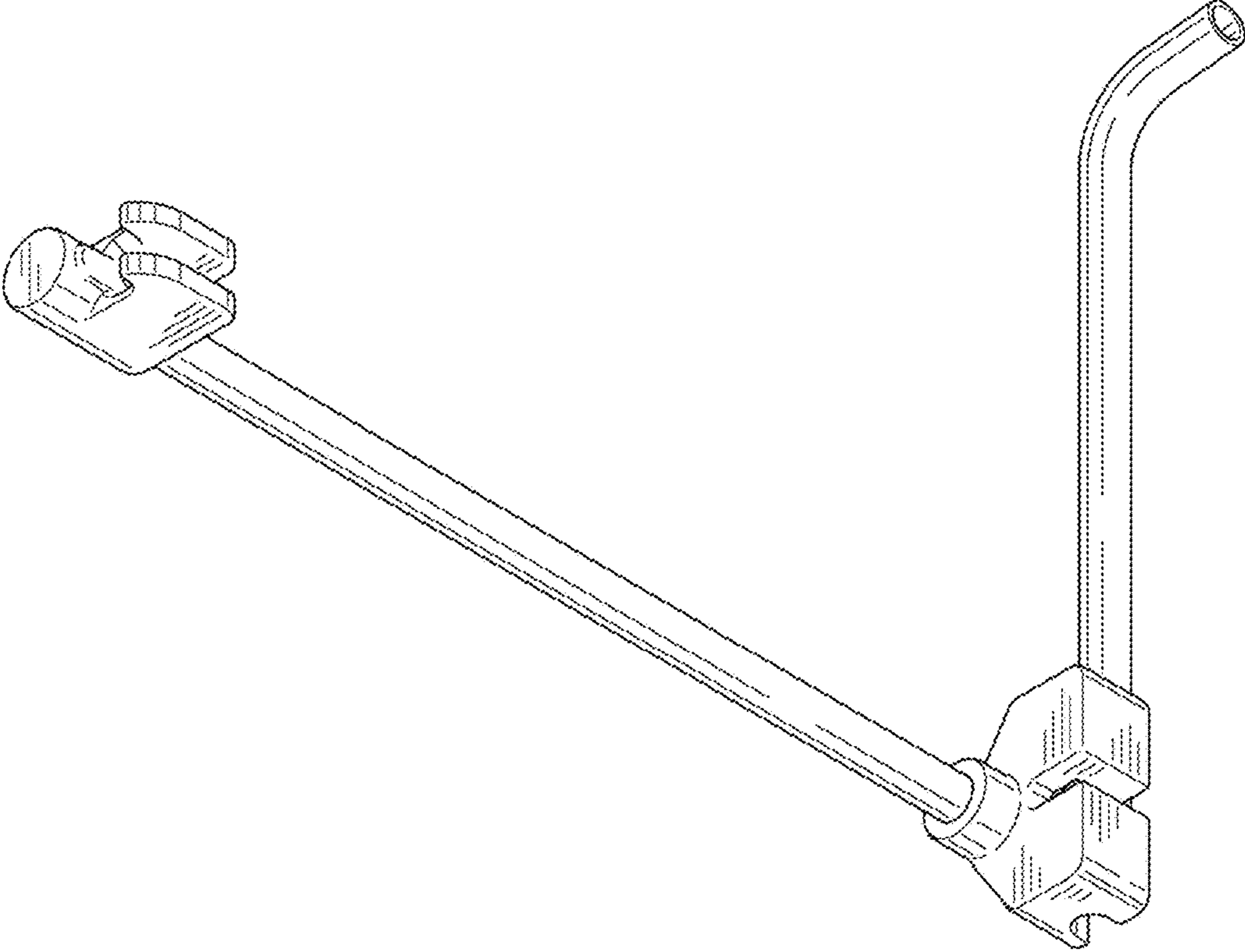
1.2



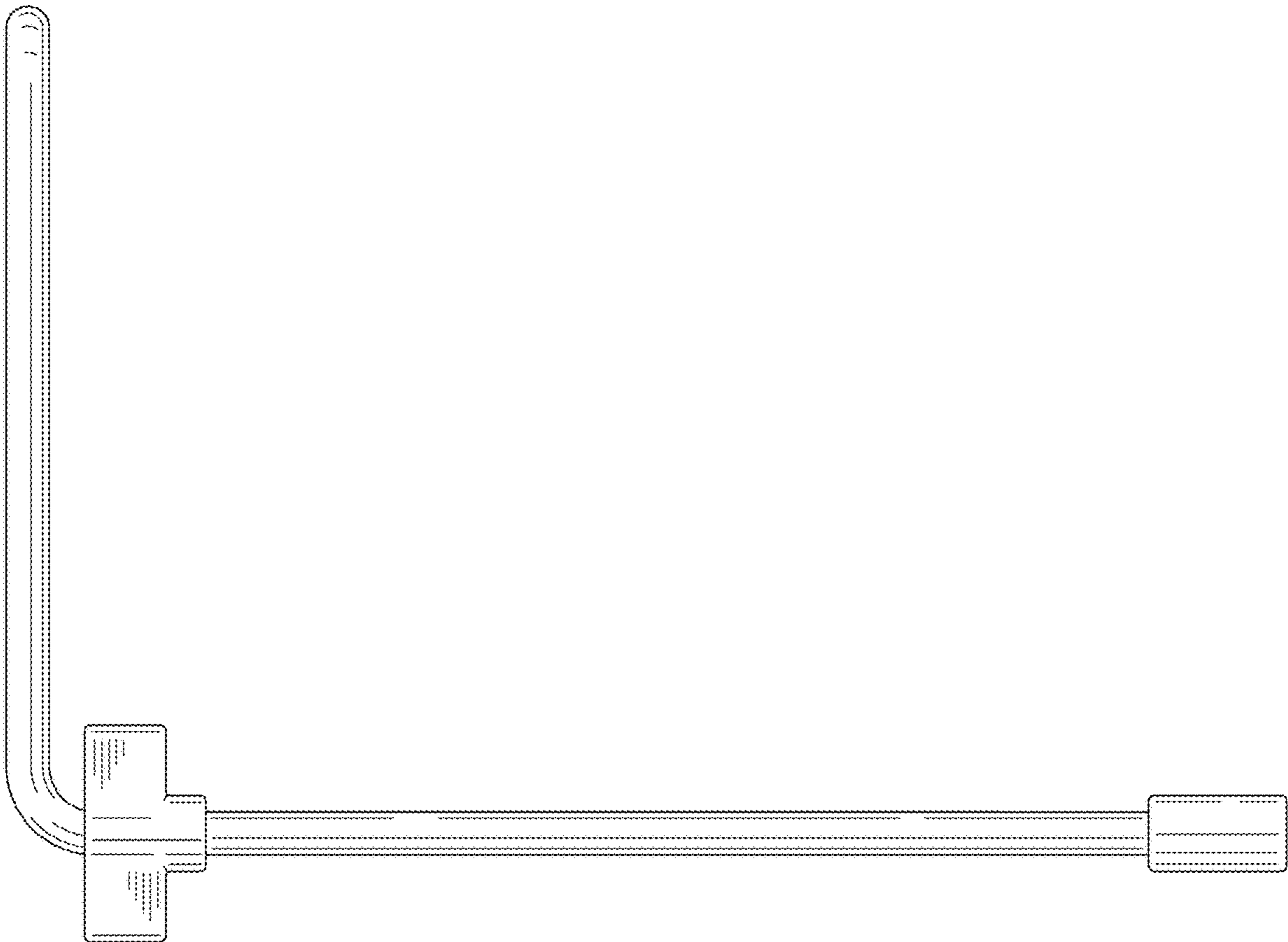
1.3



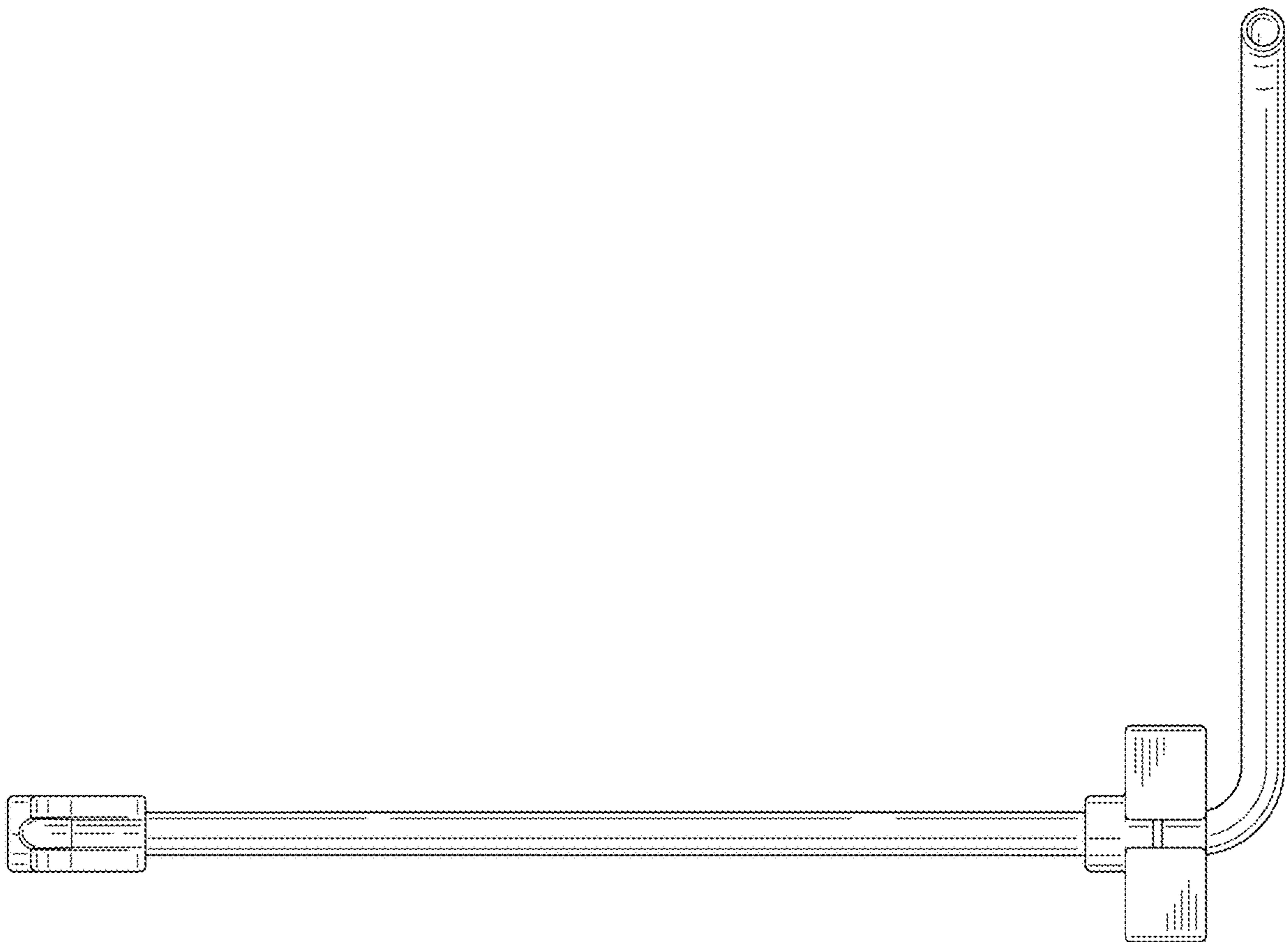
1.4



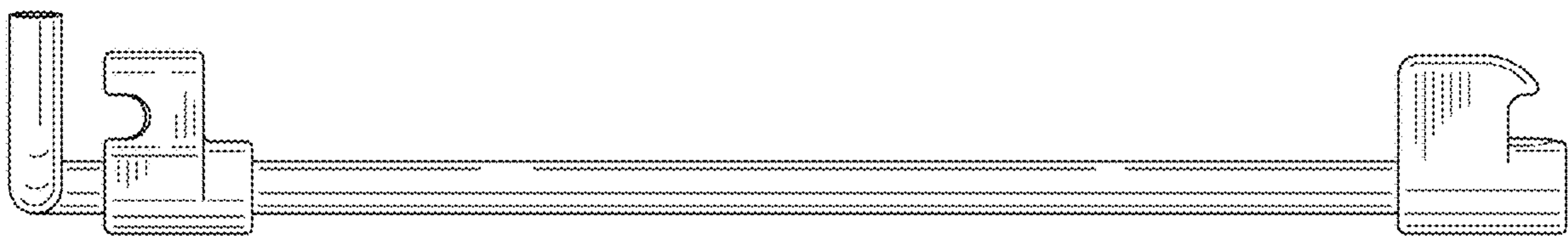
1.5



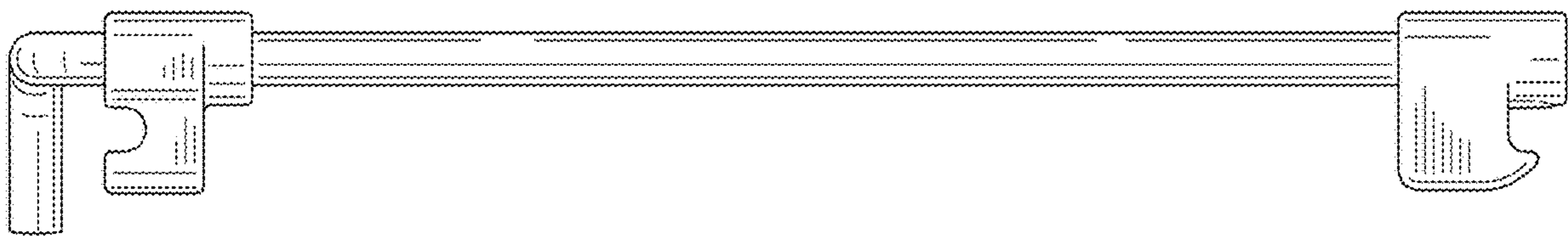
1.6



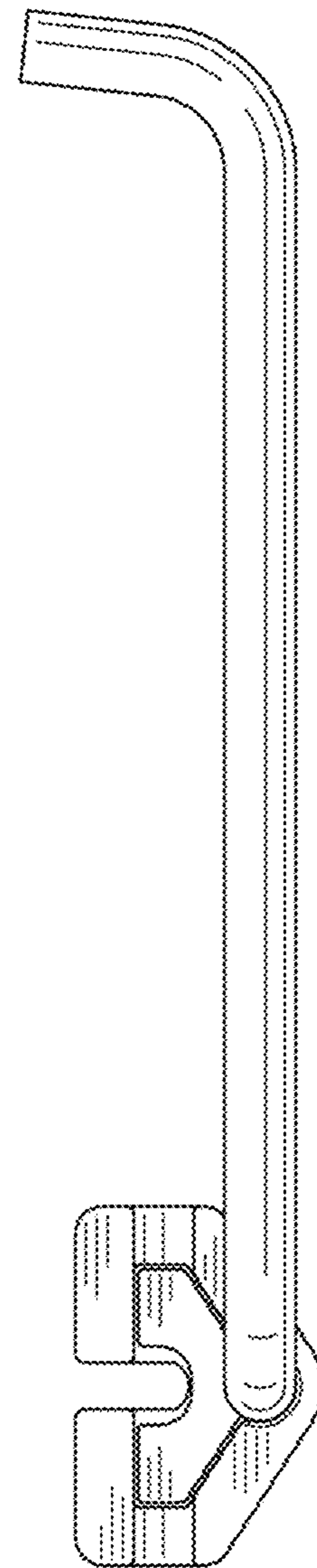
1.7



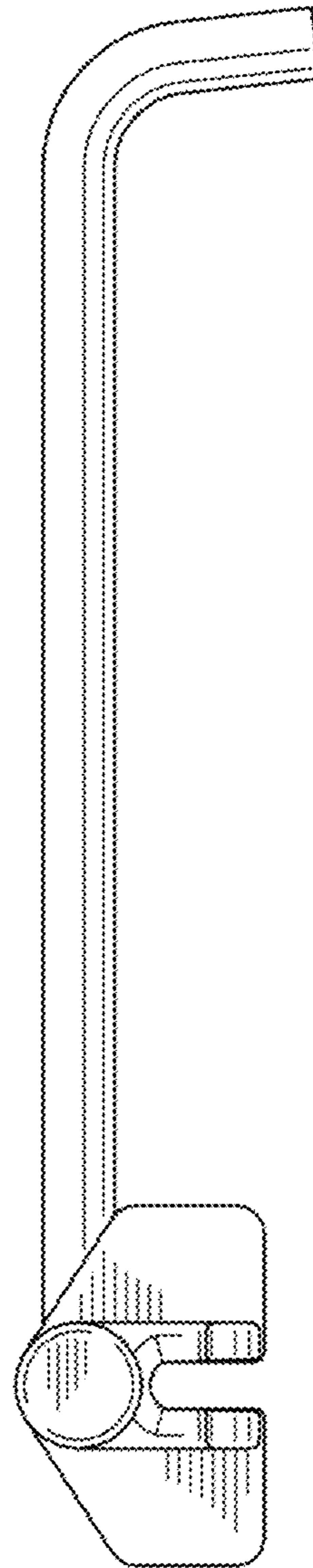
1.8



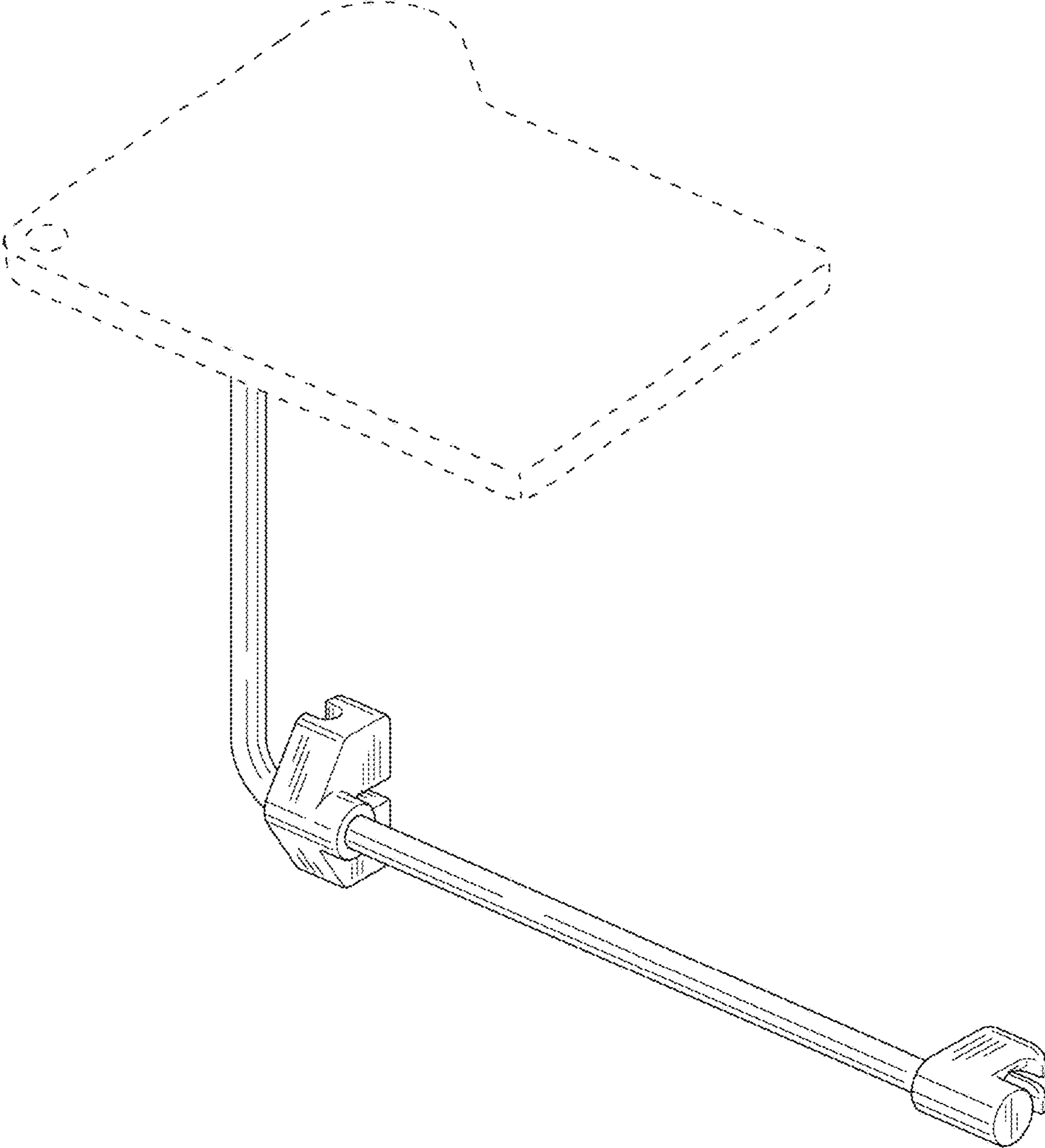
1.9



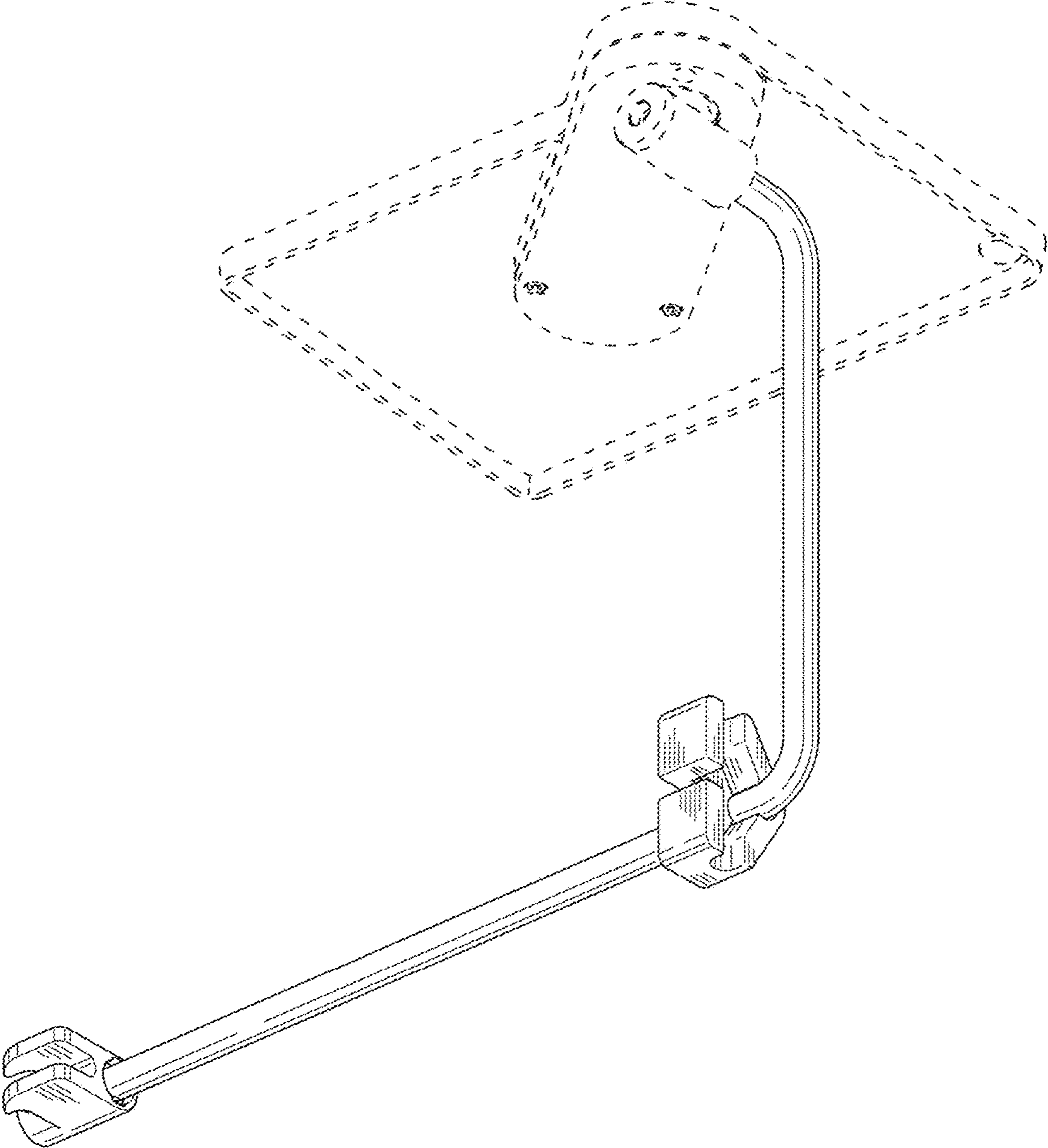
1.10



1.11



1.12



1.13

