



US00D976676S

(12) **United States Design Patent**  
**Schmidt**

(10) **Patent No.:** **US D976,676 S**

(45) **Date of Patent:** **\*\* Jan. 31, 2023**

(54) **PORTION OF A WALL BRACKET**

(71) Applicant: **Vikan A/S**, Skive (DK)

(72) Inventor: **Sune Schmidt**, Skive (DK)

(73) Assignee: **Vikan A/S**, Skive (DK)

(\*\*) Term: **15 Years**

(21) Appl. No.: **29/777,085**

(22) Filed: **Apr. 2, 2021**

(51) **LOC (14) Cl.** ..... **08-08**

(52) **U.S. Cl.**  
USPC ..... **D8/349**

(58) **Field of Classification Search**  
USPC ..... D8/349, 384, 394, 354, 382, 385, 395,  
D8/377

CPC ... E04F 13/0823; E04F 13/0826; E04F 13/08;  
E04F 13/02; E04F 13/0846; E04F 15/04;  
E04F 15/02144; Y10T 16/35; Y10T  
24/10; Y10T 24/26; Y10T 24/44; Y10T  
24/44017; Y10T 24/44256; Y10T  
24/44573; Y10T 24/50; Y10T 24/2174  
See application file for complete search history.

(56) **References Cited**

**U.S. PATENT DOCUMENTS**

D257,810 S \* 1/1981 Wilson ..... D8/355  
D258,264 S \* 2/1981 Mareydt ..... D8/382  
D270,034 S \* 8/1983 Shepard ..... D8/381  
D347,990 S \* 6/1994 Petrohilos ..... D8/382  
D451,786 S \* 12/2001 Wyatt ..... D8/380

D555,459 S \* 11/2007 Goodwin, III ..... D8/363  
D600,540 S \* 9/2009 Hansson ..... D8/380  
D615,847 S \* 5/2010 Tezak ..... D8/349  
D658,484 S \* 5/2012 Wall ..... D8/382  
D747,225 S \* 1/2016 Decook ..... D8/381  
D794,422 S \* 8/2017 Moon ..... D8/349  
D799,306 S \* 10/2017 Lee ..... D8/354  
D799,310 S \* 10/2017 Bacallao ..... D8/382  
D826,704 S \* 8/2018 Wilson ..... D8/382  
D954,532 S \* 6/2022 Bilge ..... D25/124  
2015/0040514 A1 \* 2/2015 Hinkle ..... E04F 15/04  
52/749.1  
2017/0030086 A1 \* 2/2017 Rodriguez Lopez .....  
E04F 13/0812

\* cited by examiner

*Primary Examiner* — Mark A Goodwin

(74) *Attorney, Agent, or Firm* — Knobbe. Martens. Olson  
& Bear, LLP

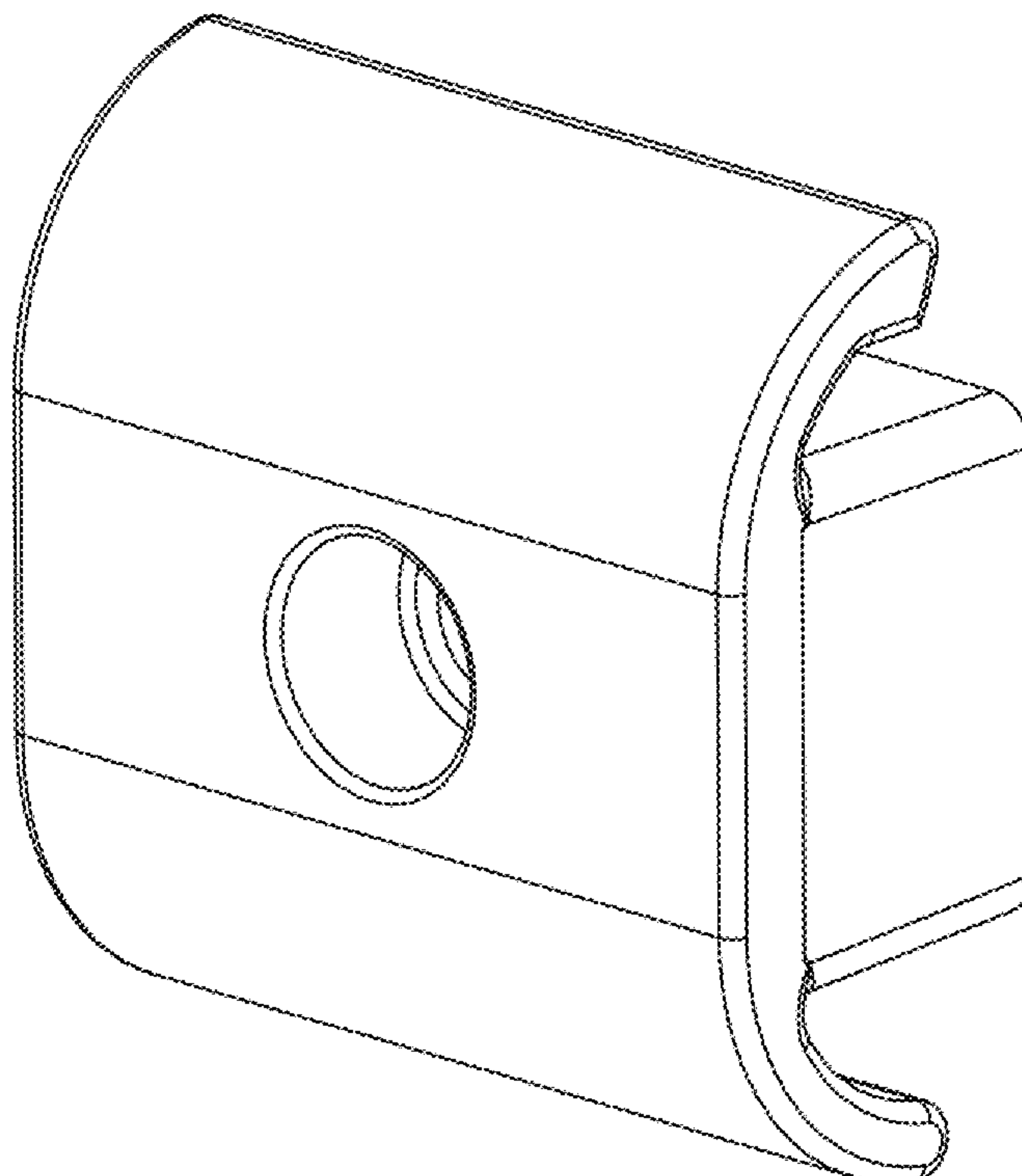
(57) **CLAIM**

The ornamental design for a portion of a wall bracket, as shown and described.

**DESCRIPTION**

FIG. 1 is a front perspective view of a portion of a wall bracket, according to my new design;  
FIG. 2 is a front view thereof;  
FIG. 3 is a first side view thereof; an opposing, second side view is a mirror image of the first side view;  
FIG. 4 is a rear view thereof;  
FIG. 5 is a rear right perspective view thereof; and,  
FIG. 6 is a rear left perspective view thereof.

**1 Claim, 6 Drawing Sheets**



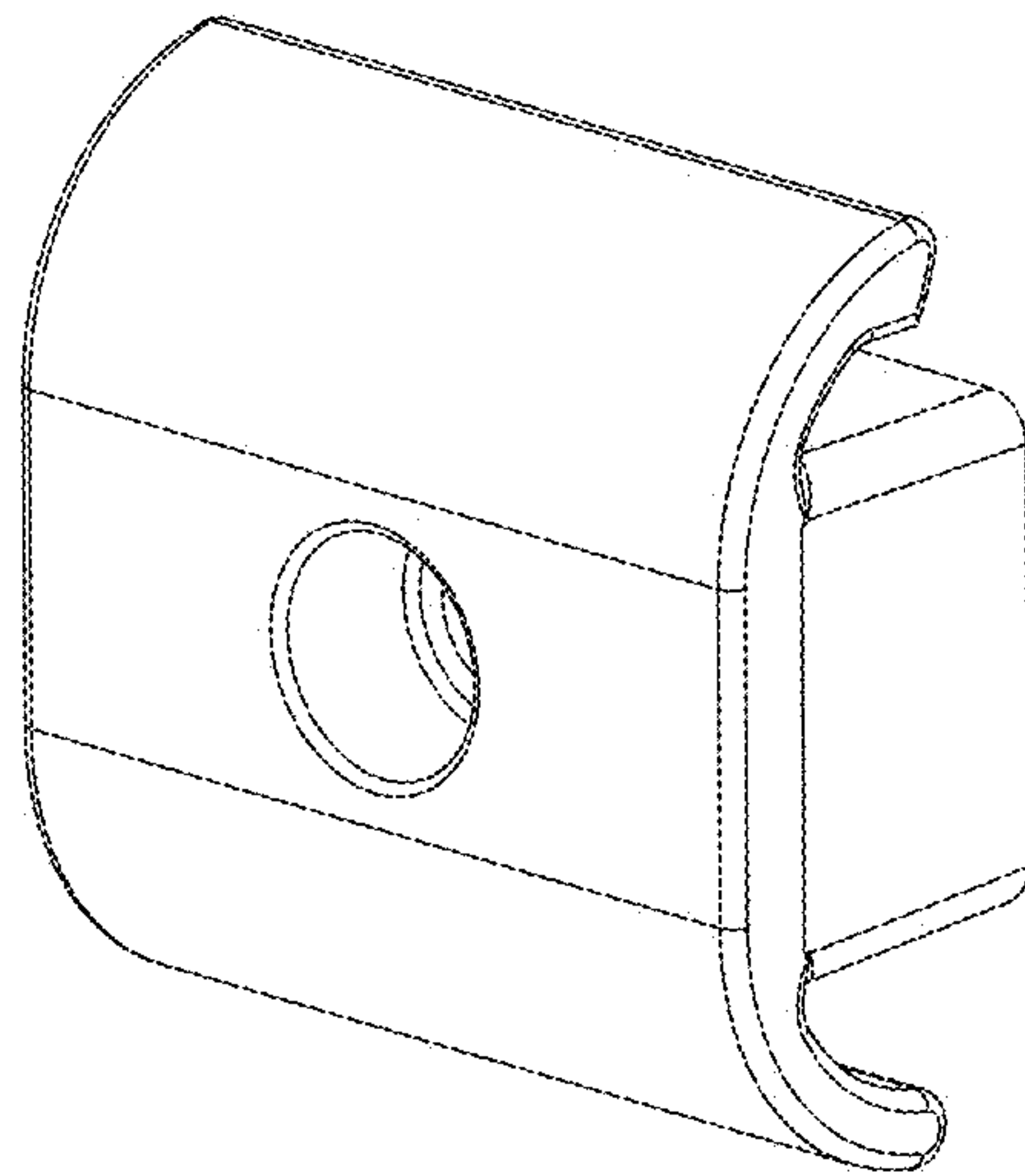


FIG. 1

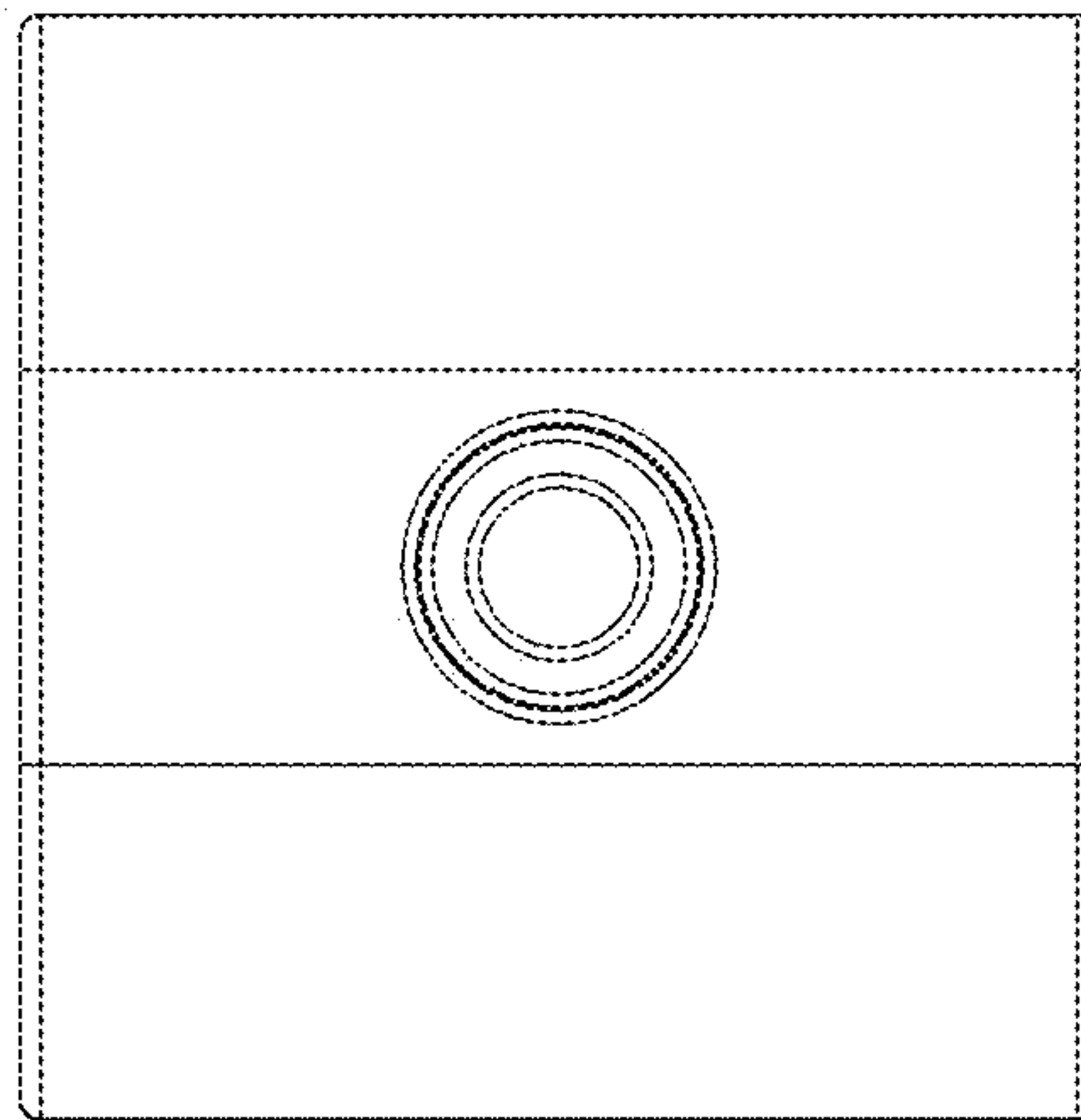


FIG. 2

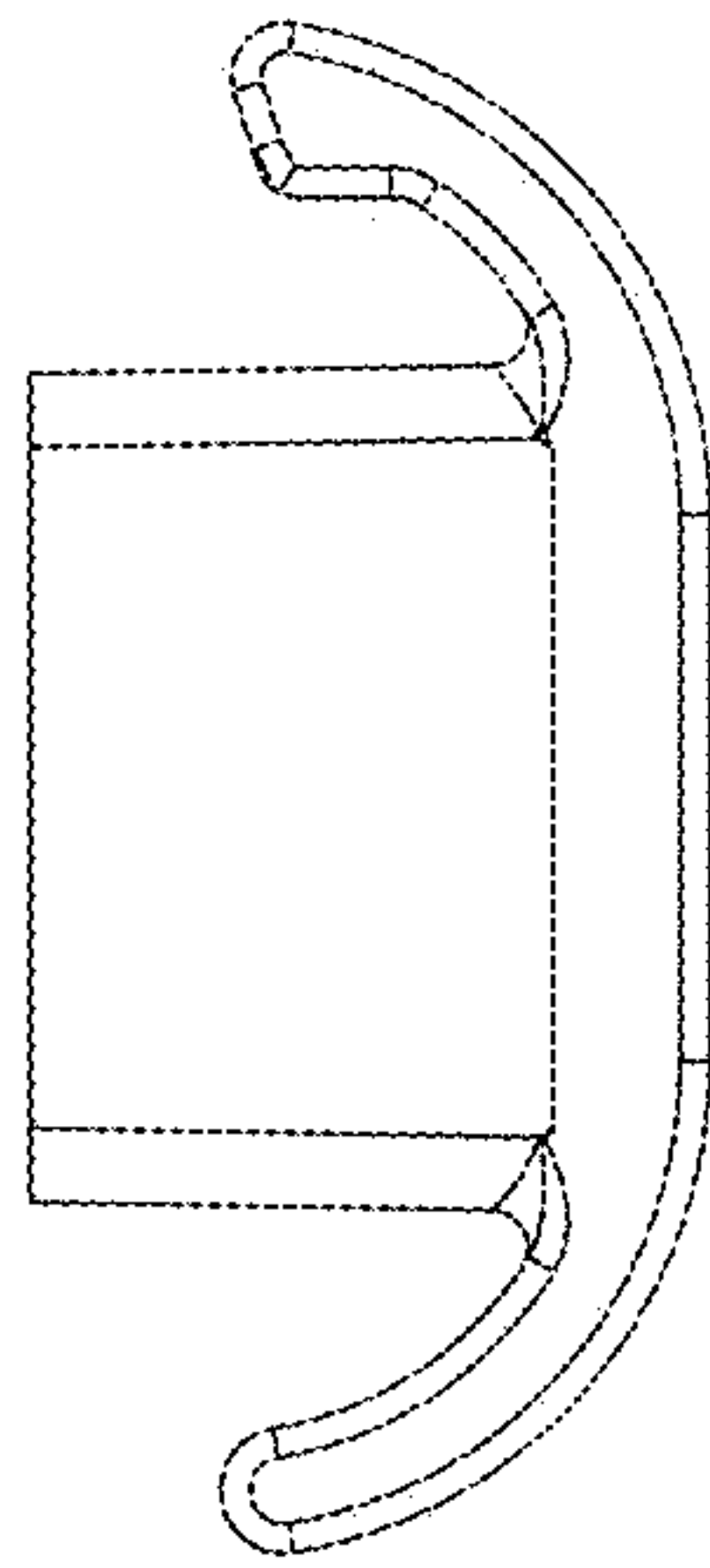


FIG. 3

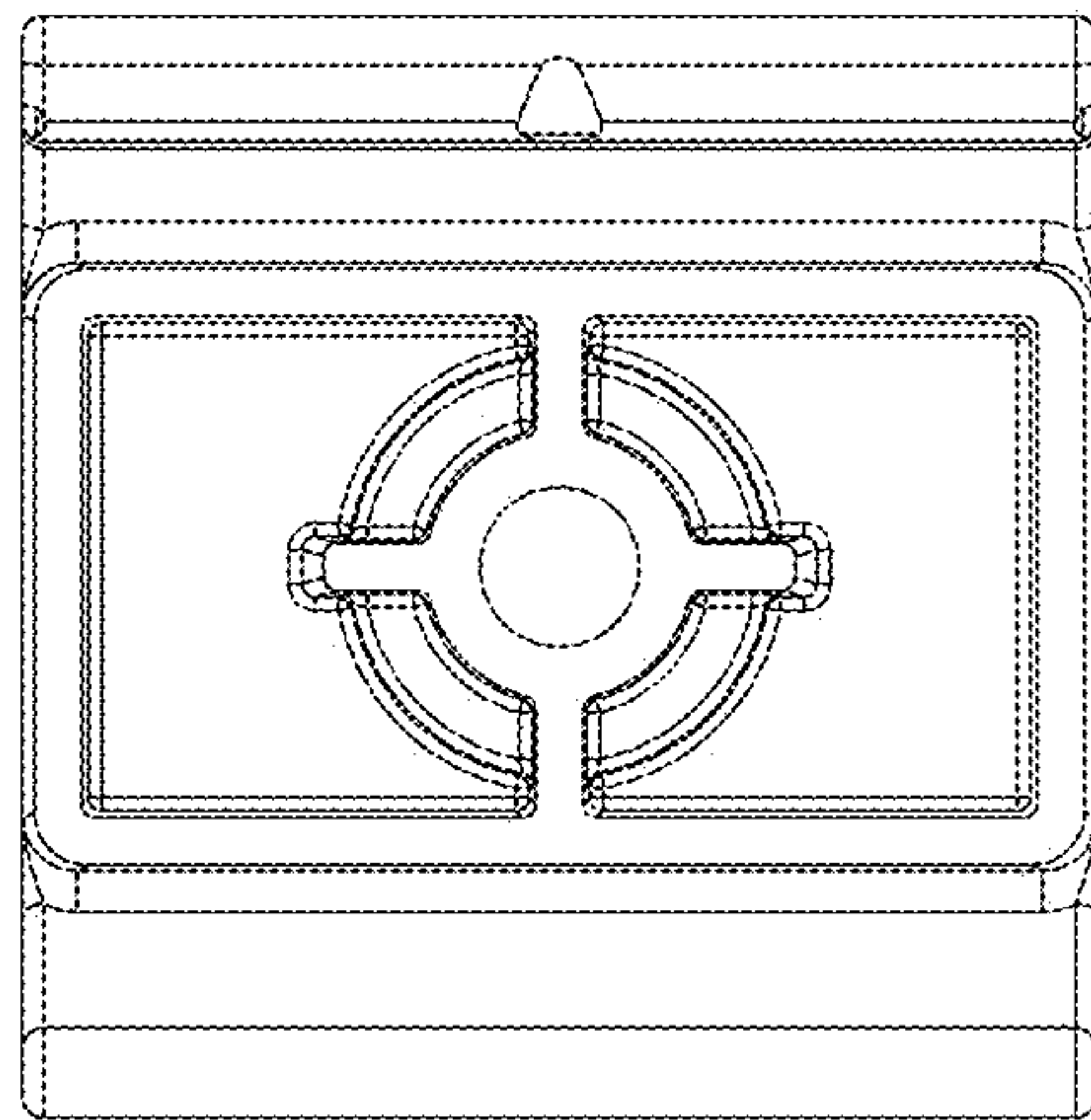


FIG. 4

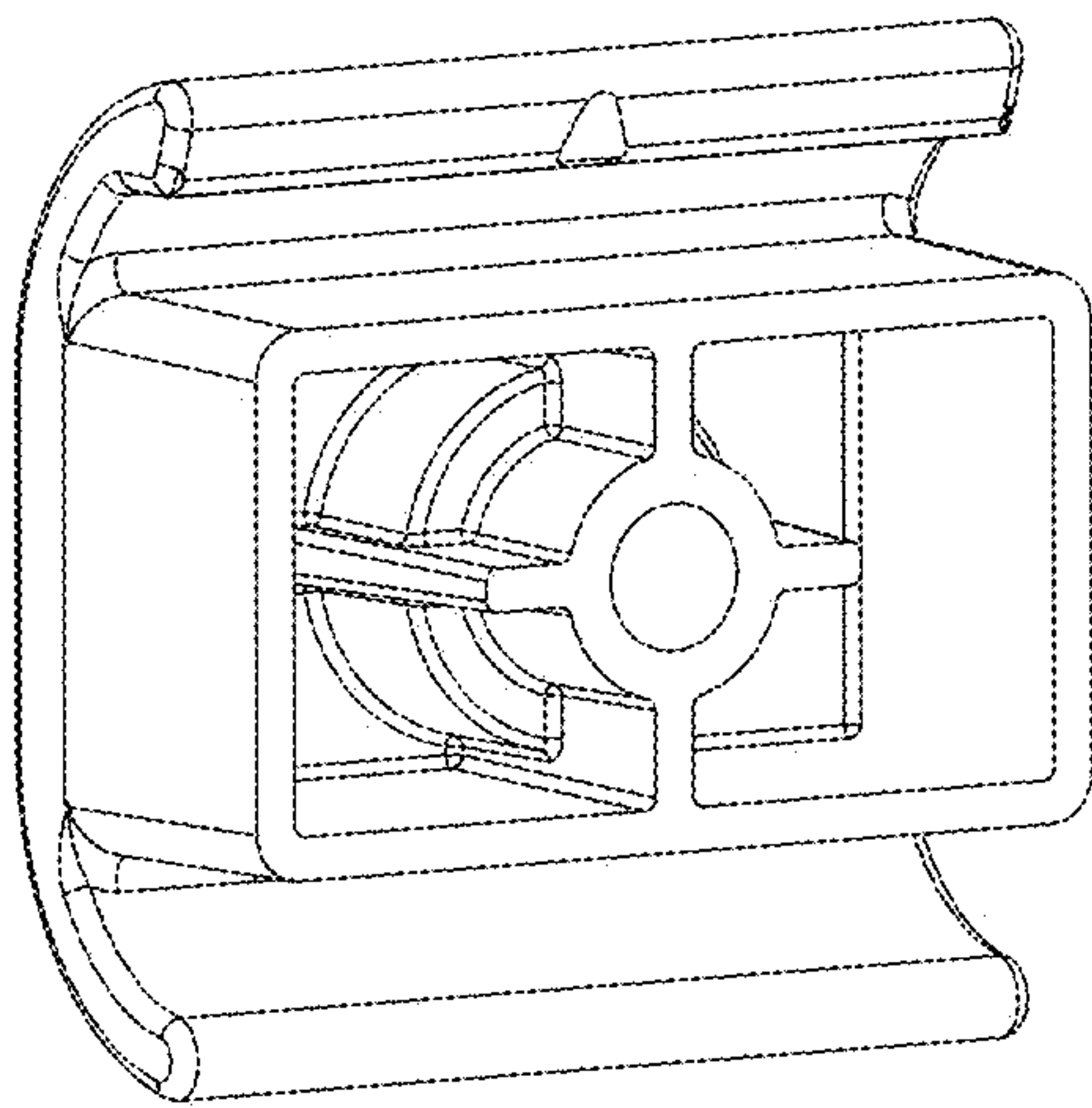


FIG. 5

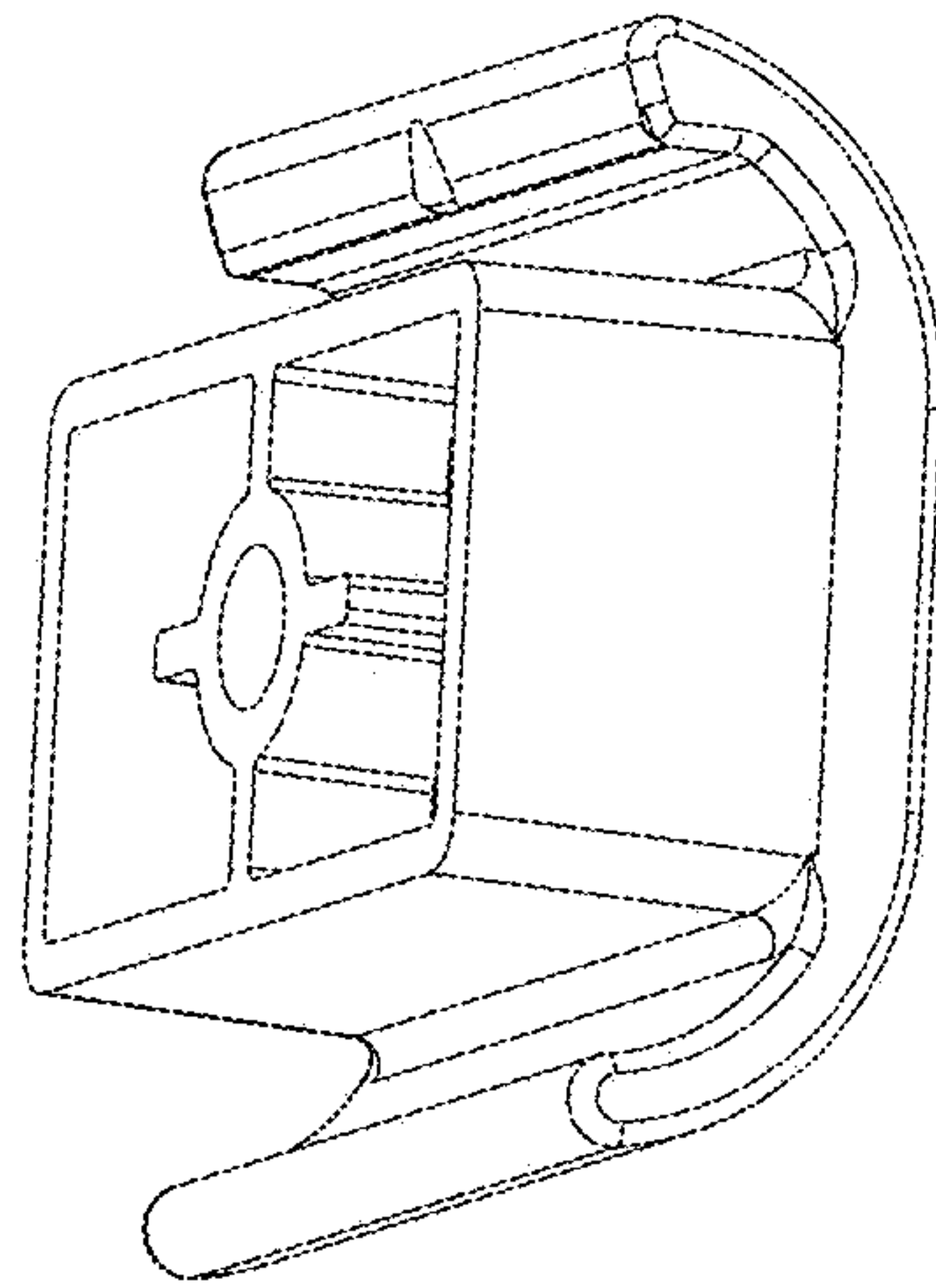


FIG. 6

UNITED STATES PATENT AND TRADEMARK OFFICE  
**CERTIFICATE OF CORRECTION**

PATENT NO. : D976,676 S  
APPLICATION NO. : 29/777085  
DATED : January 31, 2023  
INVENTOR(S) : Sune Schmidt

Page 1 of 1

It is certified that error appears in the above-identified patent and that said Letters Patent is hereby corrected as shown below:

On the Title Page

Column 1, Below Apr. 2, 2021, insert "item (30)" as follows to identify foreign priority:

--(30) Foreign Application Priority Data  
Oct. 6, 2020 (EM) 008175251-0001--

Column 2, "item (74)" delete "Knobbe. Martens. Olson" and insert --Knobbe, Martens, Olson--

Signed and Sealed this  
Thirtieth Day of May, 2023  
*Katherine Kelly Vidal*

Katherine Kelly Vidal  
*Director of the United States Patent and Trademark Office*