



US00D976675S

(12) **United States Design Patent**  
**Cosby et al.**

(10) **Patent No.:** **US D976,675 S**  
(45) **Date of Patent:** **\*\* Jan. 31, 2023**

(54) **STRIKER FOR A LATCH**

(71) Applicant: **D & D Group Pty Ltd**, Frenchs Forest (AU)

(72) Inventors: **Scott Anthony Cosby**, Narraweena (AU); **James Scarlett**, Springwood (AU); **Tom Wilson**, Manly (AU)

(73) Assignee: **D & D Group Pty Ltd**, Frenchs Forest (AU)

(\*\*) Term: **15 Years**

(21) Appl. No.: **29/749,990**

(22) Filed: **Sep. 10, 2020**

(30) **Foreign Application Priority Data**

Sep. 1, 2020 (AU) ..... 202014775

(51) **LOC (14) Cl.** ..... **08-07**

(52) **U.S. Cl.**  
USPC ..... **D8/343; D8/331**

(58) **Field of Classification Search**  
USPC ..... D8/302, 308, 331, 336, 338-339, 341,  
D8/397-399; D23/262, 265

(Continued)

(56) **References Cited**

**U.S. PATENT DOCUMENTS**

6,058,747 A \* 5/2000 Doyle ..... E05B 13/105  
292/135  
7,021,678 B1 \* 4/2006 Raoult ..... A01K 1/0017  
292/341.15

(Continued)

**OTHER PUBLICATIONS**

“National Hardware LokkLatch Automatic Keyed Gate Lock”, Nov. 10, 2016, Amazon.com, site visited Jun. 1, 2022: <https://www.amazon.com/National-Hardware-N346-201-V6201-LokkLatch/dp/B01N030SXM> (Year: 2016).\*

amazon.com/National-Hardware-N346-201-V6201-LokkLatch/dp/B01N030SXM (Year: 2016).\*

(Continued)

*Primary Examiner* — Calvin E Vasant  
*Assistant Examiner* — Michael A Kervin  
(74) *Attorney, Agent, or Firm* — Kelly & Kelley, LLP

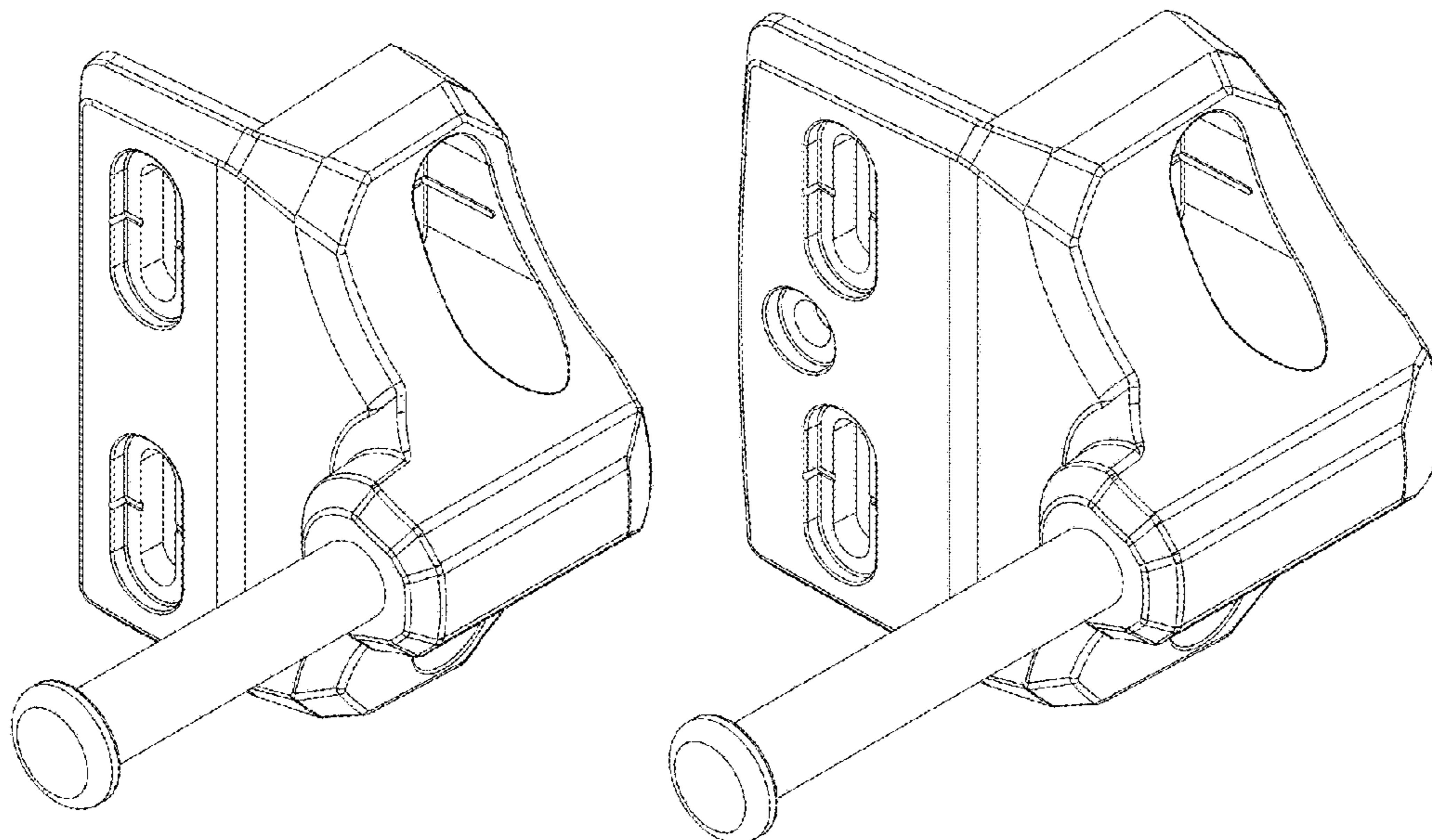
(57) **CLAIM**

The ornamental design for a striker for a latch, as shown and described.

**DESCRIPTION**

FIG. 1 is a perspective view of a striker for a latch, according to a first embodiment;  
FIG. 2 is an opposite perspective view of the striker for a latch of FIG. 1;  
FIG. 3 is a top view of the striker for a latch of FIG. 1;  
FIG. 4 is a side view of the striker for a latch of FIG. 1;  
FIG. 5 is an opposite side view of the striker for a latch of FIG. 1;  
FIG. 6 is a front view of the striker for a latch of FIG. 1;  
FIG. 7 is a bottom view of the striker for a latch of FIG. 1;  
FIG. 8 is a perspective view of a striker for a latch, according to a second embodiment;  
FIG. 9 is an opposite perspective view of the striker for a latch of FIG. 8;  
FIG. 10 is a top view of the striker for a latch of FIG. 8;  
FIG. 11 is a side view of the striker for a latch of FIG. 8;  
FIG. 12 is an opposite side view of the striker for a latch of FIG. 8;  
FIG. 13 is a front view of of the striker for a latch of FIG. 8; and,  
FIG. 14 is a bottom view of the striker for a latch of FIG. 8. The broken line showing of a striker for a latch is for the purpose of illustrating portions of the article and forms no part of the claimed design.

**1 Claim, 14 Drawing Sheets**



(58) **Field of Classification Search**  
 CPC ..... E05B 65/0007; E05B 15/0093  
 See application file for complete search history.

(56) **References Cited**

U.S. PATENT DOCUMENTS

7,201,030	B2 *	4/2007	Timothy	.....	E05B 65/0007	70/135
D563,201	S *	3/2008	Antkowiak	.....	D8/343	
D567,066	S *	4/2008	Antkowiak	.....	D8/343	
D601,403	S *	10/2009	Cosby	.....	D8/339	
D605,493	S *	12/2009	Tejszerski	.....	D8/339	
8,127,578	B2 *	3/2012	Karcz	.....	E05B 65/0007	292/216
8,308,205	B2 *	11/2012	Tejszerski	.....	E05C 3/145	292/237
8,636,308	B2 *	1/2014	Calamia, III	.....	E05C 3/24	292/225
8,966,947	B2 *	3/2015	Karcz	.....	E05B 57/00	292/216
D737,656	S *	9/2015	Macernis	.....	D8/343	
9,476,228	B2 *	10/2016	Karcz	.....	E05C 3/24	
10,000,944	B2 *	6/2018	Cavallaro, Jr.	.....	E05C 3/12	
10,082,544	B2 *	9/2018	Smith	.....	E05C 19/168	

D915,177	S *	4/2021	Scarlett	.....	D8/331	
11,346,130	B1 *	5/2022	Timothy	.....	E05C 3/006	
2006/0101876	A1 *	5/2006	Timothy	.....	E05B 65/0007	70/101
2007/0175249	A1 *	8/2007	Karcz	.....	E05B 65/0007	70/101
2007/0175250	A1 *	8/2007	Karcz	.....	E05C 3/30	70/101
2010/0032966	A1 *	2/2010	Taglianetti	.....	E05B 65/0014	292/216
2010/0033279	A1 *	2/2010	Clark	.....	H01F 7/0252	335/285
2010/0045055	A1 *	2/2010	Taglianetti	.....	E05B 1/0015	292/341.15
2010/0123321	A1 *	5/2010	Timothy	.....	E05C 3/30	70/91
2021/0301555	A1 *	9/2021	Cosby	.....	E05B 9/08	

OTHER PUBLICATIONS

“D&D Technologies LL3PWA LokkLatch Plus”, Jul. 31, 2019, Amazon.com, site visited Jun. 1, 2022: <https://www.amazon.com/Technologies-LOKKLATCH-Adjustable-Vertical-Horizontal/dp/B07VWL4PTY> (Year: 2019).\*

\* cited by examiner

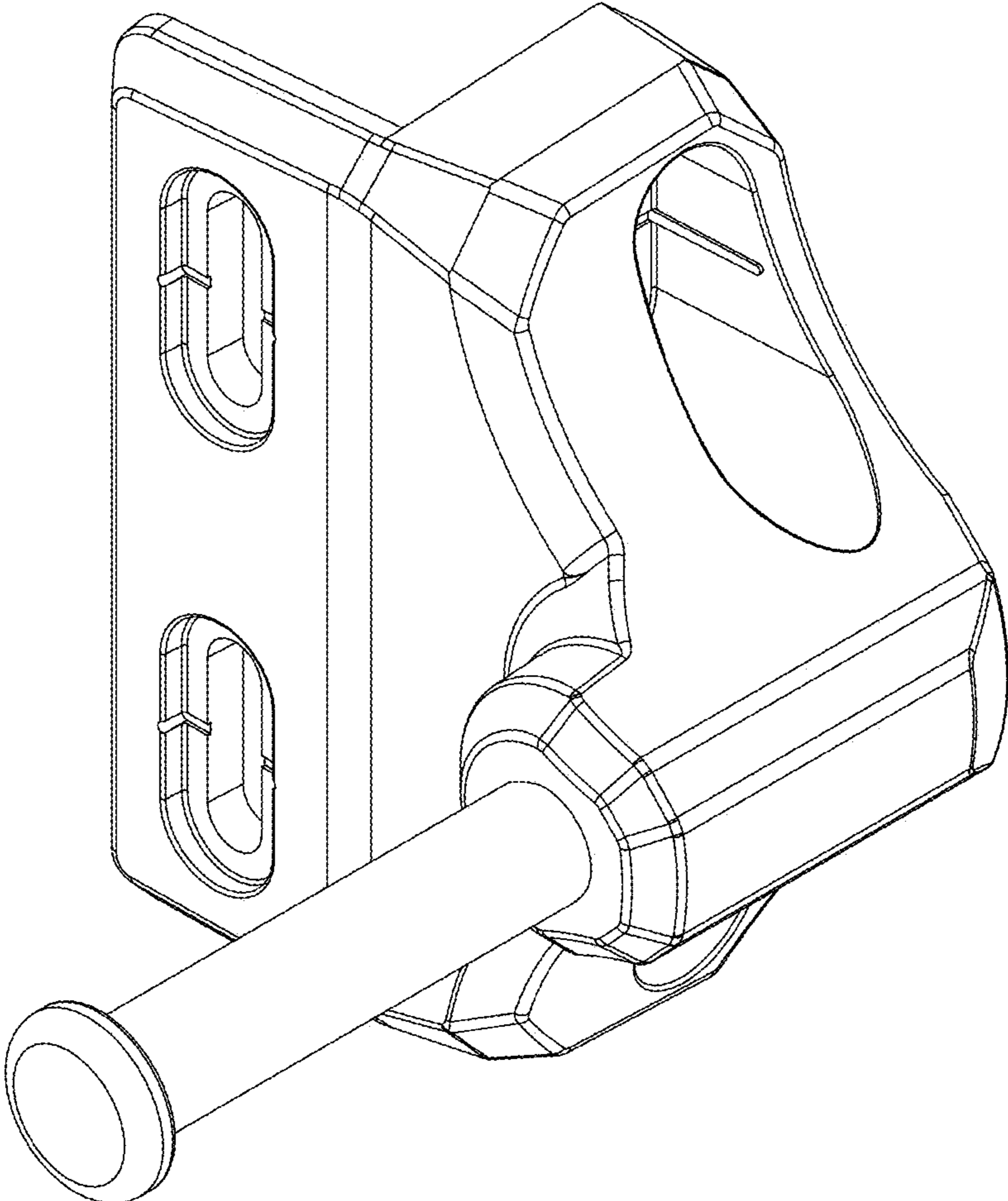


Fig. 1

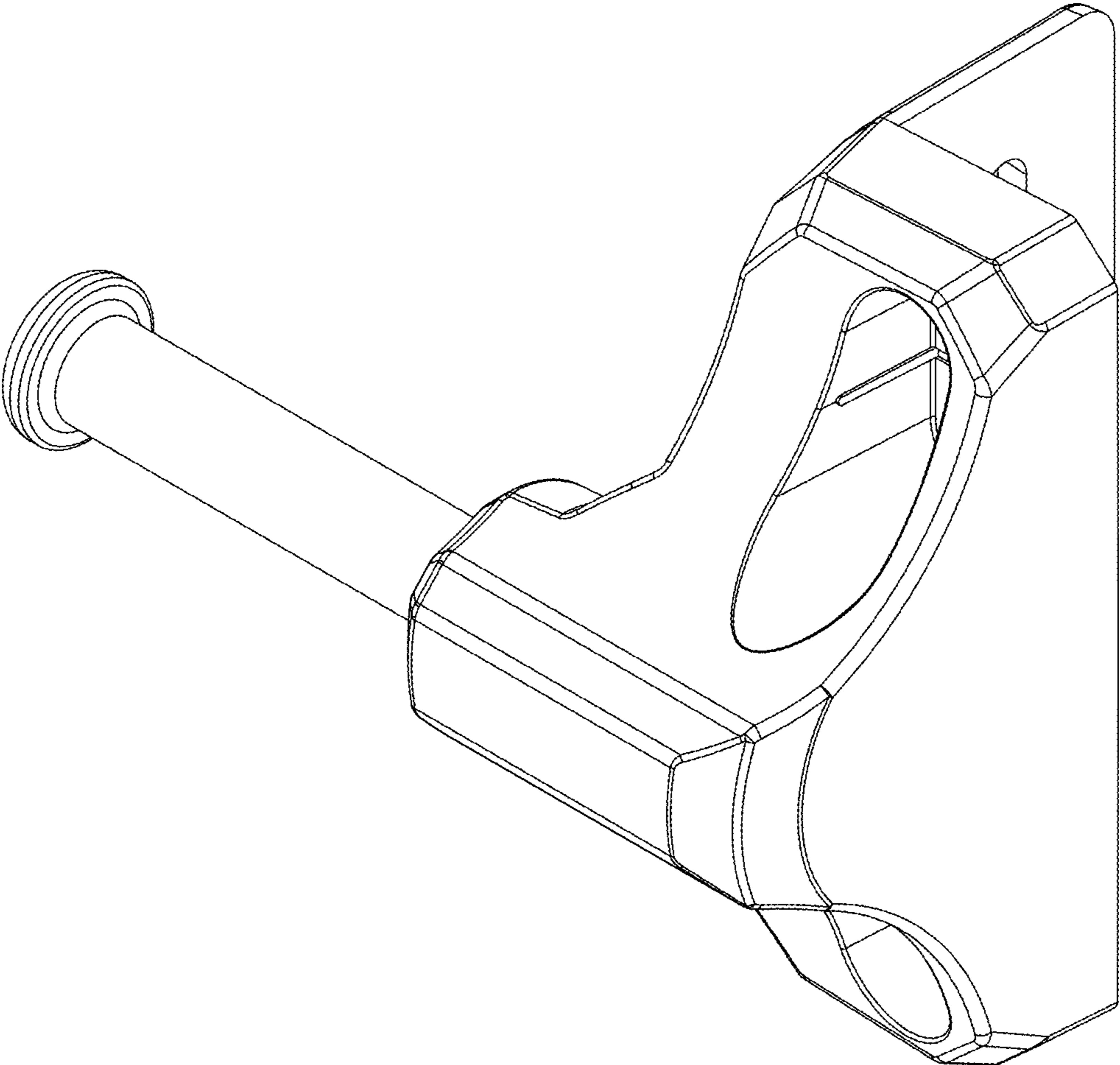


Fig. 2



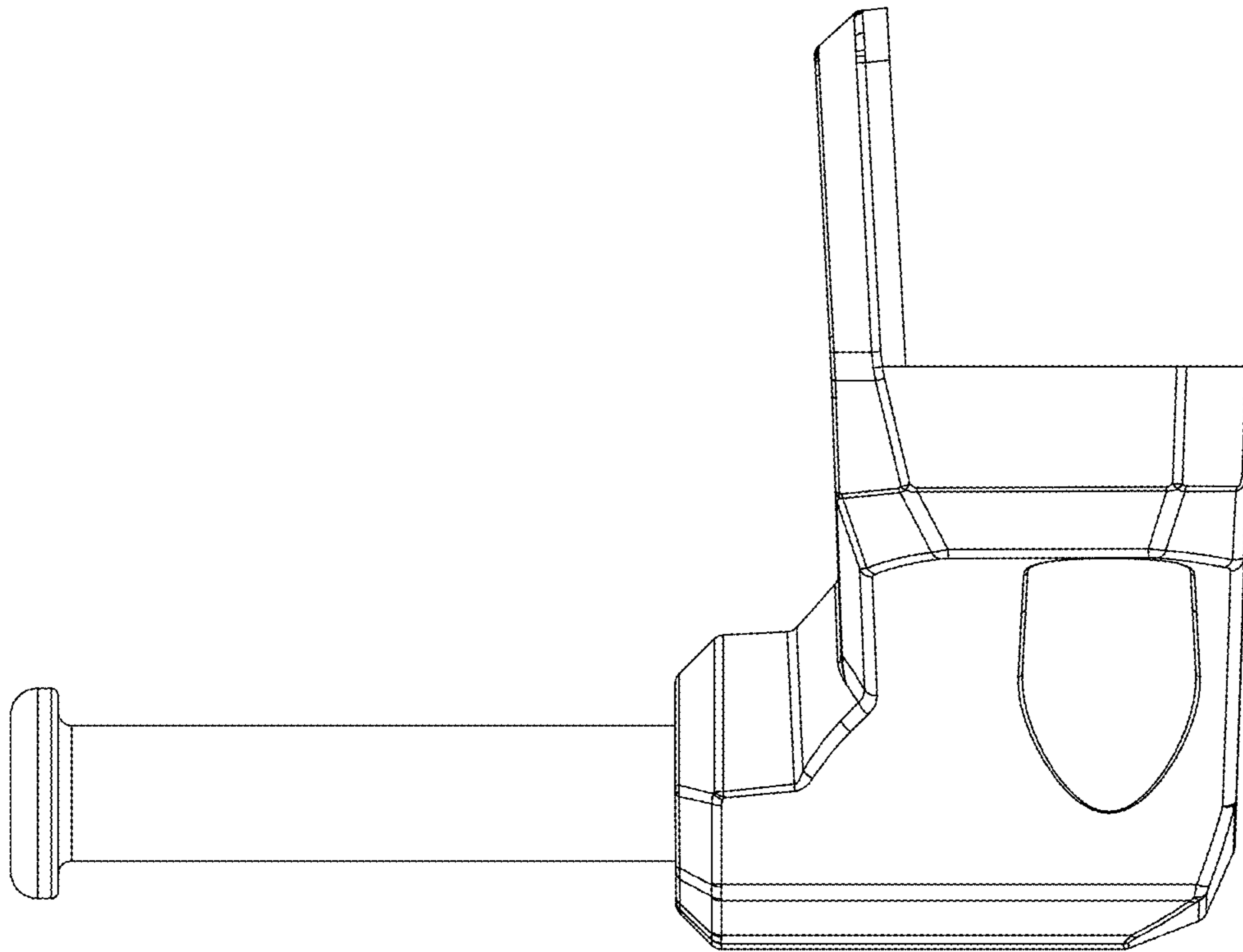


Fig. 3

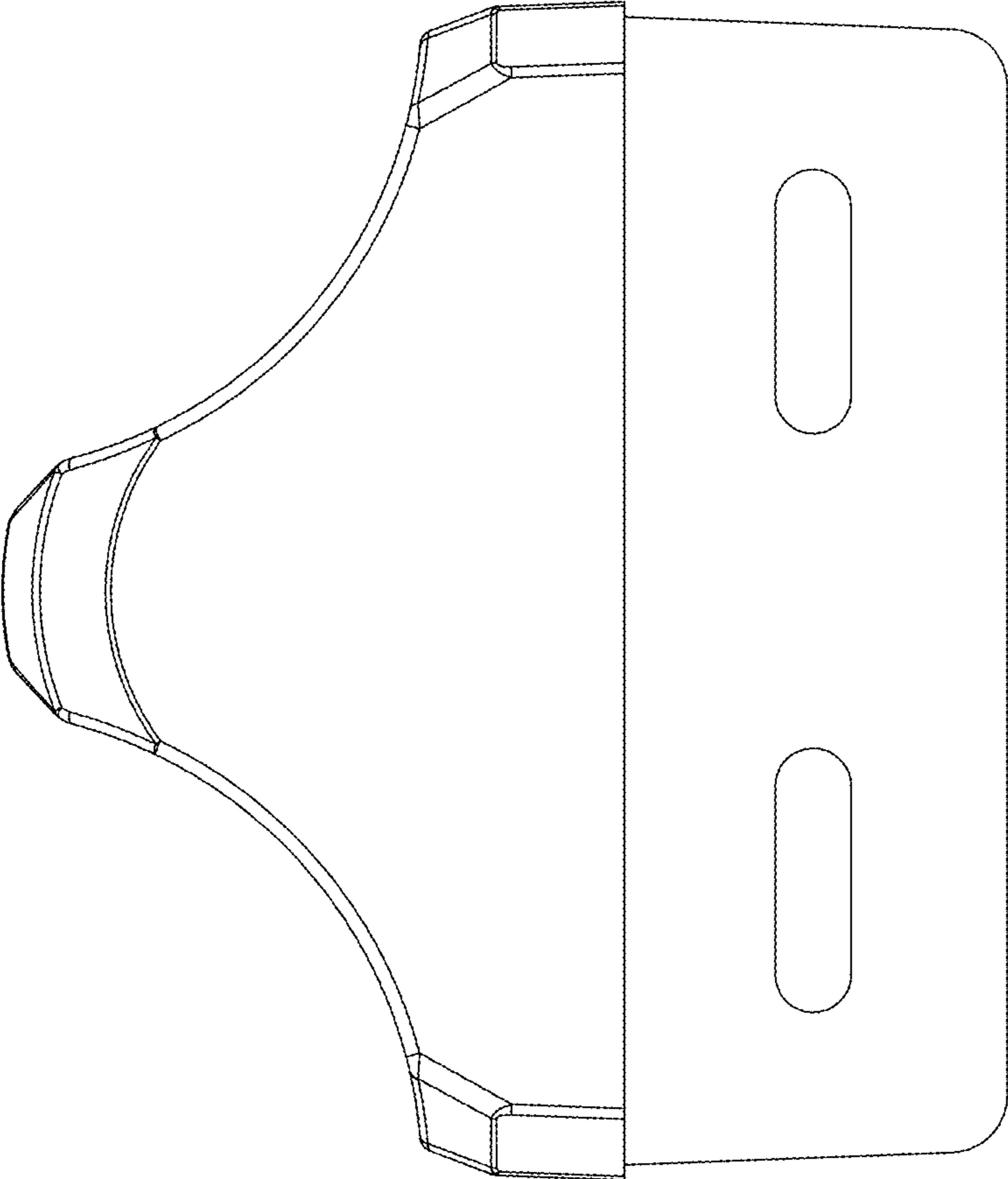


Fig. 4

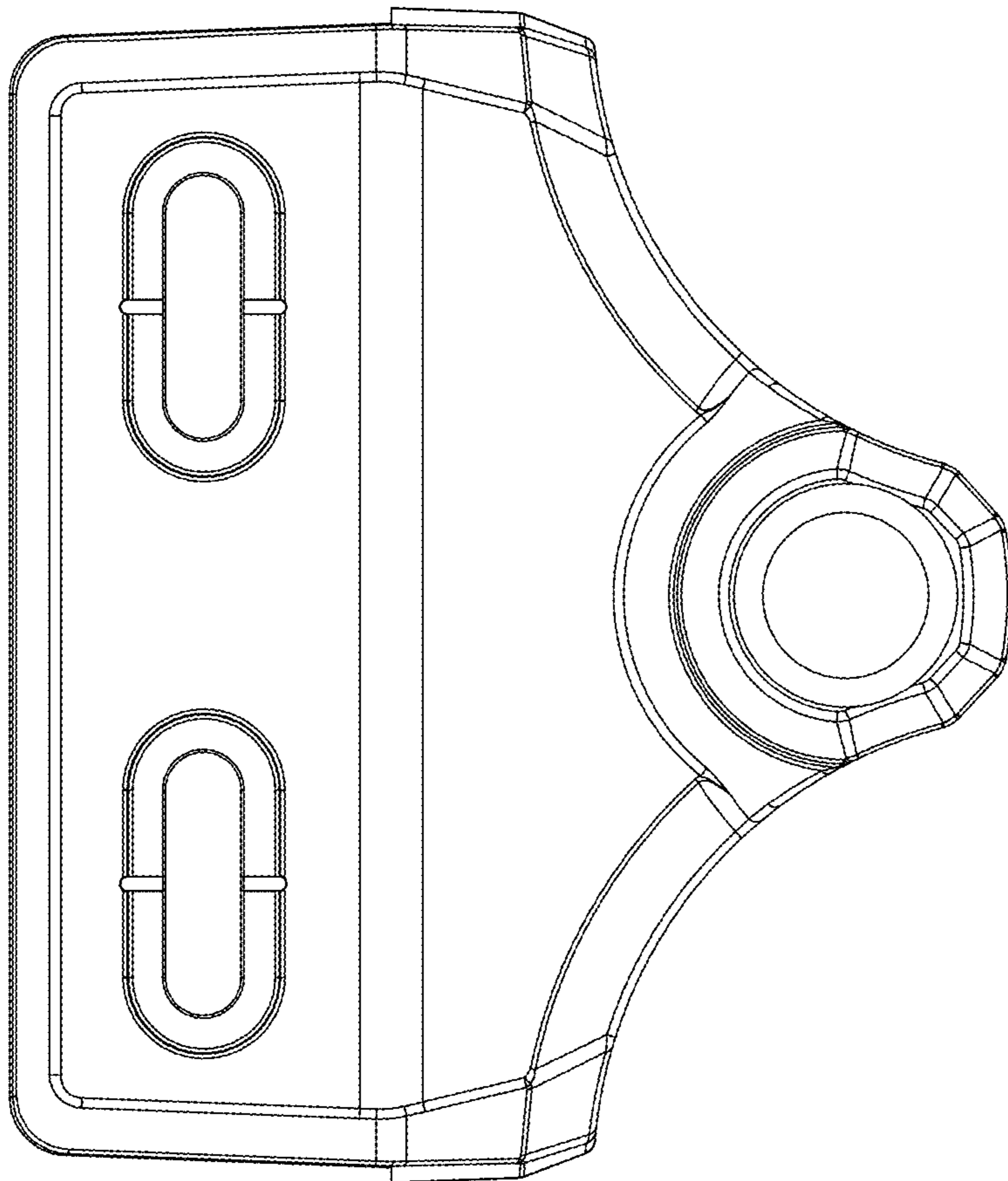


Fig. 5

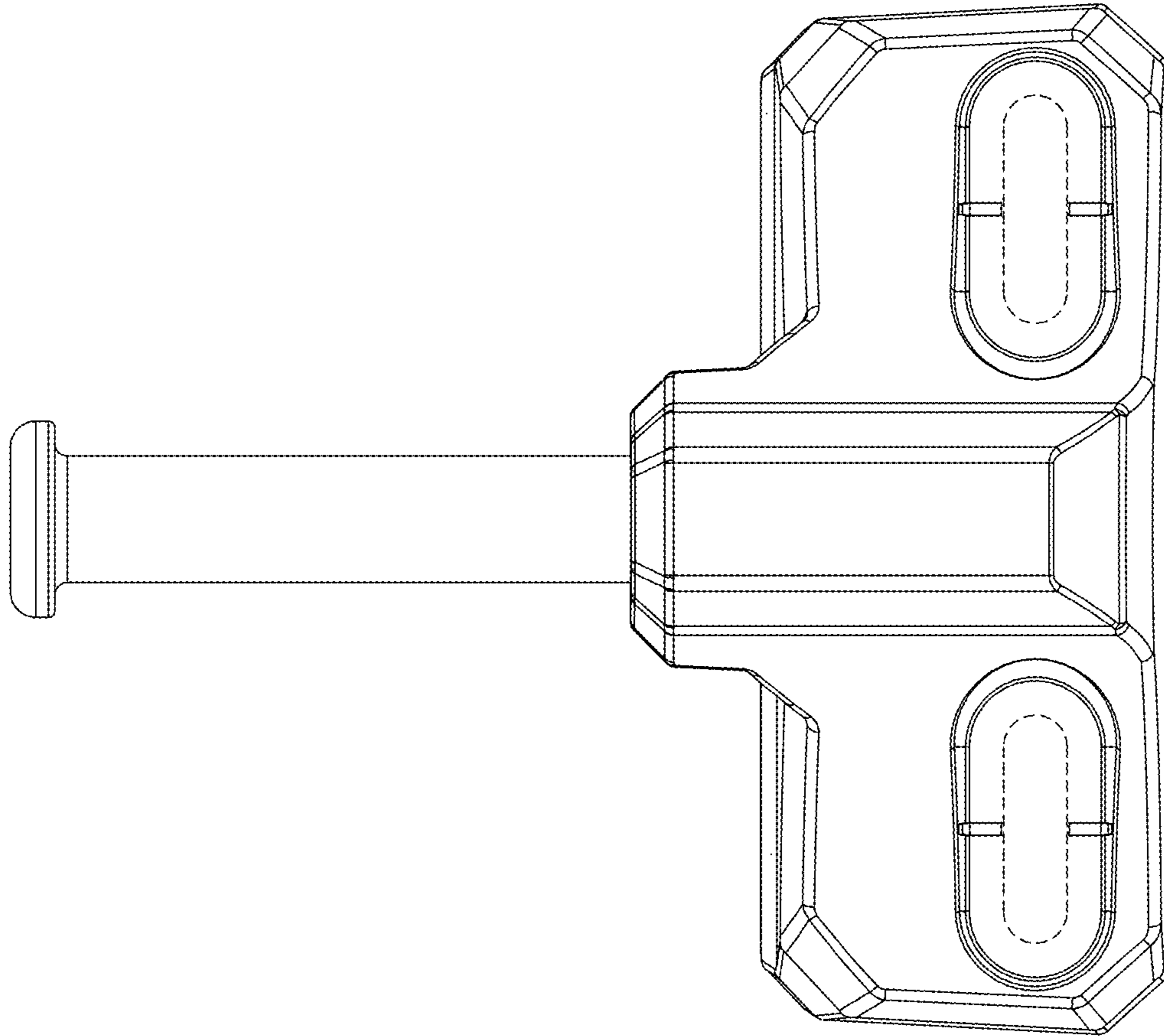


Fig. 6



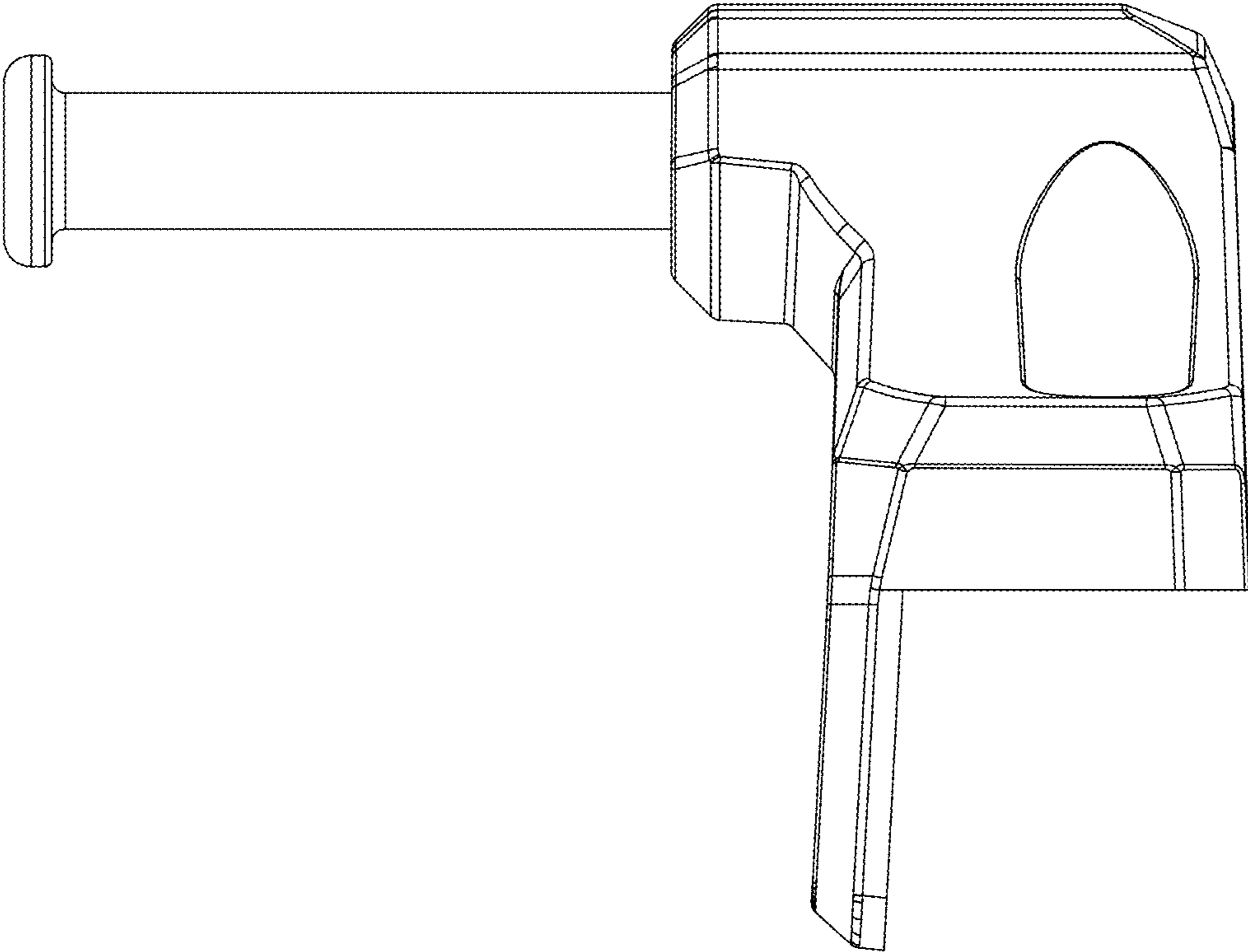


Fig. 7

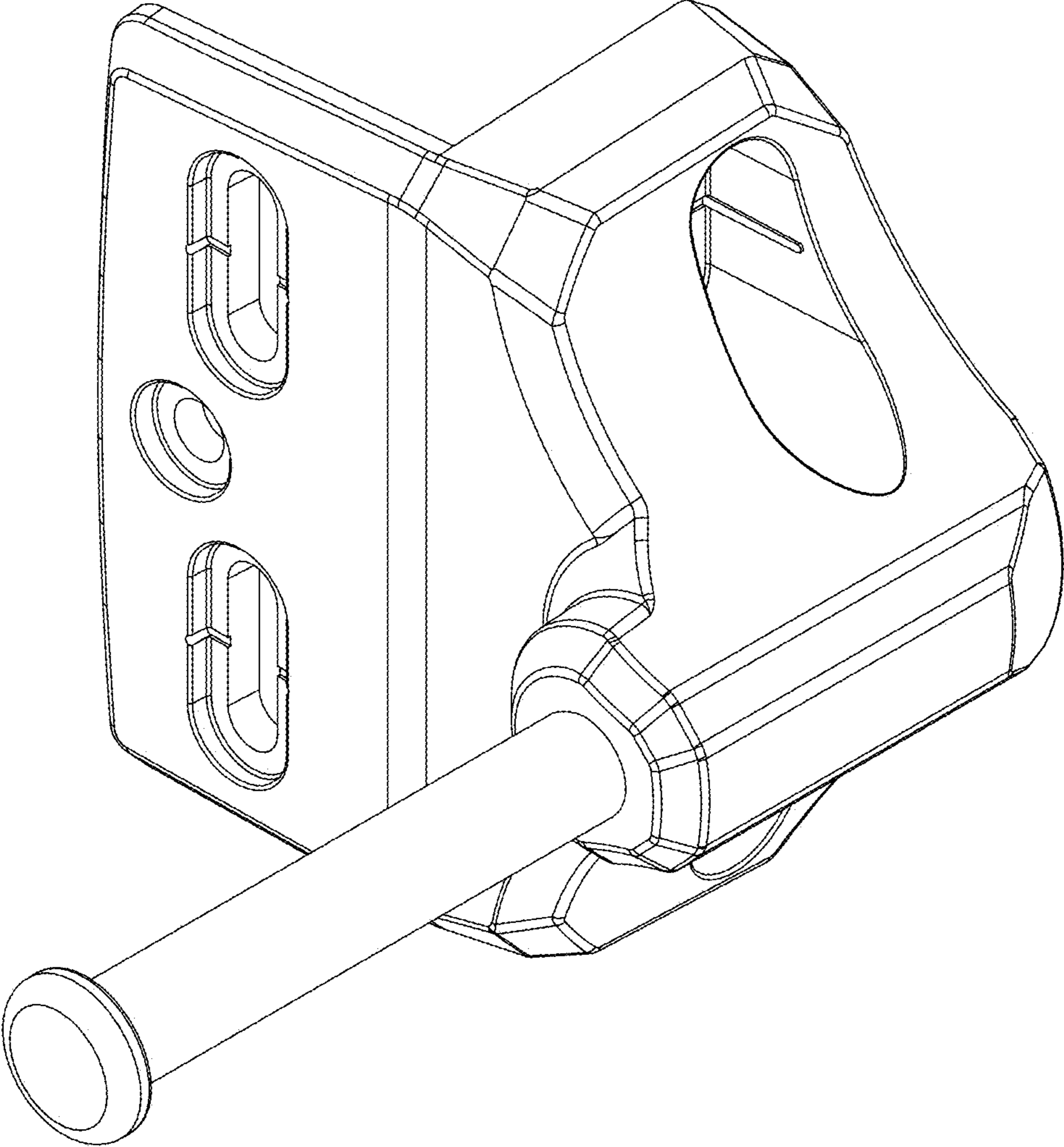


Fig. 8

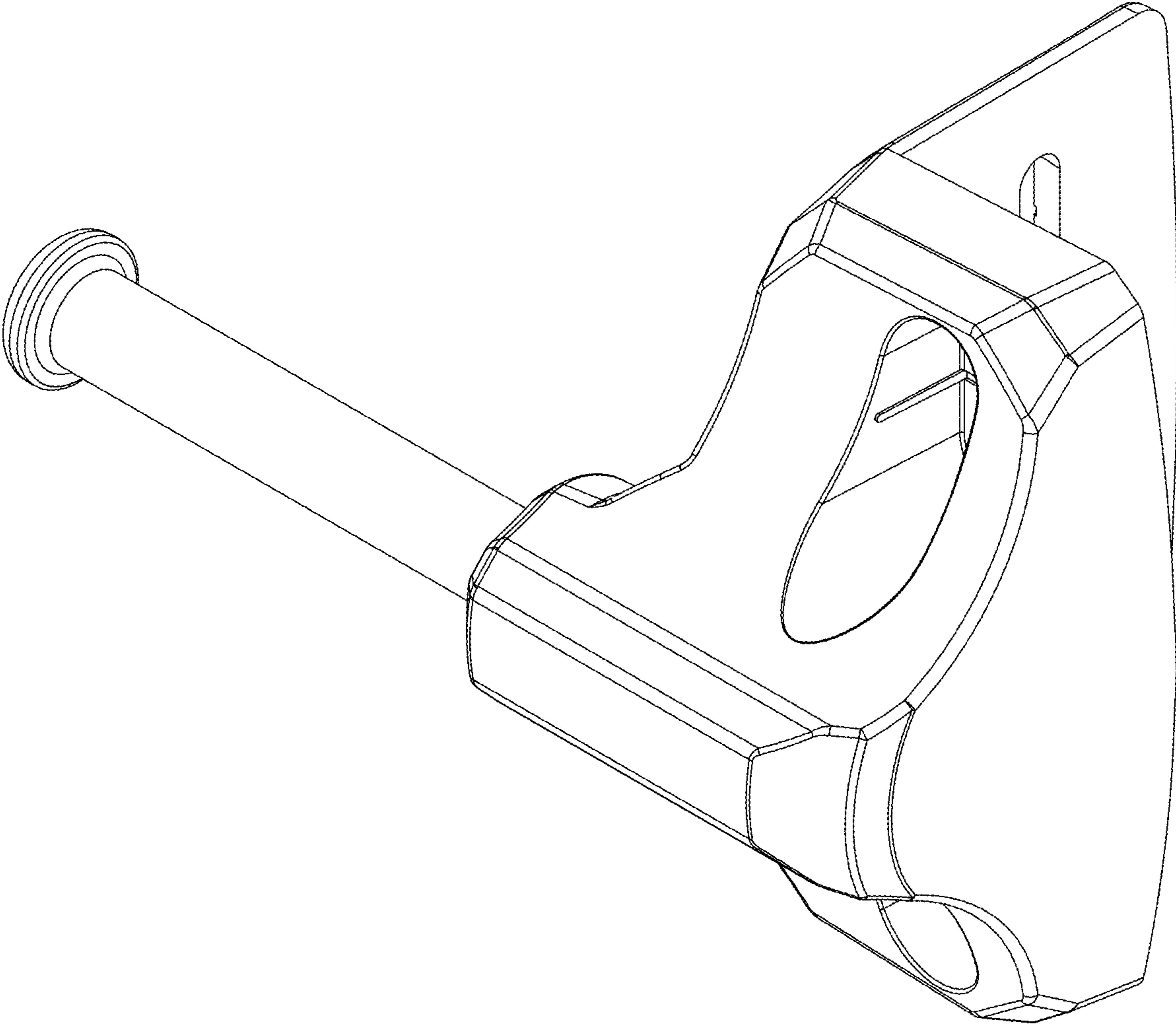


Fig. 9

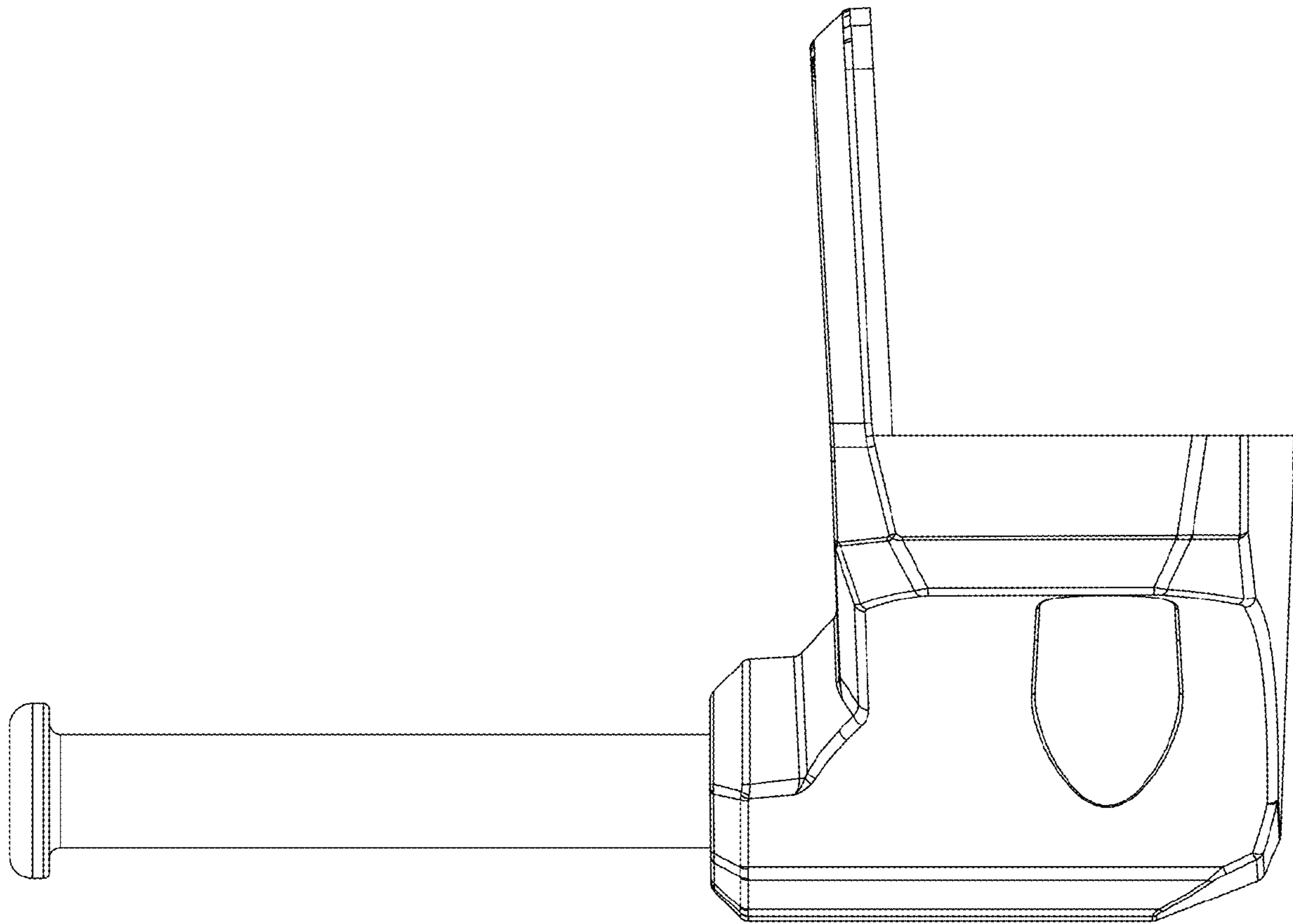


Fig. 10

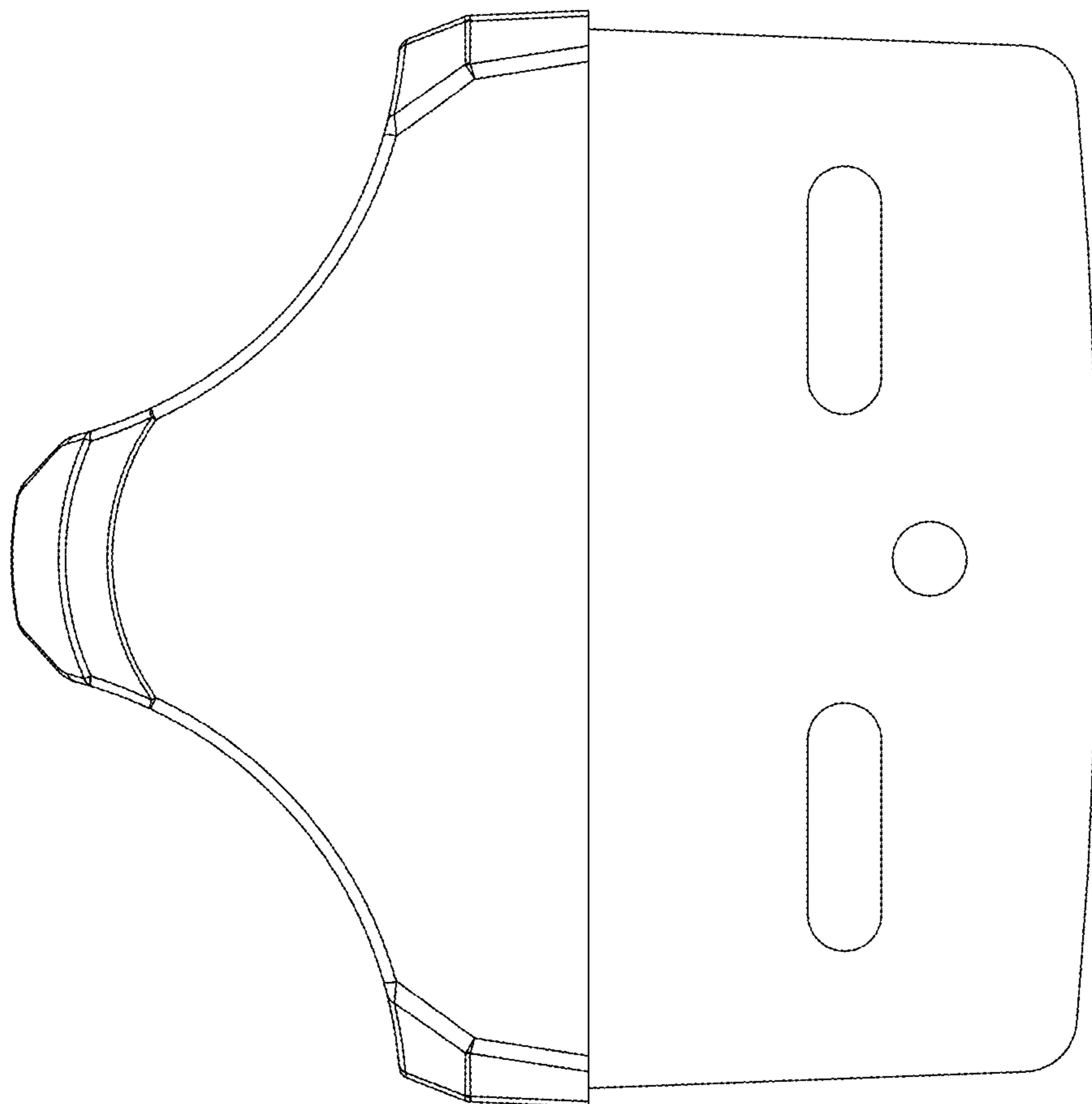


Fig. 11



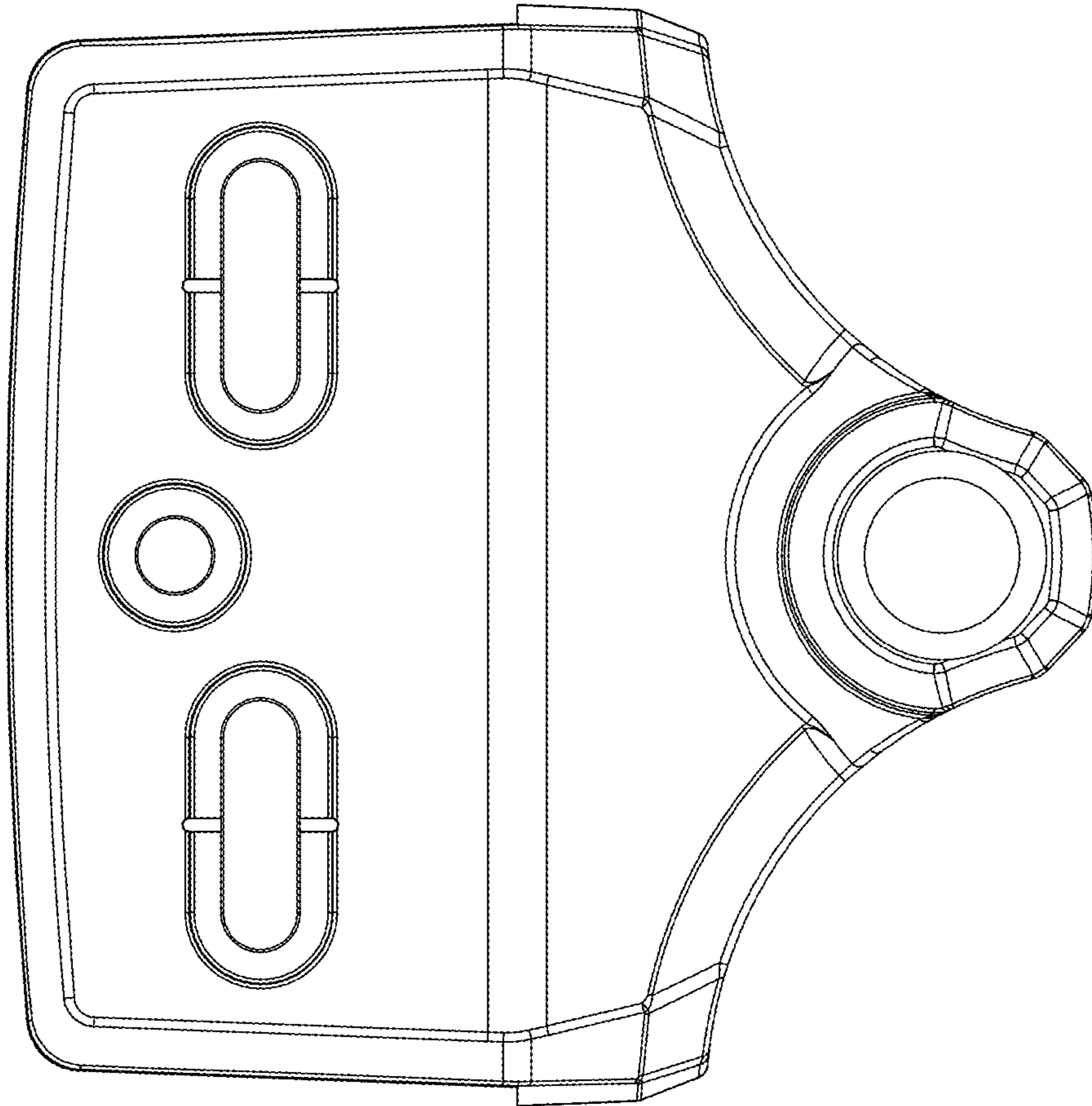


Fig. 12

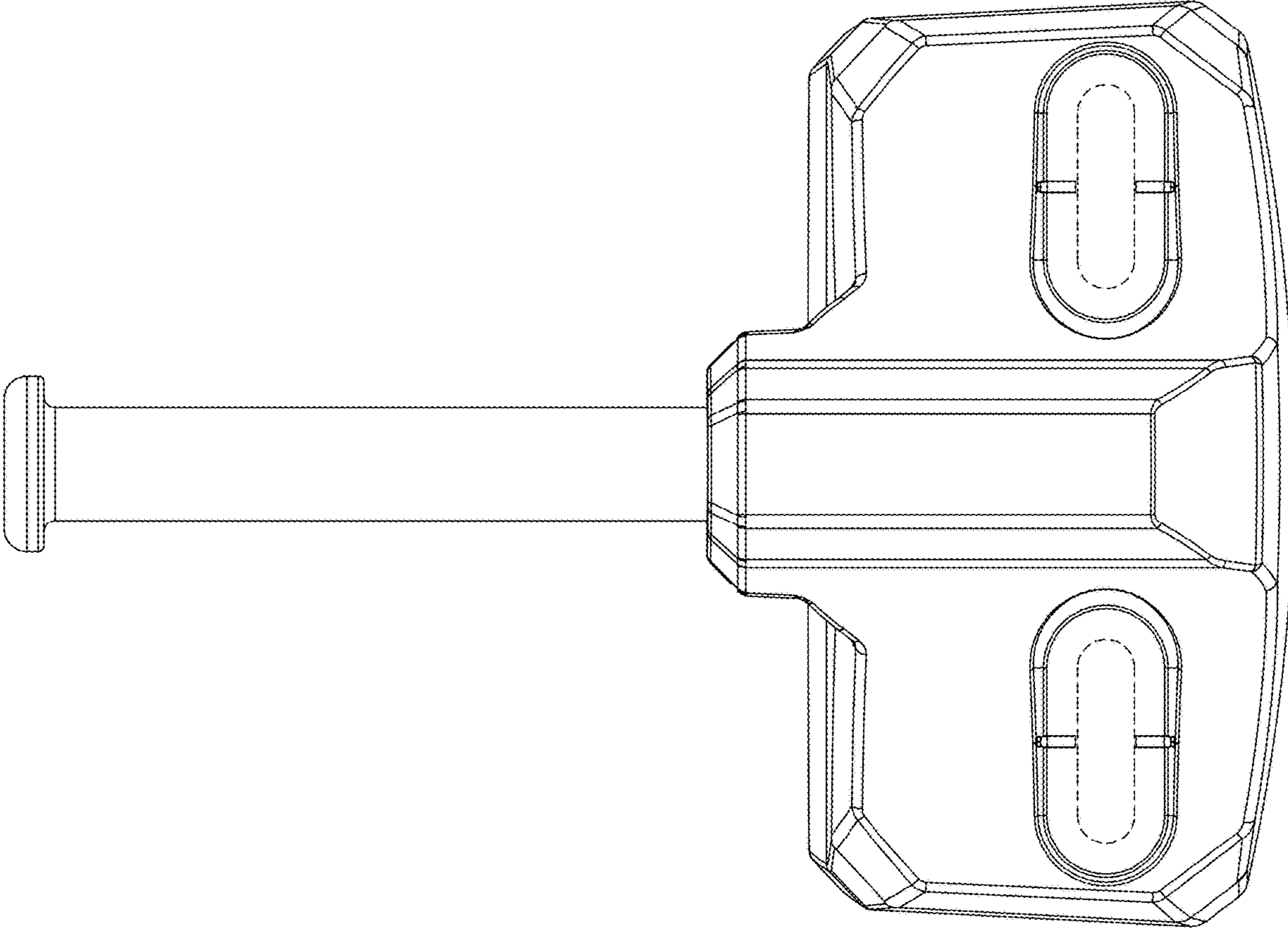


Fig. 13

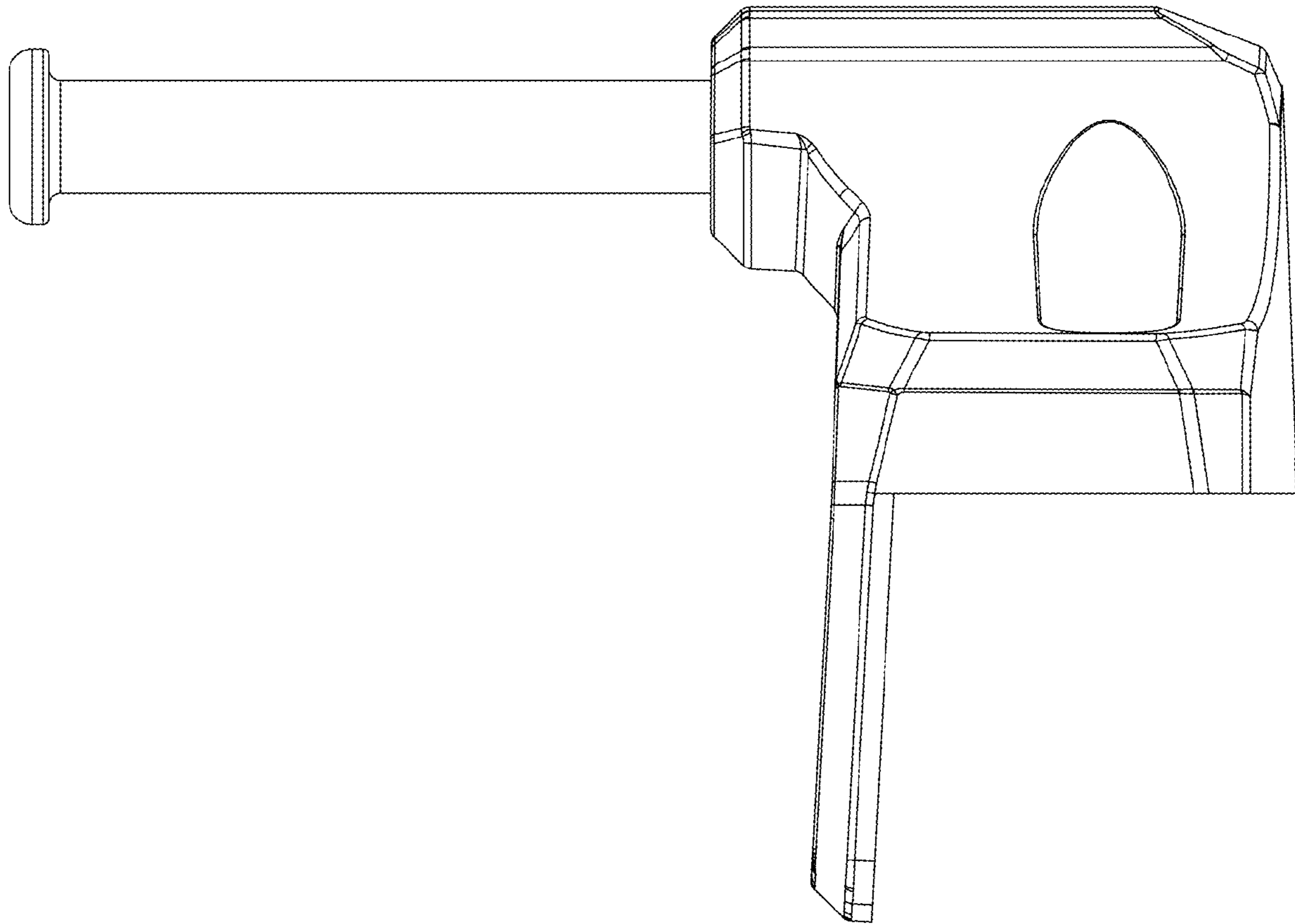


Fig. 14