



US00D976674S

(12) **United States Design Patent**
Odisho

(10) **Patent No.:** **US D976,674 S**

(45) **Date of Patent:** **** Jan. 31, 2023**

(54) **LOCK BODY**

(71) Applicant: **Safety Eats LLC**, Lincolnwood, IL (US)

(72) Inventor: **Edward Odisho**, Lincolnwood, IL (US)

(**) Term: **15 Years**

(21) Appl. No.: **29/732,180**

(22) Filed: **Apr. 22, 2020**

(51) **LOC (14) Cl.** **08-07**

(52) **U.S. Cl.**
USPC **D8/333**

(58) **Field of Classification Search**
USPC D8/333
CPC E05B 67/00; E05B 67/06; E05B 67/22;
Y10T 70/413; Y10T 70/422; Y10T 70/428; Y10T 70/433; Y10T 70/437
See application file for complete search history.

(56) **References Cited**

U.S. PATENT DOCUMENTS

D566,521 S *	4/2008	Rohde	D8/333
D615,842 S *	5/2010	Freeman	D8/333
9,556,651 B1 *	1/2017	Cabral Herrera	E05B 67/22
2005/0262903 A1 *	12/2005	Ling	E05B 37/0034 70/284

* cited by examiner

Primary Examiner — Doris Clark

(74) *Attorney, Agent, or Firm* — Au LLC; Adam E. Urbanczyk

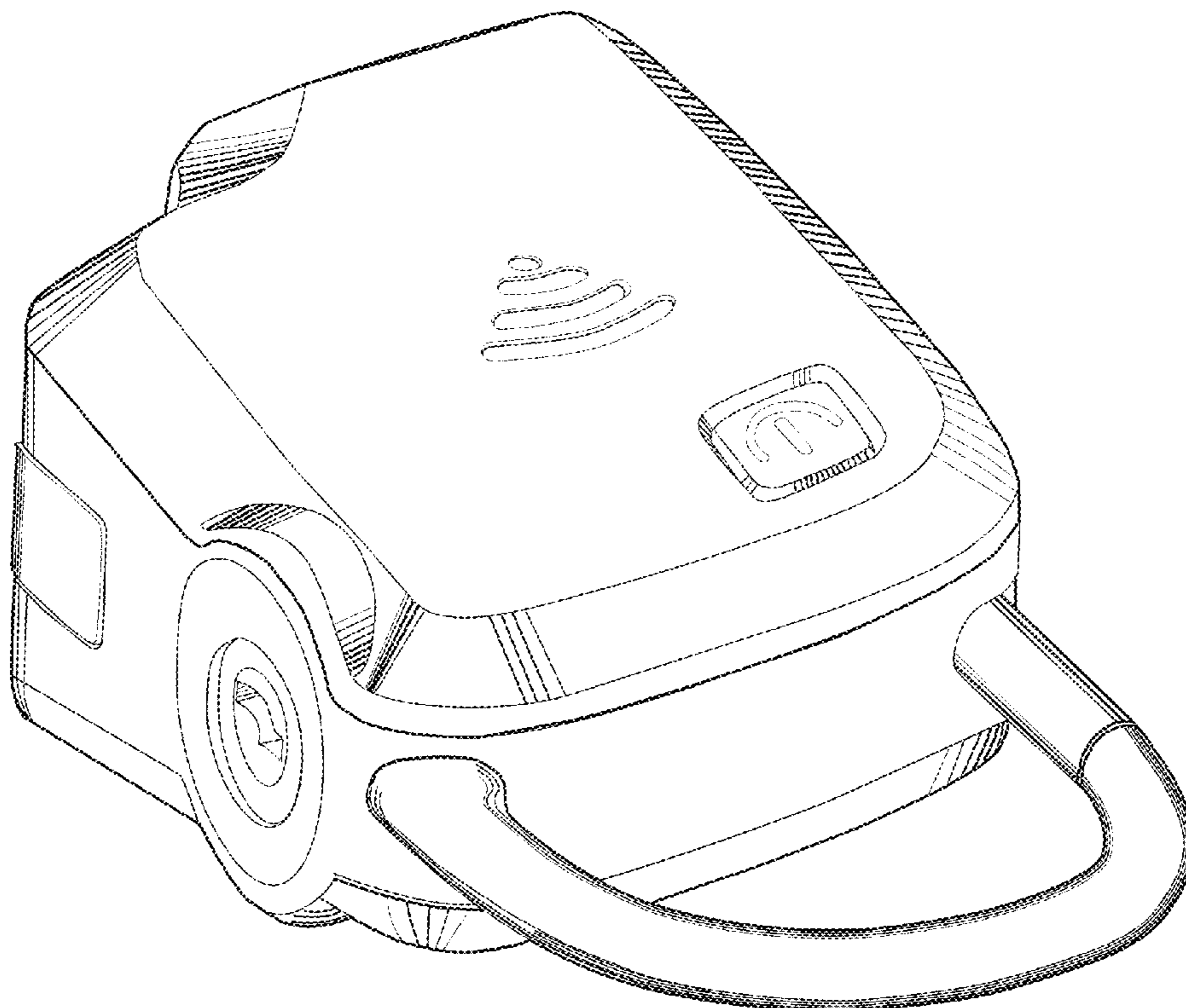
(57) **CLAIM**

The ornamental design for a lock body, as shown and described.

DESCRIPTION

FIG. 1 is a perspective view of a lock body in accordance with the present invention;
 FIG. 2 is a rear side view thereof;
 FIG. 3 is a front side view thereof;
 FIG. 4 is a top view thereof;
 FIG. 5 is a bottom view thereof;
 FIG. 6 is a right side view thereof;
 FIG. 7 is a left side view thereof;
 FIG. 8 is perspective view of another embodiment of a lock body in accordance with the present invention;
 FIG. 9 is a rear side view of the lock body in FIG. 8;
 FIG. 10 is a front side view of the lock body in FIG. 8;
 FIG. 11 is a top view of the lock body in FIG. 8;
 FIG. 12 is a bottom view of the lock body in FIG. 8;
 FIG. 13 is a right side view of the lock body in FIG. 8; and,
 FIG. 14 is a left side view of the lock body in FIG. 8.
 The broken lines, within the claimed design, in embodiment 2 which depict a semicircular shape and a linear shape are superimposed on a continuous front surface and are for illustrative purposes only. The broken lines, within the claimed design, in embodiment 2 which depict arcuate and point shapes are superimposed on a continuous front surface and are for illustrative purposes only.

1 Claim, 14 Drawing Sheets



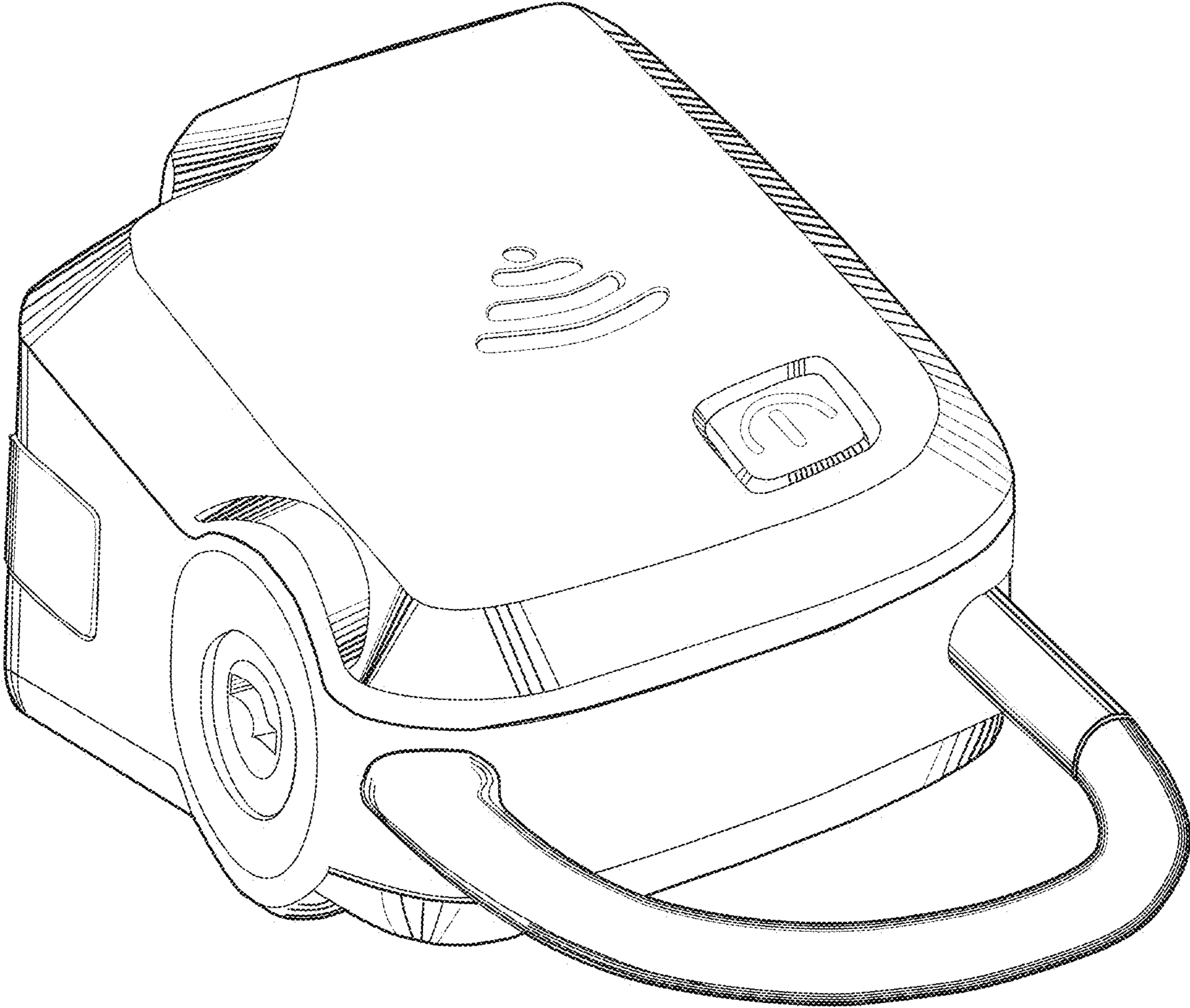


FIG. 1

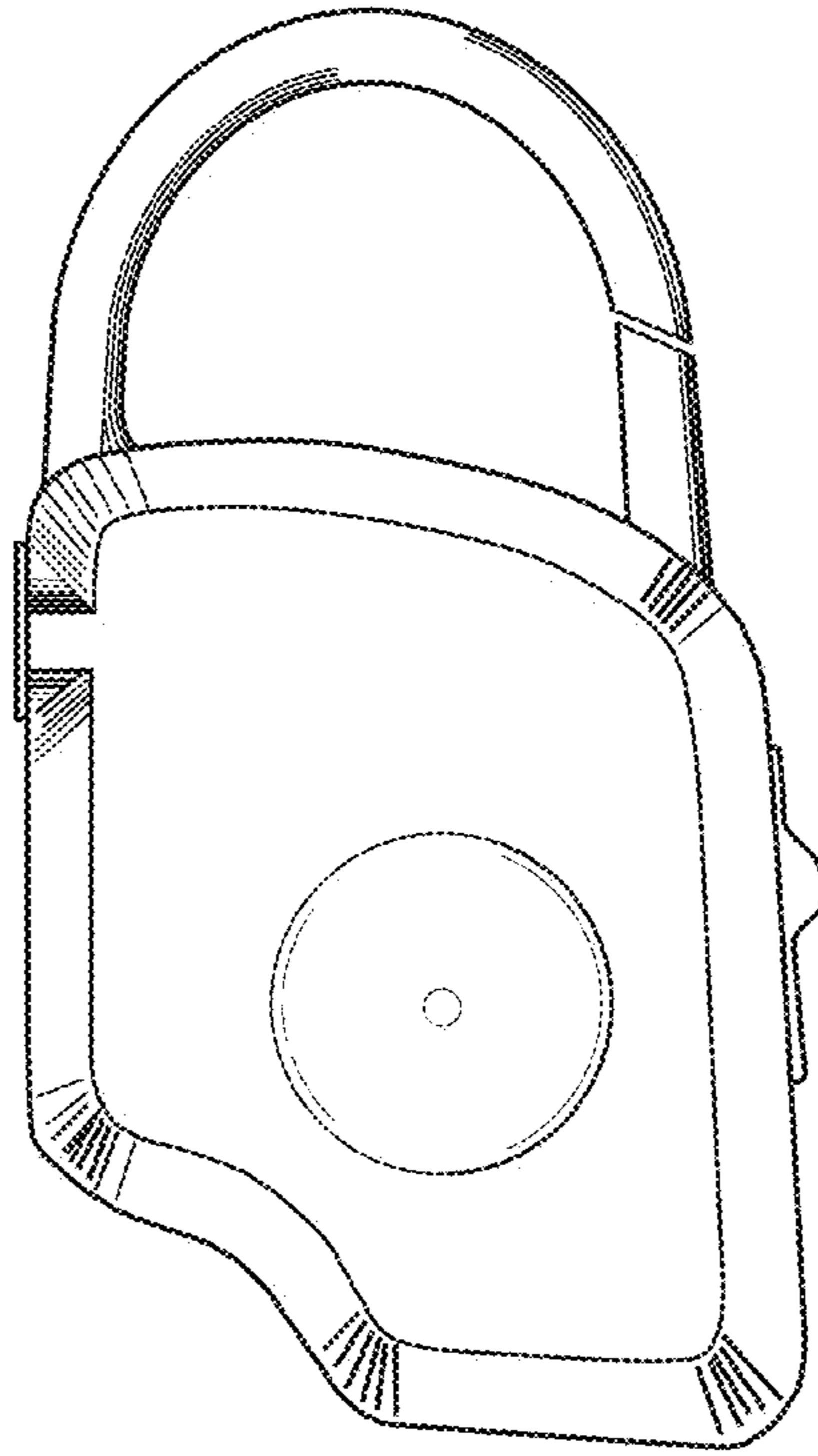


FIG. 2

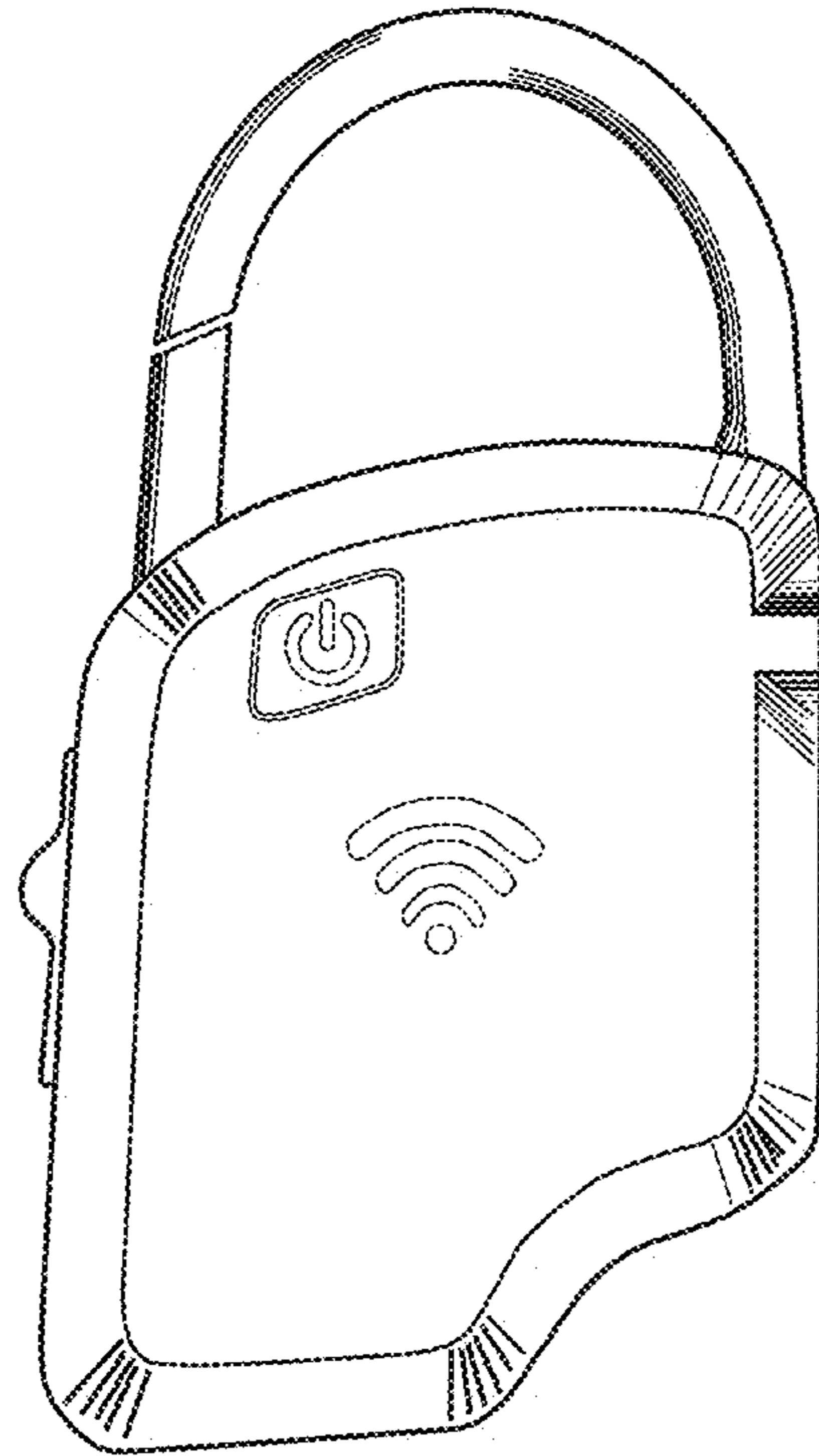


FIG. 3

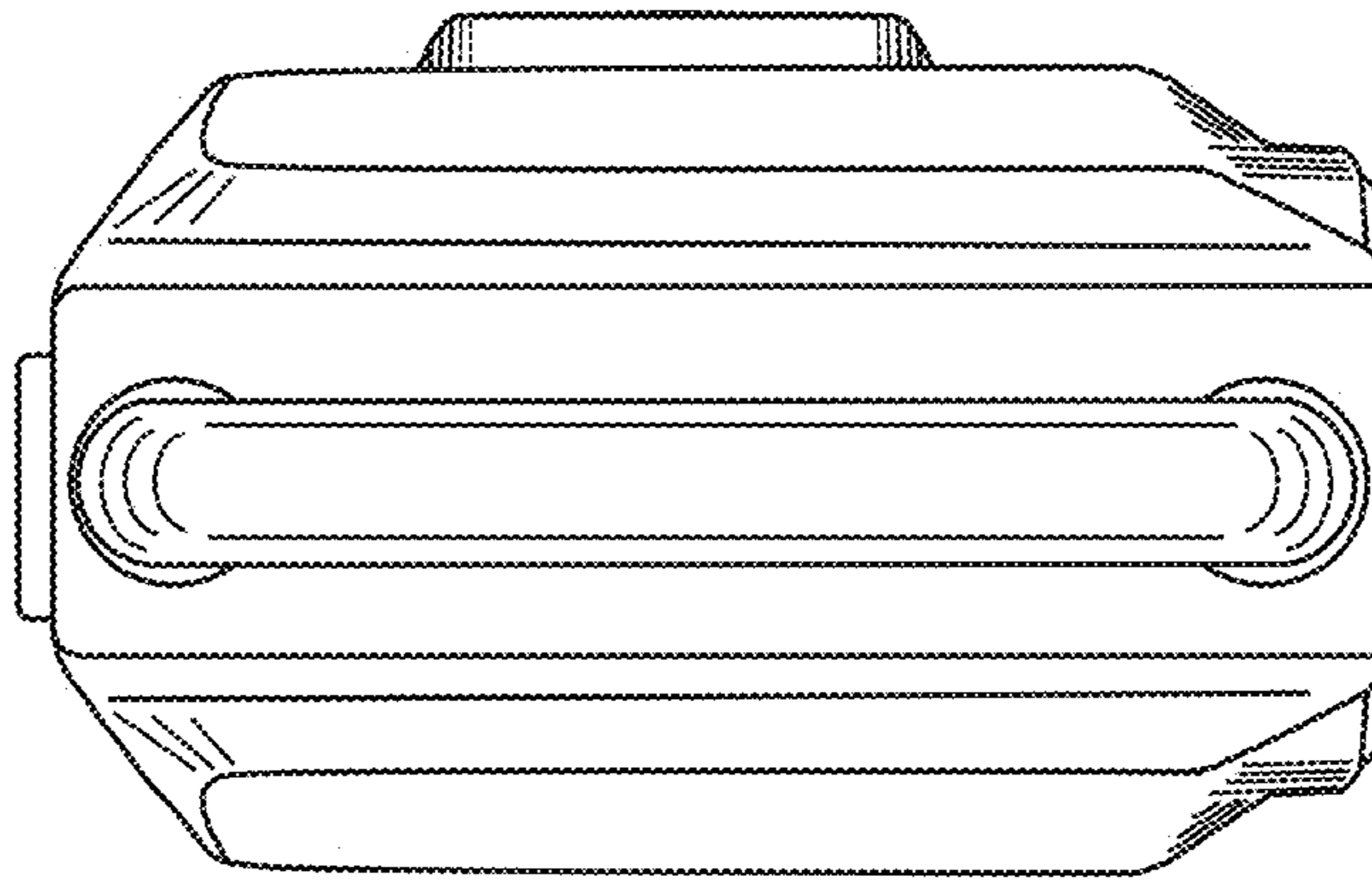


FIG. 4

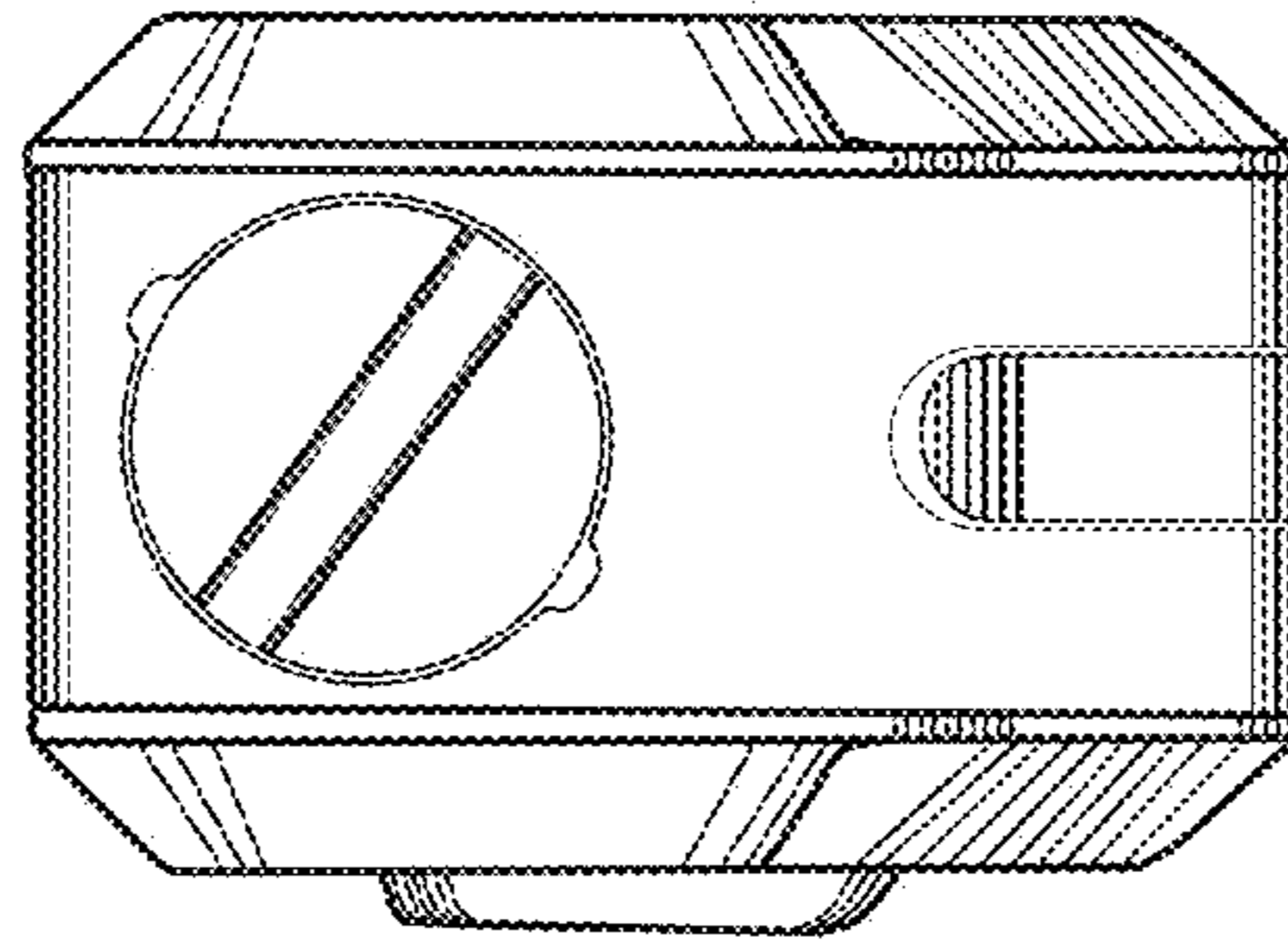


FIG. 5

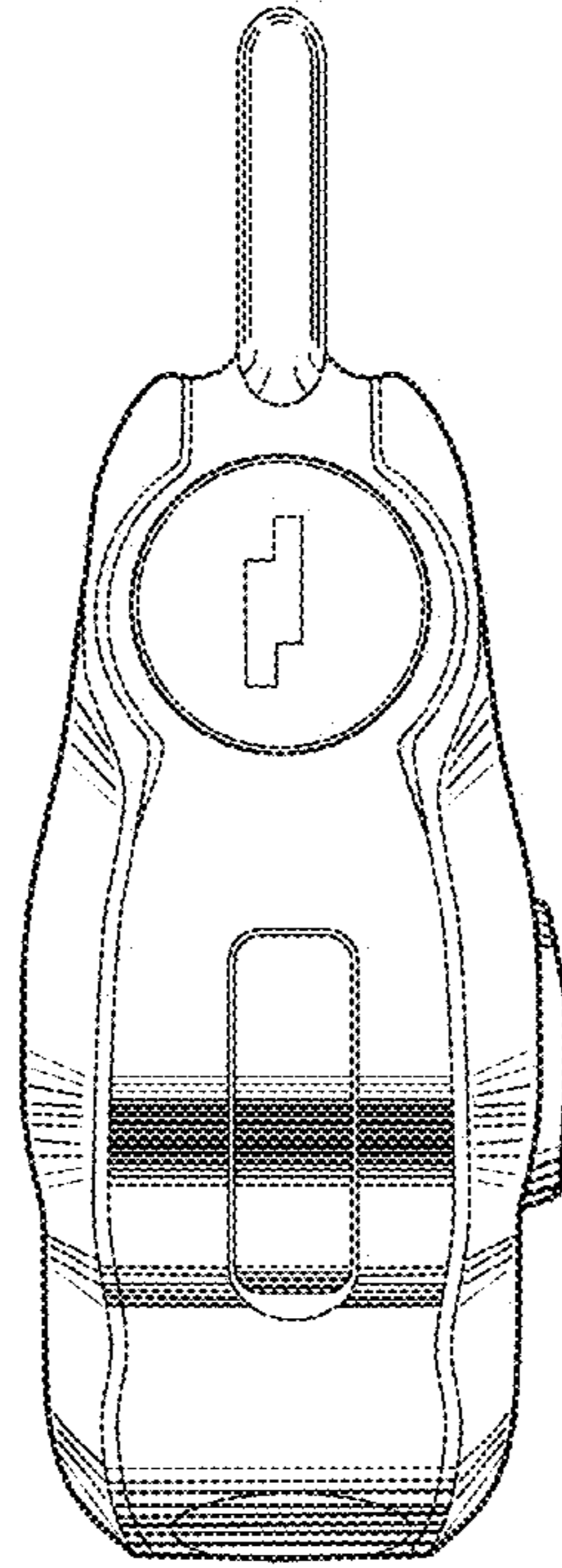


FIG. 6

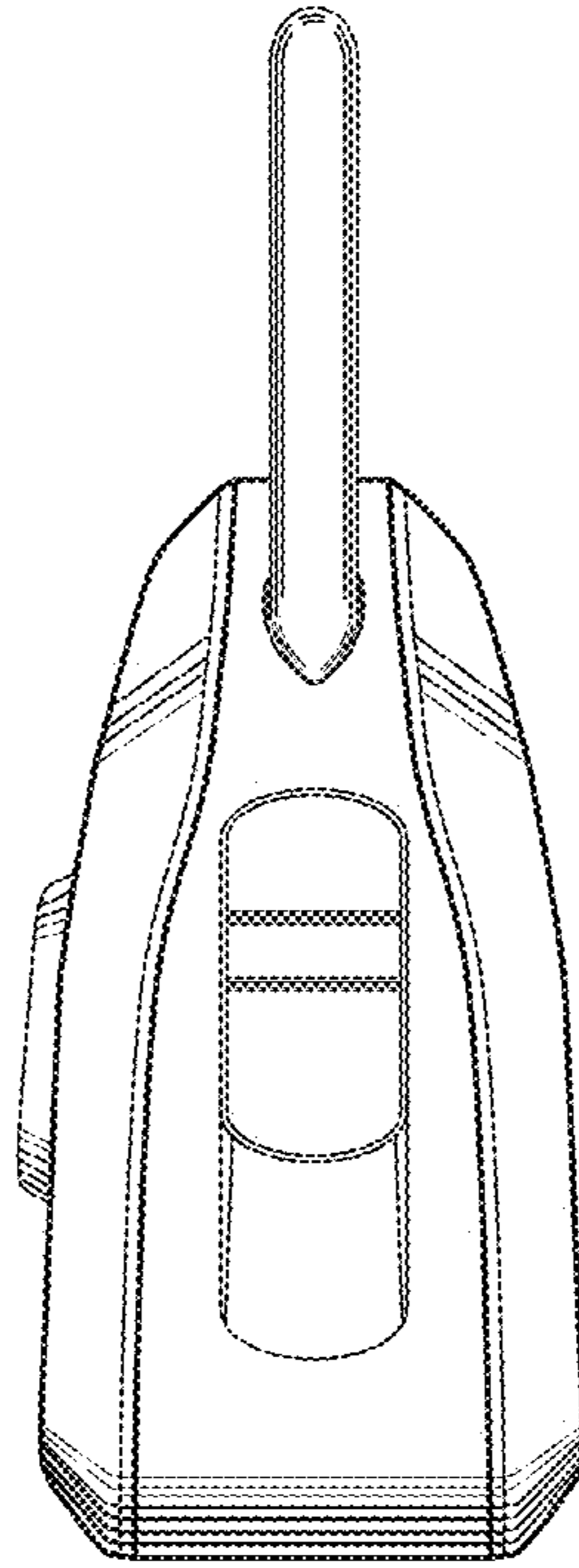


FIG. 7

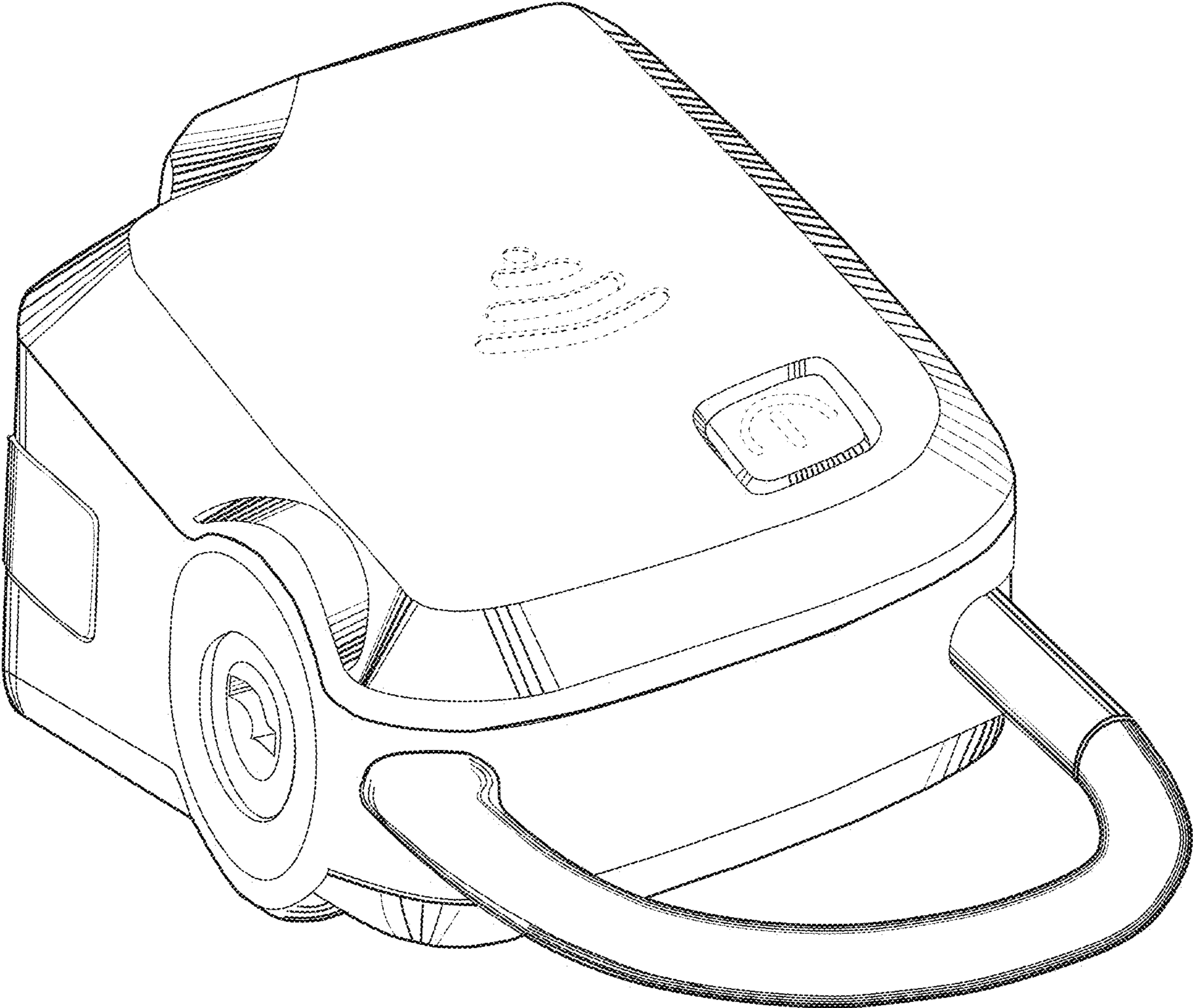


FIG. 8

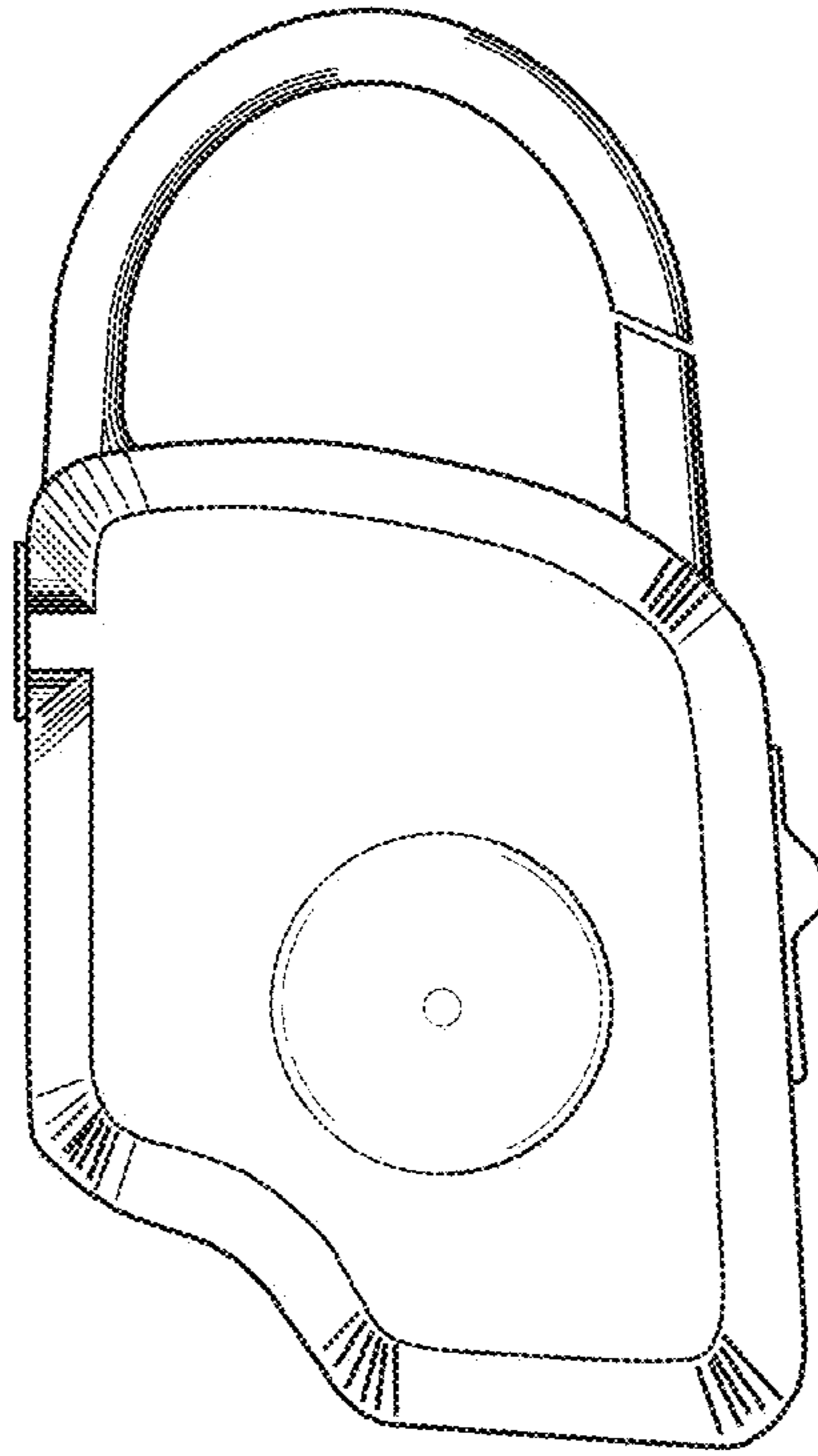


FIG. 9

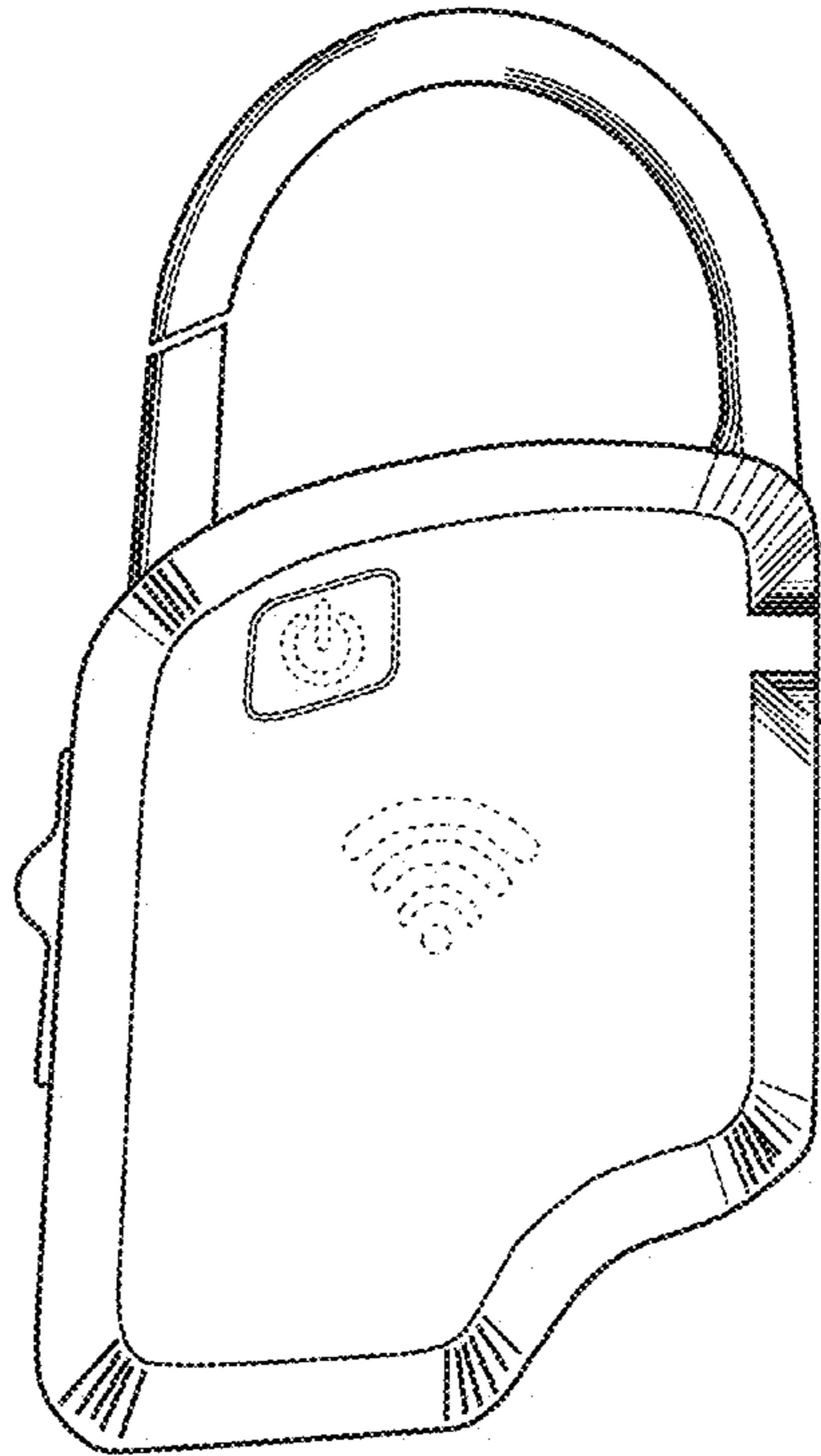


FIG. 10

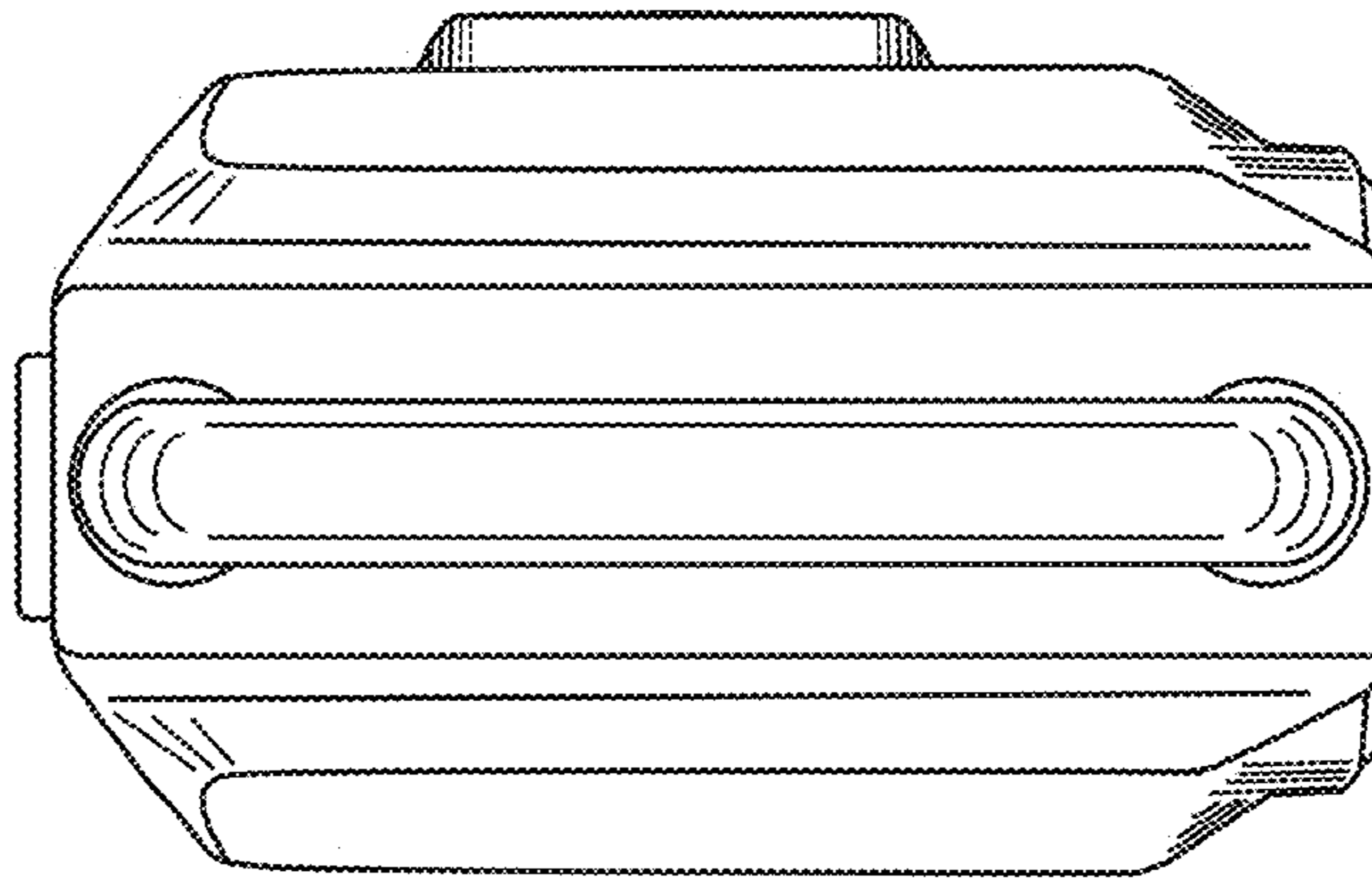


FIG. 11

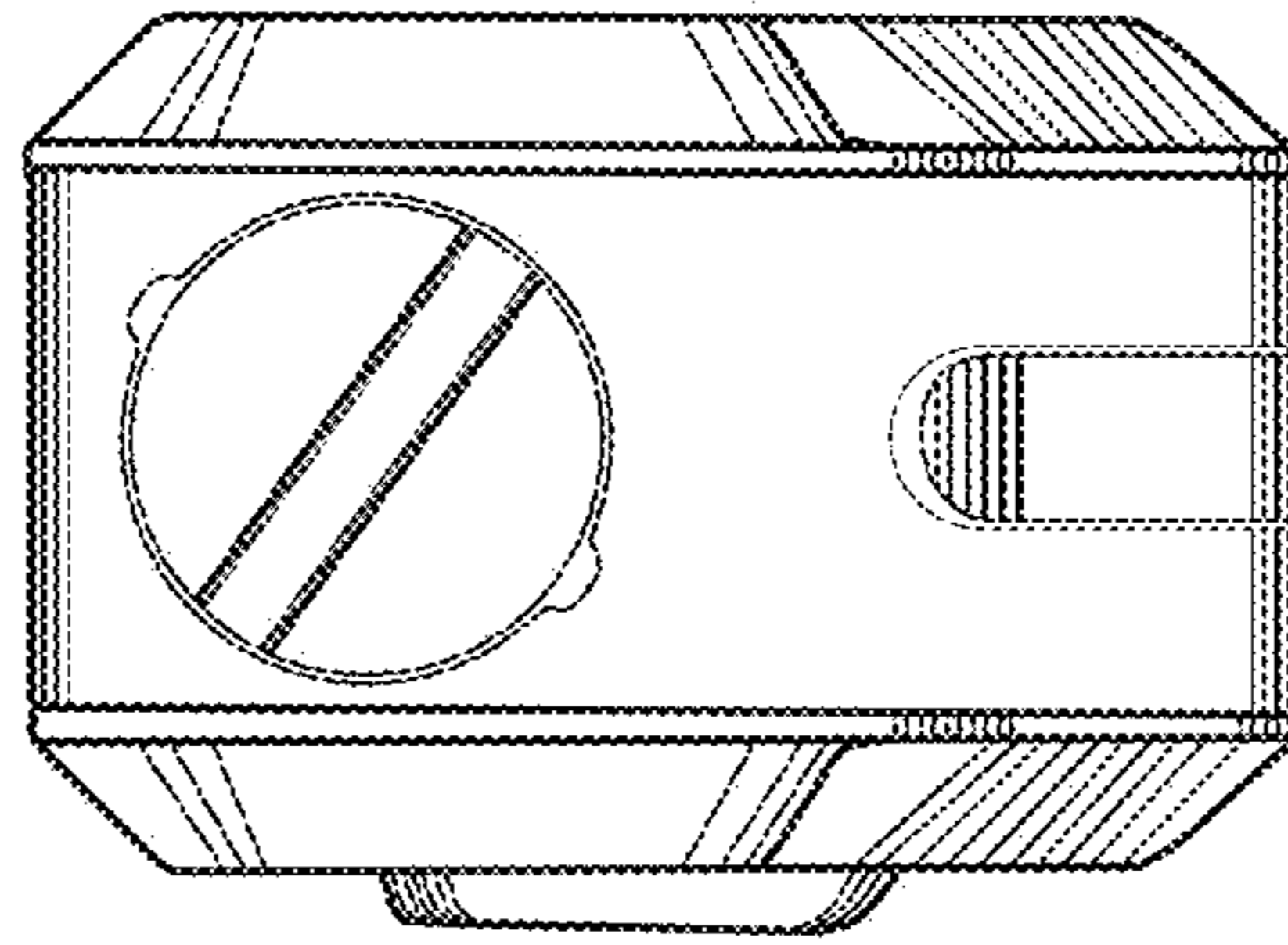


FIG. 12

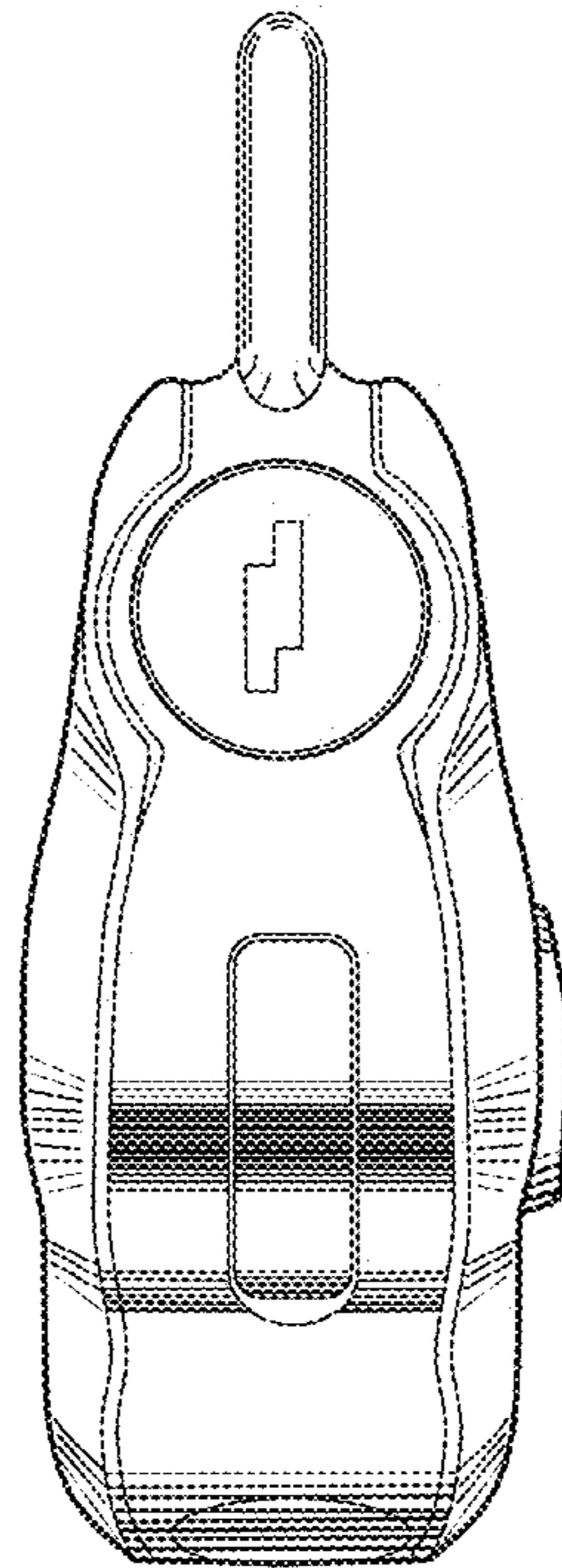


FIG. 13

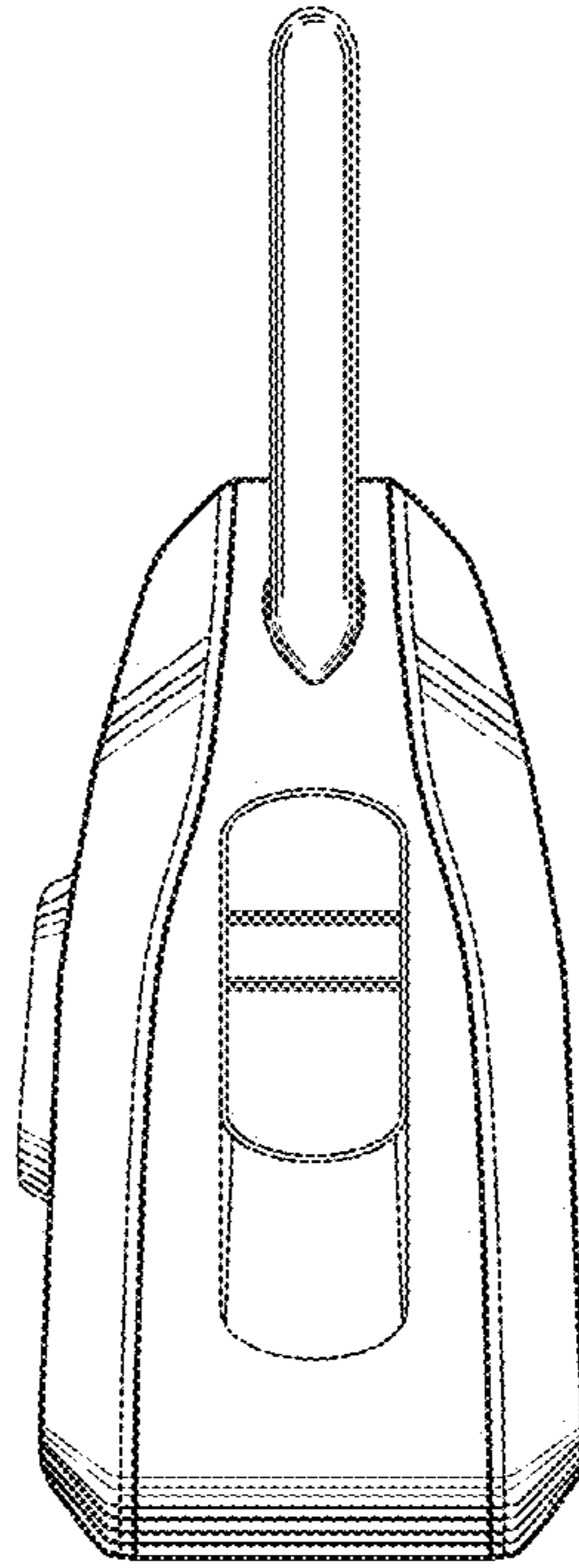


FIG. 14