



US00D976673S

(12) **United States Design Patent**  
**Zhang**

(10) **Patent No.:** **US D976,673 S**  
(45) **Date of Patent:** **\*\* Jan. 31, 2023**

(54) **SMART LOCK**

(71) Applicant: **Zhongshan Futai Intelligent Security Technology Co., Ltd., Zhongshan (CN)**

(72) Inventor: **Qiuju Zhang, Zhongshan (CN)**

(\*\*) Term: **15 Years**

(21) Appl. No.: **29/849,762**

(22) Filed: **Aug. 15, 2022**

(51) **LOC (14) Cl.** ..... **08-07**

(52) **U.S. Cl.**  
USPC ..... **D8/331**

(58) **Field of Classification Search**

USPC ..... D8/331, 336  
CPC ..... E05B 9/002; E05B 37/0031; E05B 2009/004; E05B 2009/006; G05B 9/02; G05B 19/04; G05B 19/02; G05B 19/41835; G07C 9/00309; G07C 9/0069; G07C 2009/00452; Y10T 70/7068; Y10T 70/7141; Y10T 70/7237; Y10T 70/8568  
See application file for complete search history.

(56) **References Cited**

**U.S. PATENT DOCUMENTS**

6,865,913 B2 \* 3/2005 Yamagishi ..... G07C 9/00563  
70/278.1  
9,406,181 B2 \* 8/2016 Almomani ..... G07C 9/00309

D766,067 S \* 9/2016 Hyde ..... D8/331  
D769,102 S \* 10/2016 Euchner ..... D8/331  
10,385,588 B2 \* 8/2019 Huang ..... E05B 47/0012  
D915,864 S 4/2021 Zhu et al.  
D920,766 S 6/2021 Zheng et al.  
D938,798 S 12/2021 Hirvesaar

\* cited by examiner

*Primary Examiner* — Doris Clark

(74) *Attorney, Agent, or Firm* — Rumit Ranjit Kanakia

(57) **CLAIM**

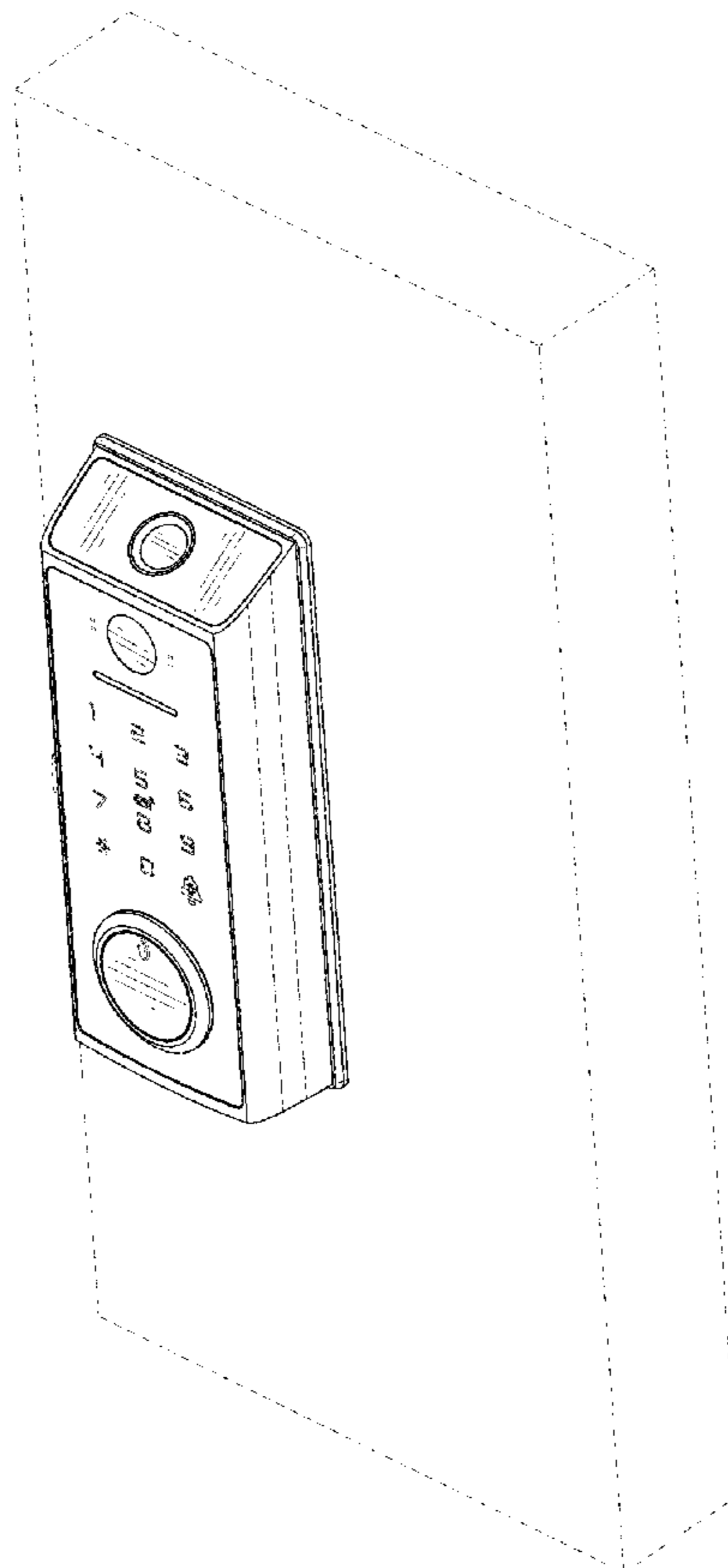
The ornamental design for a smart lock, as shown and described.

**DESCRIPTION**

FIG. 1 is a first perspective view of a smart lock showing my new design;  
FIG. 2 is a second perspective view thereof;  
FIG. 3 is a front view thereof;  
FIG. 4 is a back view thereof;  
FIG. 5 is a left side view thereof;  
FIG. 6 is a right side view thereof;  
FIG. 7 is a top view thereof; and,  
FIG. 8 is a bottom view thereof.

The broken lines shown in the drawings depict portions of the smart lock that form no part of the claimed design.

**1 Claim, 8 Drawing Sheets**



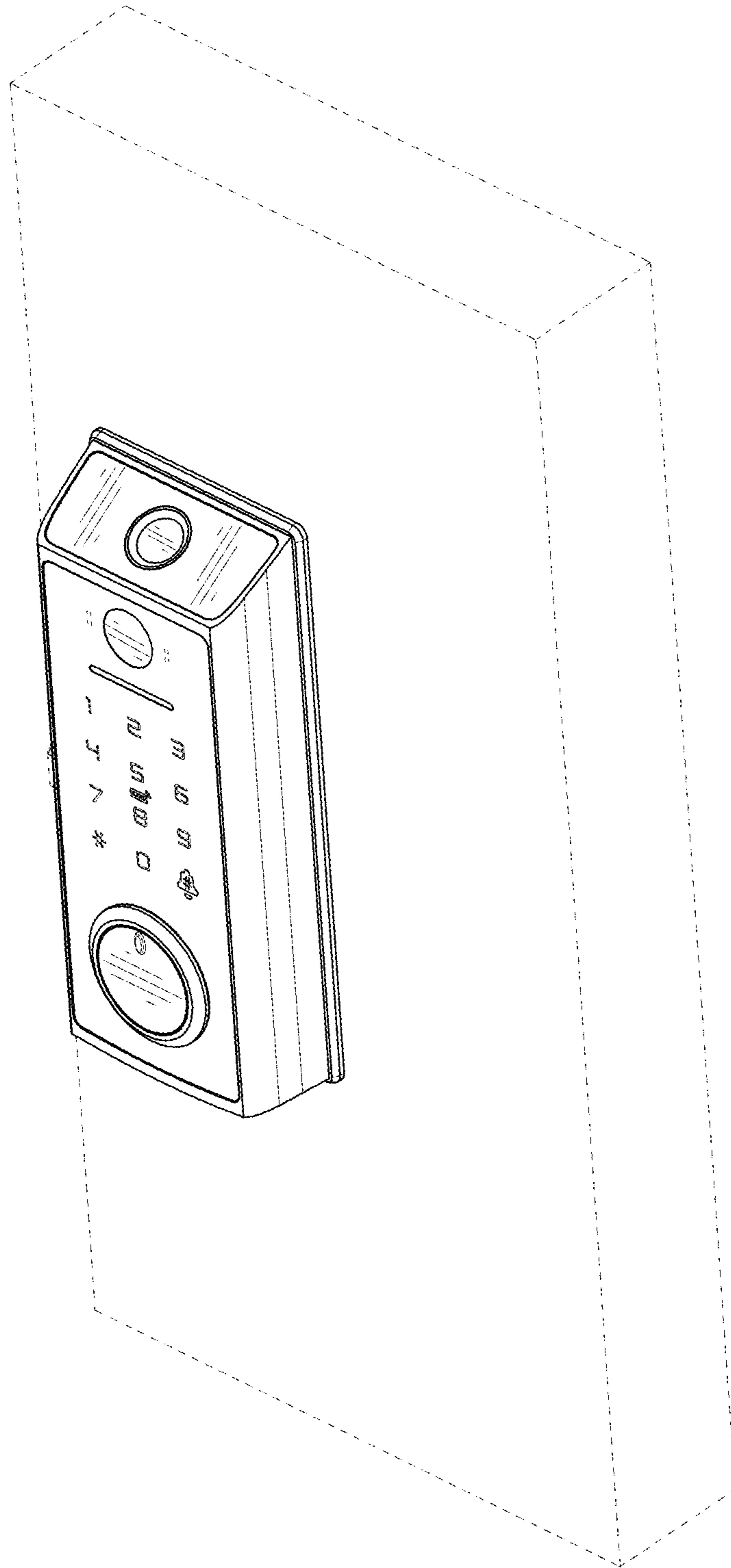


FIG. 1

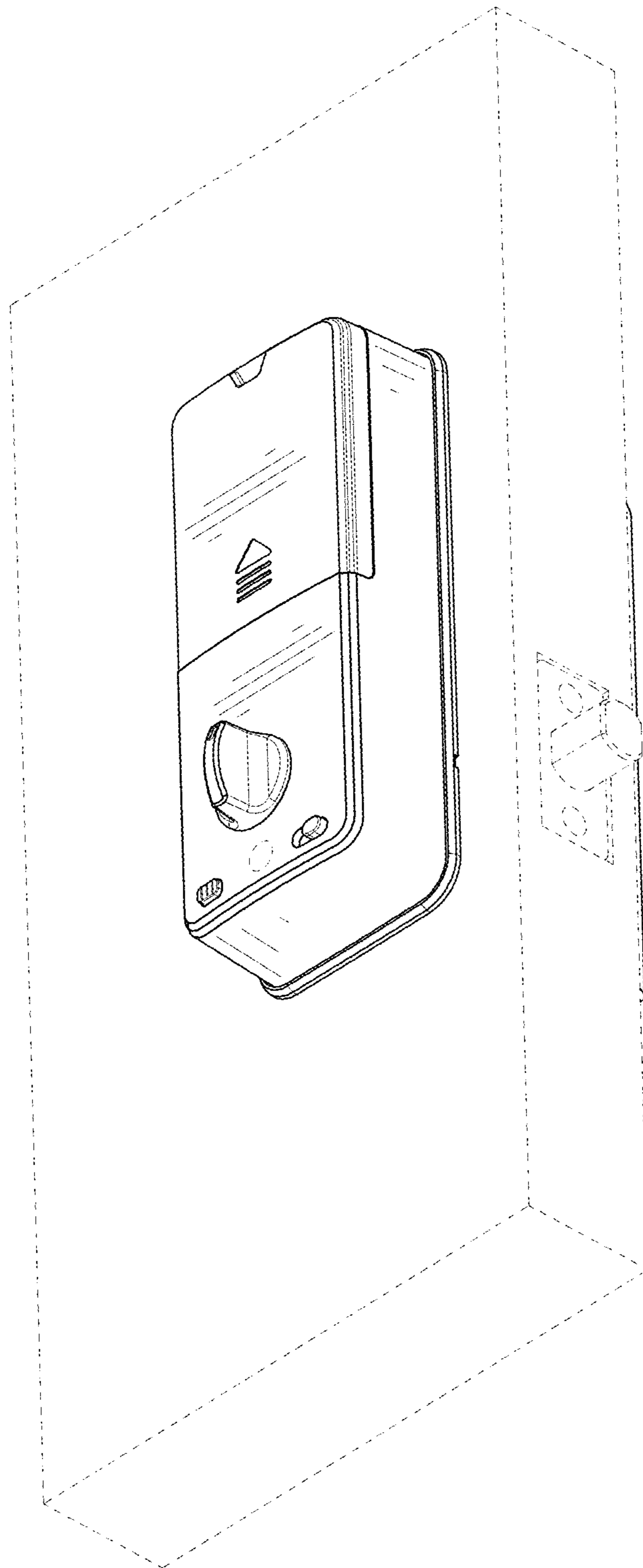


FIG. 2

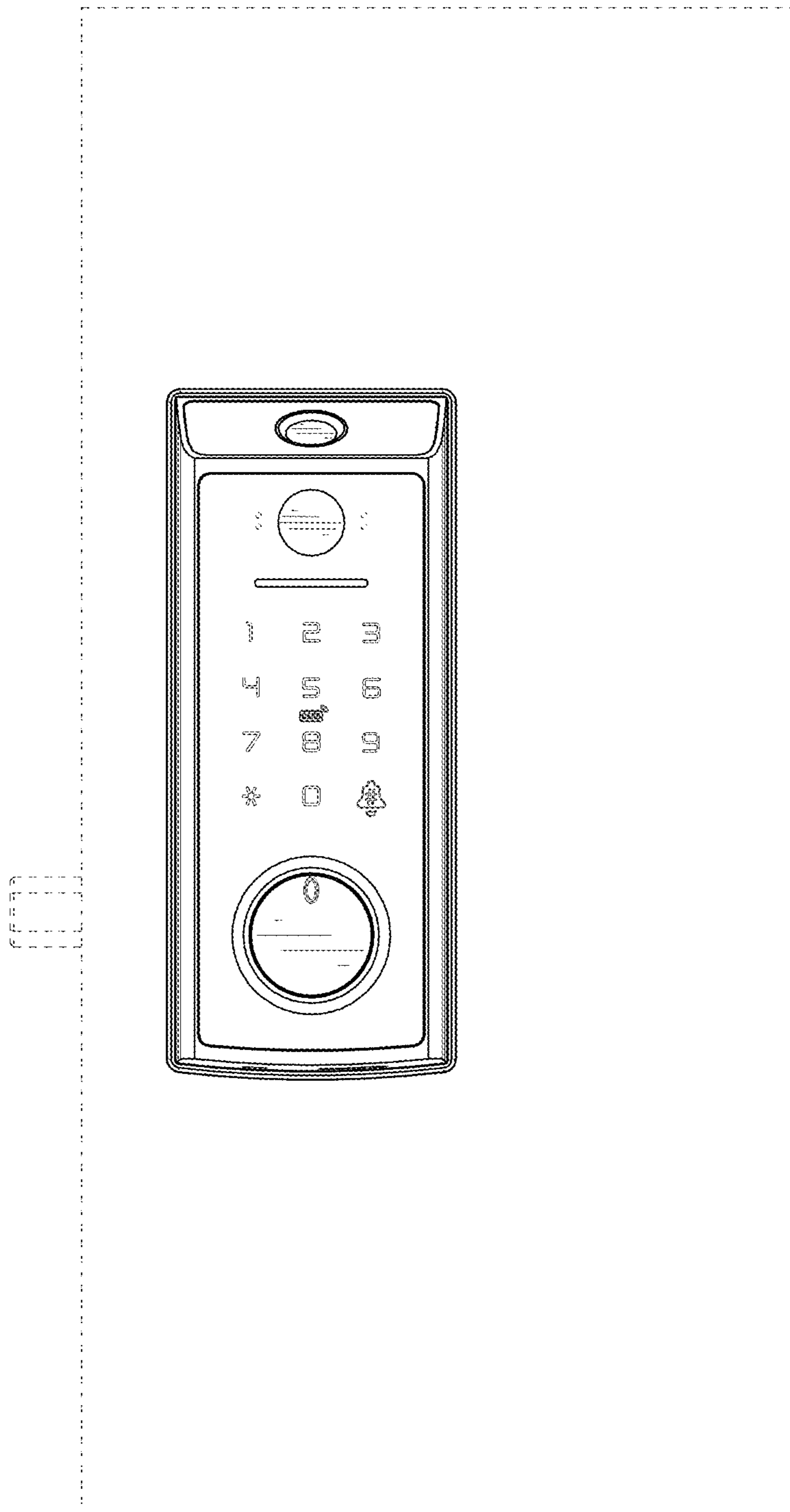


FIG. 3

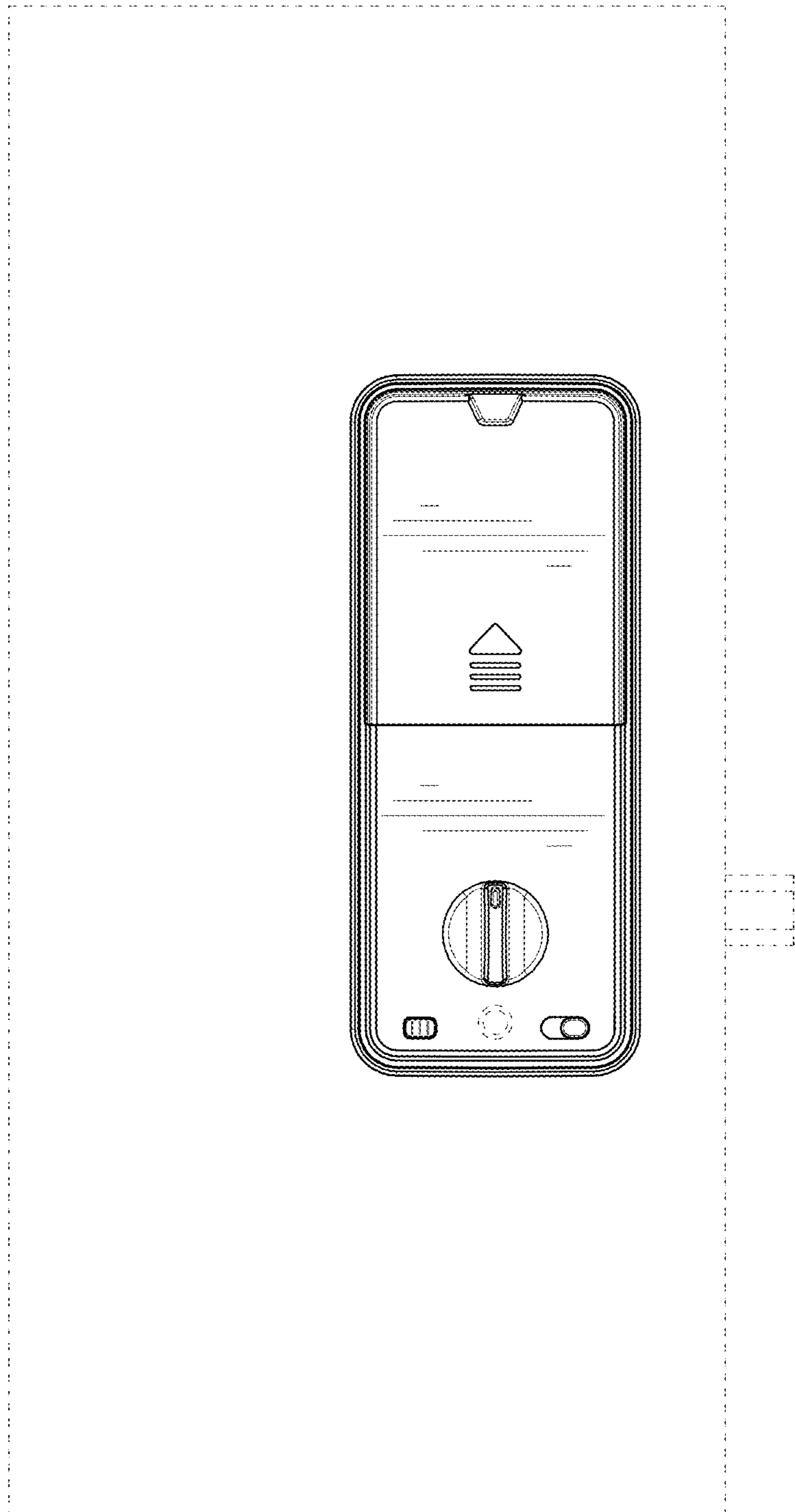


FIG. 4

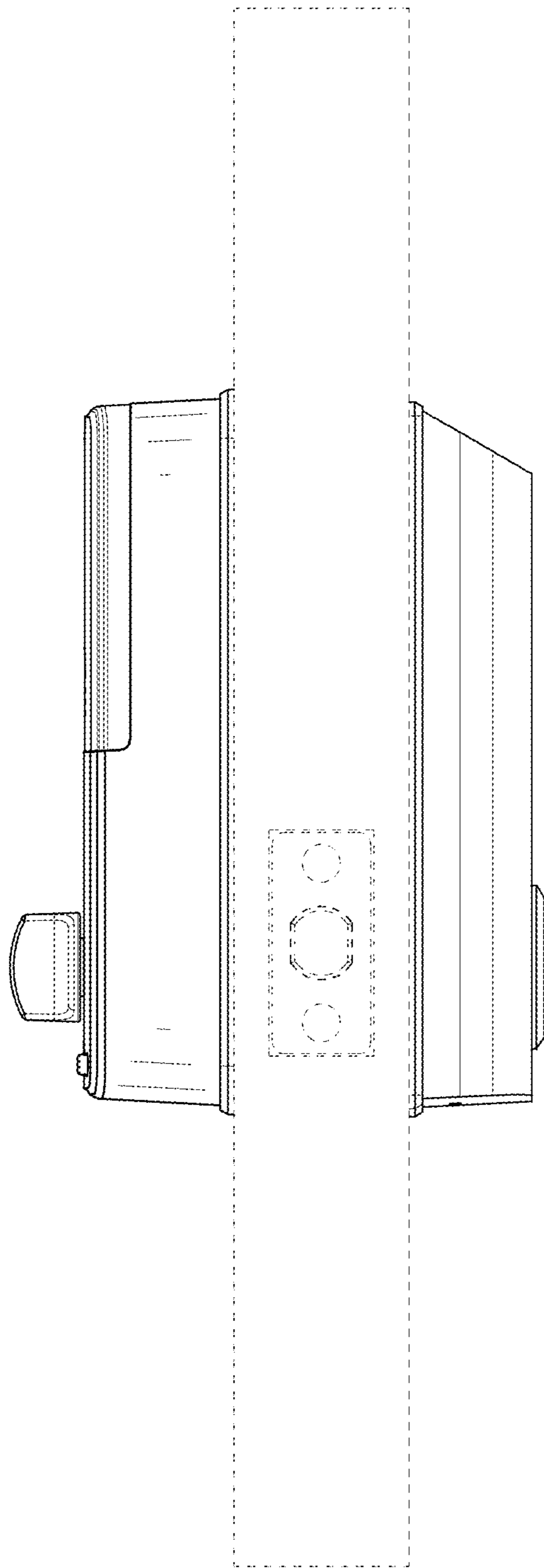


FIG. 5

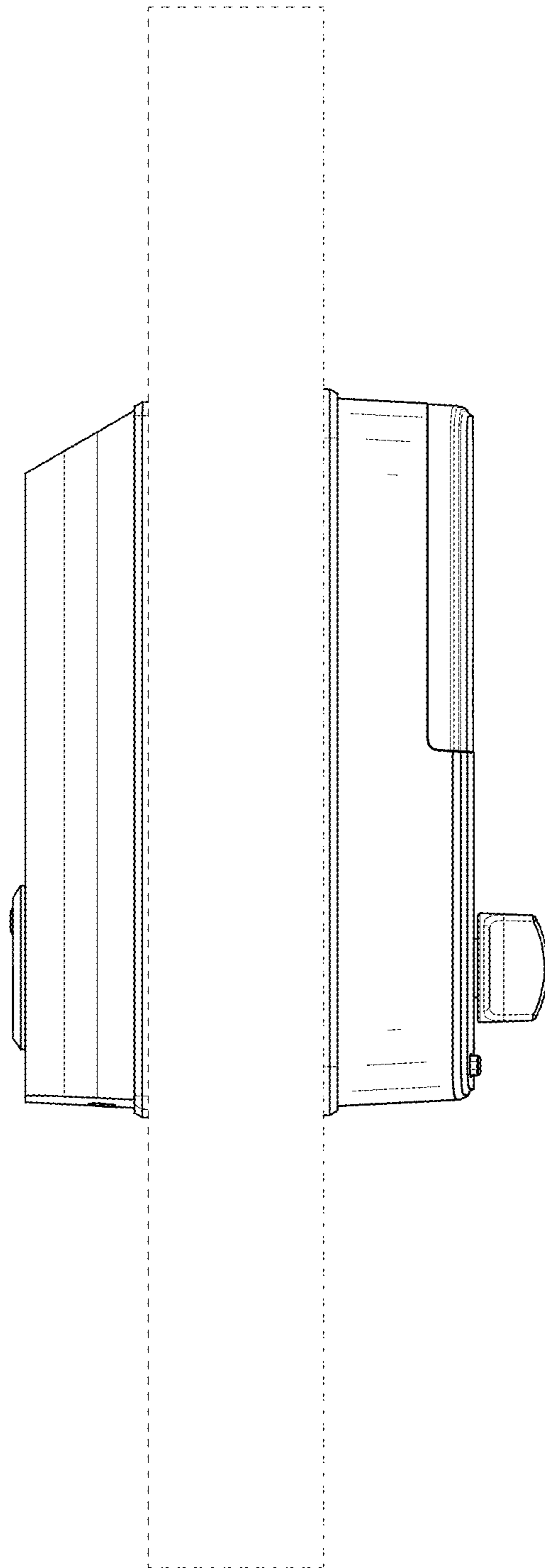


FIG. 6

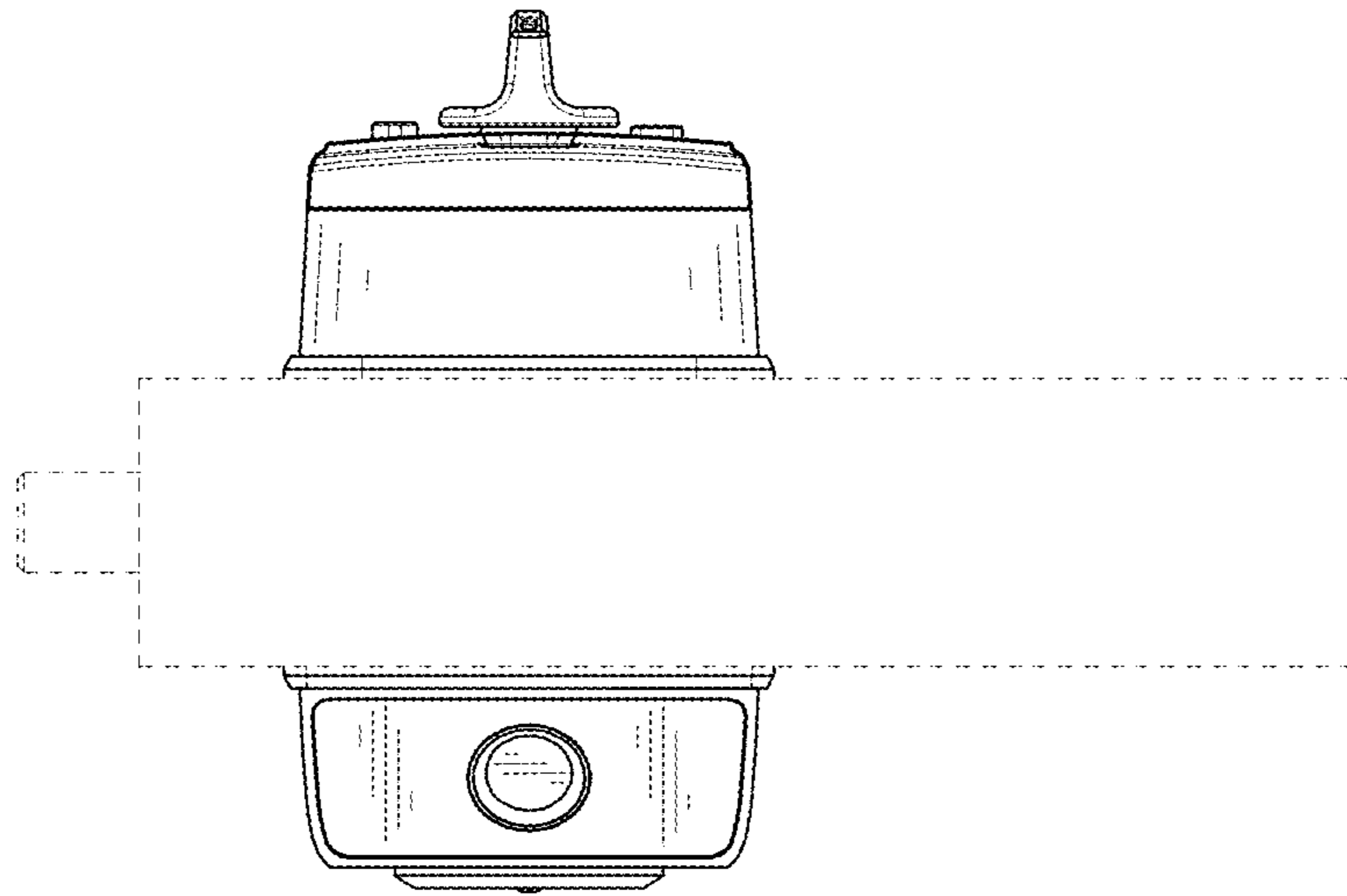


FIG. 7



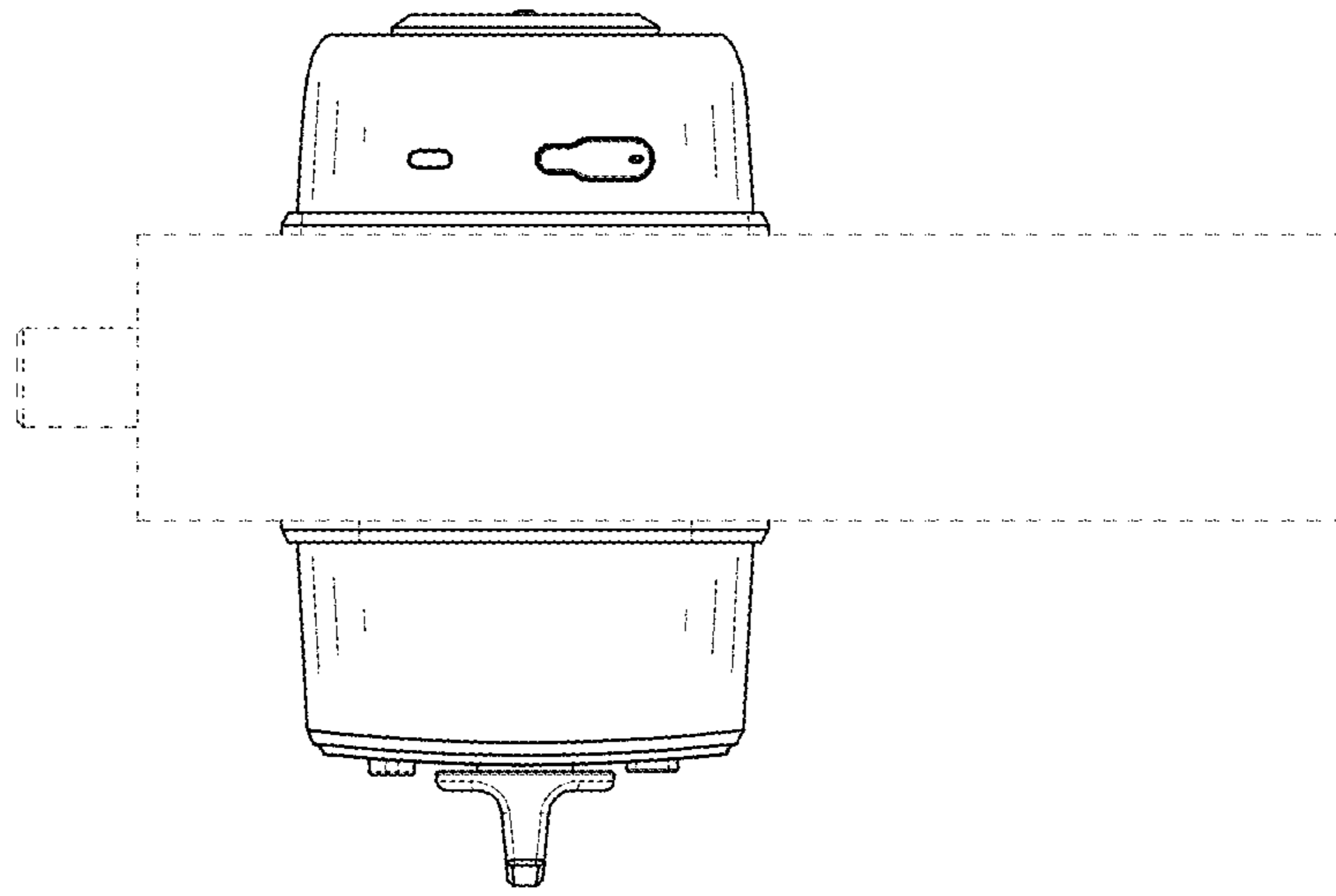


FIG. 8