



US00D976672S

(12) **United States Design Patent**
Amechi

(10) **Patent No.:** **US D976,672 S**
(45) **Date of Patent:** **** Jan. 31, 2023**

- (54) **SELF-CLOSE DEVICE**
- (71) Applicant: **Jonathan Manufacturing Corporation**, Irvine, CA (US)
- (72) Inventor: **Patty J. Amechi**, Eugene, OR (US)
- (73) Assignee: **Jonathan Manufacturing Corporation**, Irvine, CA (US)
- (**) Term: **15 Years**
- (21) Appl. No.: **29/732,851**
- (22) Filed: **Apr. 28, 2020**
- (51) **LOC (14) Cl.** **08-07**
- (52) **U.S. Cl.**
USPC **D8/330**
- (58) **Field of Classification Search**
USPC D8/330, 343, 339
CPC ... E05F 1/002; E05F 1/025; E05F 1/08; E05F 1/10; E05F 1/12; E05F 1/1091; E05F 1/1292; A47B 88/40; A47B 2210/07; A47B 2210/16; A47B 2220/0022; A47B 2088/401; A47B 88/46; A47B 88/467; E05Y 2900/132; E05Y 2201/64; E05Y 2201/642; E05Y 2201/684; E05Y 2201/708
See application file for complete search history.

- 8,613,126 B2 * 12/2013 Blockley E05F 3/12 16/56
- 9,091,110 B2 * 7/2015 Pawloski E05F 15/635
- 9,273,505 B1 * 3/2016 Knittel E05F 3/00
- D816,461 S * 5/2018 Heitz D8/330
- 10,801,241 B1 * 10/2020 Dixon E05F 1/105

OTHER PUBLICATIONS

Actra-Close Assembly (Add-On) Part No. A53105, available from internet <https://www.actronmfginc.com/products/actra-close-assembly-add-on-a53105/>, available as early as 2011.

* cited by examiner

Primary Examiner — Doris Clark
(74) *Attorney, Agent, or Firm* — Knobbe, Martens, Olson & Bear, LLP

(57) **CLAIM**

The ornamental design for a self-close device, as shown and described.

DESCRIPTION

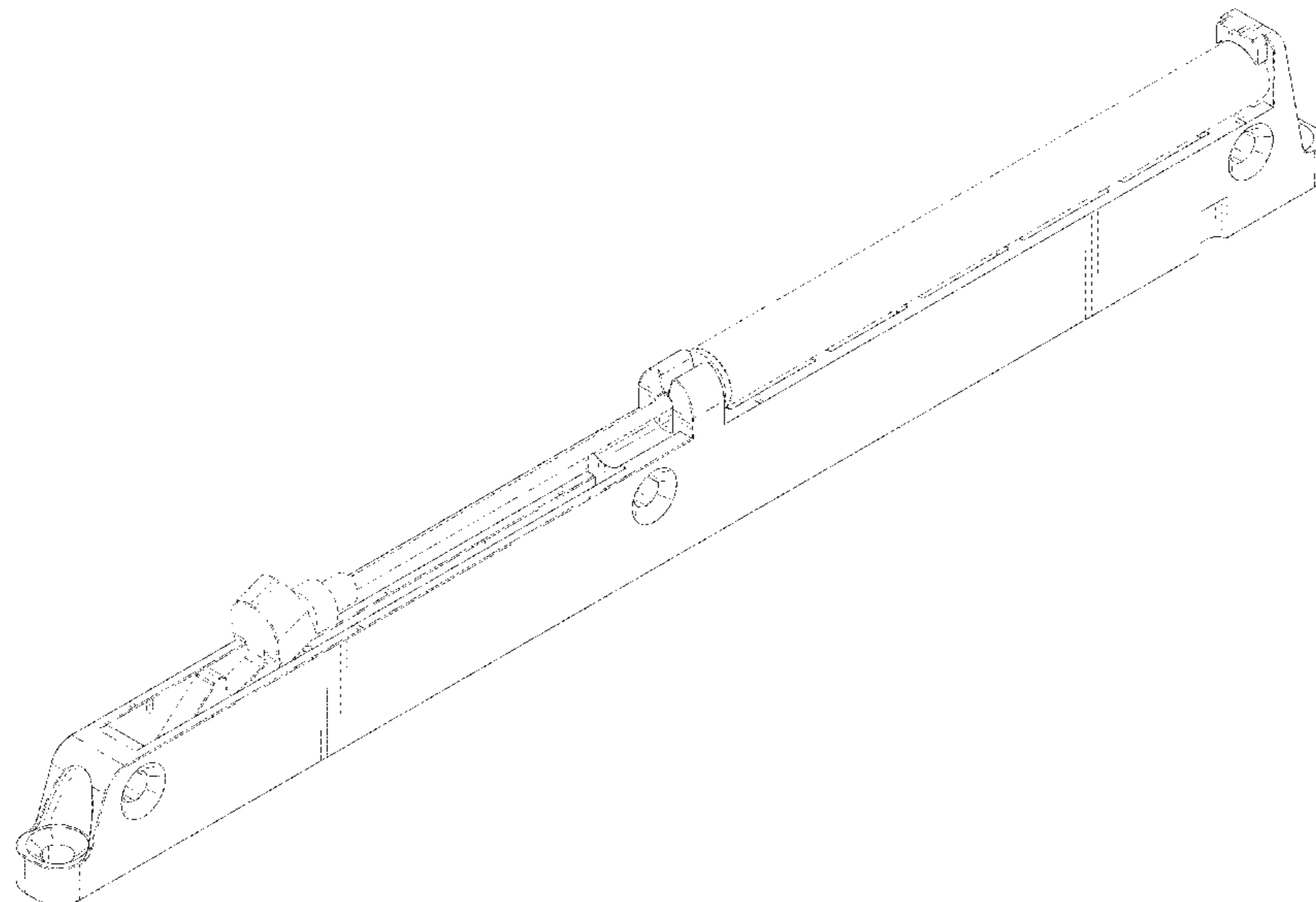
FIG. 1 is a perspective view of a self-close device showing an embodiment of our design;
FIG. 2 is another perspective view of the embodiment;
FIG. 3 is a front elevation view of the embodiment;
FIG. 4 is a rear elevation view of the embodiment;
FIG. 5 is a left-side elevation view of the embodiment;
FIG. 6 is a right-side elevation view of the embodiment;
FIG. 7 is a top plan view of the embodiment;
FIG. 8 is a bottom plan view of the embodiment;
FIG. 9 is a perspective view of the embodiment in a retracted position; and,
FIG. 10 is a perspective view of the embodiment in the retracted position.
The broken lines shown in the drawings represent portions of the self-close device that form no part of the claimed design.

(56) **References Cited**

U.S. PATENT DOCUMENTS

- 4,185,415 A * 1/1980 LaConte E05D 3/06 49/248
- 6,041,548 A * 3/2000 Miller E05F 1/1091 49/340
- 6,269,521 B1 * 8/2001 Gabel E05F 1/1292 16/361
- 8,402,606 B1 * 3/2013 Tsai E05F 3/18 16/49

1 Claim, 7 Drawing Sheets



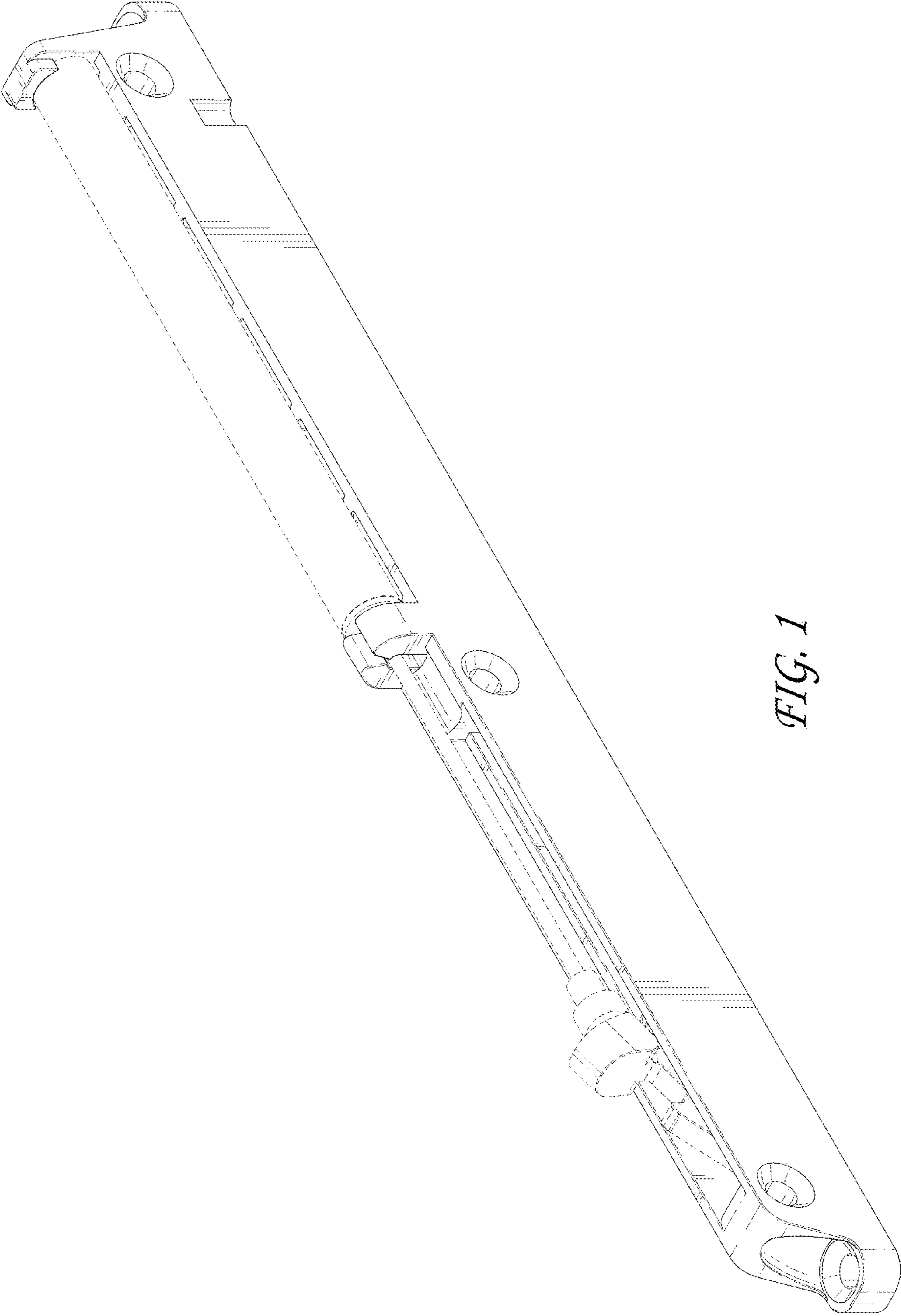


FIG. 1

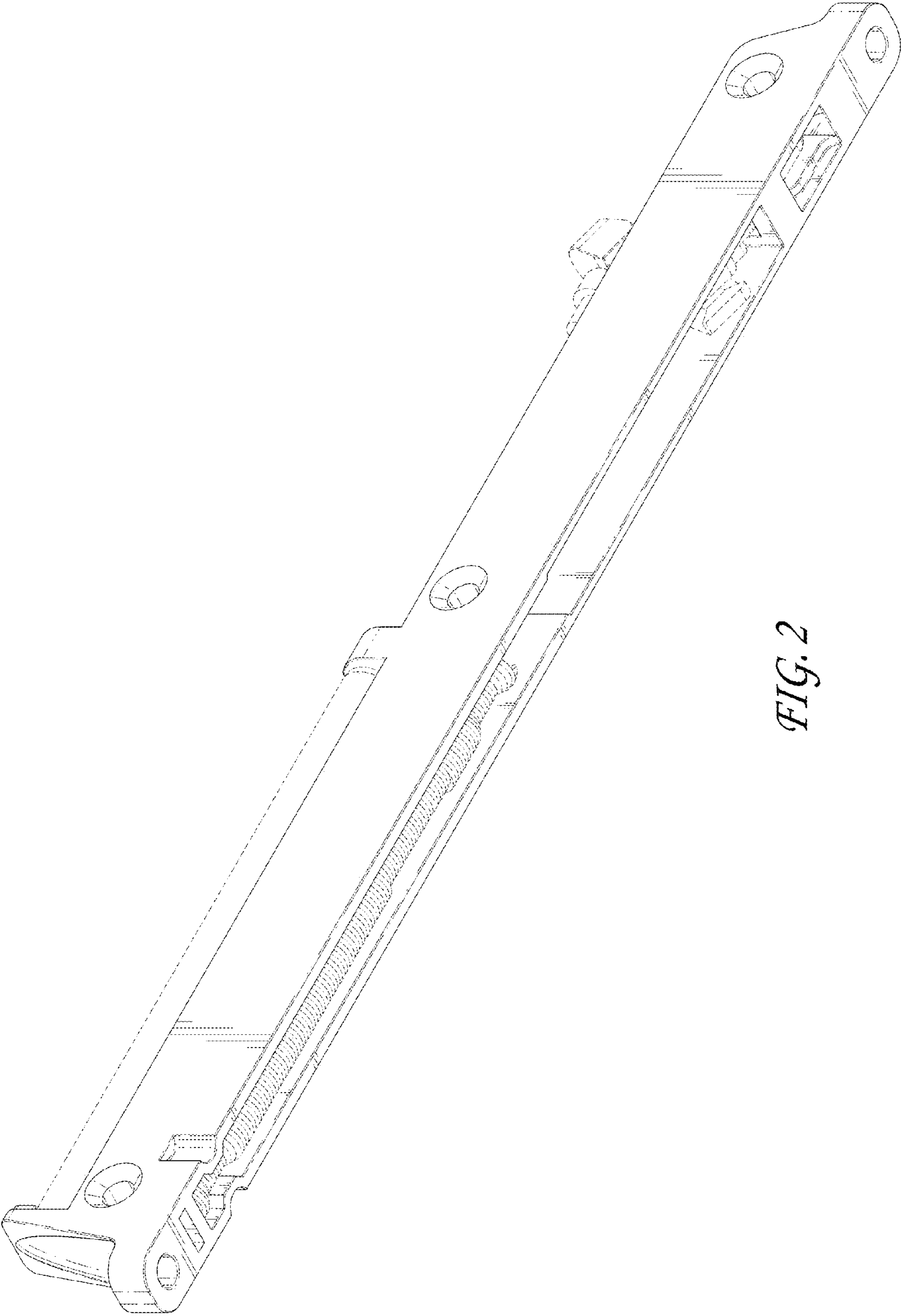


FIG. 2

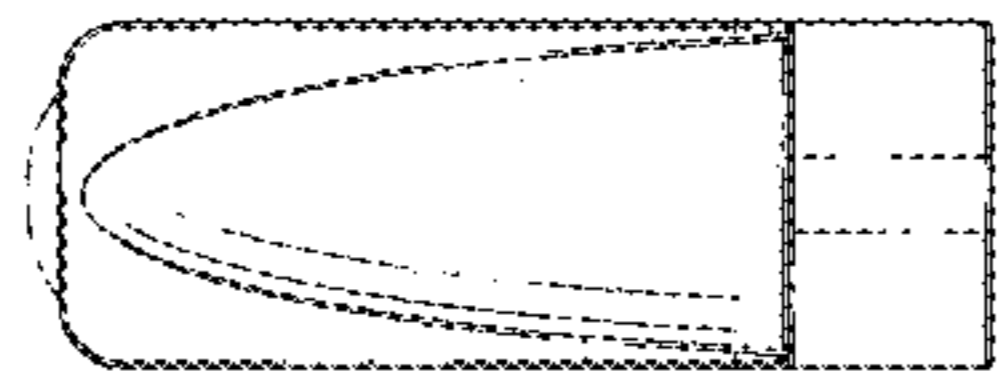


FIG. 4

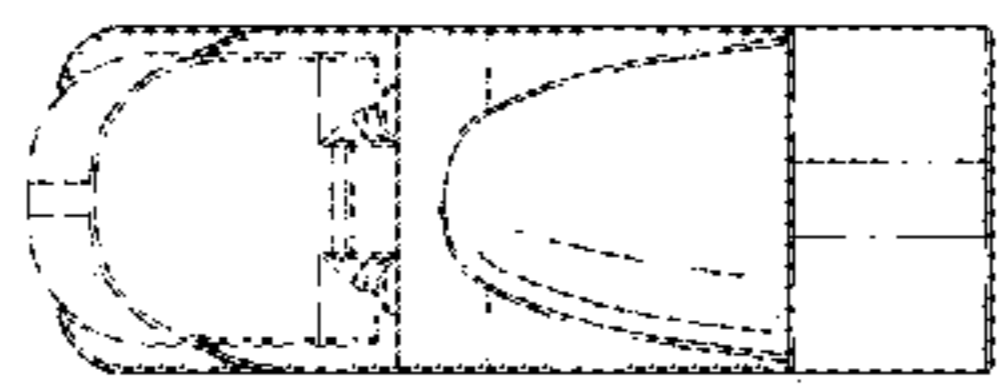


FIG. 3

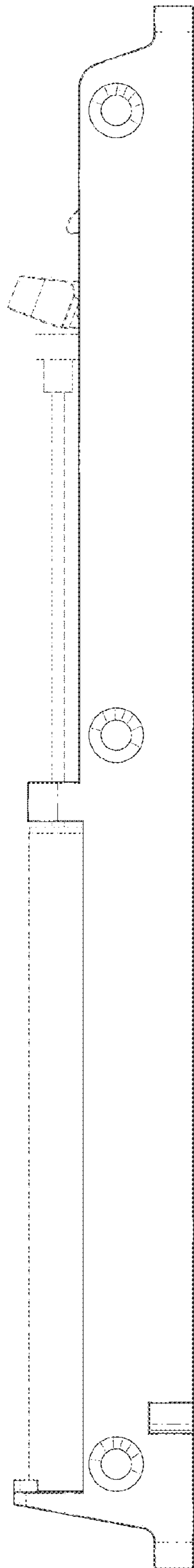


FIG. 5

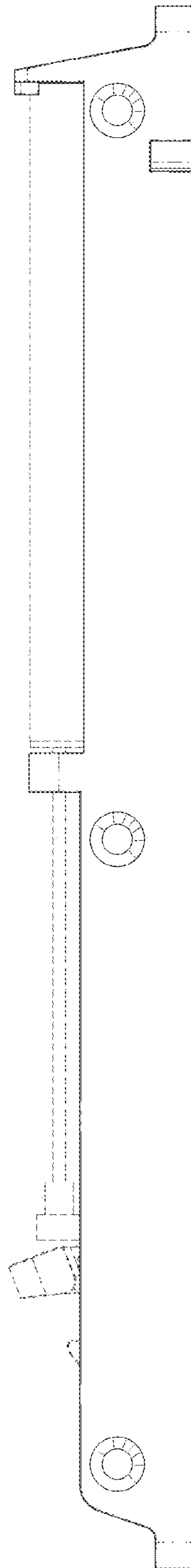


FIG. 6

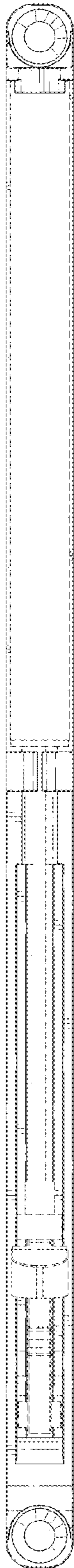


FIG. 7

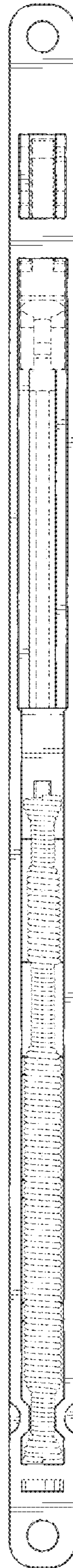


FIG. 8

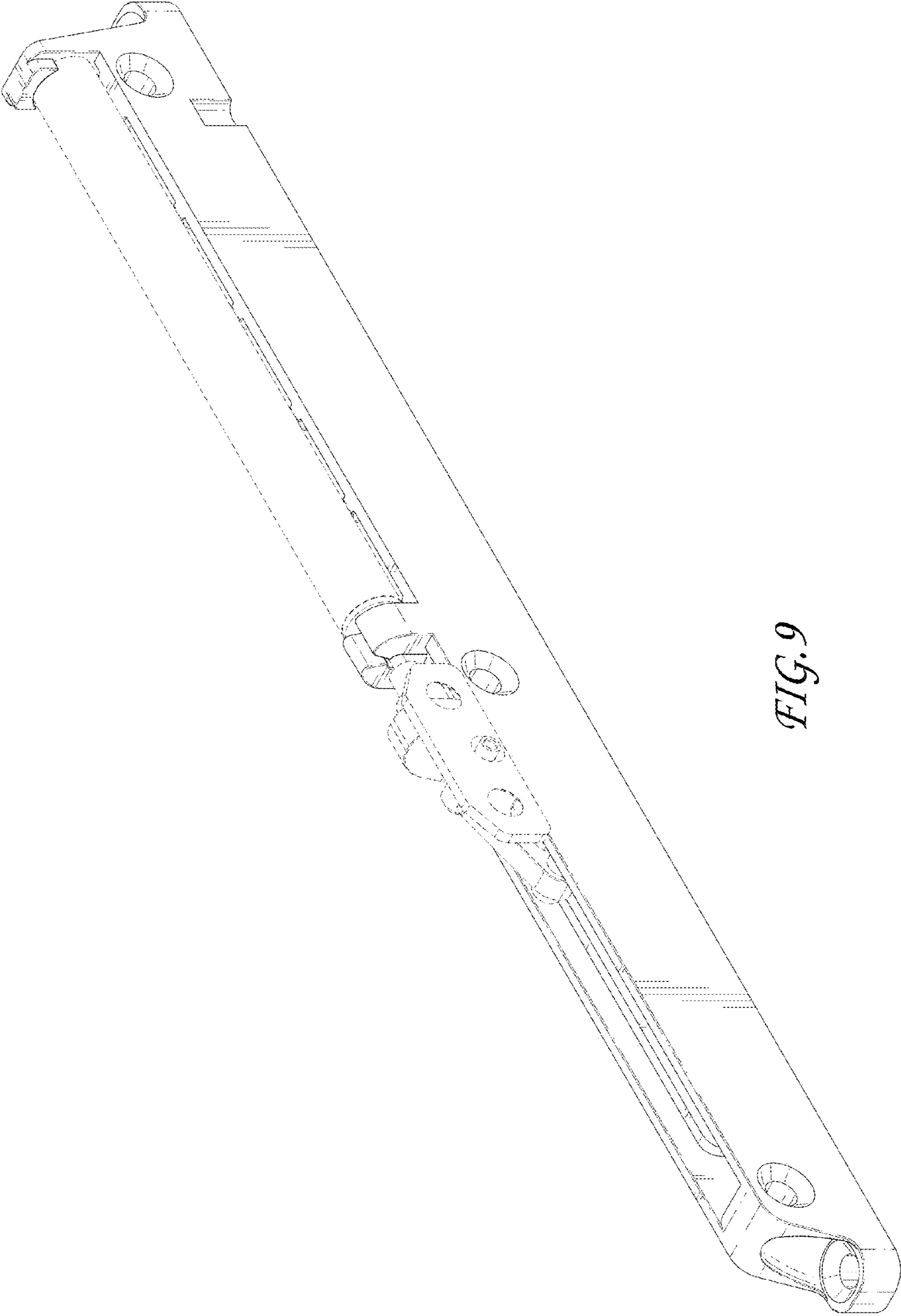


FIG. 9

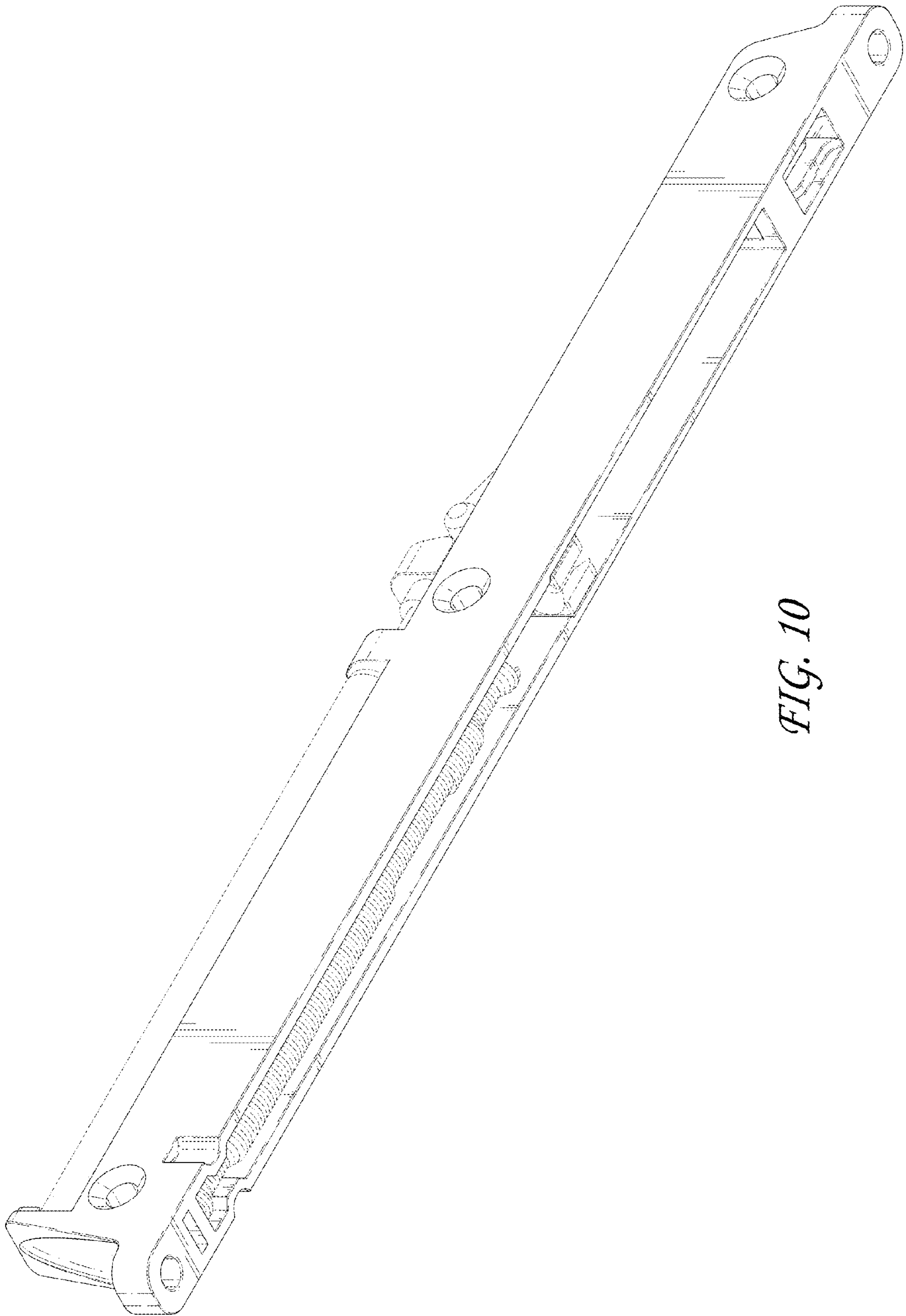


FIG. 10