

US00D976669S

(12) **United States Design Patent**
Li

(10) **Patent No.:** **US D976,669 S**
(45) **Date of Patent:** **** Jan. 31, 2023**

(54) **KNIFE SHARPENER**

(71) Applicant: **Jihui Li, Yangjiang (CN)**

(72) Inventor: **Jihui Li, Yangjiang (CN)**

(**) Term: **15 Years**

(21) Appl. No.: **29/854,629**

(22) Filed: **Sep. 27, 2022**

(30) **Foreign Application Priority Data**

Jun. 11, 2022 (CN) 202230356741.9

(51) **LOC (14) Cl.** **08-05**

(52) **U.S. Cl.**
USPC **D8/93**

(58) **Field of Classification Search**
USPC D8/63, 90, 91, 92, 93
CPC B24B 3/54; B24B 3/36; B24B 3/58; B24B
3/00; B24B 23/08; B24D 15/00; B24D
15/06; B24D 15/063; B24D 15/08; B24D
15/081

See application file for complete search history.

(56) **References Cited**

U.S. PATENT DOCUMENTS

D470,382 S * 2/2003 Kurz D8/93
D680,846 S * 4/2013 Smith D8/93

D876,199 S * 2/2020 Zhu D8/93
D898,538 S * 10/2020 Liu D8/93
D924,652 S * 7/2021 Guo D8/93
D928,581 S * 8/2021 Hong D8/93
D929,200 S * 8/2021 Huagn D8/93
D967,688 S * 10/2022 Li D8/93

* cited by examiner

Primary Examiner — Philip S Hyder

(74) *Attorney, Agent, or Firm* — Georgi Korobanov

(57) **CLAIM**

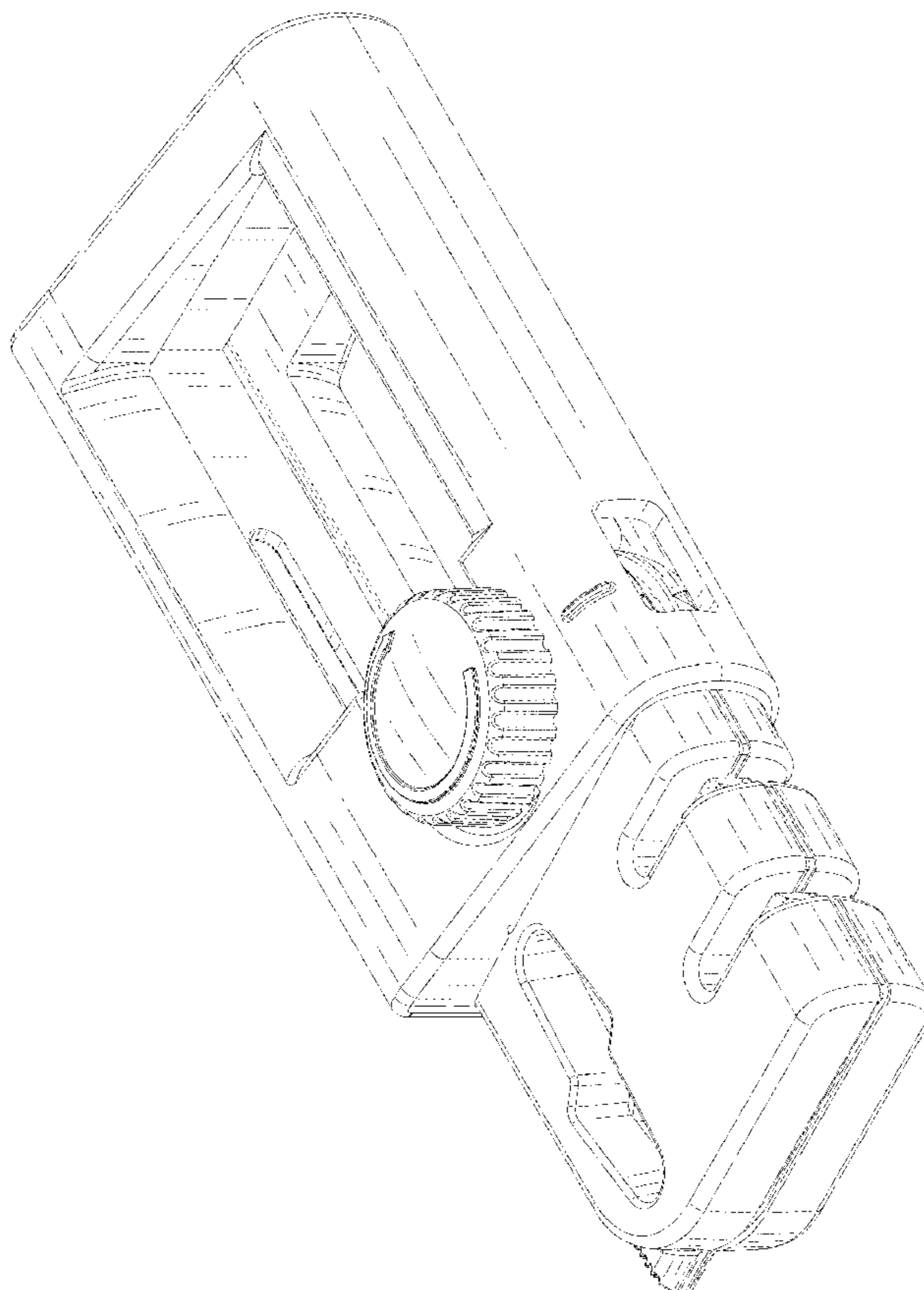
The ornamental design for a knife sharpener, as shown and described.

DESCRIPTION

FIG. 1 is a top front perspective view of a knife sharpener, showing my new design;
FIG. 2 is a bottom, rear perspective view thereof;
FIG. 3 is a front elevation view thereof;
FIG. 4 is a rear elevation view thereof;
FIG. 5 is a bottom plan view thereof;
FIG. 6 is a top plan view thereof;
FIG. 7 is a left end elevation view thereof;
FIG. 8 is a right end elevation view thereof, and,
FIG. 9 is a top, front perspective view thereof, in the folded condition.

The broken lines shown in the drawings illustrate portions of the knife sharpener that form no part of the claimed design.

1 Claim, 9 Drawing Sheets



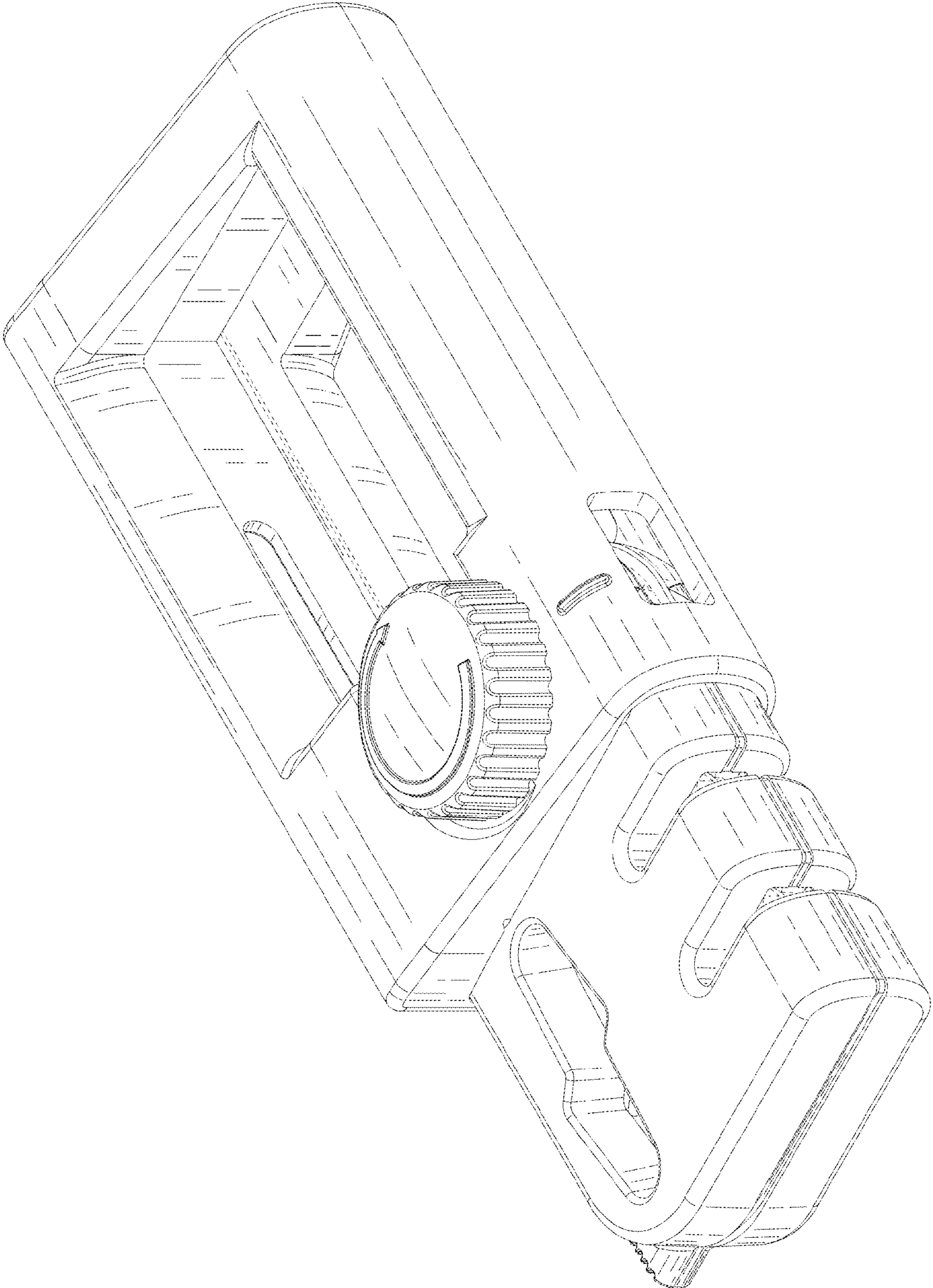


FIG. 1

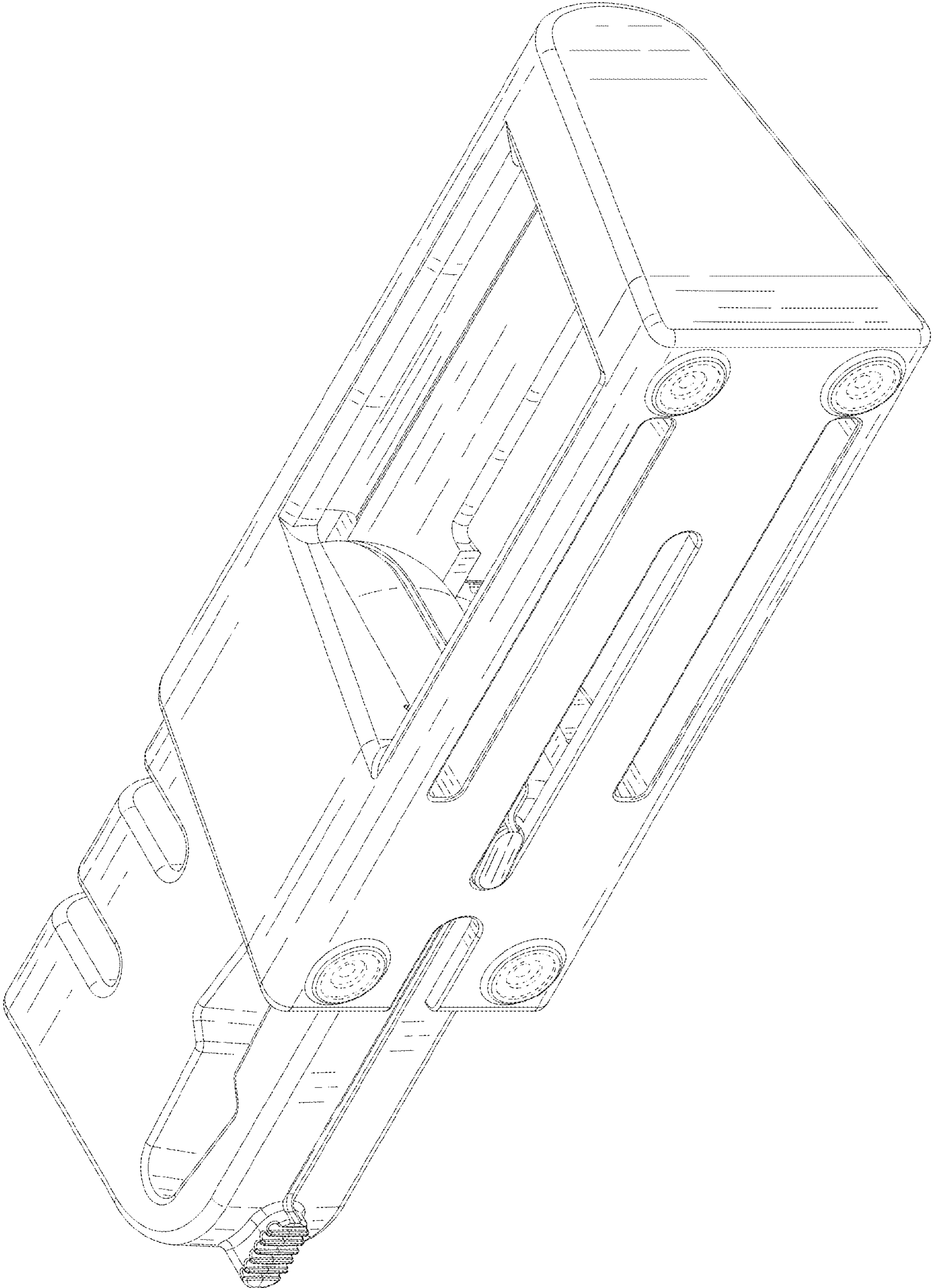


FIG. 2

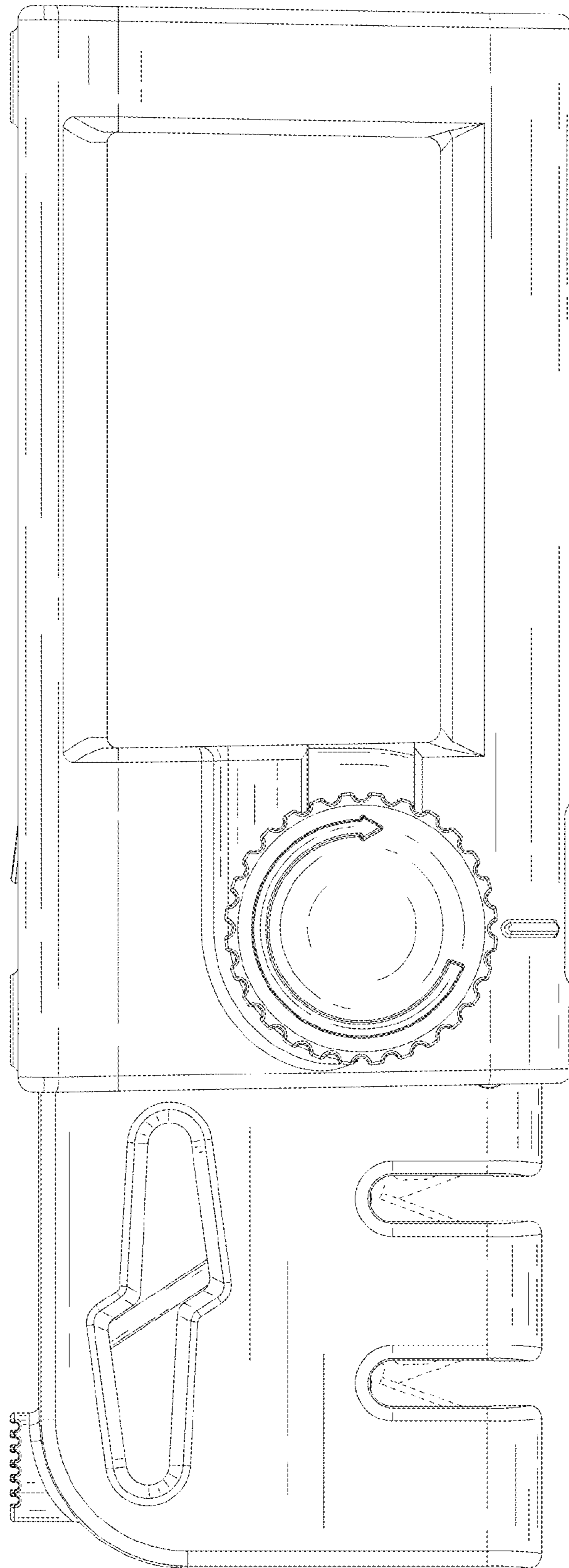


FIG. 3

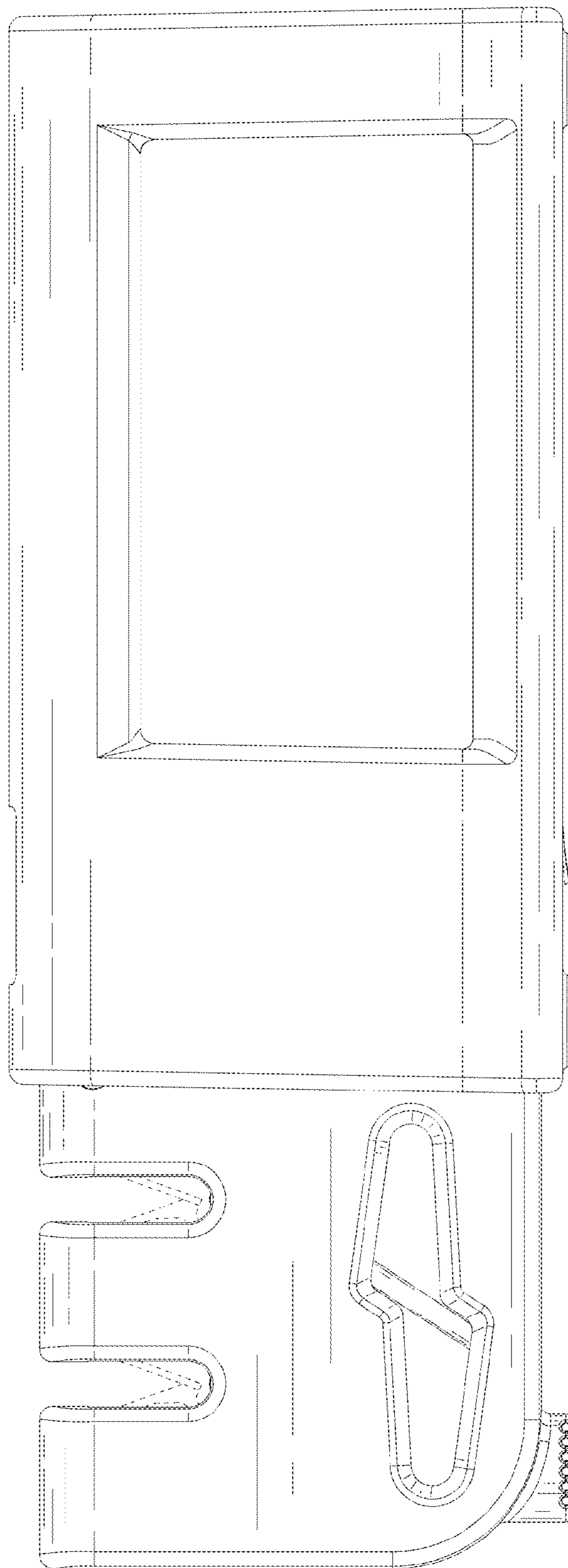


FIG. 4

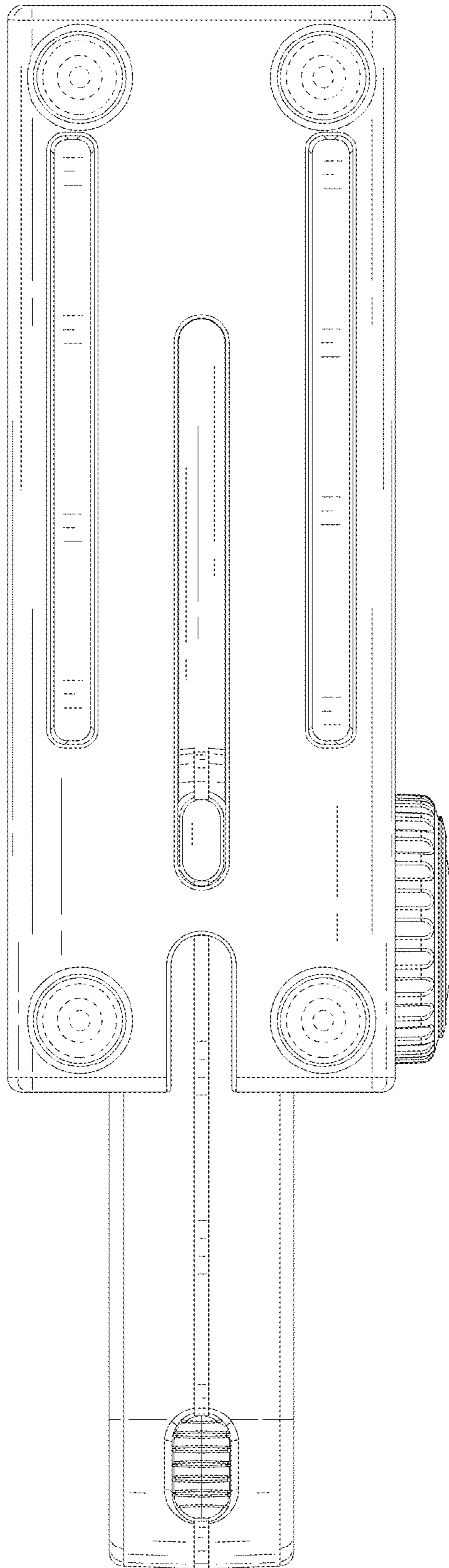


FIG. 5

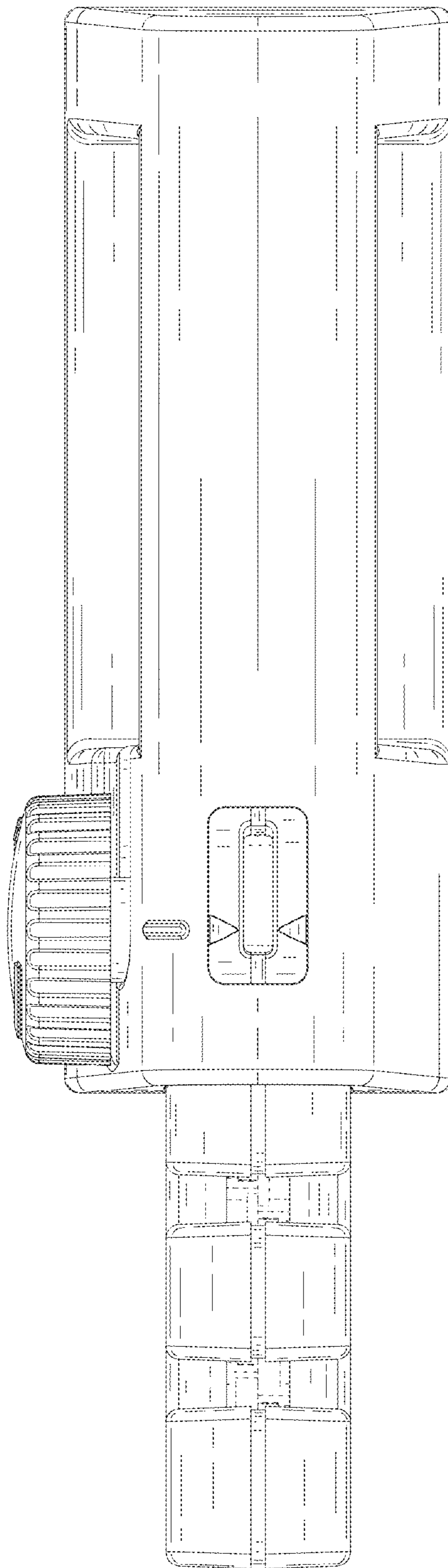


FIG. 6

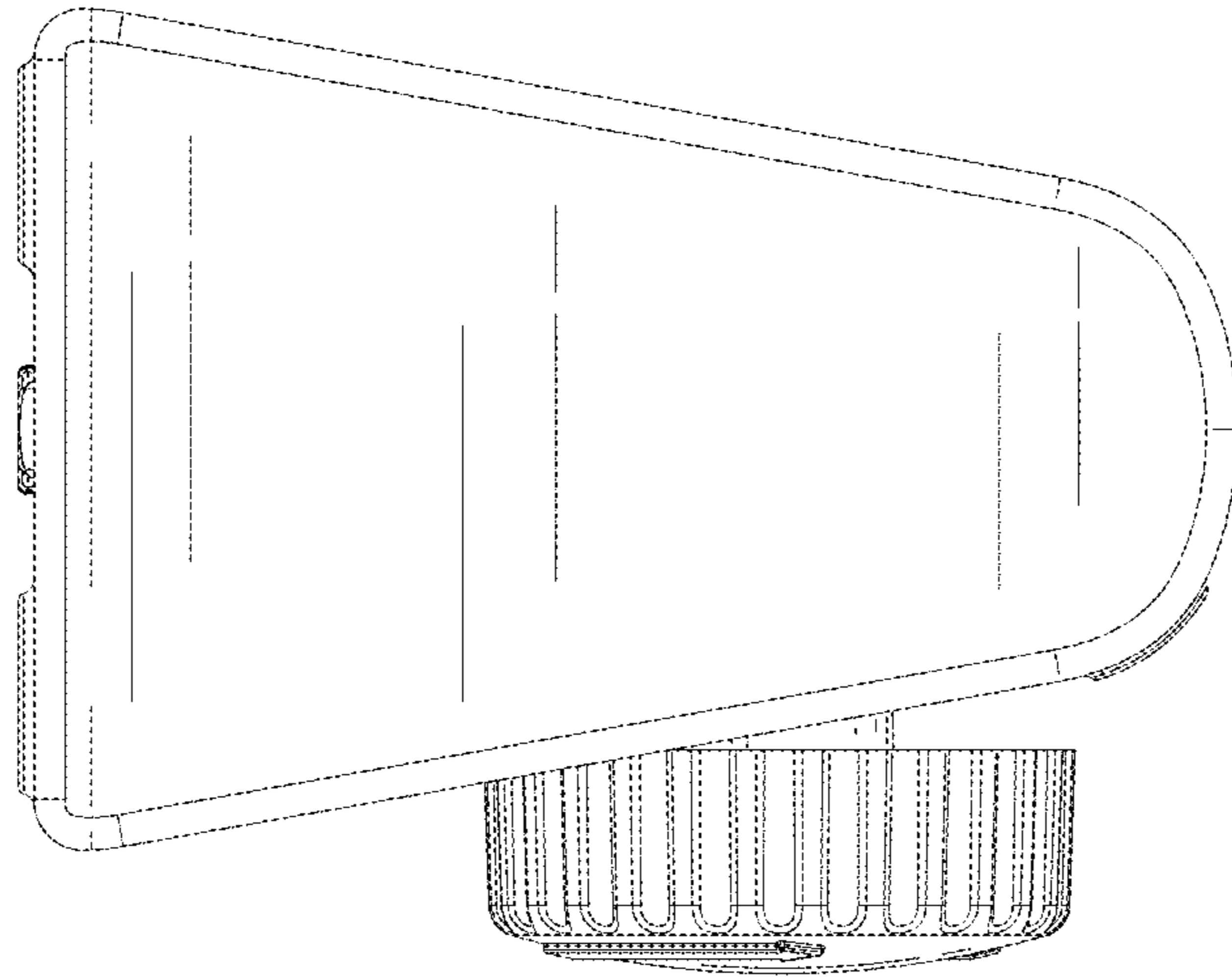


FIG. 7

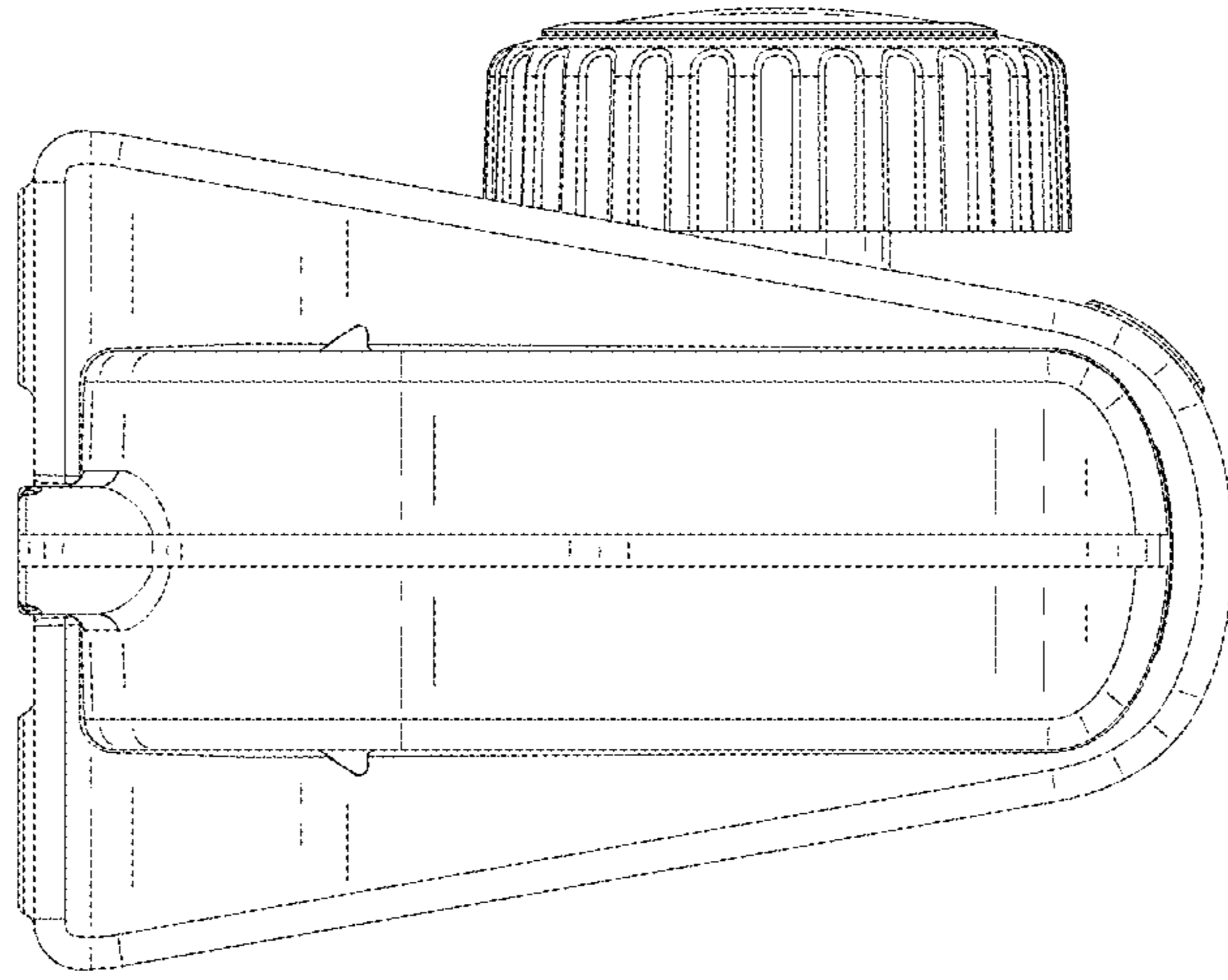


FIG. 8

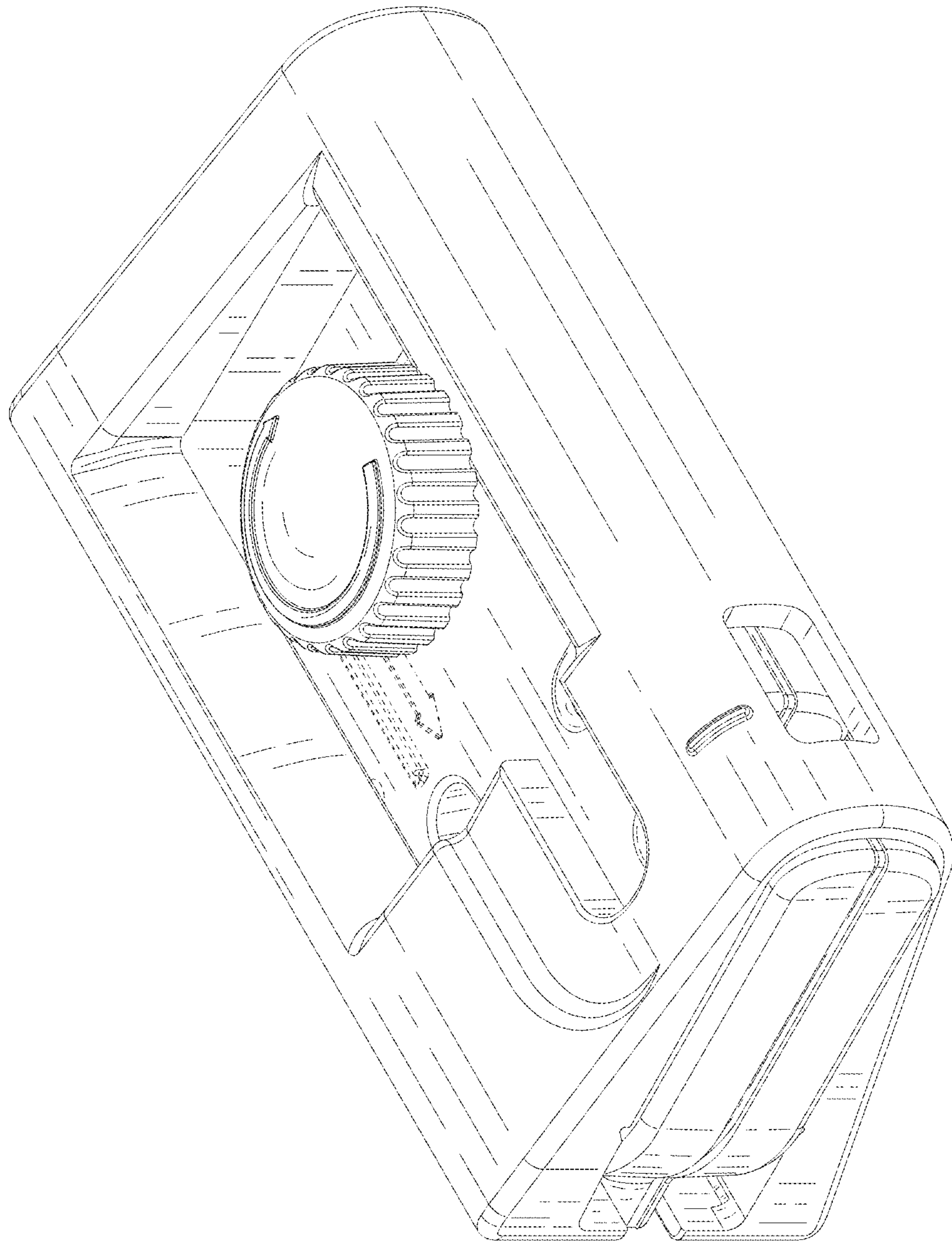


FIG. 9