



US00D976668S

(12) **United States Design Patent**
Li

(10) **Patent No.:** **US D976,668 S**

(45) **Date of Patent:** **** Jan. 31, 2023**

(54) **KNIFE SHARPENER**

(71) Applicant: **Jihui Li**, Yangjiang (CN)

(72) Inventor: **Jihui Li**, Yangjiang (CN)

(**) Term: **15 Years**

(21) Appl. No.: **29/854,051**

(22) Filed: **Sep. 21, 2022**

(51) **LOC (14) Cl.** **08-05**

(52) **U.S. Cl.**
USPC **D8/93**

(58) **Field of Classification Search**
USPC D8/63, 90, 91, 92, 93
CPC B24B 3/54; B24B 3/36; B24B 3/58; B24B
3/00; B24B 23/08; B24D 15/00; B24D
15/06; B24D 15/063; B24D 15/08; B24D
15/081

See application file for complete search history.

(56) **References Cited**

U.S. PATENT DOCUMENTS

D526,876 S *	8/2006	Smith	D8/93
D587,088 S *	2/2009	Smith	D8/93
D587,551 S *	3/2009	Friel, Sr.	D8/93
D603,679 S *	11/2009	Smith	D8/93
D604,134 S *	11/2009	Smith	D8/93
D604,135 S *	11/2009	Smith	D8/93
D626,397 S *	11/2010	Smith	D8/93
D629,273 S *	12/2010	Friel, Sr.	D8/93

D640,116 S *	6/2011	Smith	D8/93
D673,833 S *	1/2013	Kay	D8/93
D680,846 S *	4/2013	Smith	D8/93
D680,847 S *	4/2013	Smith	D8/93
D894,710 S *	9/2020	Li	D8/93
D898,538 S *	10/2020	Liu	D8/93
D924,652 S *	7/2021	Guo	D8/93
D928,581 S *	8/2021	Hong	
D962,033 S *	8/2022	Li	D8/93
D967,688 S *	10/2022	Li	D8/93
2016/0207171 A1 *	7/2016	Weiner	B24D 15/082

* cited by examiner

Primary Examiner — Philip S Hyder

(74) *Attorney, Agent, or Firm* — Georgi Korobanov

(57) **CLAIM**

The ornamental design for a knife sharpener, as shown and described.

DESCRIPTION

FIG. 1 is a bottom, rear perspective view of a knife sharpener, showing my new design;

FIG. 2 is a top, front perspective view thereof;

FIG. 3 is a rear elevation view thereof;

FIG. 4 is a front elevation view thereof;

FIG. 5 is a bottom plan view thereof;

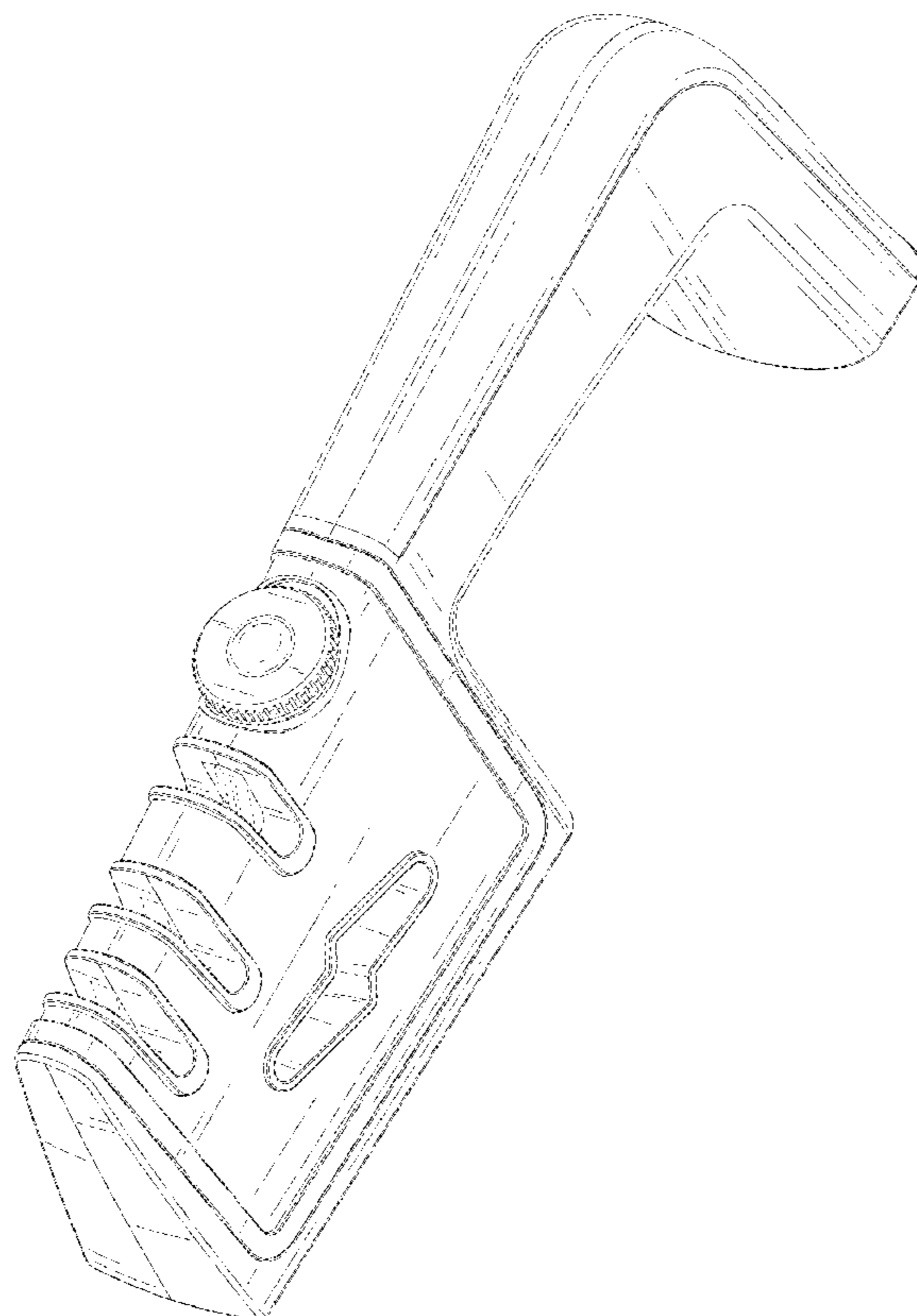
FIG. 6 is a top plan view thereof;

FIG. 7 is a right end elevation view thereof; and,

FIG. 8 is a left end elevation view thereof.

The broken lines shown in the drawings illustrate portions of the knife sharpener that form no part of the claimed design.

1 Claim, 8 Drawing Sheets



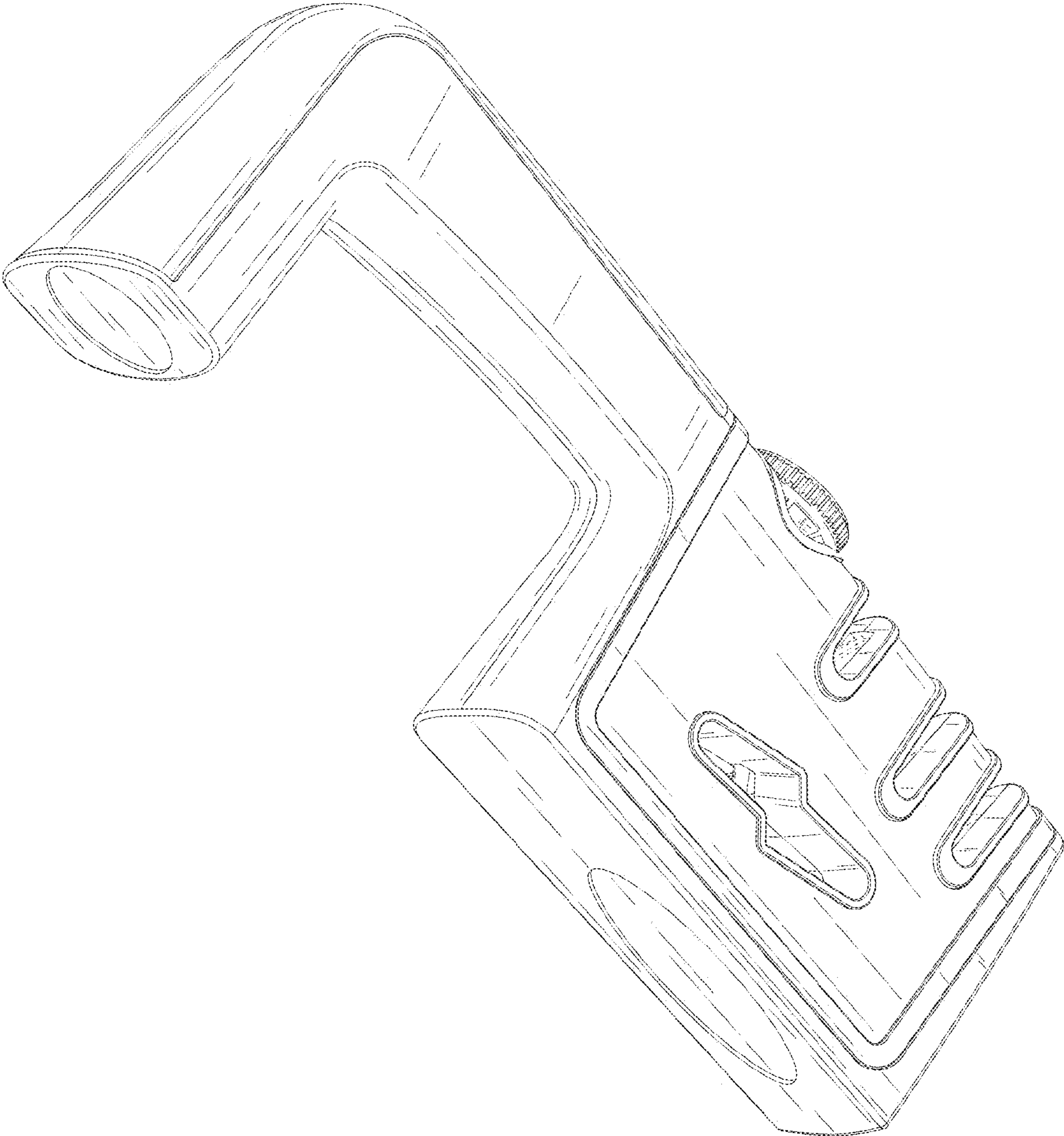


FIG. 1

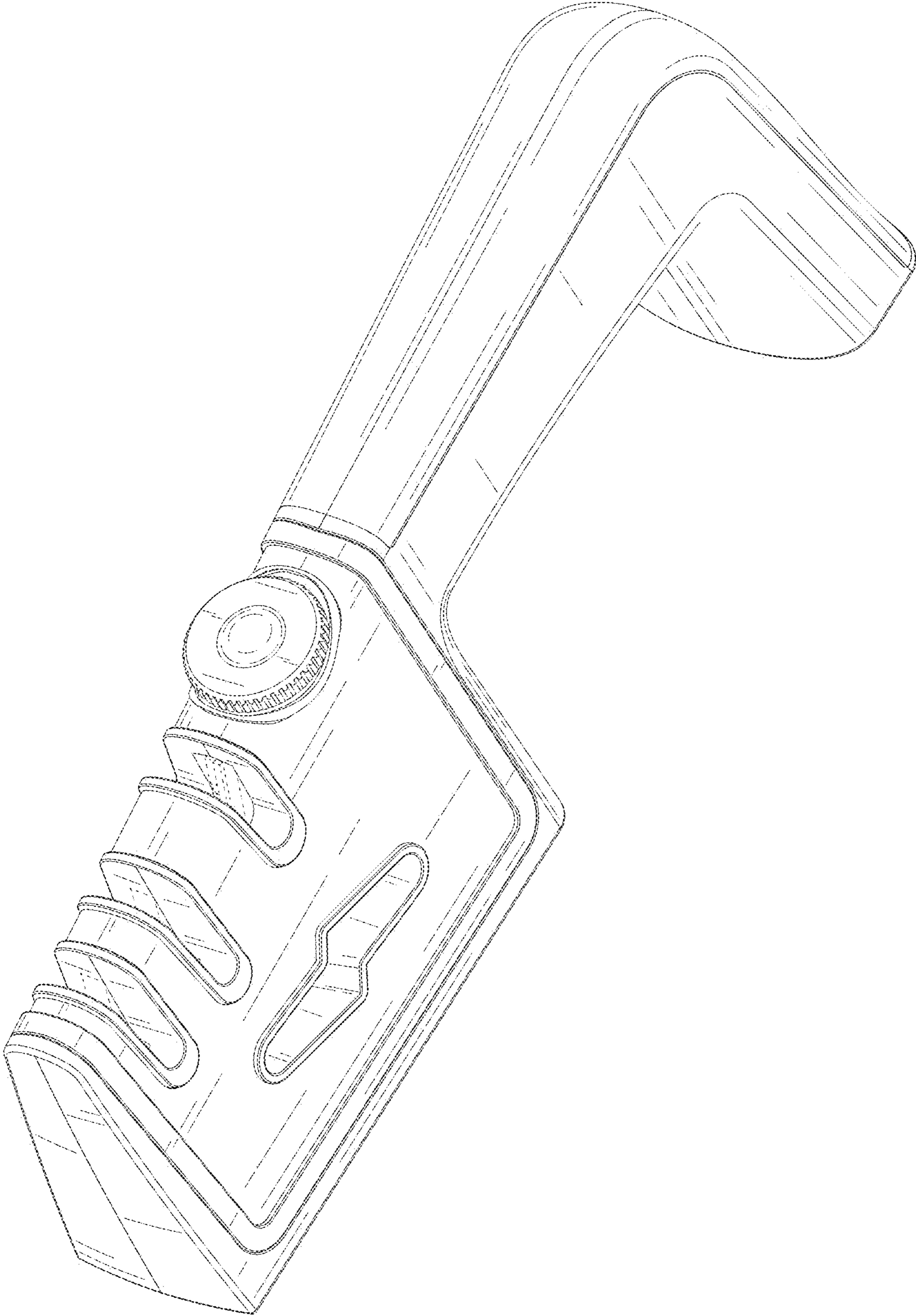


FIG. 2

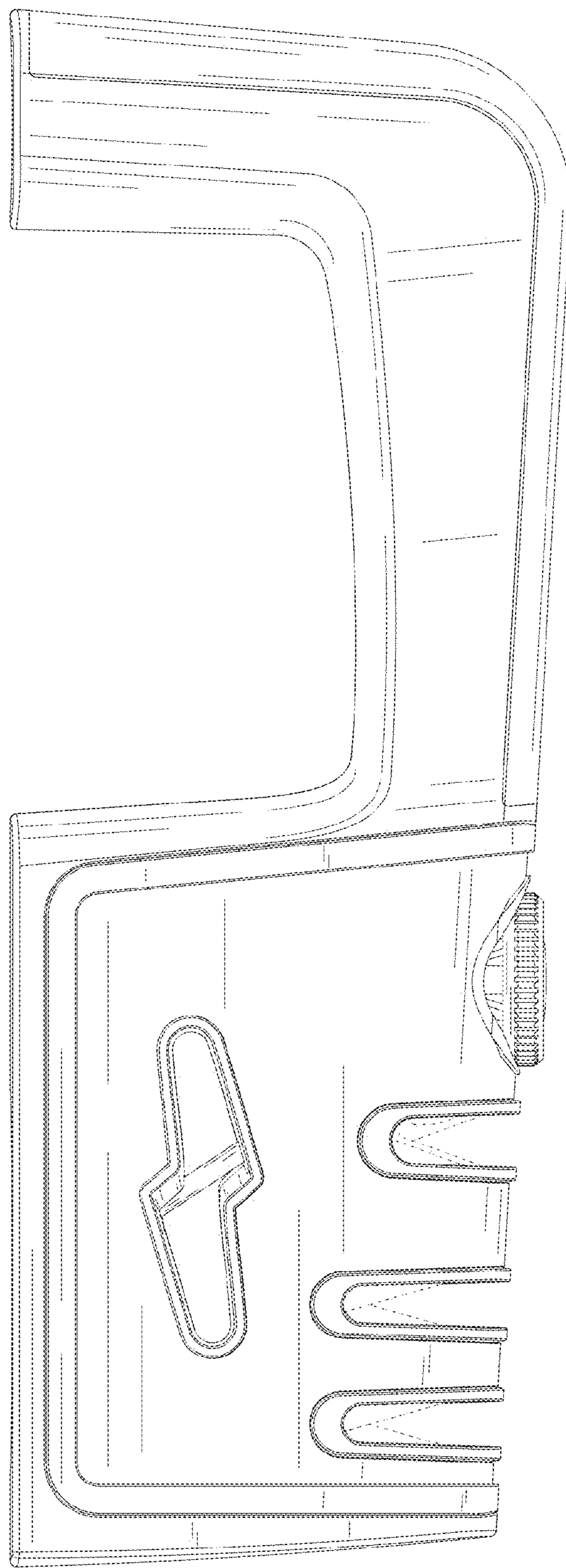


FIG. 3

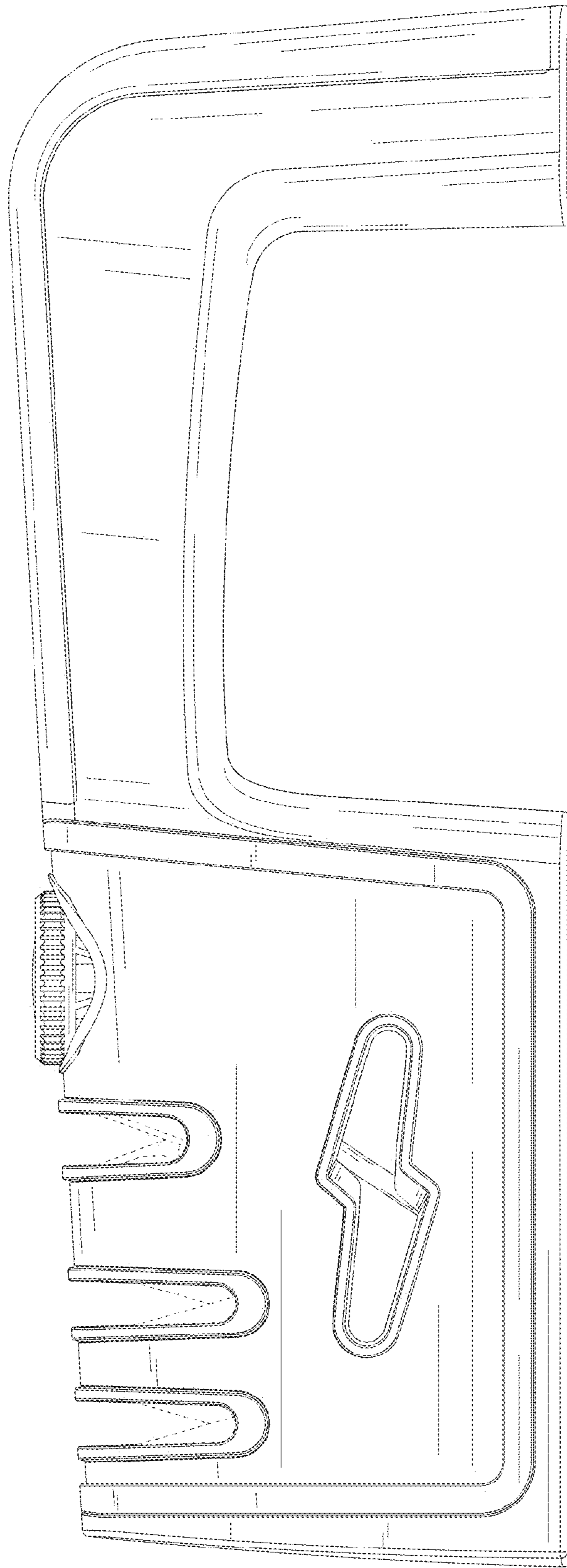


FIG. 4

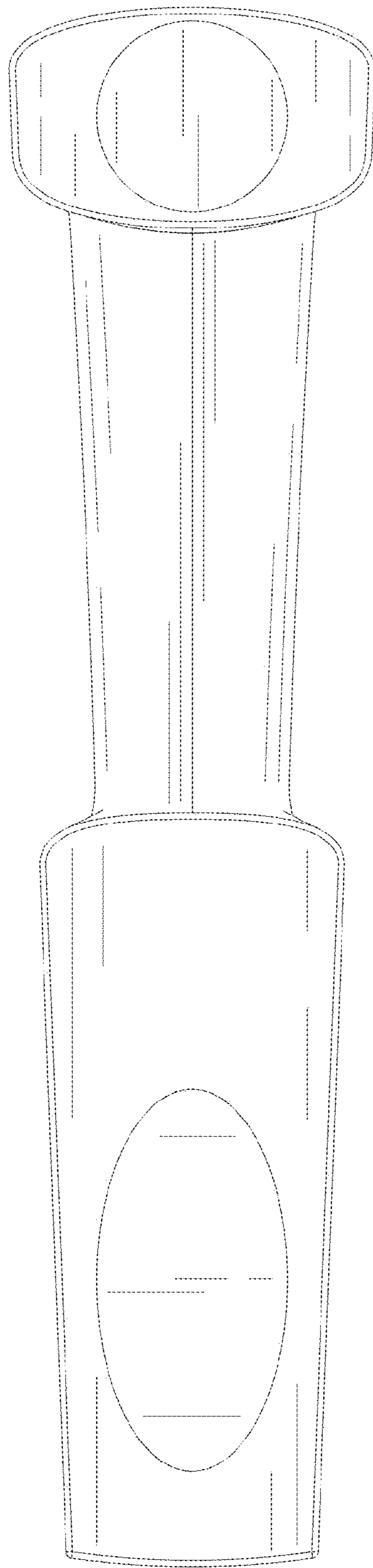


FIG. 5

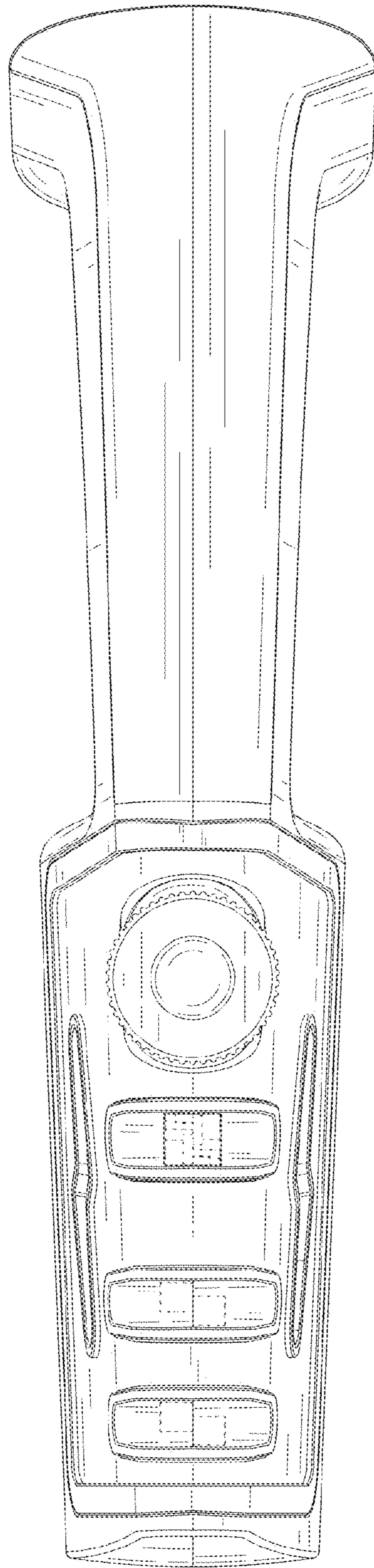


FIG. 6

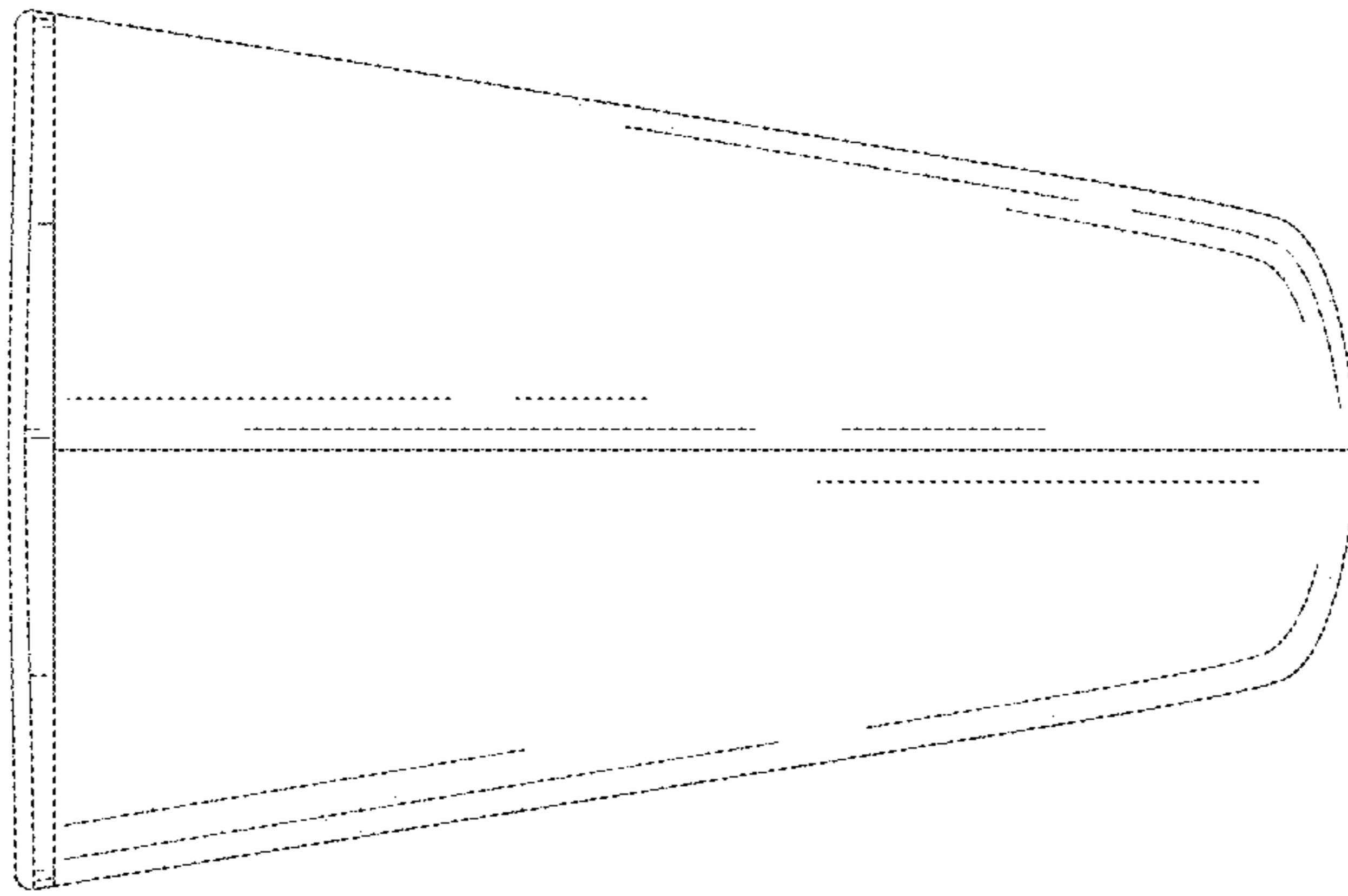


FIG. 7

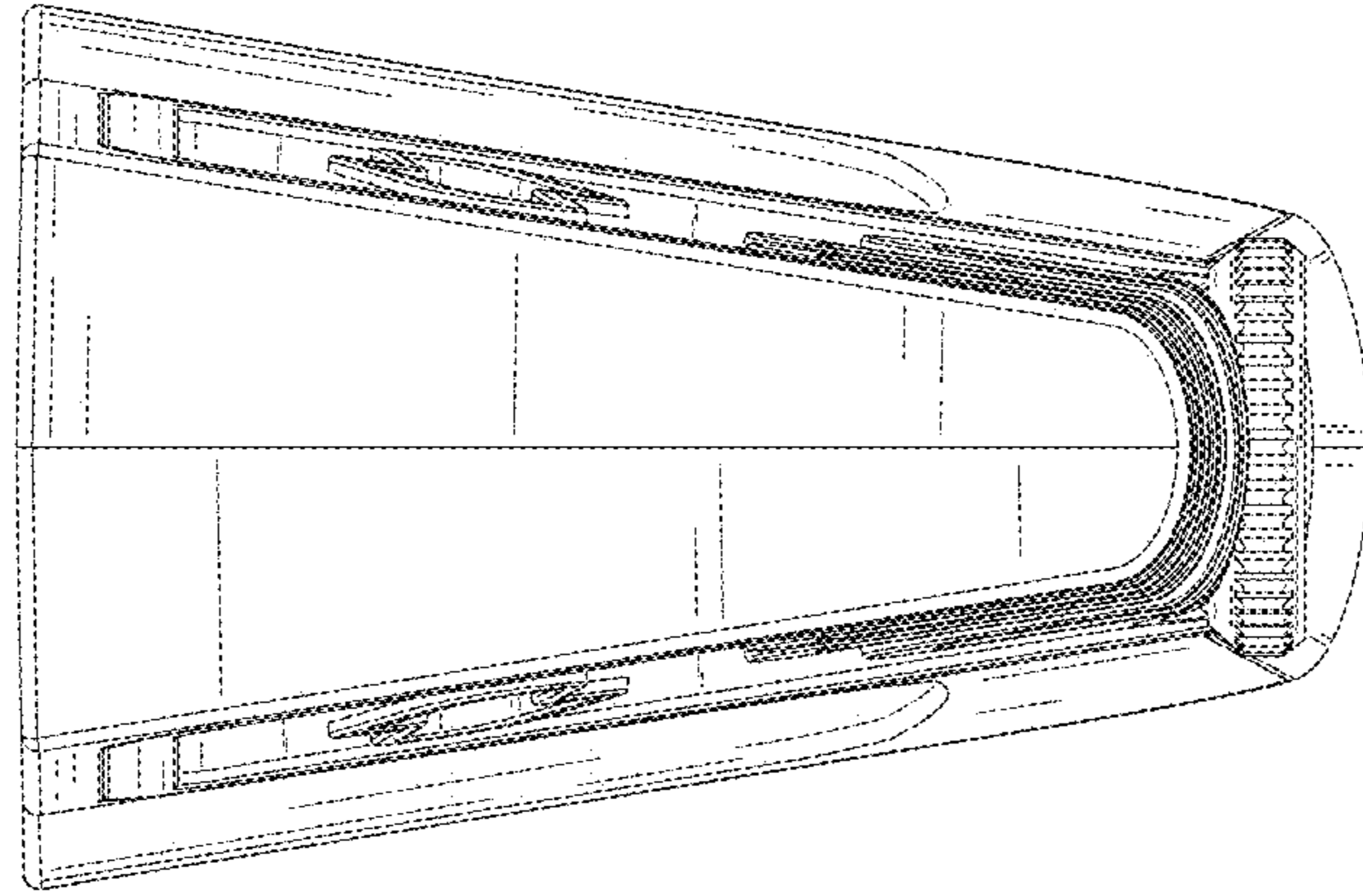


FIG. 8