



US00D976665S

(12) **United States Design Patent** (10) **Patent No.:** **US D976,665 S**
Rapp (45) **Date of Patent:** **** Jan. 31, 2023**

(54) **ELECTRICAL PLIERS WITH DEBURRING FEATURE**

4,229,849 A * 10/1980 Theiler, Sr. B25B 7/22
7/107
D421,376 S * 3/2000 Neff D8/58
D461,108 S * 8/2002 Herzog D8/52

(71) Applicant: **Rein Patrick Rapp**, Redondo Beach, CA (US)

(Continued)

(72) Inventor: **Rein Patrick Rapp**, Redondo Beach, CA (US)

FOREIGN PATENT DOCUMENTS

(**) Term: **15 Years**

CN 307290328 * 4/2022
CN 307290342 * 4/2022
CN 307334953 * 5/2022

(21) Appl. No.: **29/739,830**

OTHER PUBLICATIONS

(22) Filed: **Jun. 29, 2020**

Multifunctional electrical tools AN-04WFL 0.5-4mm2 science and the principle of manual pressing tool, Google.com, [online], [site visited May 20, 2022], Available from internet URL: <https://www.aliexpress.com/item/2251832438083197.html?gatewayAdapt=4itemAdapt> (Year: NA) (Year: NA).*

(51) **LOC (14) Cl.** **08-05**

(52) **U.S. Cl.**
USPC **D8/55**

(58) **Field of Classification Search**
USPC D8/34, 55, 51-2, 21-26, 75, 105-7;
D24/107
CPC B25F 1/006; H01R 43/0421; B25B 7/02;
B25B 7/22; B25C 3/006

(Continued)

Primary Examiner — Susan Bennett Hattan
Assistant Examiner — Rozita Mozaffarian
(74) *Attorney, Agent, or Firm* — E J Asbury III, LLC

See application file for complete search history.

(56) **References Cited**

(57) **CLAIM**

The ornamental design for electrical pliers with deburring feature, as shown and described.

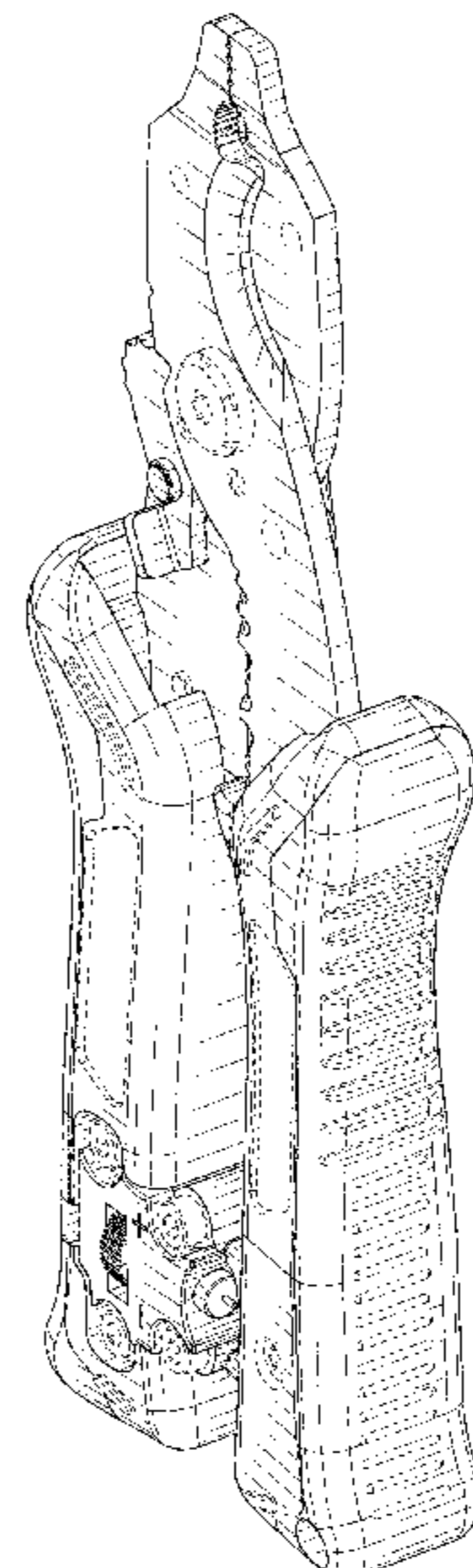
U.S. PATENT DOCUMENTS

DESCRIPTION

D188,392 S * 7/1960 Crimmins D8/58
3,058,377 A * 10/1962 Hardt H02G 1/1214
30/91.2
D213,848 S * 4/1969 Hindenburg D8/58
3,525,107 A * 8/1970 Hays H01R 43/042
72/409.13
3,777,323 A * 12/1973 Ingram H02G 1/1214
D8/58
3,947,905 A * 4/1976 Neff H02G 1/1214
7/107
4,028,756 A * 6/1977 Couto H01R 43/042
30/90.1
D245,752 S * 9/1977 Wiener D8/58
4,225,990 A * 10/1980 Theiler, Sr. H01R 43/0421
30/90.1

FIG. 1 is a front, left, and top perspective view of electrical pliers with deburring feature;
FIG. 2 is a front view thereof;
FIG. 3 is a back view thereof;
FIG. 4 is a right side view thereof;
FIG. 5 is a left side view thereof;
FIG. 6 is a top view thereof; and,
FIG. 7 is a bottom view thereof.
The broken lines shown in FIGS. 1-7 illustrate features of the electrical pliers with deburring feature that form no part of the claimed design.

1 Claim, 5 Drawing Sheets



(56)

References Cited

U.S. PATENT DOCUMENTS

6,619,158 B2 * 9/2003 Bates H02G 1/1214
30/90.1
D485,146 S * 1/2004 Rivera D8/52
8,800,411 B2 * 8/2014 Seemangal B25F 1/006
7/137
D760,050 S * 6/2016 Liao D8/55
D828,738 S * 9/2018 Constantine D8/52
D948,977 S * 4/2022 Cai D8/55
D950,336 S * 5/2022 Chen D8/55
2003/0177587 A1 * 9/2003 Wang H02G 1/005
7/107
2011/0113564 A1 * 5/2011 Liao H02G 1/1224
30/90.1
2015/0295391 A1 * 10/2015 Liao H02G 1/1224
7/107

OTHER PUBLICATIONS

Klein Tools 3005CR Ratcheting Crimper, 10-22 AWG—Insulated Terminals, Google.com, [online], [site visited May 20, 2022], Available from internet URL: <https://www.jensentools.com/klein-tools-3005cr-ratcheting-crimper-10-22-awg-insulated-terminals/p/10034343?gclid> (Year: NA) (Year: NA).*

* cited by examiner

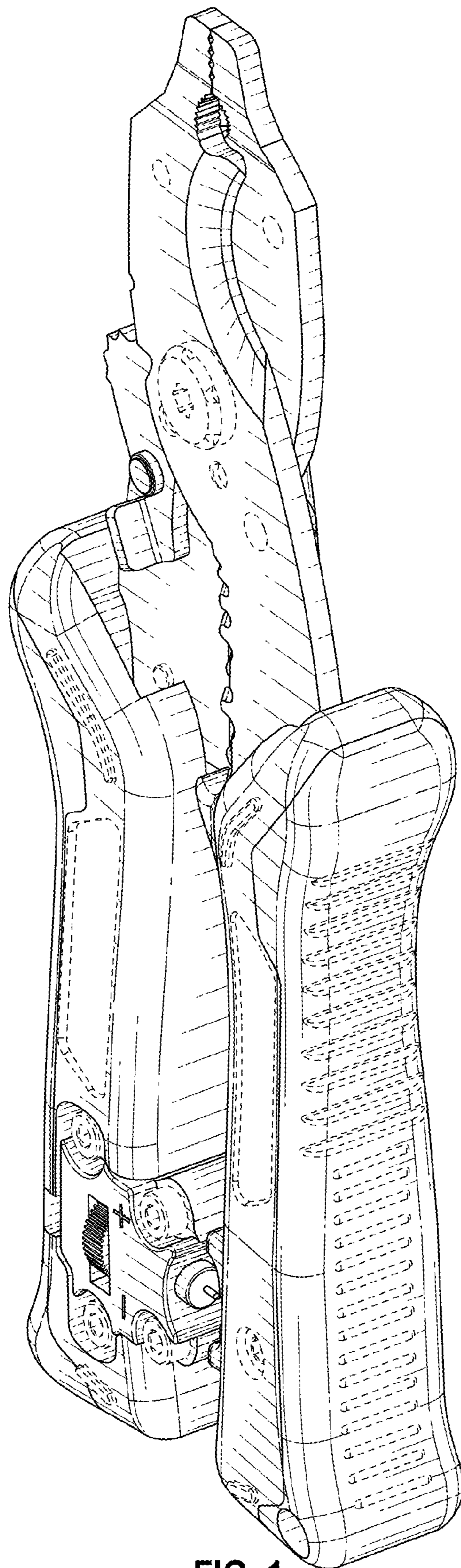


FIG. 1

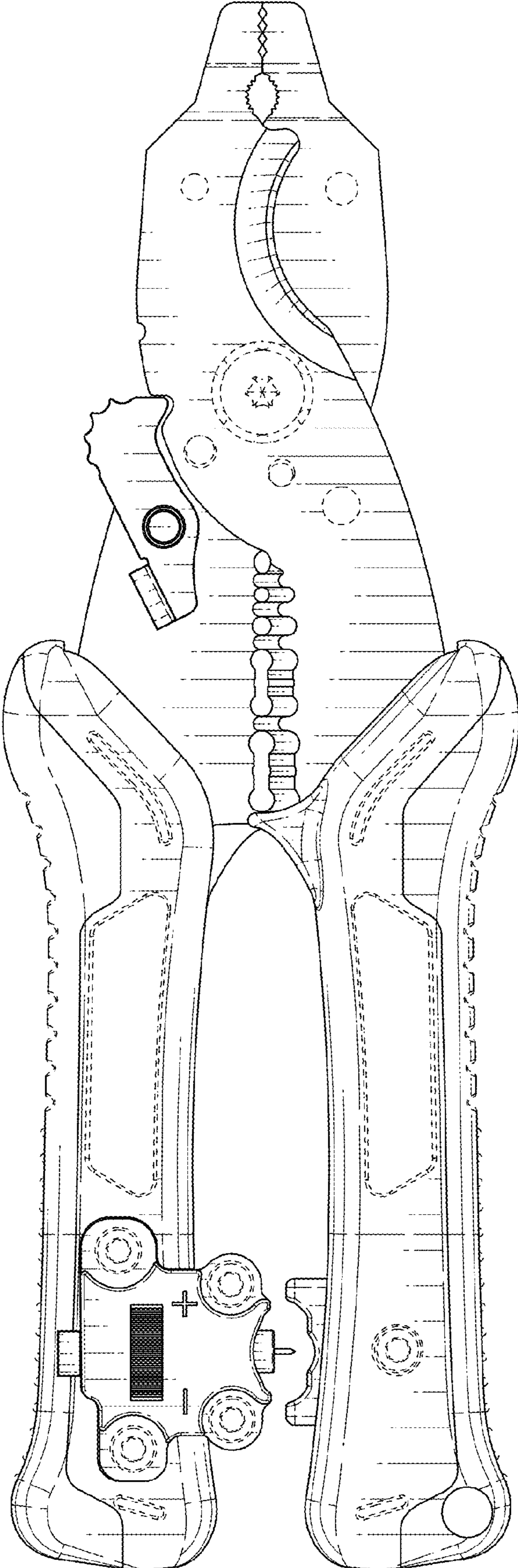


FIG. 2

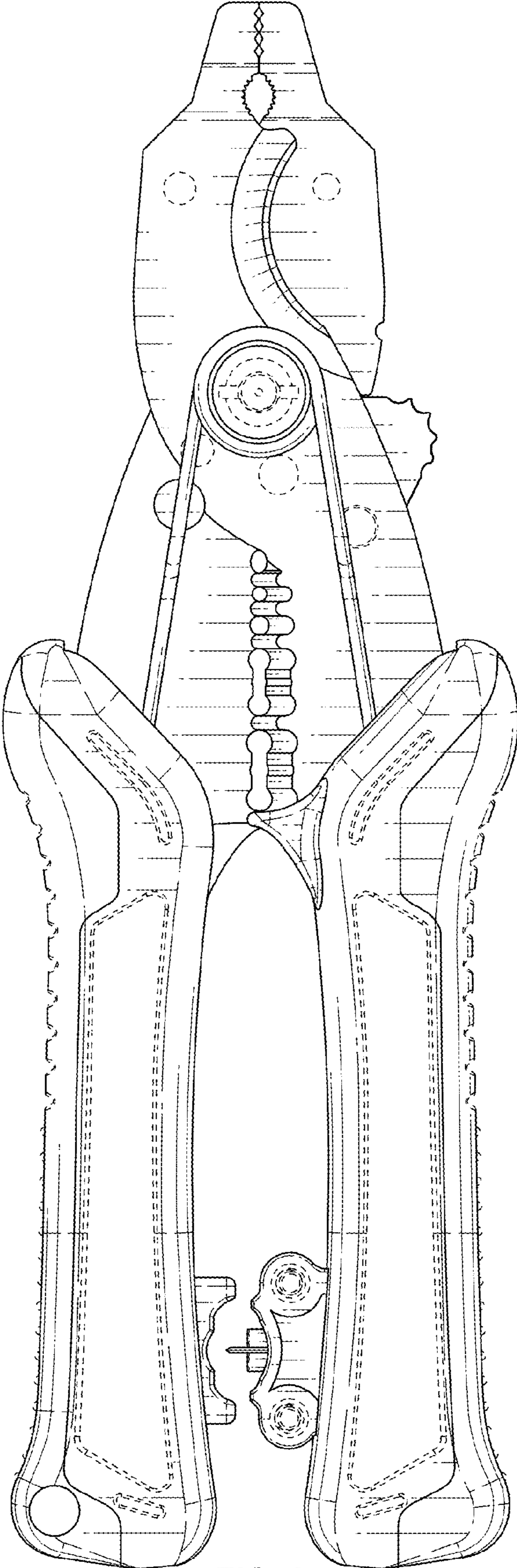


FIG. 3

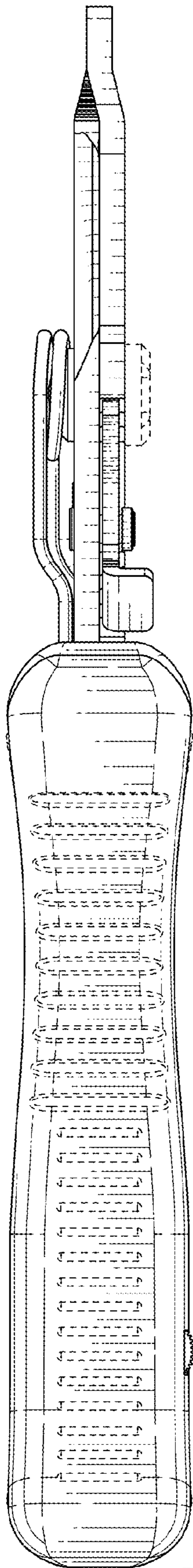


FIG. 4

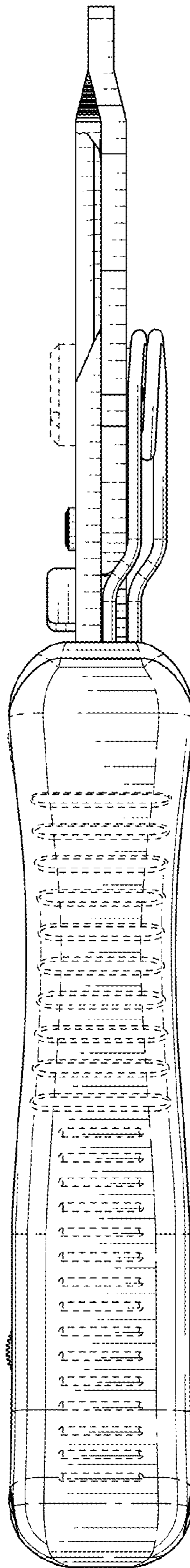


FIG. 5

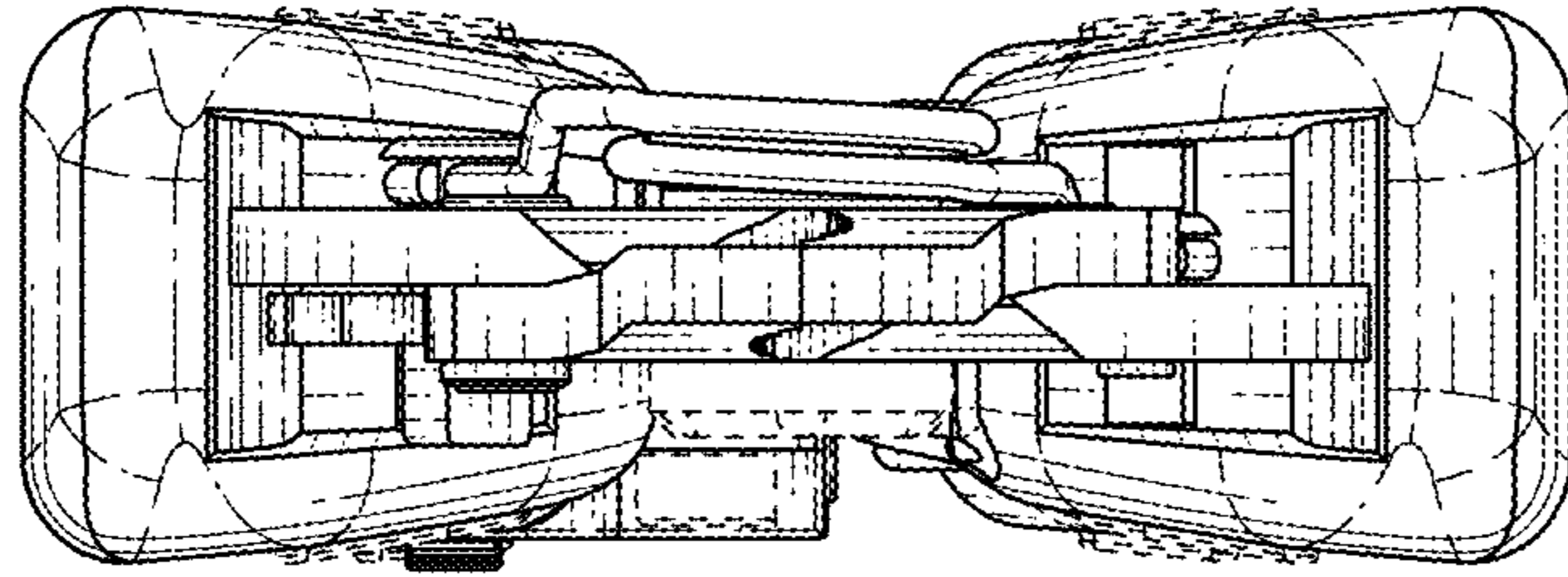


FIG. 6

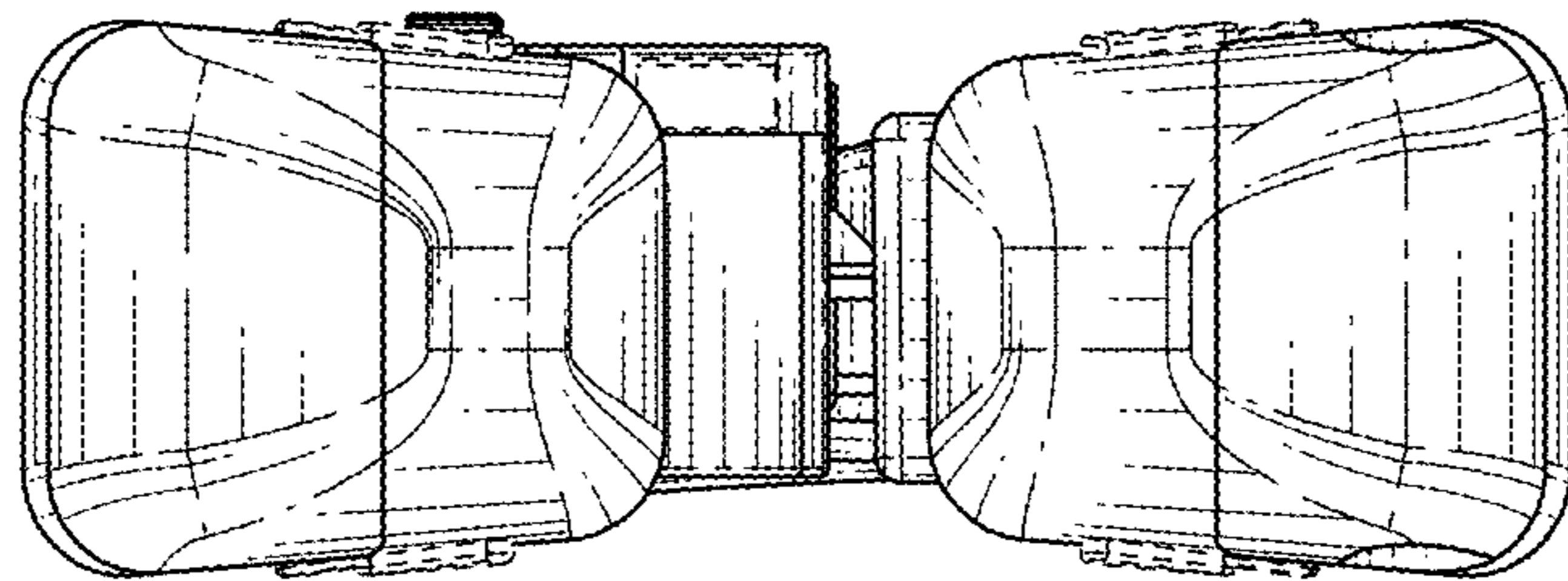


FIG. 7