



US00D97664S

(12) **United States Design Patent**
Chen

(10) **Patent No.:** **US D976,664 S**
(45) **Date of Patent:** **** Jan. 31, 2023**

- (54) **ROTARY REAMER**
- (71) Applicants: **Yuhuan Dingli Tools Co., Ltd.**, Yuhuan (CN); **Zhejiang Iwiss Electric Co., Ltd.**, Yueqing (CN)
- (72) Inventor: **Xusheng Chen**, Yuhuan (CN)
- (**) Term: **15 Years**
- (21) Appl. No.: **29/789,192**
- (22) Filed: **Sep. 8, 2021**
- (51) **LOC (14) Cl.** **08-05**
- (52) **U.S. Cl.**
USPC **D8/52; D15/123**
- (58) **Field of Classification Search**
USPC D8/23, 27, 32, 40, 52, 54, 67, 499;
D15/122, 123, 139
CPC B25B 13/10; B25B 13/463; B25B 13/48
See application file for complete search history.

(56) **References Cited**

U.S. PATENT DOCUMENTS

D272,648 S *	2/1984	Bolesky	606/85
D284,734 S *	7/1986	Kurylo	D8/52
D325,507 S *	4/1992	Gasparetti	D8/52
D436,302 S *	1/2001	Lin	D8/52
D455,329 S *	4/2002	Renner	D8/52
D786,645 S *	5/2017	Svendsen	D15/139
D830,145 S *	10/2018	Lin	D8/52
D905,770 S *	12/2020	Klamm	D15/139
D940,311 S *	1/2022	Sweitzer	D24/133

OTHER PUBLICATIONS

Expansion Tool Kit; posted on iwiss.com; no posted date given; no production date given; [online]; [site visited Nov. 3, 2022]; Available from Internet; URL: <https://iwiss.com/products/pex-expansion->

tool-kit-sized-1-2-inch-3-4-inch-1-inch-auto-rotation-expander-tool-for-propex-powerpex-expansion-ring (Year: 2022).*
IWISS Rotation Expander; posted on amazon.com; first available Dec. 8, 2021; [online]; [site visited Nov. 3, 2022]; Available from Internet; URL: https://www.amazon.com/IWISS-Expansion-Rotation-Expander-PowerPEX/dp/B09C1RTLD1/ref=sxin_14_pa_sp_search_thematic_sspa?content-id=amzn1.sym.b05db705-0 (Year: 2021).*

* cited by examiner

Primary Examiner — Michael C Stout
Assistant Examiner — Fritzgerald L Butac
(74) *Attorney, Agent, or Firm* — Runit R. Kanakia

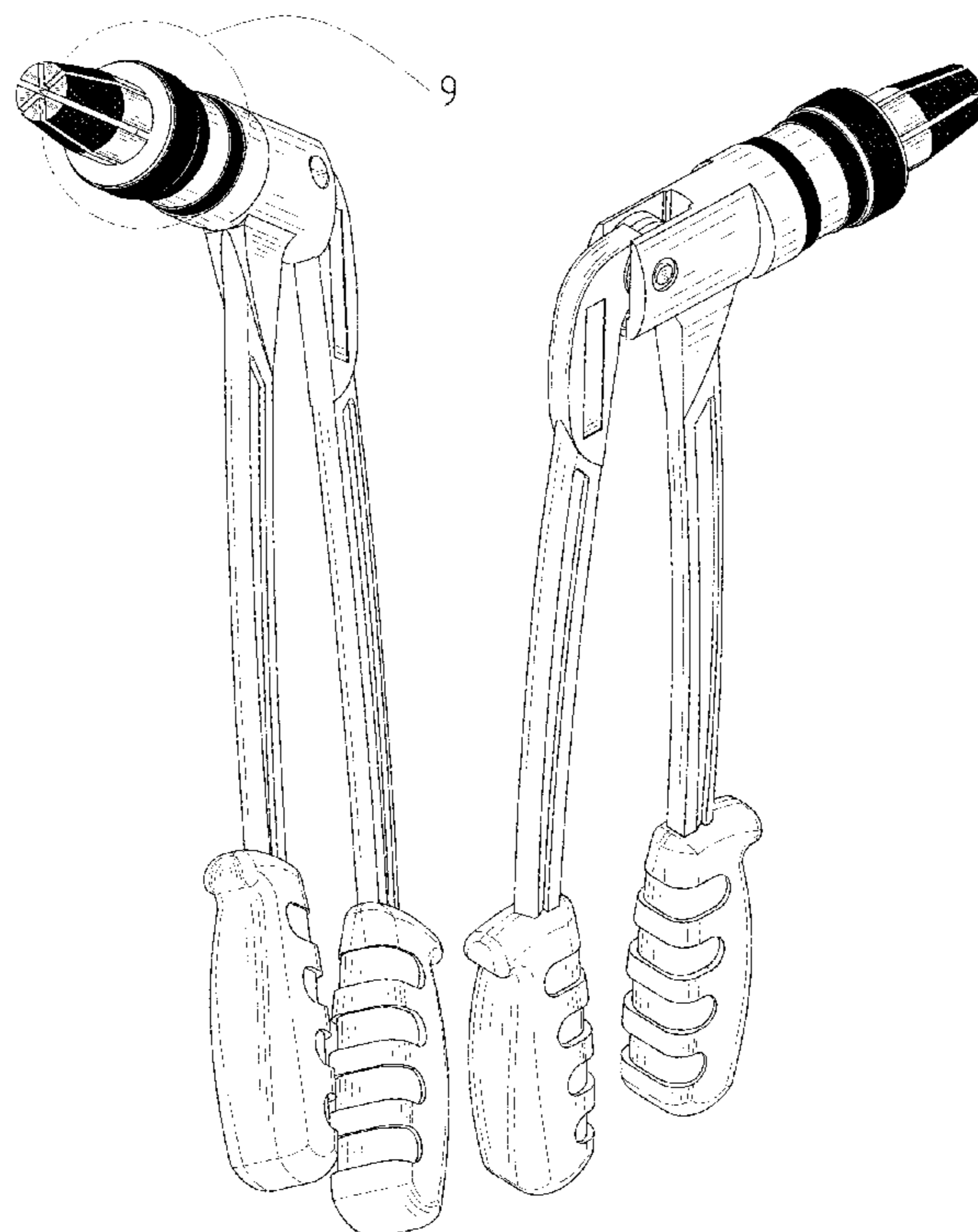
(57) **CLAIM**

The ornamental design for a rotary reamer, as shown and described.

DESCRIPTION

FIG. 1 is a first perspective view of a rotary reamer showing my new design;
FIG. 2 is a second perspective view thereof;
FIG. 3 is a front view thereof;
FIG. 4 is a back view thereof;
FIG. 5 is a left side view thereof;
FIG. 6 is a right side view thereof;
FIG. 7 is a top view thereof;
FIG. 8 is a bottom view thereof; and,
FIG. 9 is an enlarged view of the selected portion in FIG. 1.

1 Claim, 9 Drawing Sheets



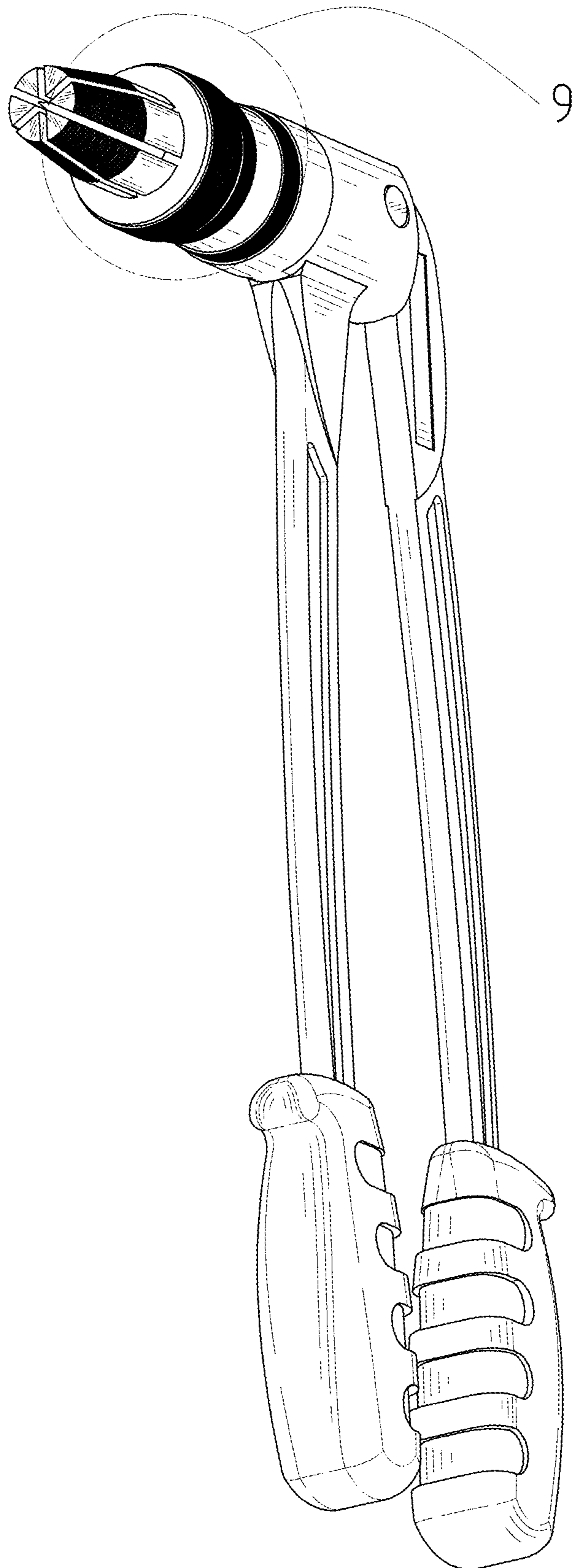


FIG. 1

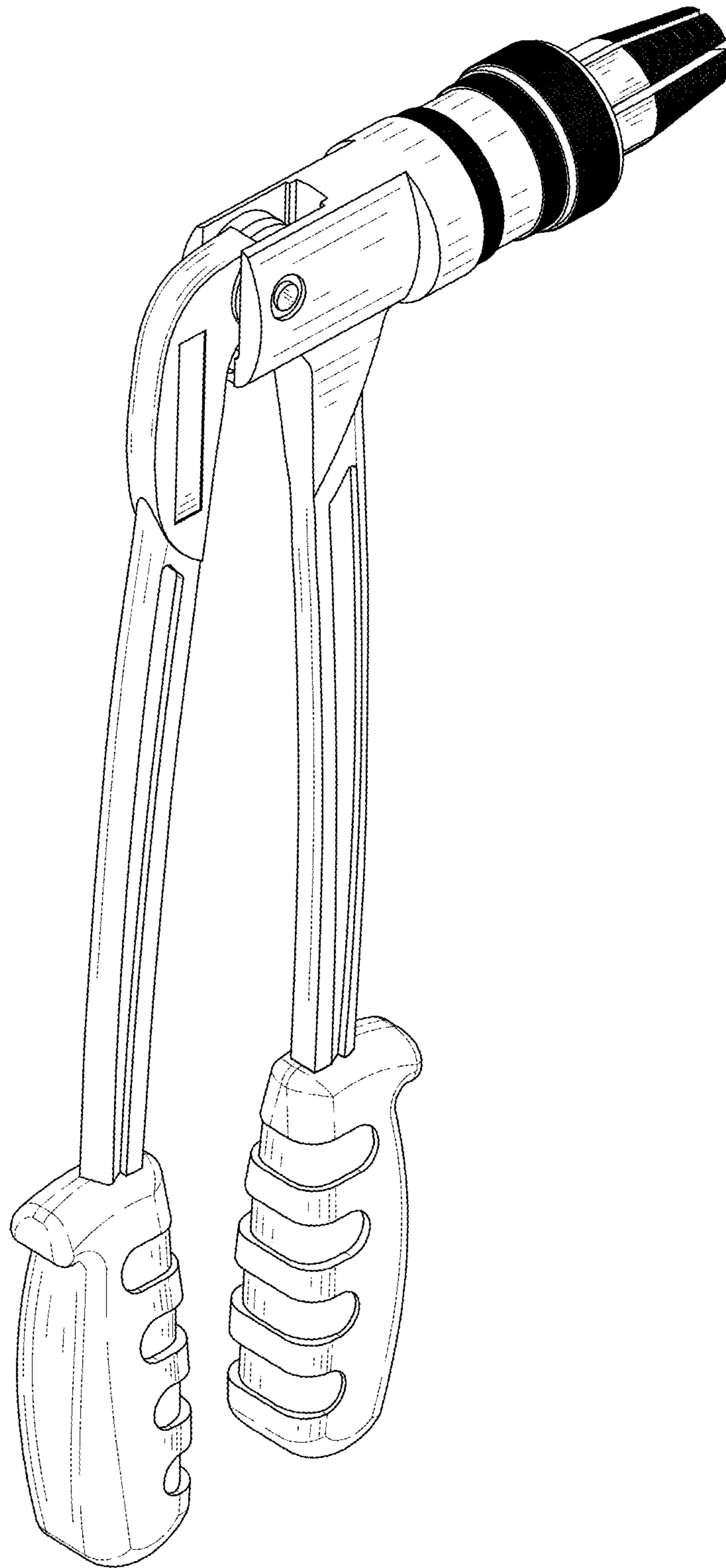


FIG. 2

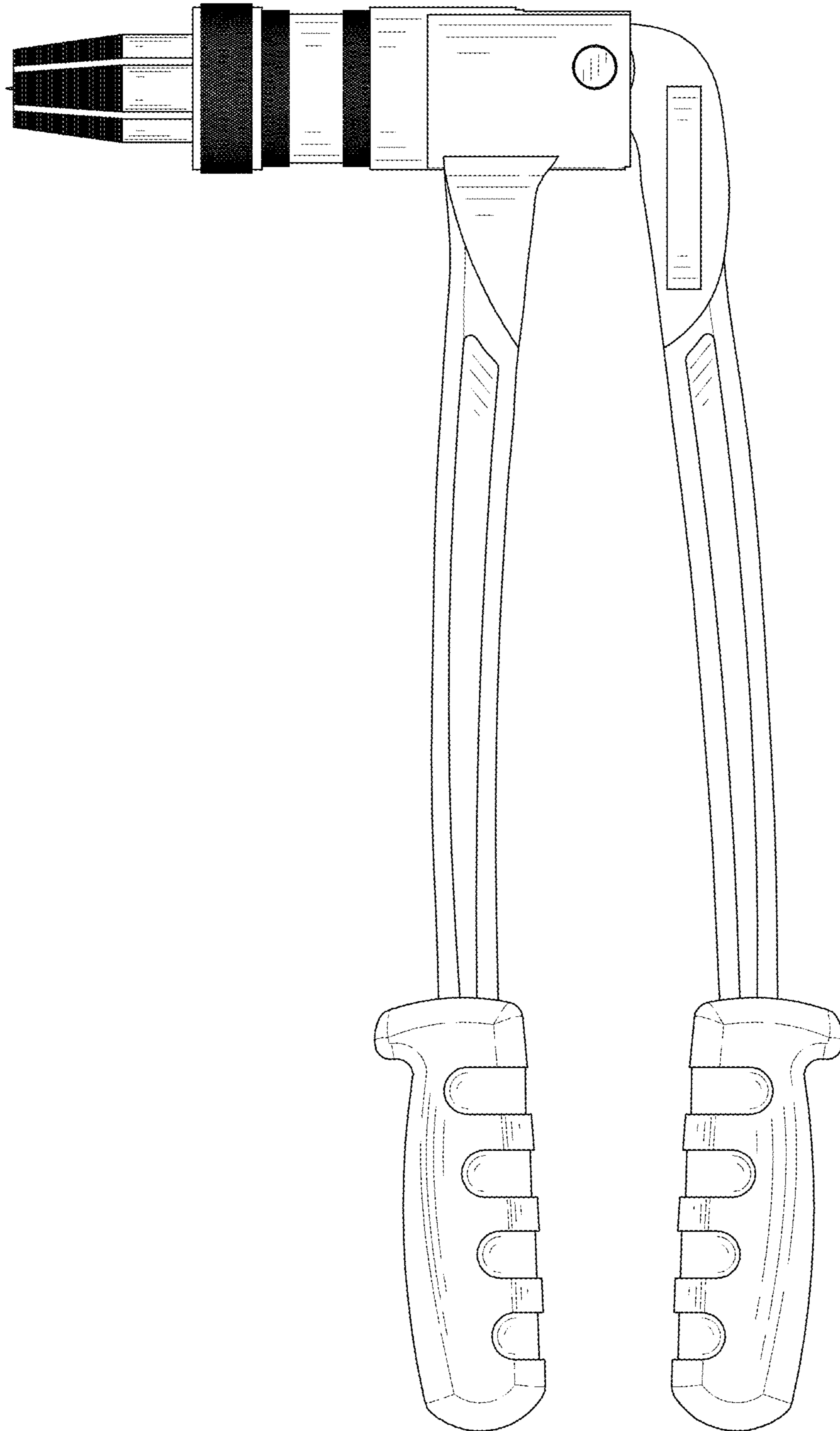


FIG. 3

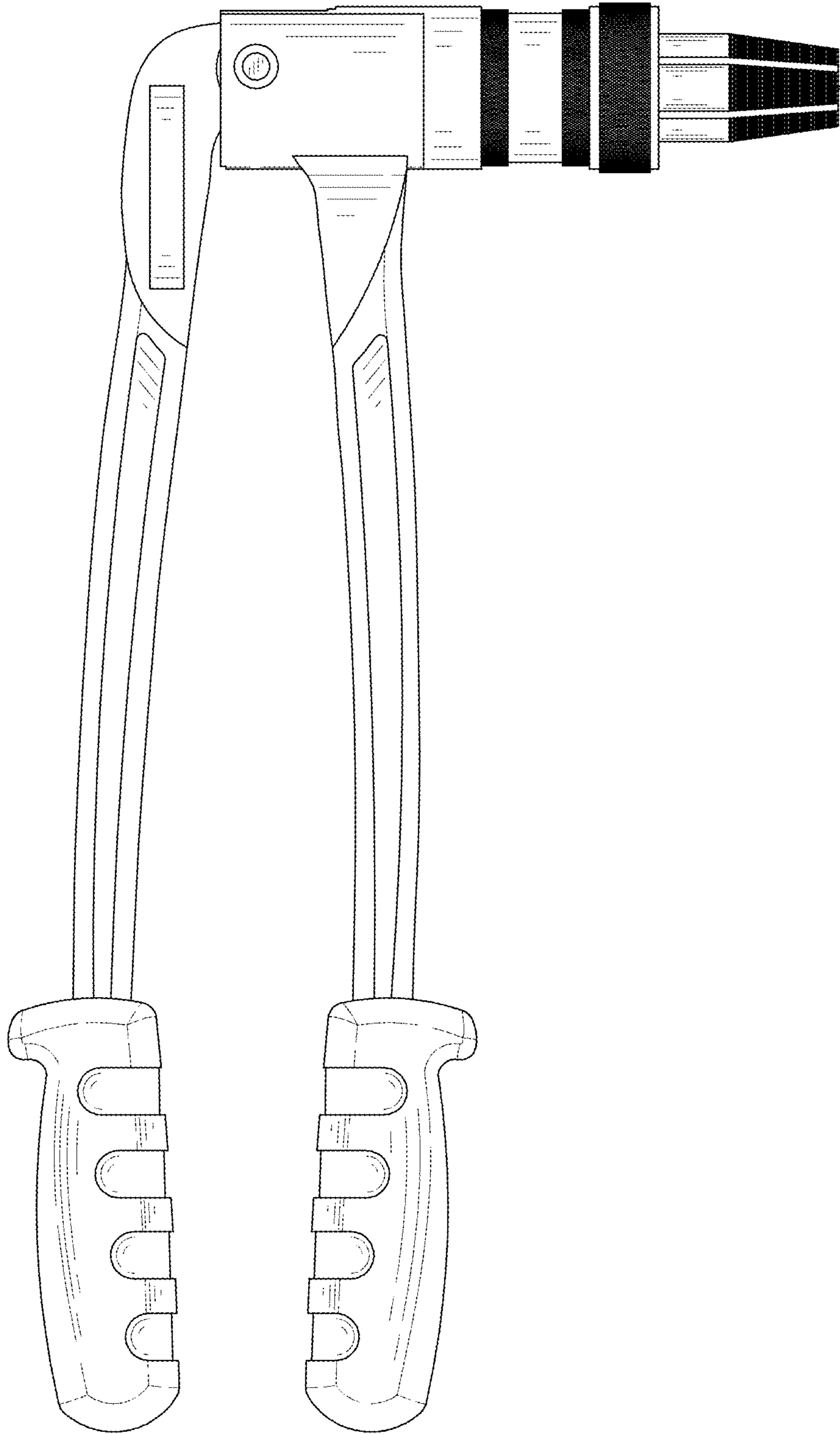


FIG. 4

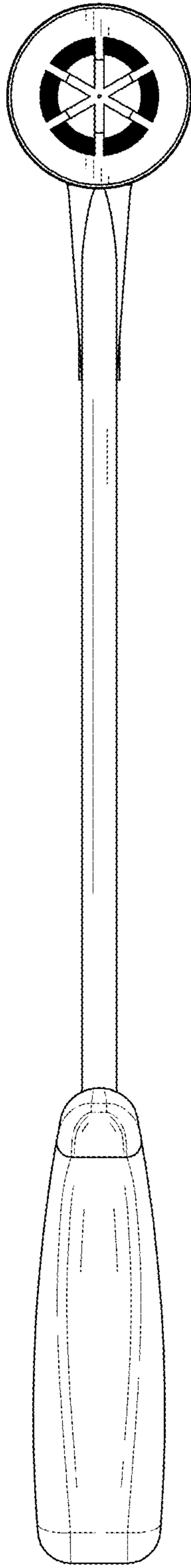


FIG. 5

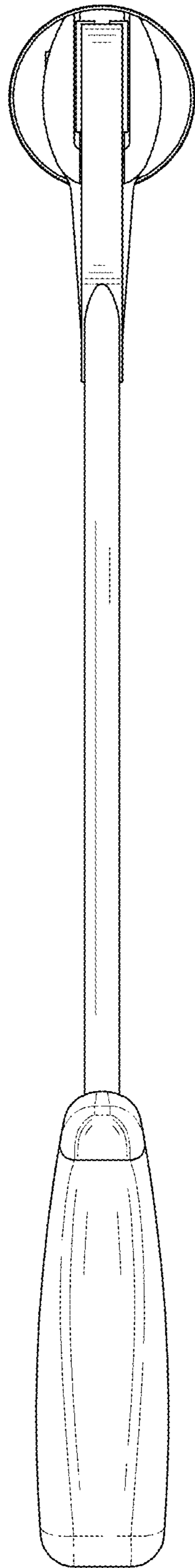


FIG. 6

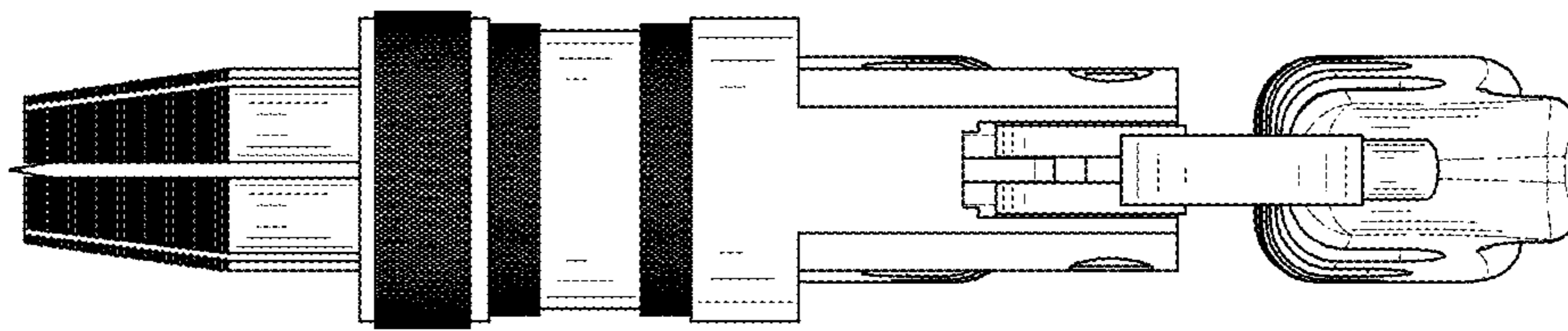


FIG. 7

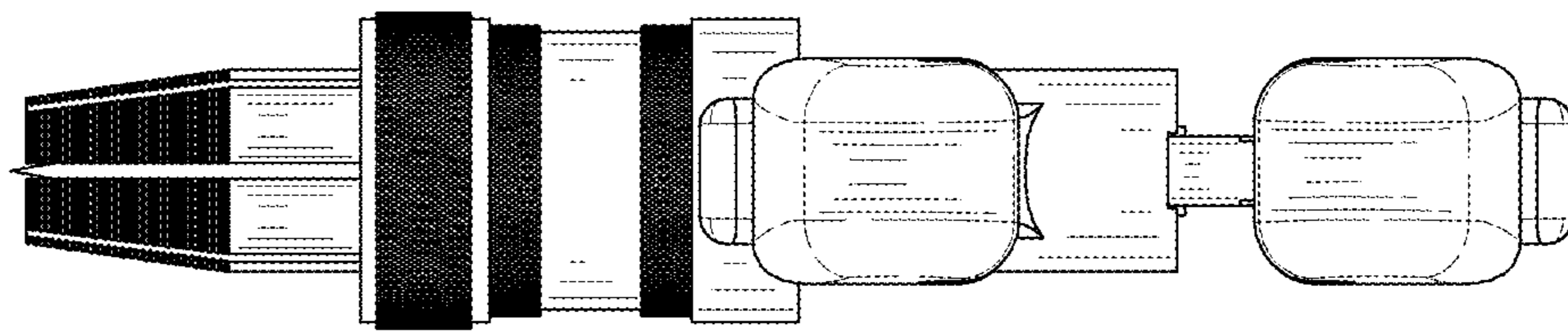


FIG. 8

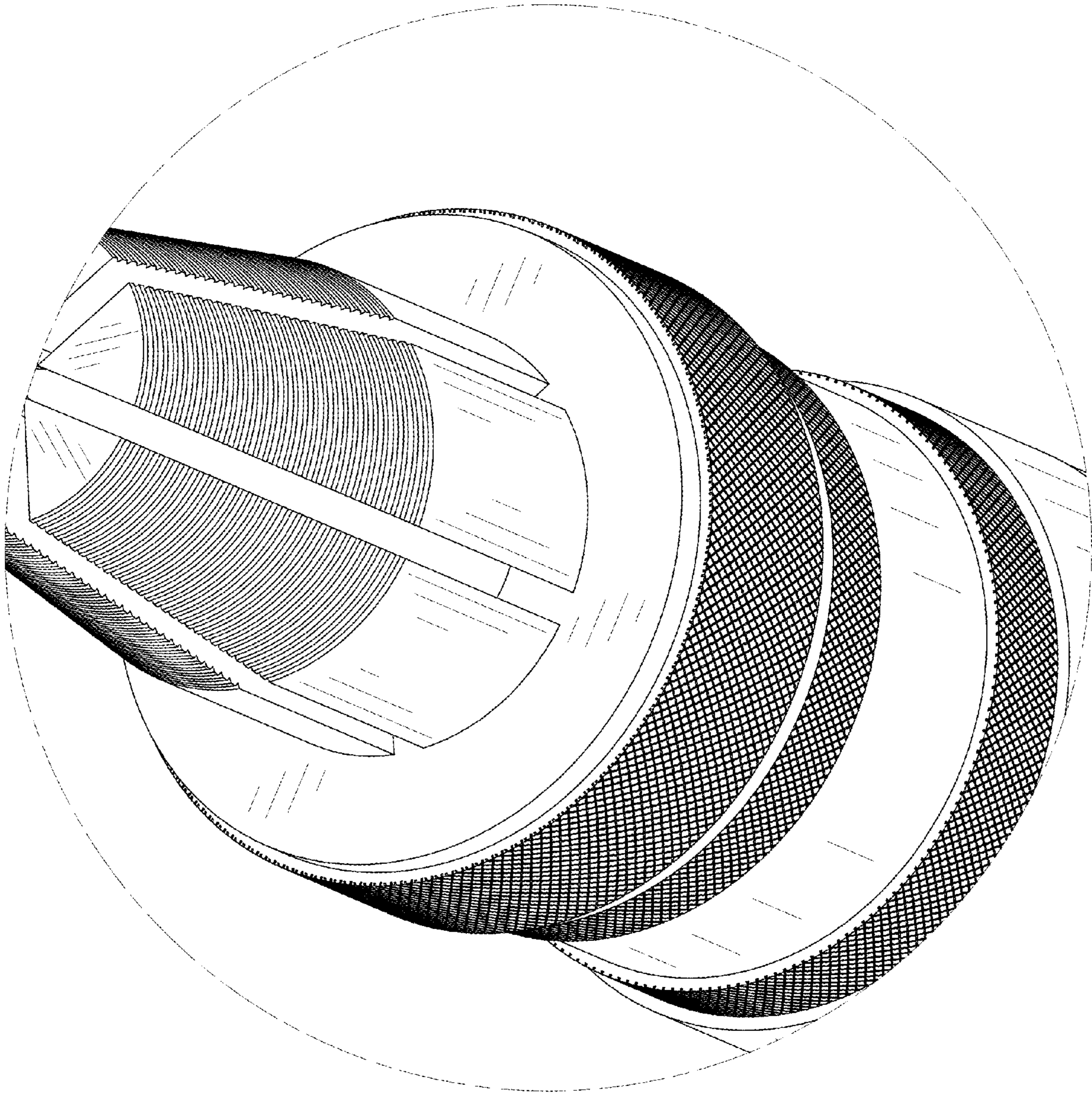


FIG. 9