

US00D976663S

(12) **United States Design Patent**
Murphy et al.

(10) **Patent No.:** **US D976,663 S**
(45) **Date of Patent:** **** Jan. 31, 2023**

(54) **DRINKING ACCESSORY**

- (71) Applicant: **Sandy Trading Co. LLC**, Norco, CA (US)
- (72) Inventors: **Mark Francis Murphy**, Manhattan Beach, CA (US); **Patrick Miller**, Newport Beach, CA (US); **Michael James Whitaker**, Norco, CA (US)
- (73) Assignee: **SANDY TRADING CO. LLC**, Norco, CA (US)
- (**) Term: **15 Years**

- (21) Appl. No.: **29/759,720**
- (22) Filed: **Nov. 24, 2020**
- (51) **LOC (14) Cl.** **07-06**
- (52) **U.S. Cl.**
USPC **D8/42**
- (58) **Field of Classification Search**
USPC D8/42, 38, 305; D21/385, 386, 483, 490;
D9/439, 441
CPC B65D 39/00; B65D 39/0005; B65D
39/0058; B65D 47/121; B65D 51/245;
B65D 51/1688
See application file for complete search history.

(56) **References Cited**

U.S. PATENT DOCUMENTS

D567,476 S *	4/2008	Harland	D2/615
D622,630 S *	8/2010	De Felice	D11/160
D843,186 S *	3/2019	Kretschmann	D8/38
D854,900 S *	7/2019	Kretschmann	D8/38
D876,746 S *	3/2020	Shin	D1/109

OTHER PUBLICATIONS

Shaka Bottle Opener, posted Feb. 1, 2009, [retrieved Sep. 2, 2022], REtrieved from internet, <https://www.amazon.com/KC-Shaka-Bottle-Opener-5-75/dp/B00114DTXM> (Year: 2009).*
“Bottle Opener”—Sandy Trading Co. www.sandytradingco.com/collections/bottle-opener; (2020); 7 pp.

* cited by examiner

Primary Examiner — Calvin E Vasant
Assistant Examiner — Benjamin Lucas Gray

(74) *Attorney, Agent, or Firm* — Womble Bond Dickinson (US) LLP

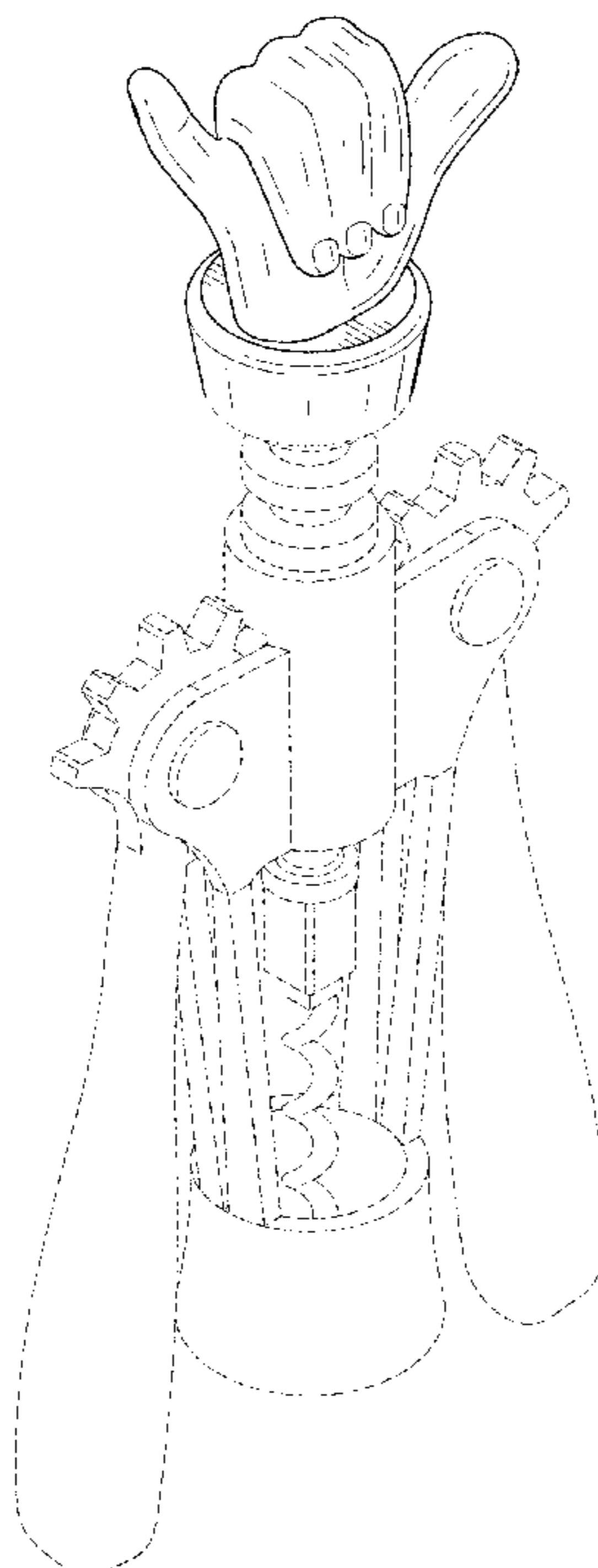
(57) **CLAIM**

The ornamental design for a drinking accessory, as shown and described.

DESCRIPTION

FIG. 1 is a front perspective view of our new design of a drinking accessory;
FIG. 2 is a front elevation view thereof;
FIG. 3 is a rear elevation view thereof;
FIG. 4 is a right side view thereof;
FIG. 5 is a left side view thereof;
FIG. 6 is a top view thereof; and,
FIG. 7 is a bottom perspective view thereof.
The dash-dot lines in the Figures represent the boundary of the claimed design. The dash-dash lines in the Figures represent portions and environmental elements that form no part of the claimed design. None of the broken lines form part of the claimed design.

1 Claim, 6 Drawing Sheets



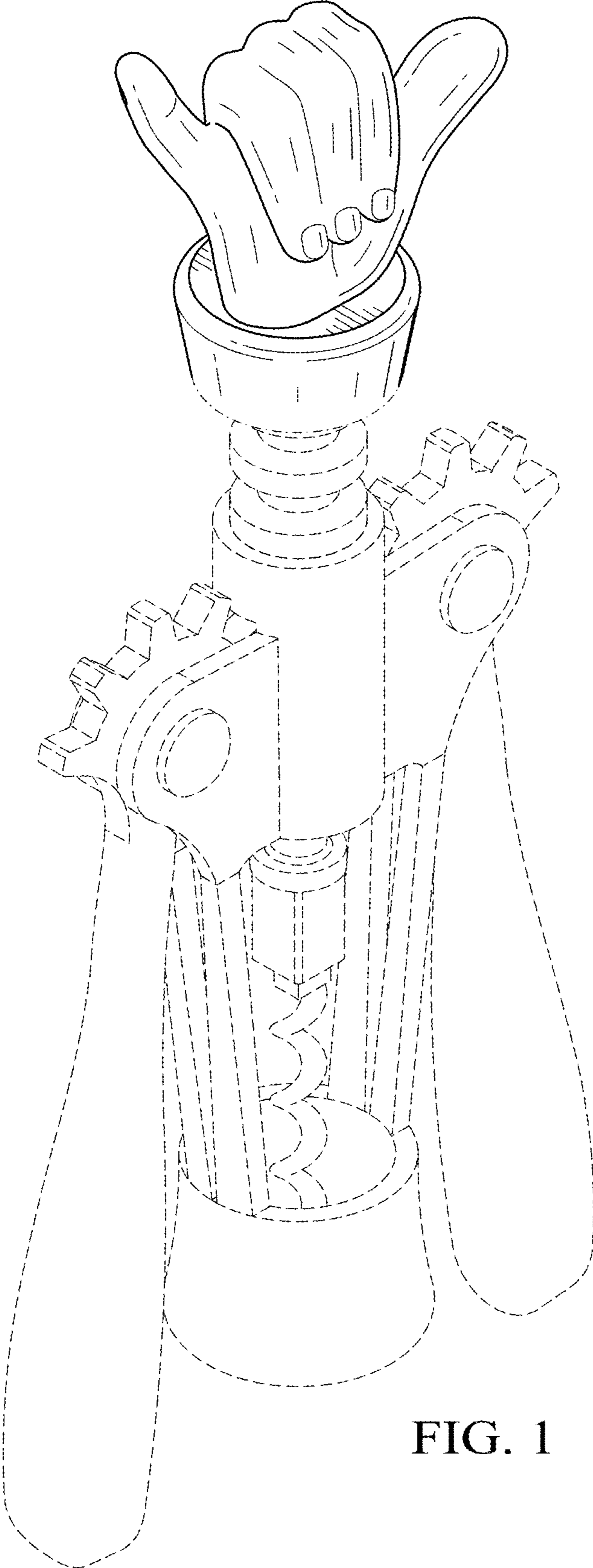


FIG. 1

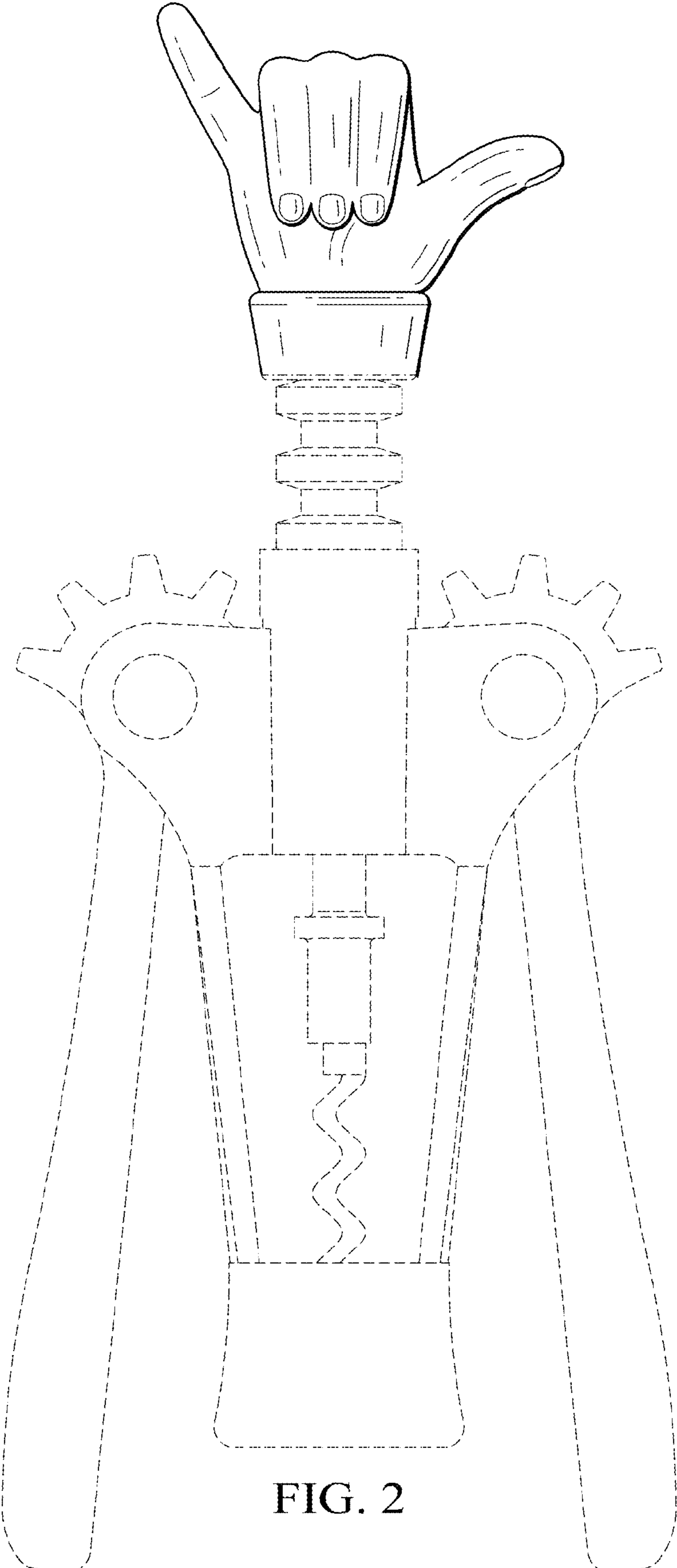


FIG. 2

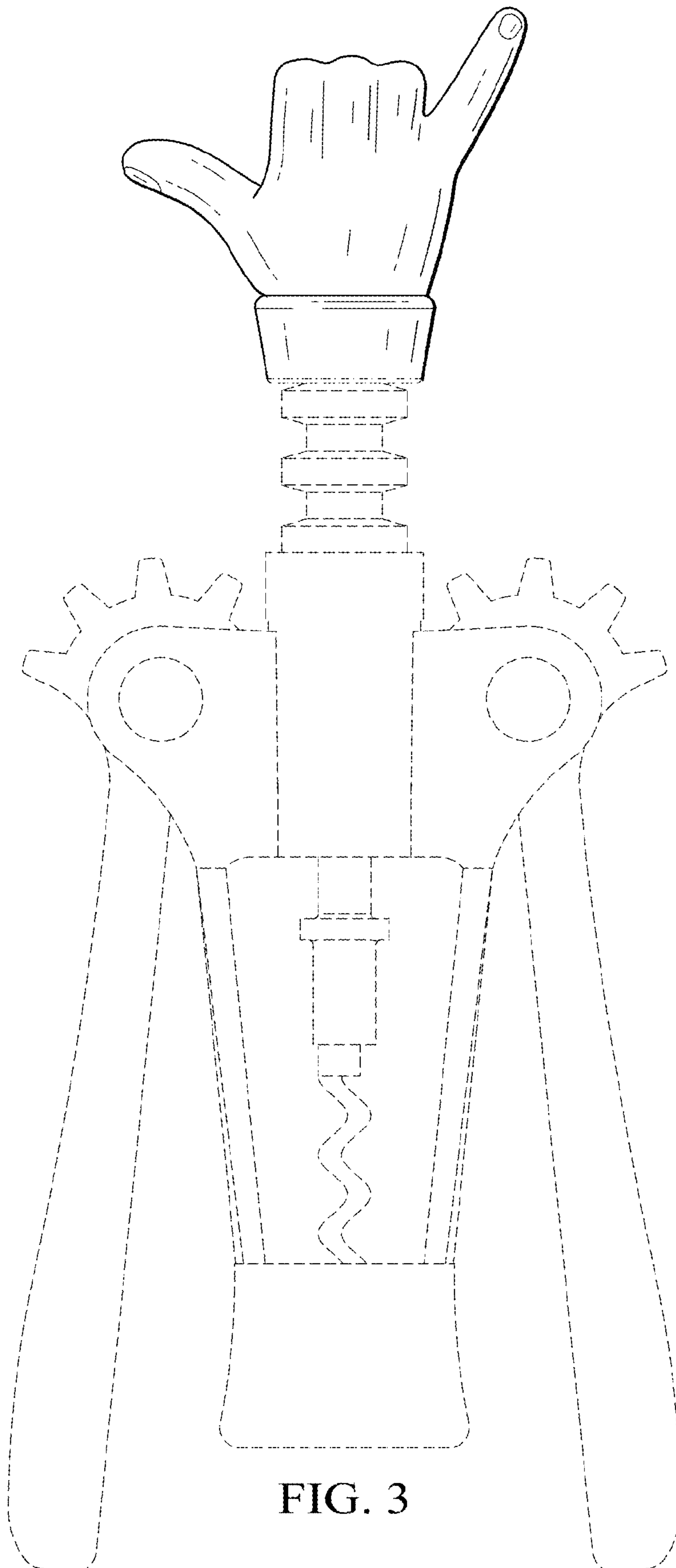


FIG. 3

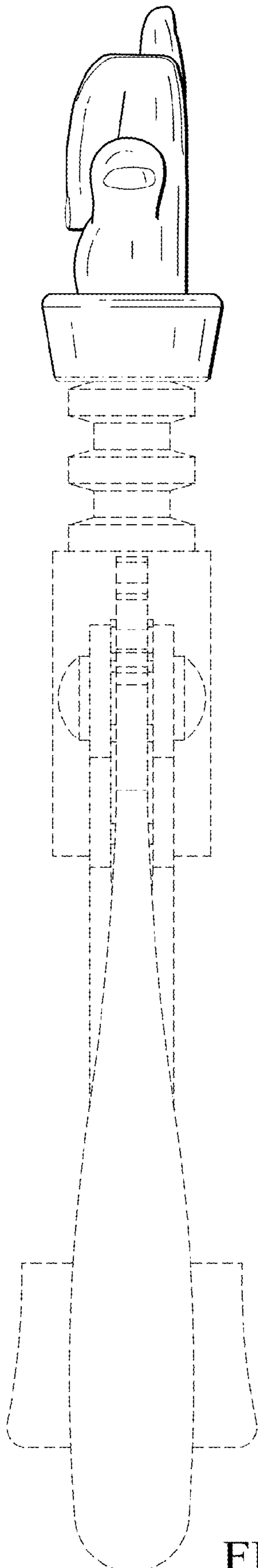


FIG. 4

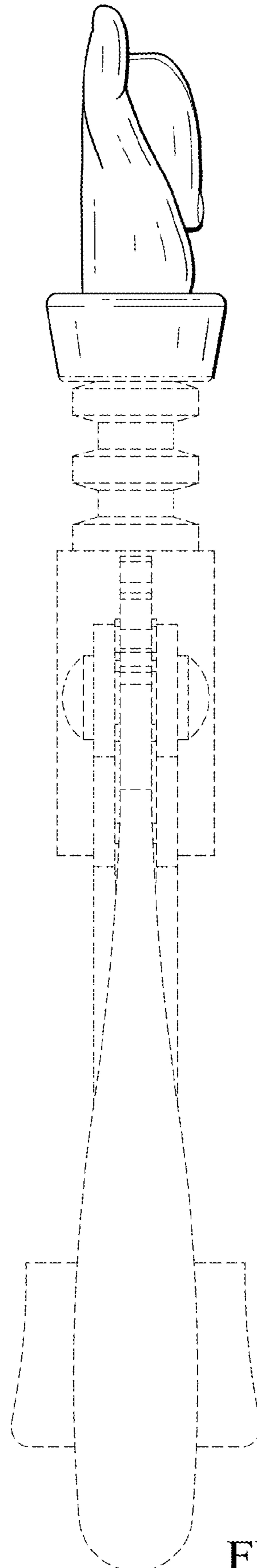


FIG. 5

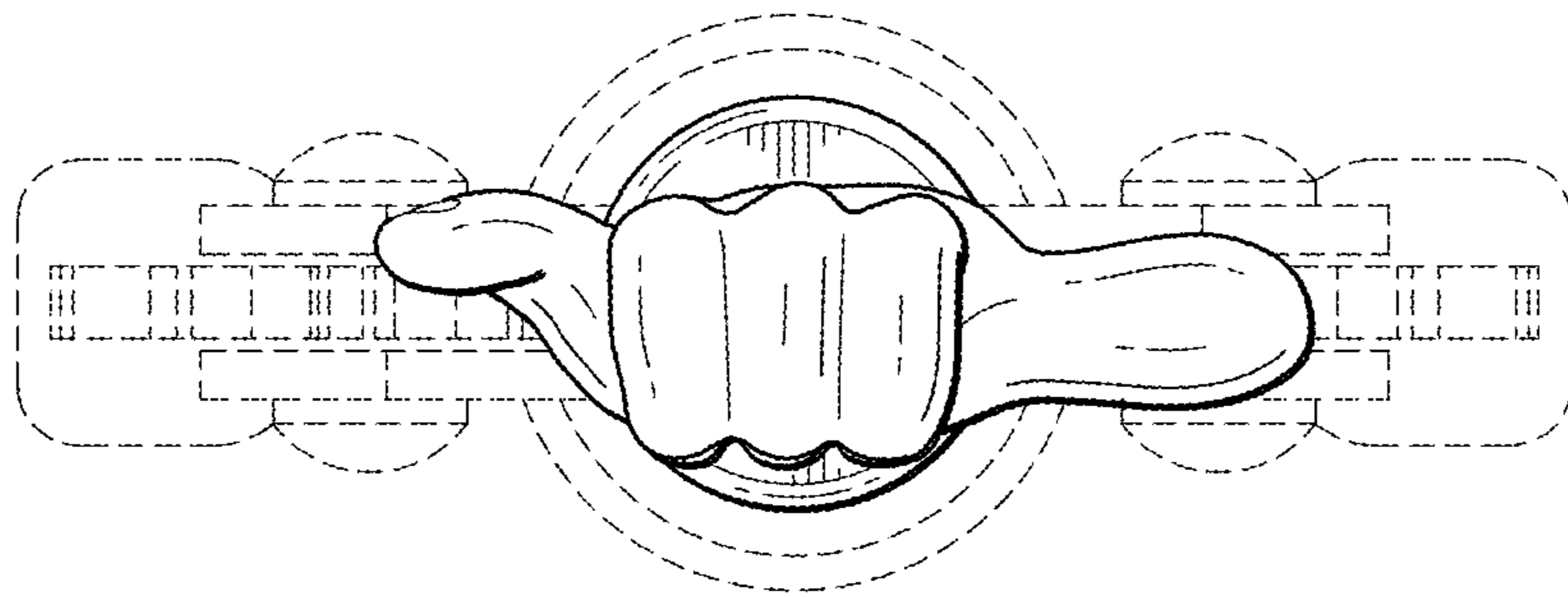


FIG. 6

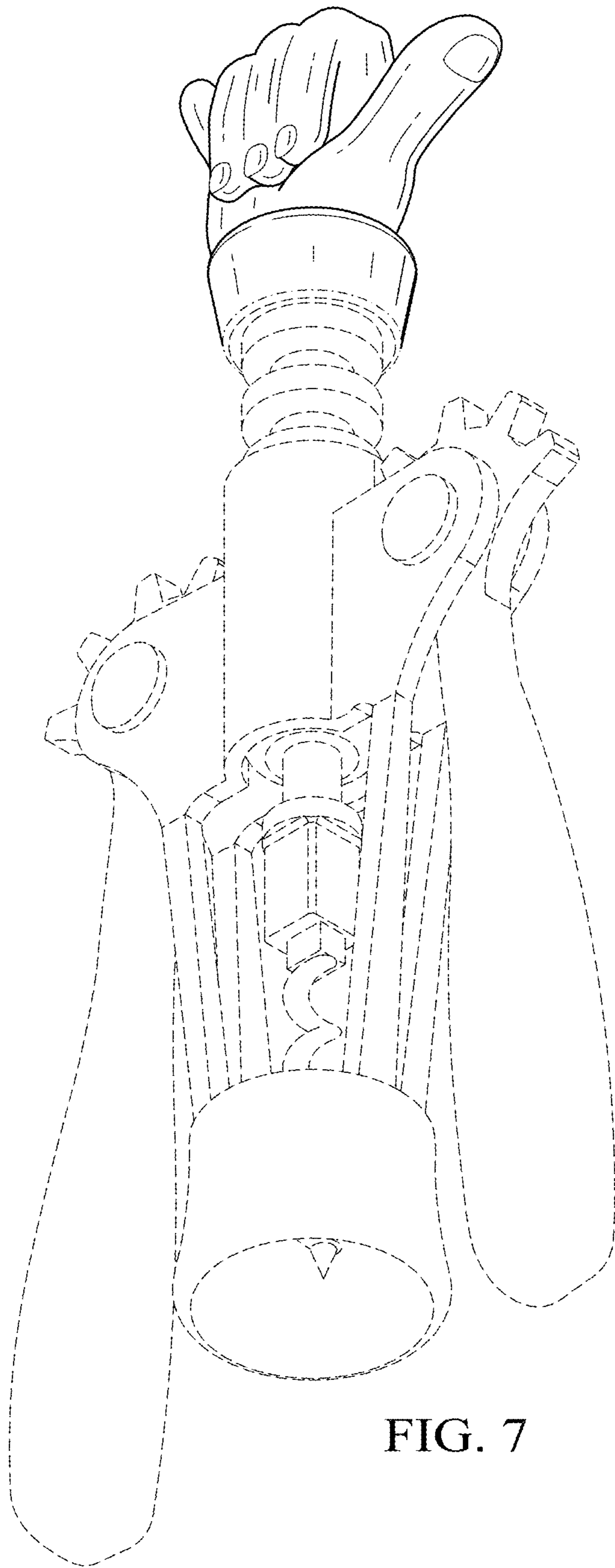


FIG. 7