



US00D97662S

(12) **United States Design Patent** (10) **Patent No.:** **US D976,662 S**
De Rouchie (45) **Date of Patent:** **** Jan. 31, 2023**

(54) **DIGGING TOOL**
(71) Applicant: **Thomas De Rouchie**, Shelby Township, MI (US)
(72) Inventor: **Thomas De Rouchie**, Shelby Township, MI (US)

2,280,778 A * 4/1942 Andersen A01B 1/227
15/236.08
2,665,434 A * 1/1954 Saunders B25D 1/00
37/405
D191,275 S * 9/1961 Ales D8/11
3,116,796 A * 1/1964 Miljan A01B 1/08
7/114

(**) Term: **15 Years**

(Continued)

(21) Appl. No.: **29/767,203**

FOREIGN PATENT DOCUMENTS

(22) Filed: **Jan. 21, 2021**

CN 306989552 * 12/2021
CN 307070065 * 1/2022

(51) **LOC (14) Cl.** **08-01**

(Continued)

(52) **U.S. Cl.**
USPC **D8/11**

OTHER PUBLICATIONS

(58) **Field of Classification Search**
USPC D8/10, 11
CPC A01B 1/02; A01B 1/022; A01B 1/026;
A01B 1/06; A01B 1/08; A01B 1/16
See application file for complete search history.

A Vintage Shovel Hoe, Image submitted on: Jun. 30, 2020 (online),
Image retrieved on: Aug. 25, 2022 (online), <<https://www.thesurvivalgardener.com/vintage-shovel-hoe/>>.*

Primary Examiner — Sheryl Lane
Assistant Examiner — Ieisha N Price

(56) **References Cited**

(57) **CLAIM**

U.S. PATENT DOCUMENTS

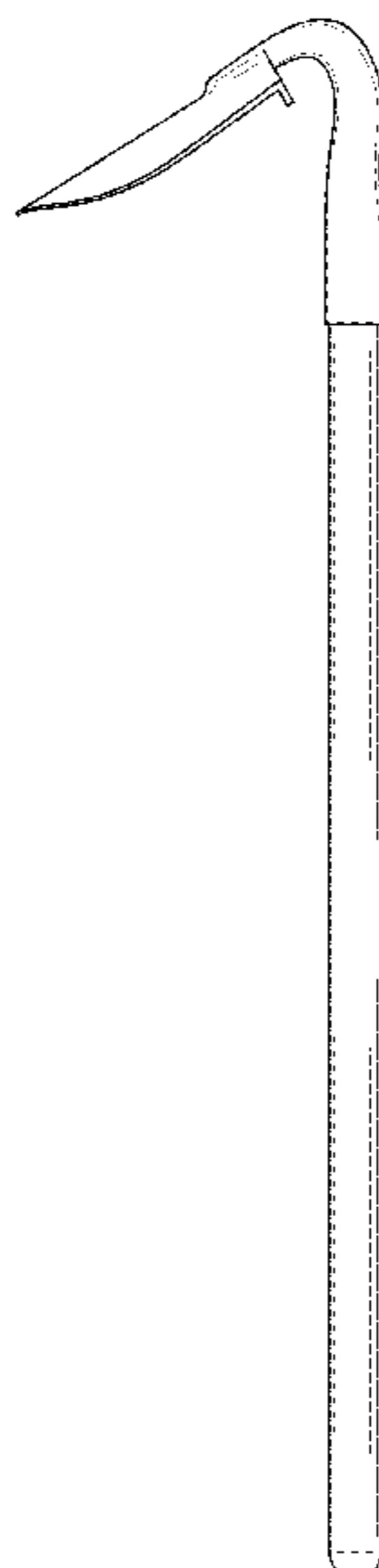
The ornamental design for a digging tool, as shown and described.

182,875 A 10/1876 Warren
350,151 A * 10/1886 Patterson A01B 1/022
294/51
587,088 A * 7/1897 Chamblin A01B 1/08
172/381
D28,810 S * 6/1898 Smith D8/11
881,782 A * 3/1908 Elliott A01B 1/022
294/51
951,324 A * 3/1910 Mayer A01B 1/022
294/51
1,169,284 A * 1/1916 Potter A01B 1/20
172/380
1,181,137 A 5/1916 Heggland
1,478,204 A 12/1923 Cooney
1,649,921 A * 11/1927 Paluck A01B 1/22
403/198
1,879,909 A * 9/1932 Roberts A01B 1/06
172/381

DESCRIPTION

FIG. 1 is a front view of a digging tool showing my new design;
FIG. 2 is a rear view of the digging tool;
FIG. 3 is a right side view of the digging tool;
FIG. 4 is a left side view of the digging tool;
FIG. 5 is a top view of the digging tool;
FIG. 6 is a bottom view of the digging tool;
FIG. 7 is a top front side perspective view of the digging tool; and,
FIG. 8 is a bottom front side perspective view of the digging tool.

1 Claim, 4 Drawing Sheets



(56)

References Cited

U.S. PATENT DOCUMENTS

3,156,305 A * 11/1964 Nash A01B 1/08
172/381
D208,988 S * 10/1967 Anderson 30/314
D223,793 S * 6/1972 De Feo D8/11
4,037,668 A * 7/1977 Svejda B25G 1/06
473/256
D248,819 S * 8/1978 Hare D8/11
D383,951 S * 9/1997 Dutchak D8/11
5,791,708 A 8/1998 Capriotti
D418,380 S * 1/2000 Chrysler D8/11
D429,126 S * 8/2000 Murdukhayev D8/1
D431,980 S * 10/2000 Yarbrough D8/11
D496,841 S * 10/2004 Baynard D8/11
D501,380 S * 2/2005 Sandoval D8/11
D590,222 S 4/2009 Krause
7,654,591 B2 * 2/2010 Marble B25G 1/06
294/51

9,084,525 B2 * 7/2015 Cohen A47L 13/12
D799,287 S * 10/2017 Guthrie D8/11
10,640,093 B2 * 5/2020 Wood A47L 13/08
10,688,326 B1 * 6/2020 Davis A01B 1/20
11,236,481 B1 * 2/2022 Franciskovich A01B 1/02
2002/0112865 A1 * 8/2002 Murtagh B01F 27/11251
7/114
2005/0056437 A1 * 3/2005 Gaudielle A01B 1/00
172/371
2017/0113660 A1 * 4/2017 Cohen A47L 13/12
2019/0261548 A1 * 8/2019 Flaatten A01B 1/08
2021/0076551 A1 * 3/2021 Berger E02F 3/02

FOREIGN PATENT DOCUMENTS

CN 307399877 * 6/2022
JP D1706340 * 1/2022
KR 301158969.0000 * 4/2022

* cited by examiner

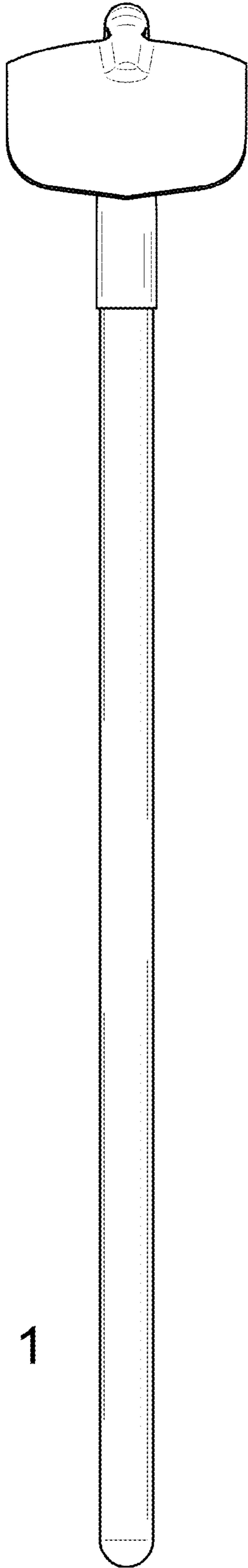


FIG. 1

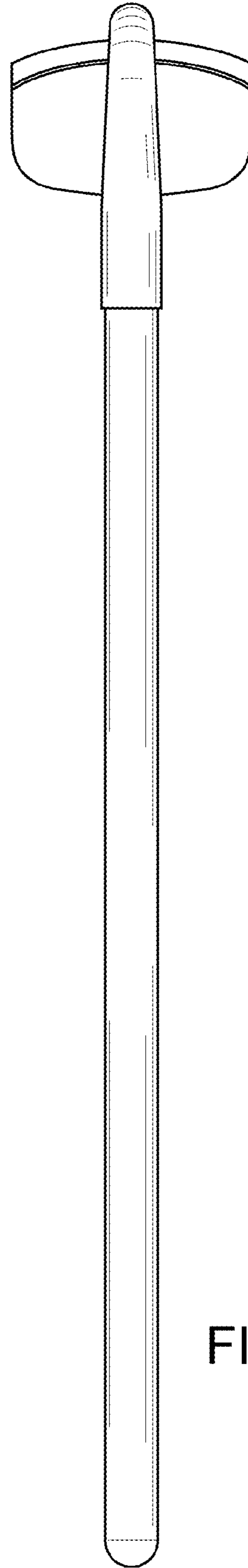


FIG. 2

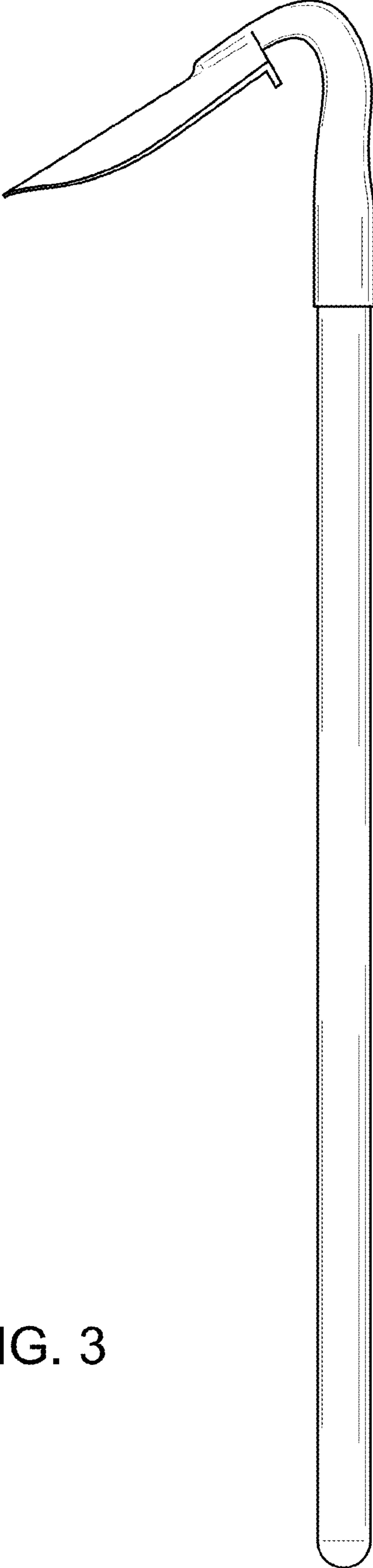


FIG. 3

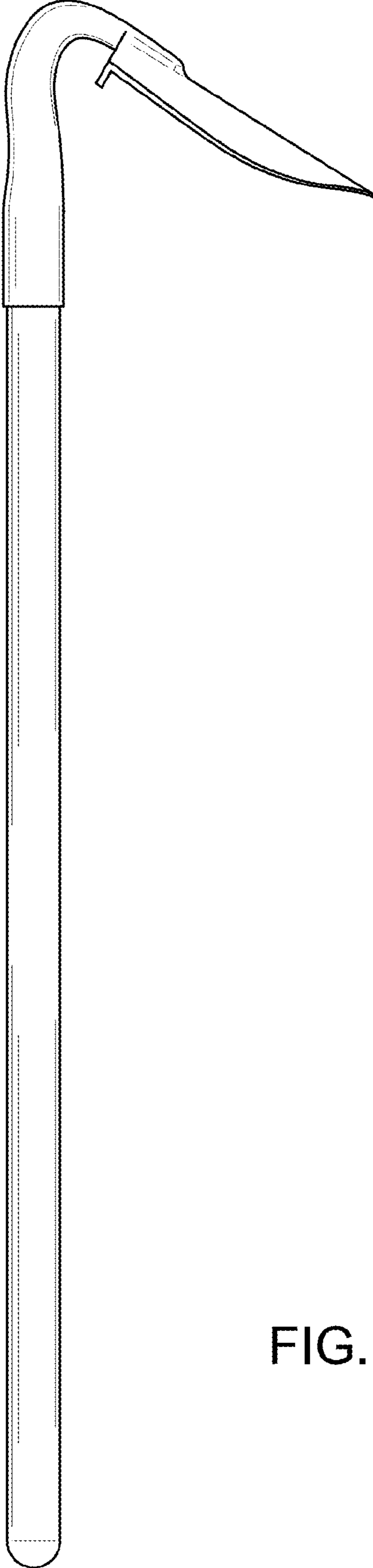


FIG. 4

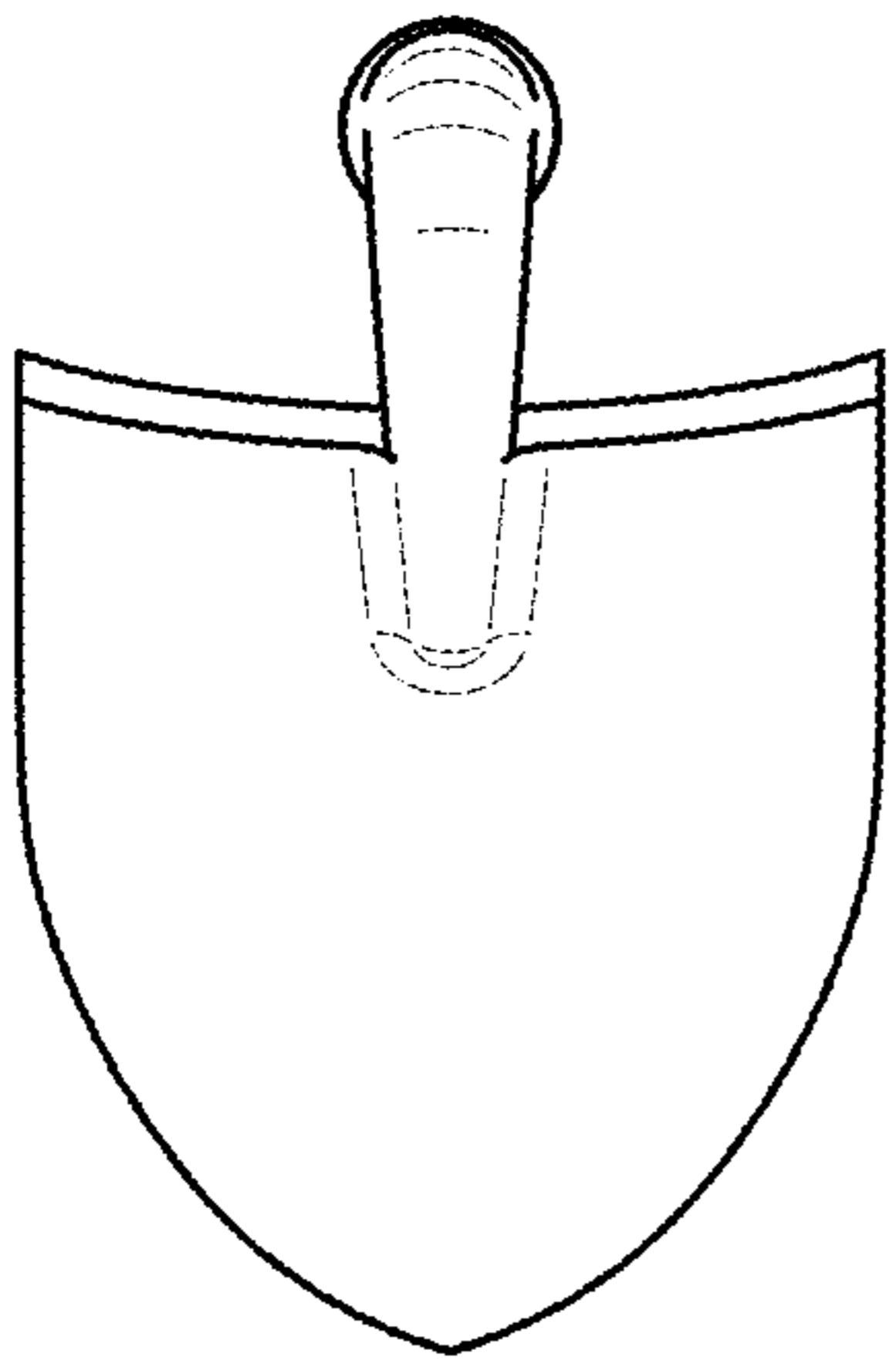


FIG. 5

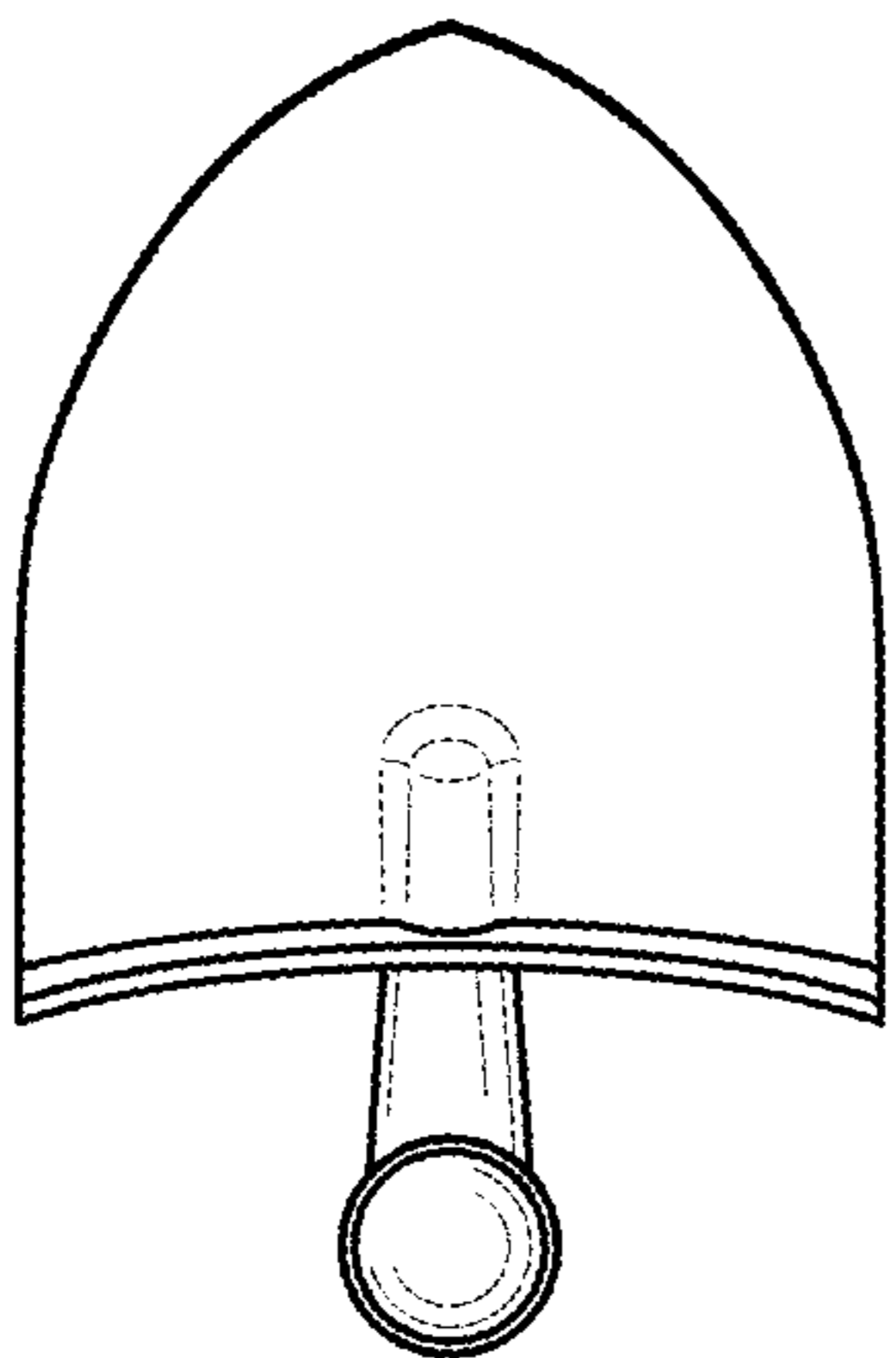


FIG. 6

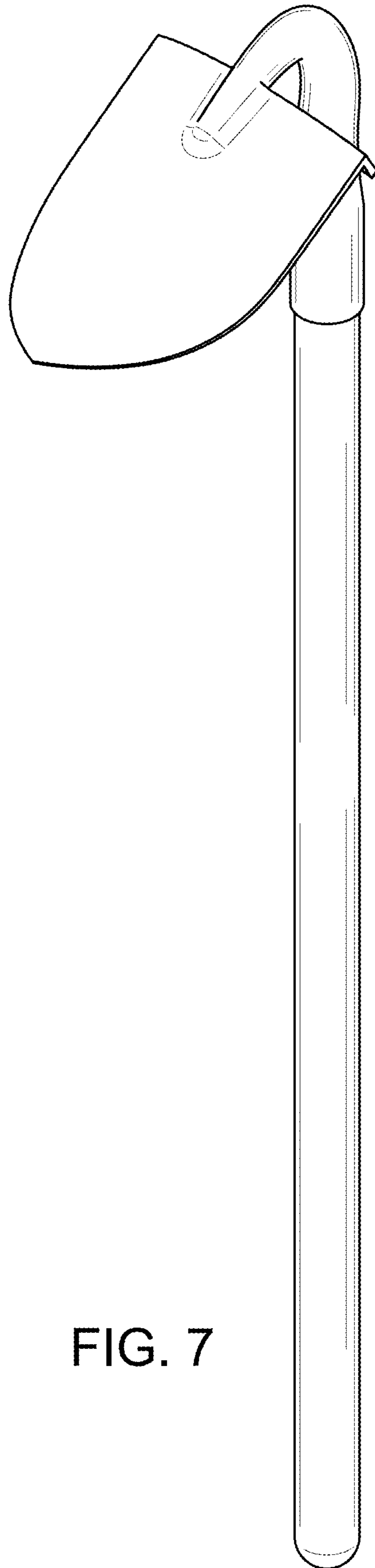


FIG. 7

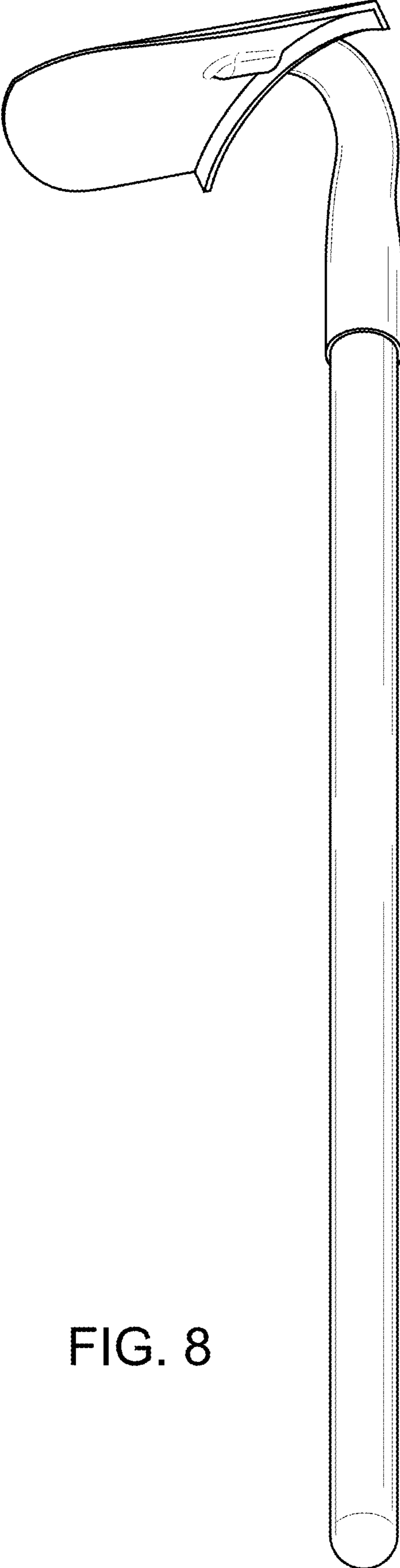


FIG. 8