



US00D976660S

(12) **United States Design Patent** (10) **Patent No.:** **US D976,660 S**  
**Yadav et al.** (45) **Date of Patent:** **\*\* Jan. 31, 2023**

(54) **JIGSAW FRUIT SLICER**  
(71) Applicants: **Savera Yadav**, Puducherry (IN); **Satya Schiavina**, Puducherry (IN); **Suryaprakash Yadav**, Puducherry (IN)

(72) Inventors: **Savera Yadav**, Puducherry (IN); **Satya Schiavina**, Puducherry (IN); **Suryaprakash Yadav**, Puducherry (IN)

(\*\*) Term: **15 Years**

(21) Appl. No.: **29/777,398**

(22) Filed: **Apr. 6, 2021**

(51) **LOC (14) Cl.** ..... **07-04**

(52) **U.S. Cl.**  
USPC ..... **D7/673**

(58) **Field of Classification Search**  
USPC ..... D1/120, 125; D7/368, 372, 376-387, D7/400, 412-13, 669, 673, 675-679, 665, D7/667, 672; D8/98; D15/126; D21/478  
CPC .. A47J 17/02; A47J 25/00; A47J 42/00; A47J 43/04; A47J 43/06; A47J 43/07; A47J 43/0722; A47J 43/0727; A47J 43/255; A47J 43/284; B65D 71/00

See application file for complete search history.

(56) **References Cited**

**U.S. PATENT DOCUMENTS**

1,744,422	A	1/1930	Taylor	
D114,471	S	4/1939	Rosenbeg	
2,355,312	A	8/1944	Lui	
D187,440	S *	3/1960	Tupper	D7/672
4,580,343	A	4/1986	Bell, Jr.	
D406,284	S *	3/1999	Owen	D21/478
D432,874	S	10/2000	Kari	
6,796,032	B2	9/2004	Hornig	
D501,371	S	2/2005	Lo	
7,073,260	B2	7/2006	Jensen	
D629,024	S *	12/2010	Grace	D15/126

D776,496 S \* 1/2017 Mirchandani ..... D7/672  
2006/0254058 A1 11/2006 Chang  
2009/0241344 A1\* 10/2009 Mastroianni ..... B26D 3/26  
30/355

(Continued)

**OTHER PUBLICATIONS**

Sandwich Cutter Shape Set for Kids, posted Apr. 3, 2022 [online], [retrieved Sep. 9, 2022]. Retrieved from internet, [https://www.amazon.com/Sandwich-Cutter-Vegetable-Cutters-Lunchbox/dp/B09X4C8FB6/ref=sr\\_1\\_30?keywords=fruit+cutters&qid=1662731976&sr=8-30](https://www.amazon.com/Sandwich-Cutter-Vegetable-Cutters-Lunchbox/dp/B09X4C8FB6/ref=sr_1_30?keywords=fruit+cutters&qid=1662731976&sr=8-30) (Year: 2022).\*

(Continued)

*Primary Examiner* — Nicole C Shiflet  
*Assistant Examiner* — Yen Le Southwood  
(74) *Attorney, Agent, or Firm* — Kirk A. Buhler; Buhler & Associates Patenting

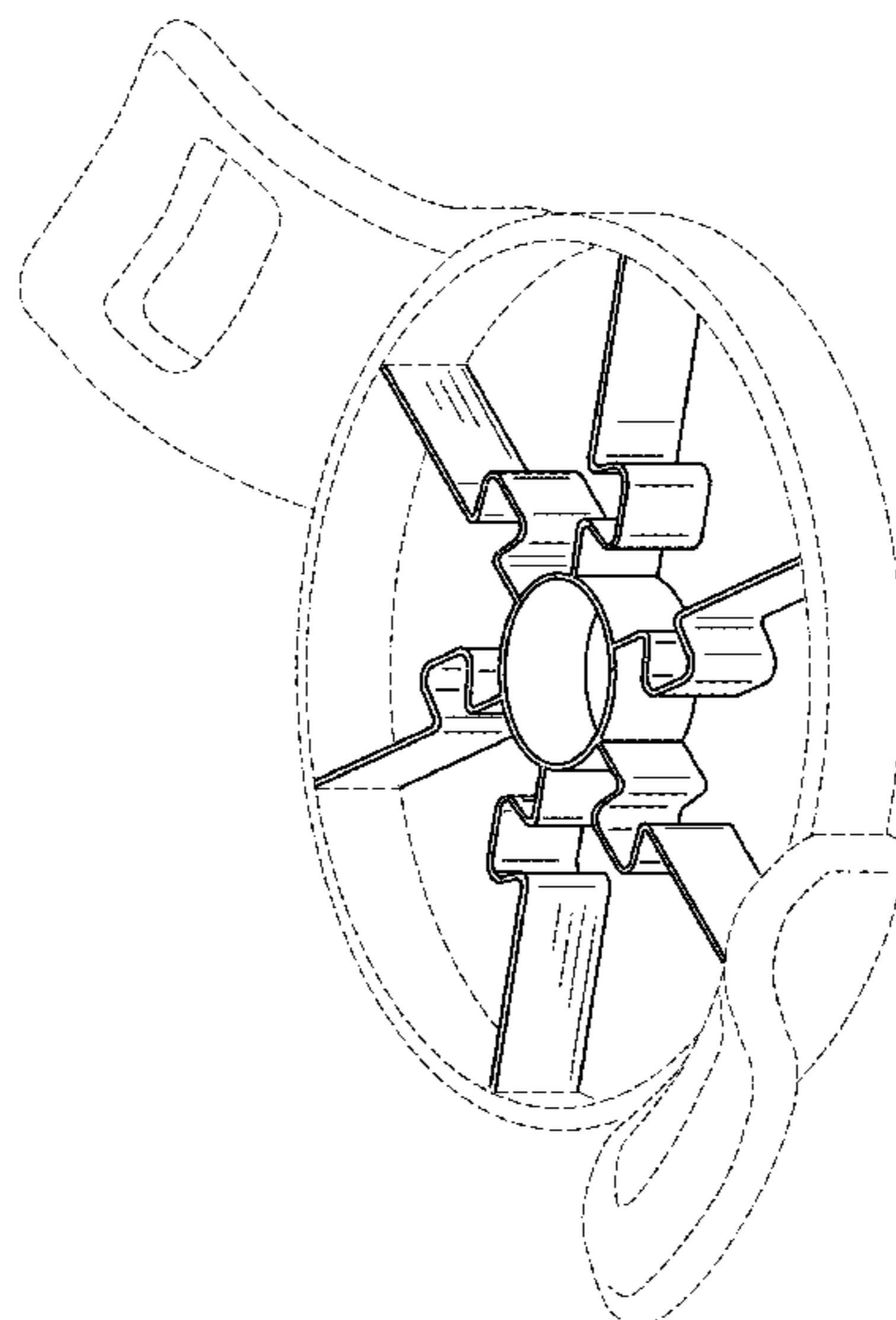
(57) **CLAIM**

The ornamental design for a jigsaw fruit slicer, as shown and described.

**DESCRIPTION**

FIG. 1 is a top perspective view of a jigsaw fruit slicer, showing our new design;  
FIG. 2 is a bottom plan view thereof;  
FIG. 3 is a left side elevation view, the right-side view being a mirror image hereof;  
FIG. 4 is a right-side sectional view taken along lines 4-4 from FIG. 2 thereof;  
FIG. 5 is a front elevation view, the rear elevation view being a mirror image thereof;  
FIG. 6 is a front sectional view taken along lines 6-6 from FIG. 2 thereof;  
FIG. 7 is a top view thereof; and,  
FIG. 8 is a bottom perspective view.  
The broken lines in the figures depict environmental subject matter and form no part of the claimed design.

**1 Claim, 6 Drawing Sheets**



(56)

**References Cited**

U.S. PATENT DOCUMENTS

2009/0266246 A1 10/2009 Hood

OTHER PUBLICATIONS

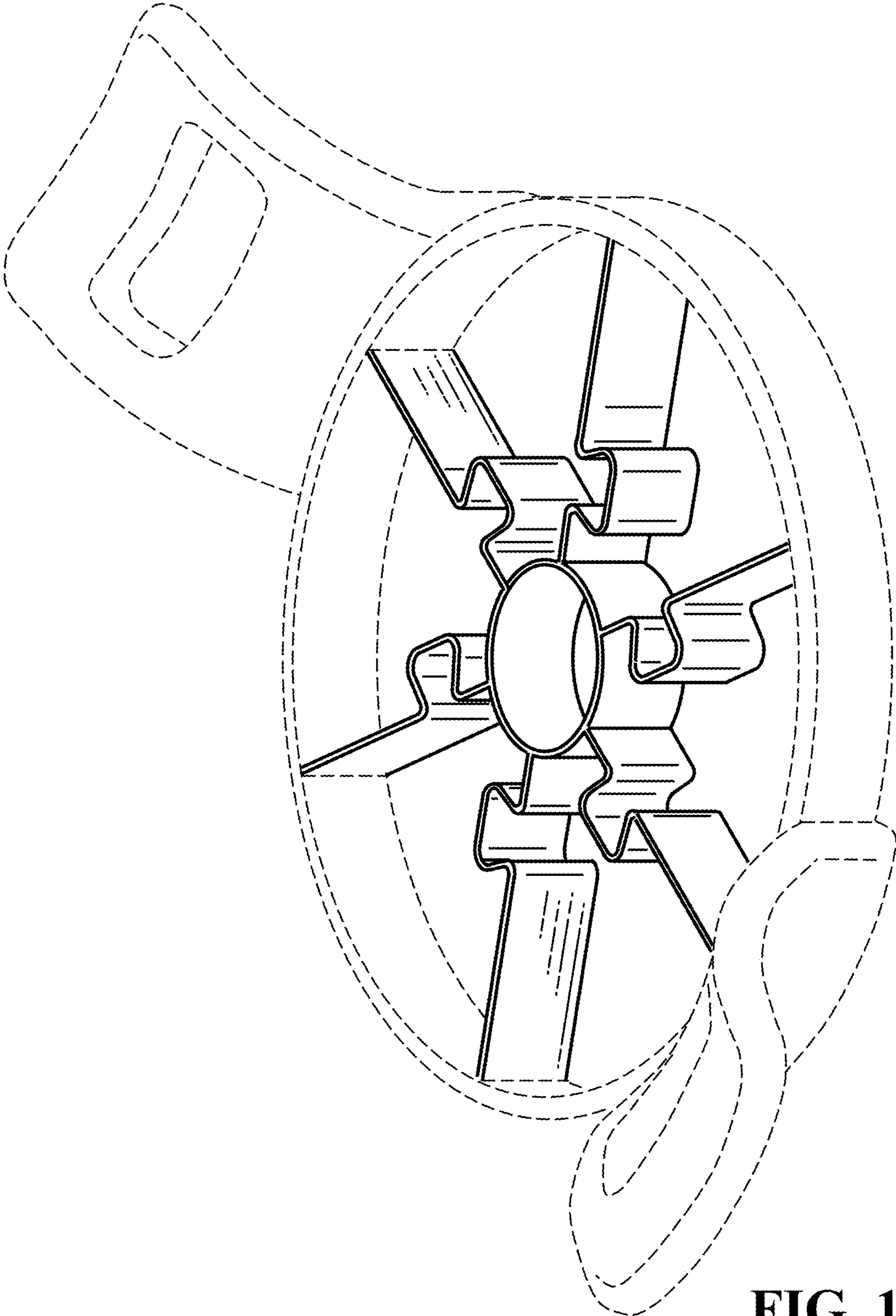
Munchkin Silly Sandwich Cutter, posted date unknown [online], [retrieved Sep. 9, 2022]. Retrieved from internet, [https://www.amazon.com/Munchkin-Silly-Sandwich-Cutter-count/dp/B0076LAGQ4/ref=cm\\_cr\\_ar\\_p\\_d\\_pl\\_foot\\_top?ie=UTF8](https://www.amazon.com/Munchkin-Silly-Sandwich-Cutter-count/dp/B0076LAGQ4/ref=cm_cr_ar_p_d_pl_foot_top?ie=UTF8).\*

Circle Puzzle Cookie Cutter, posted May 13, 2022 [online], [retrieved Sep. 9, 2022]. Retrieved from internet, <https://www.etsy.com/listing/794622608/circle-puzzle-cookie-cutter> (Year: 2022).\*

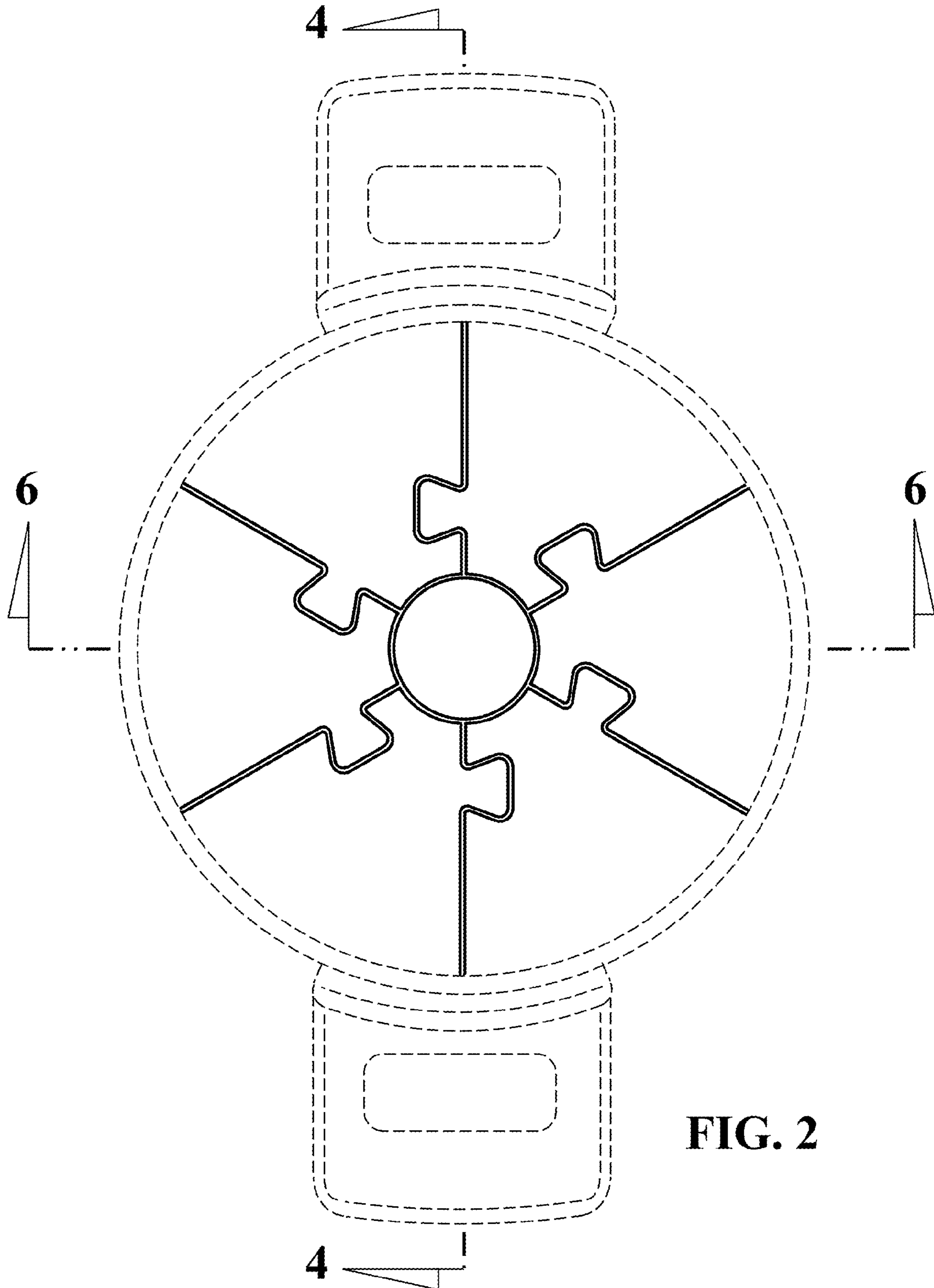
Puzzle Heart Full Cut, posted date unknown [online], [retrieved Sep. 9, 2022]. Retrieved from internet, <https://www.happycutters.com/cookie-cutters-puzzle-heart-full-cut-heart-into-four-pieces-complex-love-san-valentine-gift-cookie-cutter-multi-size-hacu5f077225901b6>.\*

Amco Dial-A-Slice Adjustable Apple Corer, posted May 5, 2003 [online], [retrieved Sep. 9, 2022]. Retrieved from internet, <https://www.amazon.com/Amco-Dial-Slice-Adjustable-Slicer/dp/B001CHIWS> (Year: 2003).\*

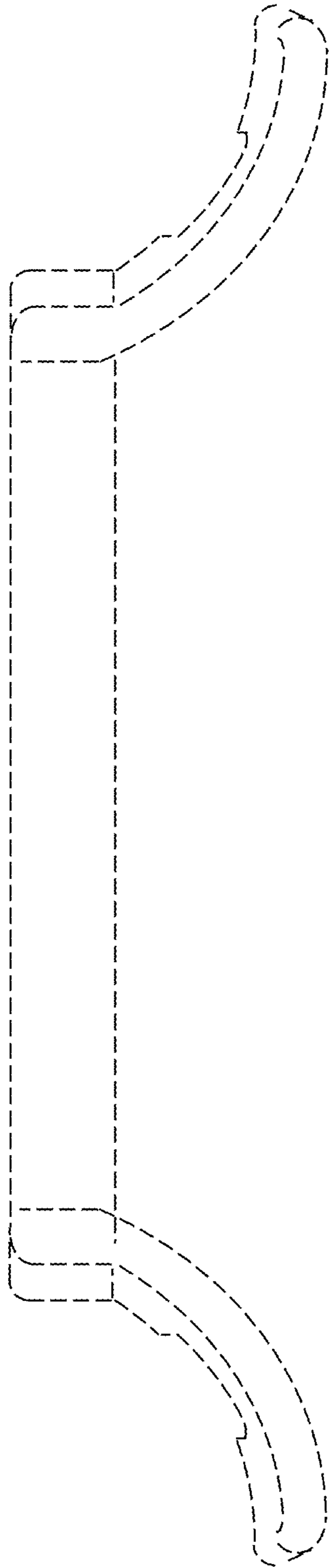
\* cited by examiner



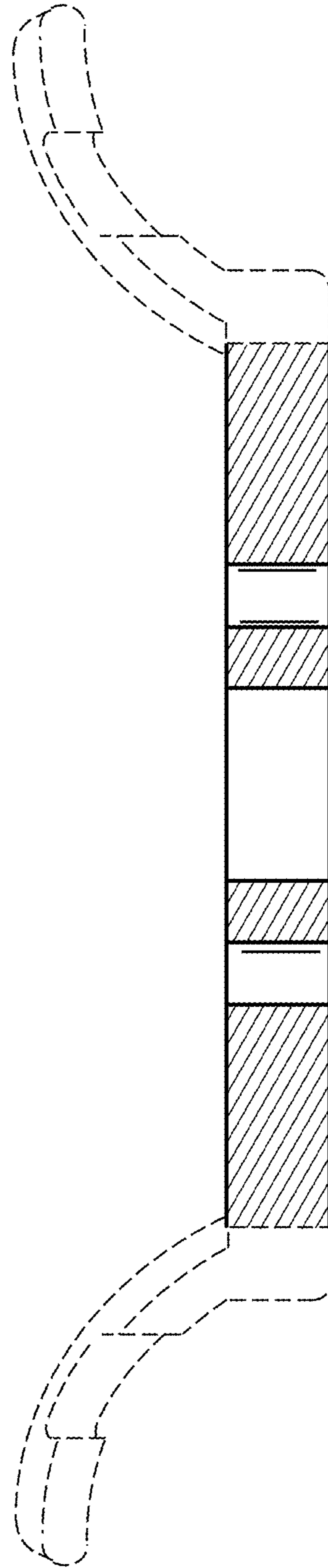
**FIG. 1**



**FIG. 2**

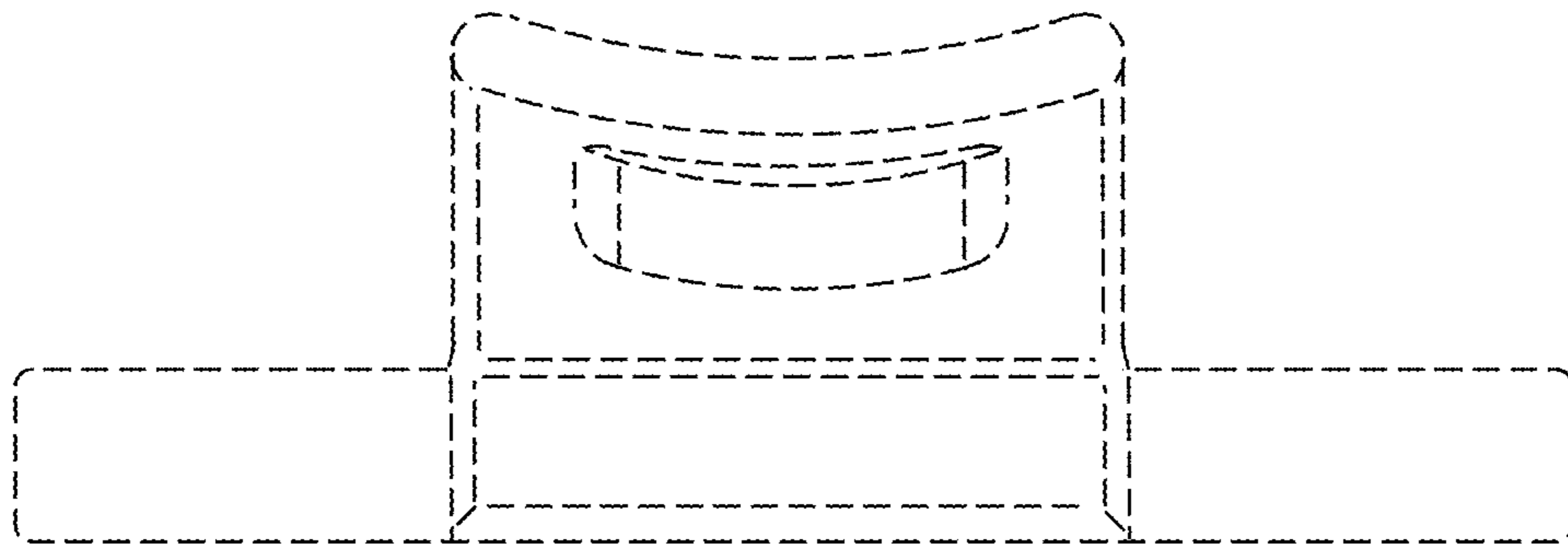


**FIG. 3**

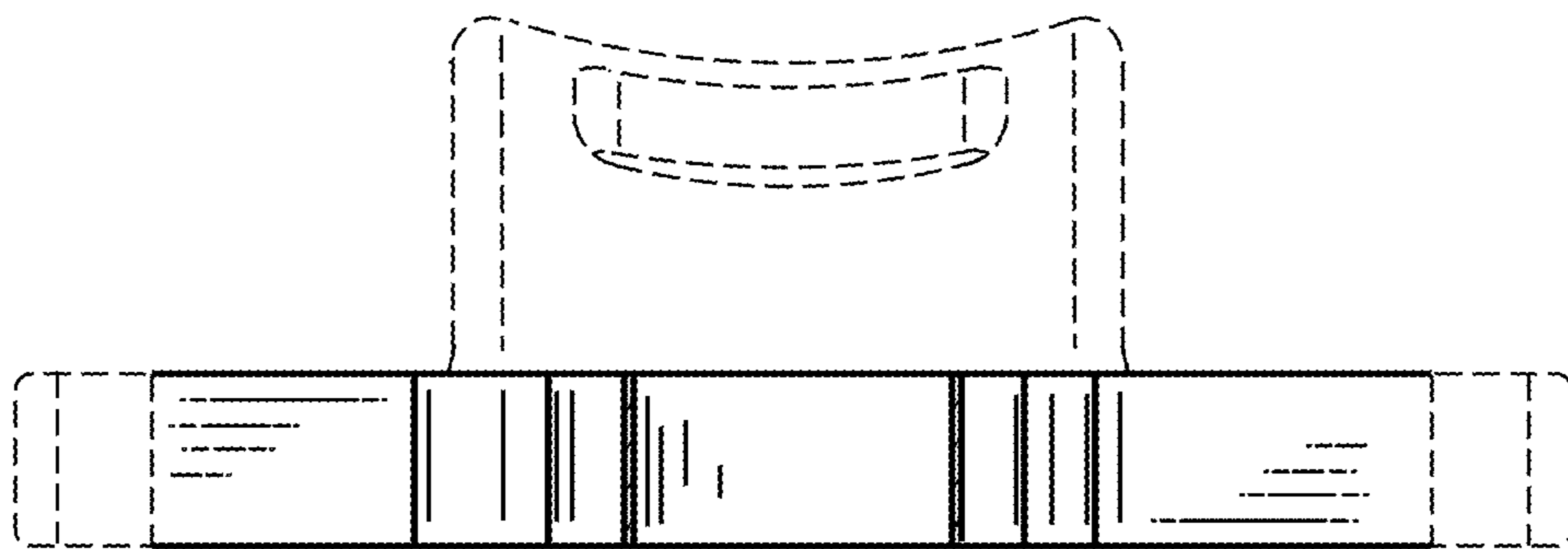


**FIG. 4**

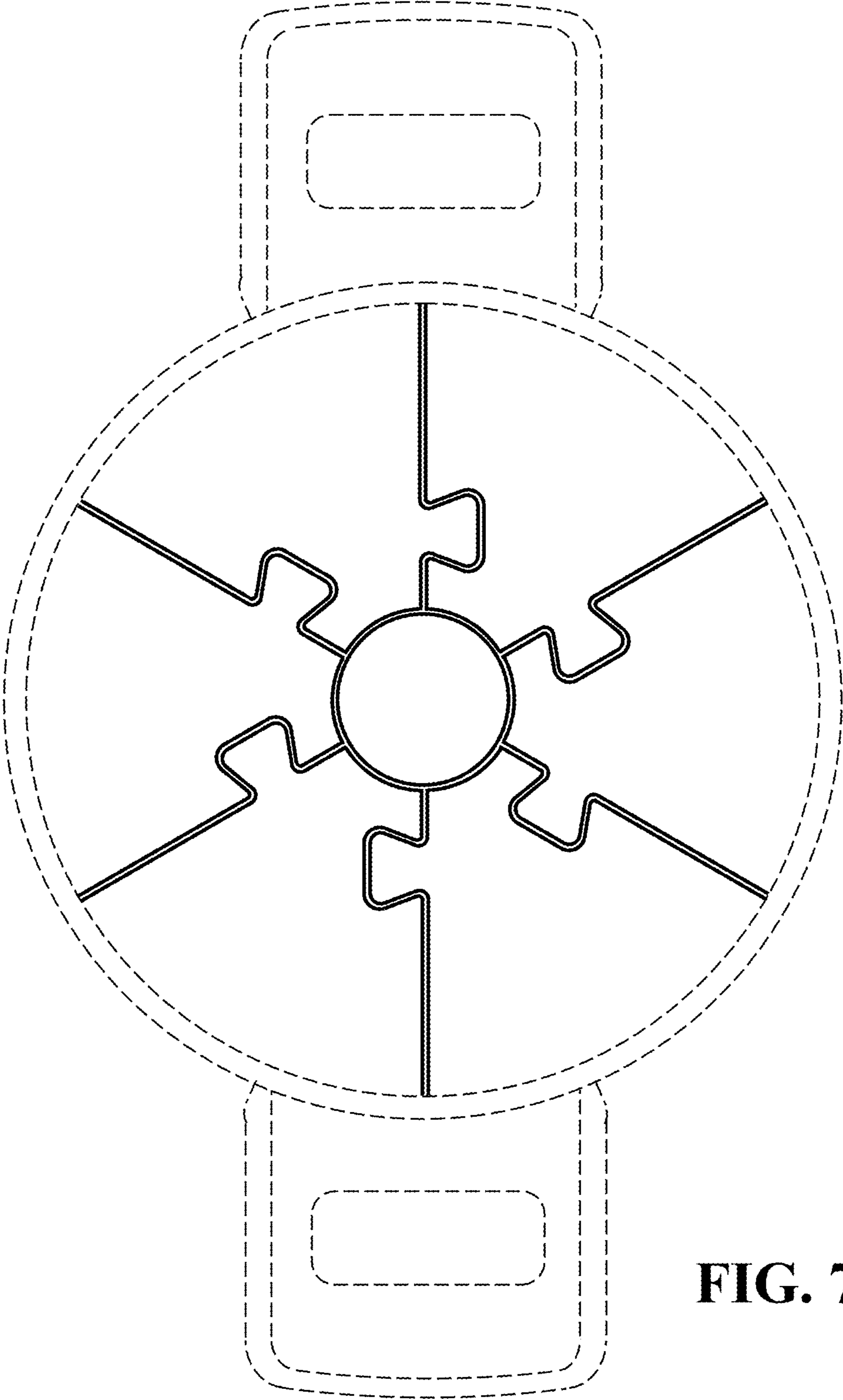




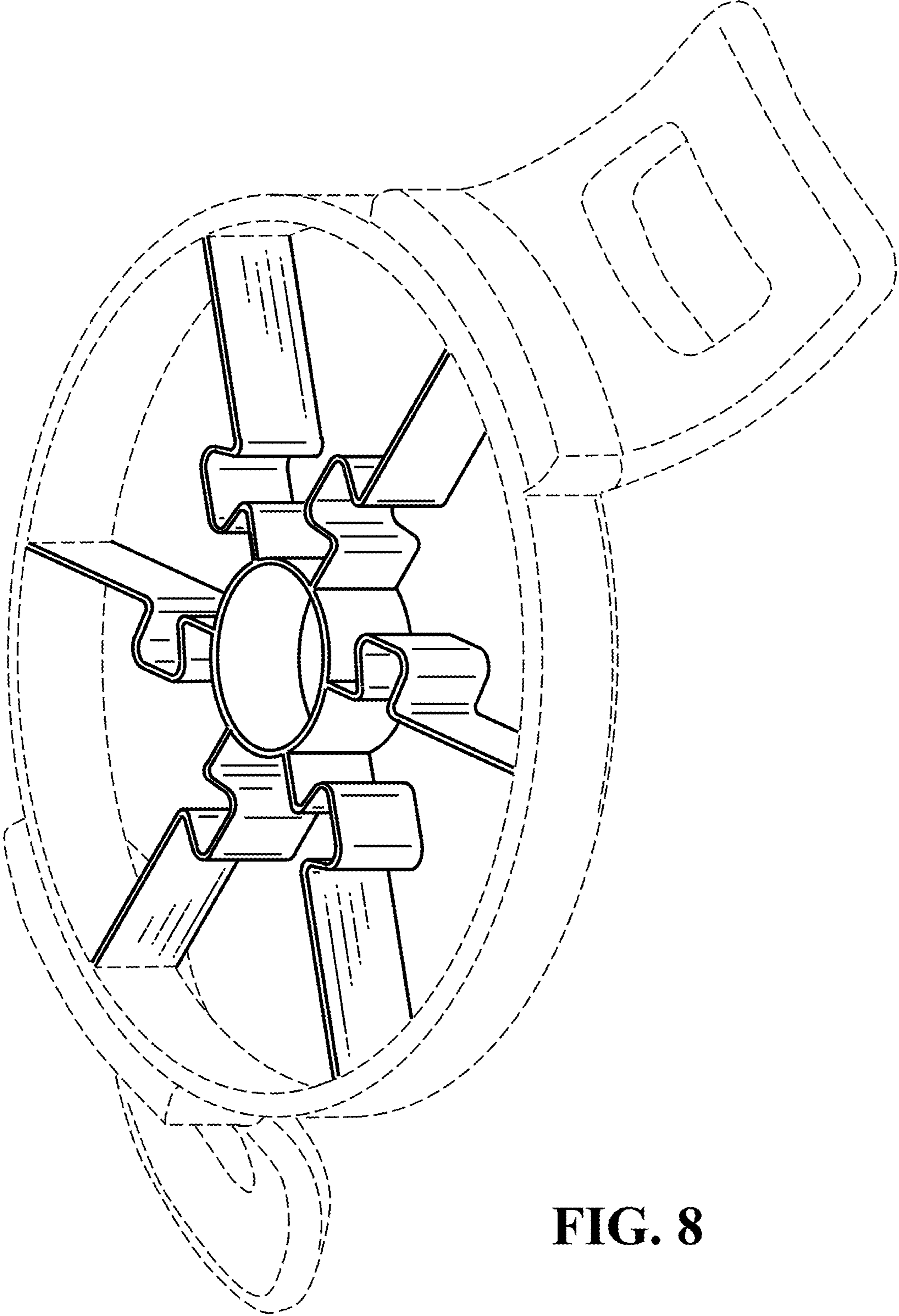
**FIG. 5**



**FIG. 6**



**FIG. 7**



**FIG. 8**