



US00D976657S

(12) **United States Design Patent** (10) **Patent No.:** **US D976,657 S**
Worden, IV et al. (45) **Date of Patent:** **** *Jan. 31, 2023**

(54) **DRAWER ORGANIZER**

(71) Applicant: **Helen of Troy Limited**, St. Michael (BB)

(72) Inventors: **Morris Elijah Worden, IV**, New York, NY (US); **Brandon Rodriguez**, New York, NY (US)

(73) Assignee: **Helen of Troy Limited**, St. Michael (BB)

(*) Notice: This patent is subject to a terminal disclaimer.

(**) Term: **15 Years**

(21) Appl. No.: **29/770,368**

(22) Filed: **Feb. 11, 2021**

(51) **LOC (14) Cl.** **07-07**

(52) **U.S. Cl.**
USPC **D7/637**

(58) **Field of Classification Search**
USPC D7/387, 388, 393, 396.1, 401.1, 500, D7/550.1, 553.1, 553.2, 553, 3, 553.7,
(Continued)

(56) **References Cited**

U.S. PATENT DOCUMENTS

D353,078 S * 12/1994 Davis D7/637
5,738,425 A 4/1998 Rosenberg
(Continued)

FOREIGN PATENT DOCUMENTS

DE 102011016803 10/2012
DE 102015105202 10/2016
EP 002102343-0007 9/2012

OTHER PUBLICATIONS

MDHAND Kitchen Drawer Organizer, first available Jun. 4, 2020, Amazon, [online], [site visited Jul. 11, 2022], Available from

internet URL: <https://www.amazon.com/MDHAND-Kitchen-Drawer-Organizer-Expandable/dp/B089NTVNZQ> (Year: 2020).*

(Continued)

Primary Examiner — Mary Ann Calabrese
Assistant Examiner — Natalya M Rapundalo
(74) *Attorney, Agent, or Firm* — Rankin, Hill & Clark LLP

(57) **CLAIM**

The ornamental design for a drawer organizer, as shown and described.

DESCRIPTION

FIG. 1 is a top, front, left side perspective view of a drawer organizer, shown in a closed condition with a divider positioned in a front pocket of the drawer organizer, according to our new design;

FIG. 2 is a front elevation view of FIG. 1;
FIG. 3 is a rear elevation view of FIG. 1;
FIG. 4 is a left side elevation view of FIG. 1;
FIG. 5 is a right side elevation view of FIG. 1;
FIG. 6 is a top plan view of FIG. 1;
FIG. 7 is a bottom plan view of FIG. 1;
FIG. 8 is a top, rear, right side perspective view of FIG. 1;
FIG. 9 is a top, front, left side perspective view of the drawer organizer in the closed condition with the divider exploded from the front pocket;
FIG. 10 is a top, rear, right side perspective view of FIG. 9;
FIG. 11 is a top, front, left side perspective view of the drawer organizer, shown in an opened, expanded condition with the divider positioned in the front pocket of the drawer organizer;
FIG. 12 is a front elevation view of FIG. 11;
FIG. 13 is a rear elevation view of FIG. 11;
FIG. 14 is a left side elevation view of FIG. 11;
FIG. 15 is a right side elevation view of FIG. 11;
FIG. 16 is a top plan view of FIG. 11;
FIG. 17 is a bottom plan view of FIG. 11;
FIG. 18 is a top, rear, right side perspective view of FIG. 1;
FIG. 19 is a top, front, left side perspective view of the drawer organizer in the opened, expanded condition with the divider exploded from the front pocket; and,

(Continued)

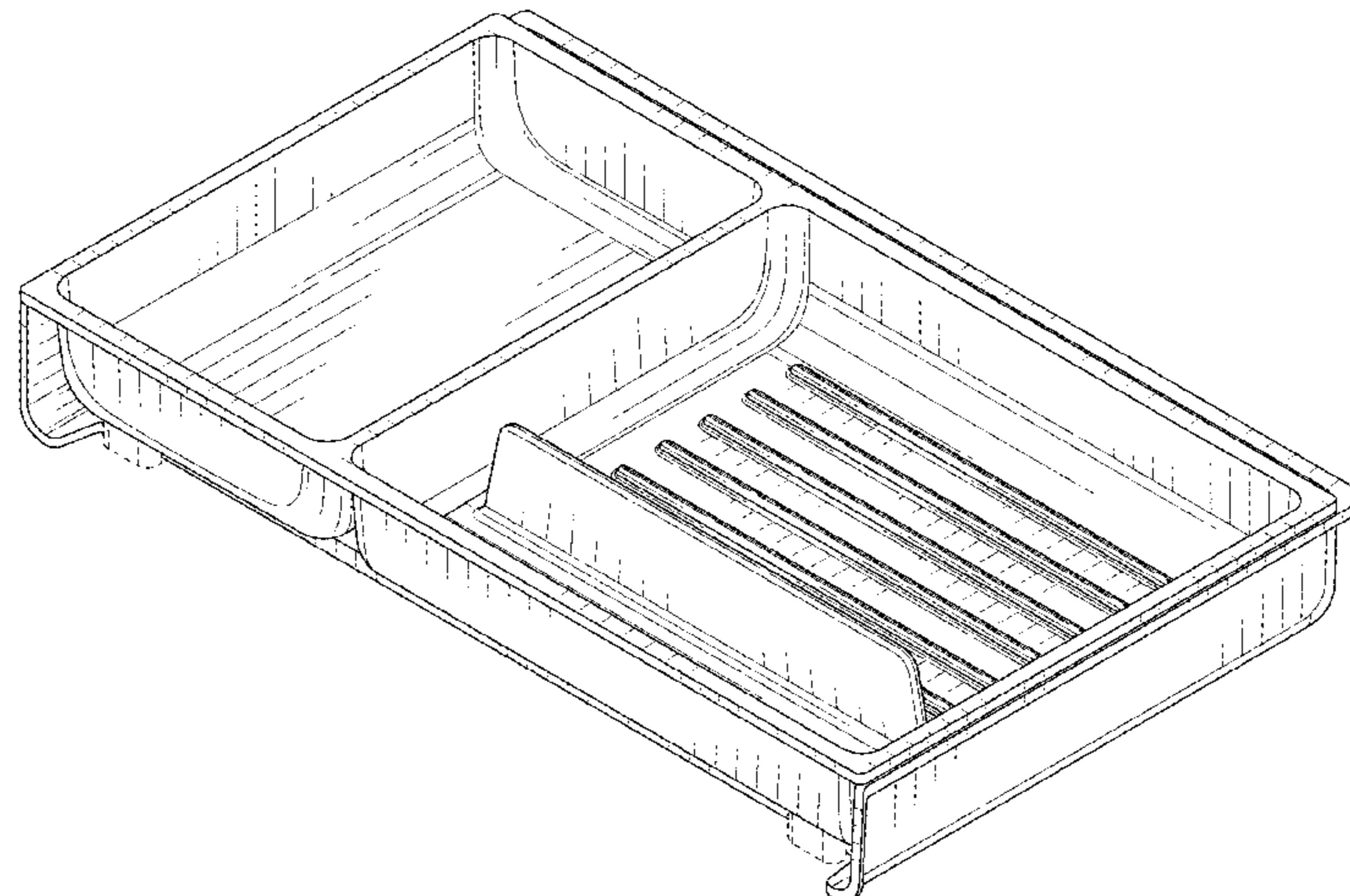


FIG. 20 is a top, rear, right side perspective view of FIG. 19. The broken lines in the drawings depict portions of the drawer organizer that form no part of the claimed design.

1 Claim, 16 Drawing Sheets

(58) **Field of Classification Search**

USPC D7/554.1, 554.3, 554.4, 555, 586, 587, D7/600.1, 601, 60, 2, 635-645, 701, 703, D7/707, 708; D3/210, 304, 305, 310, D3/313, 315; D6/683, 683.1; D19/75, D19/77, 81, 83; D27/172, 183, 186; D28/73, 76, 83, 91
 CPC ... A47B 88/969; A47B 88/975; A47B 88/988; A47B 88/994; A47B 2088/976; A47G 21/14; A47J 47/16; B65D 1/34; B65D 1/36; B65D 11/188; B65D 25/04; B65D 25/06

See application file for complete search history.

(56) **References Cited**

U.S. PATENT DOCUMENTS

D397,274	S	*	8/1998	Hise	D7/637
D421,554	S	*	3/2000	Govrik	D7/637
6,695,419	B2		2/2004	Searer		
D503,574	S	*	4/2005	Yao	D7/637
D569,196	S	*	5/2008	Angel	D7/637
D593,347	S		6/2009	Kilpatrick		
D707,501	S	*	6/2014	Breuss	D7/641
D708,852	S		7/2014	Ghiorgie		
D711,196	S		8/2014	May		
D711,691	S		8/2014	Hu		
D746,643	S		1/2016	Kraemer		
D830,060	S	*	10/2018	Kraemer	D3/310
D830,792	S	*	10/2018	Hsu	D7/637
D843,791	S	*	3/2019	Noe	D7/637
D846,281	S		4/2019	Greenwood		
D848,151	S		5/2019	Greenwood		
D856,094	S	*	8/2019	Joseph	D7/637

D886,543	S		6/2020	Repko		
D886,544	S		6/2020	Repko		
D898,528	S		10/2020	Repko		
D923,429	S	*	6/2021	Repko	D7/637
D925,226	S	*	7/2021	Hazelton	B65D 25/06 D3/304
2004/0004420	A1		1/2004	Pine		
2008/0073241	A1	*	3/2008	Naden	B65D 25/06 206/553
2008/0083753	A1		4/2008	Escobar		

OTHER PUBLICATIONS

Design No. 008643225-0003, Aug. 9, 2021—European Union Intellectual Property Office (EUIPO) Publication Date—Aug. 16, 2021 Owner—Helen of Troy Limited, Designer—Morris Elijah Worden IV, Brandon Rodriguez DesignView, available at www.tmdn.org/tmdsview-web/welcome (Year: 2021).*

Design No. 008643225-0004, Aug. 9, 2021—European Union Intellectual Property Office (EUIPO) Publication Date—Aug. 16, 2021 Owner—Helen of Troy Limited, Designer—Morris Elijah Worden IV, Brandon Rodriguez DesignView, available at www.tmdn.org/tmdsview-web/welcome (Year: 2021).*

OXO Good Grips Large Expandable Kitchen Tool Organizer, first available Jul. 21, 2021, Amazon, [online], [site visited Jul. 5, 2022], Available from internet URL: <https://www.amazon.com/OXO-Grips-Compact-Drawer-Organizer/dp/B09B188SM5> (Year: 2021).*

mDesign Plastic Adjustable Expandable Divided Drawer Storage Organizer, first available Mar. 28, 2019, Amazon, [online], [site visited Feb. 10, 2021], Available from internet URL: <https://www.amazon.com/dp/B07Q59Z68J> (Year: 2019).*

Sorbus Flatware Drawer Organizer, Amazon, [online], [site visited Feb. 10, 2021], Available from internet URL: <https://www.amazon.com/dp/B079QBSN5J> (Year: 2021).*

<https://www.containerstore.com/s/drawer-organizers/expandable-acacia-utensil-tray/1d?productId=11011629&theme=expandable%20drawer%20organizer&pos=16> (made publicly available prior to Feb. 11, 2021).

<https://www.target.com/p/bamboo-expandable-flatware-drawer-organizer-threshold-8482/-/A-14771050%23Ink=sametab> (made publicly available prior to Feb. 11, 2021).

* cited by examiner

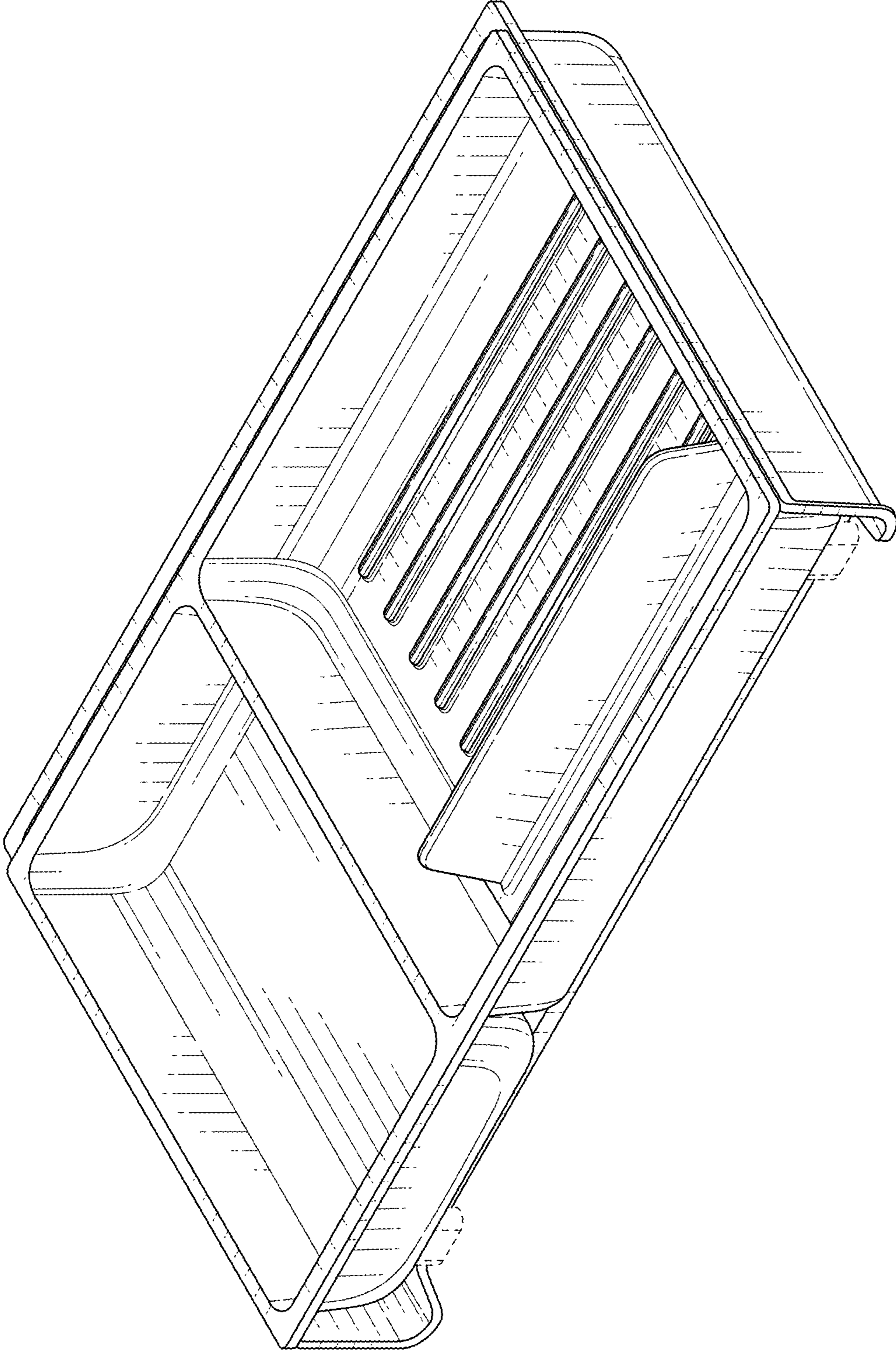


FIG. 1

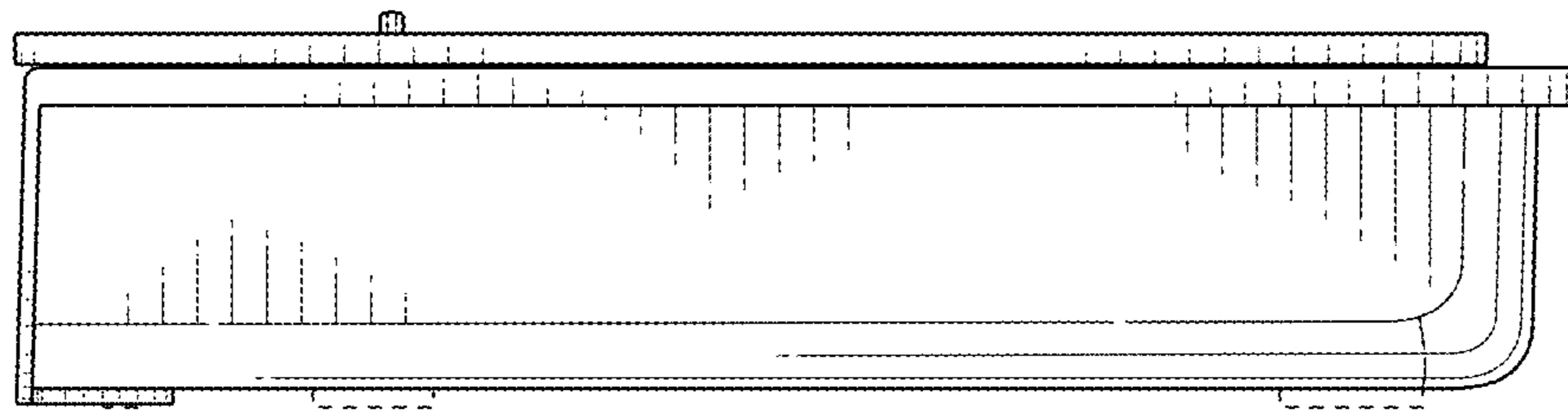


FIG. 2

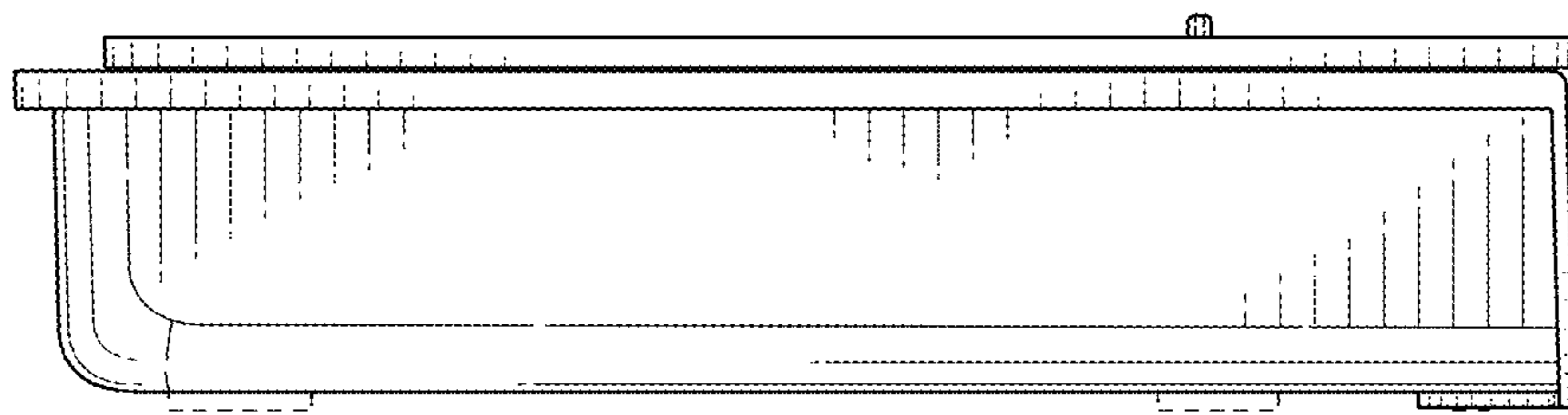


FIG. 3

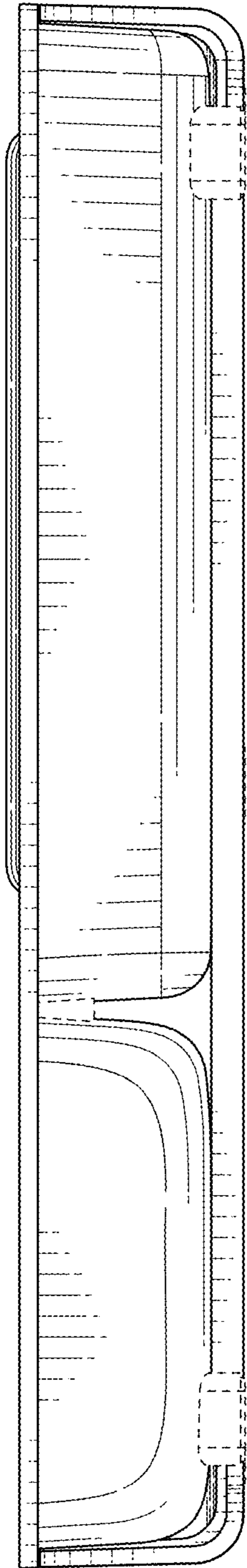


FIG. 4

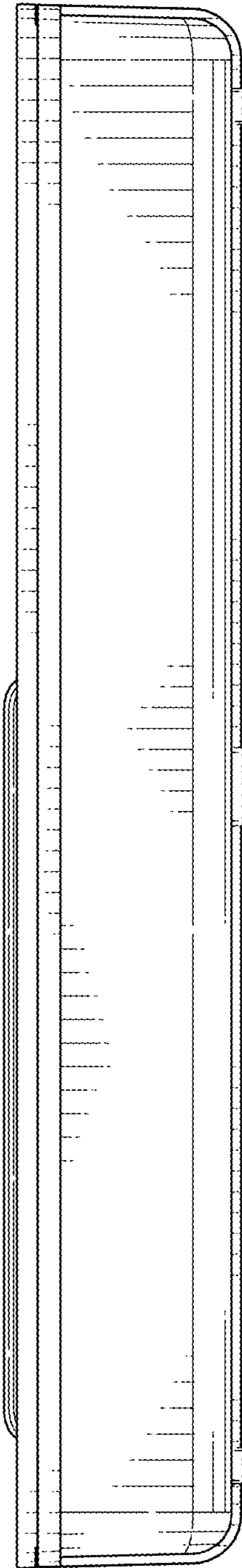


FIG. 5

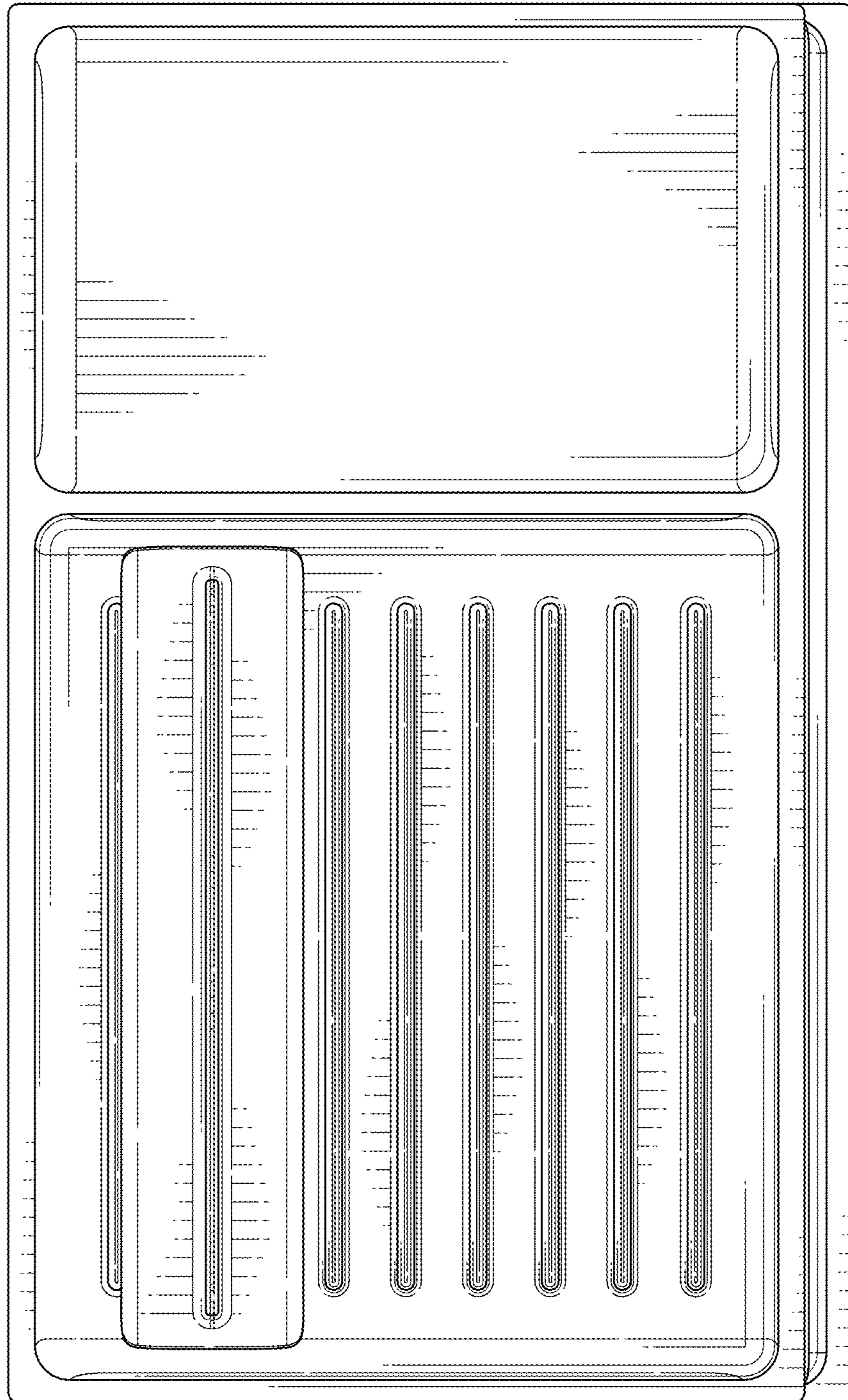


FIG. 6

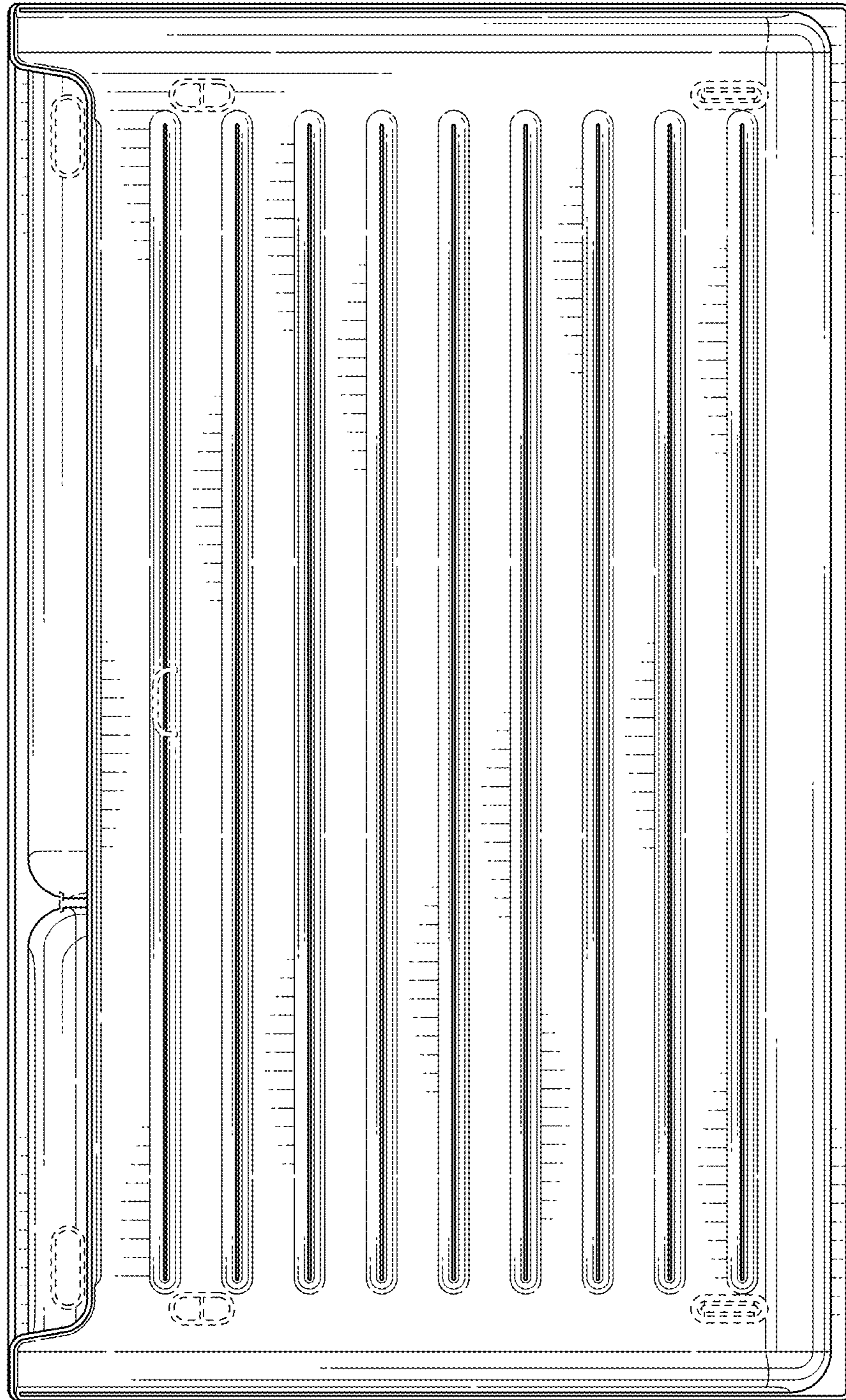


FIG. 7

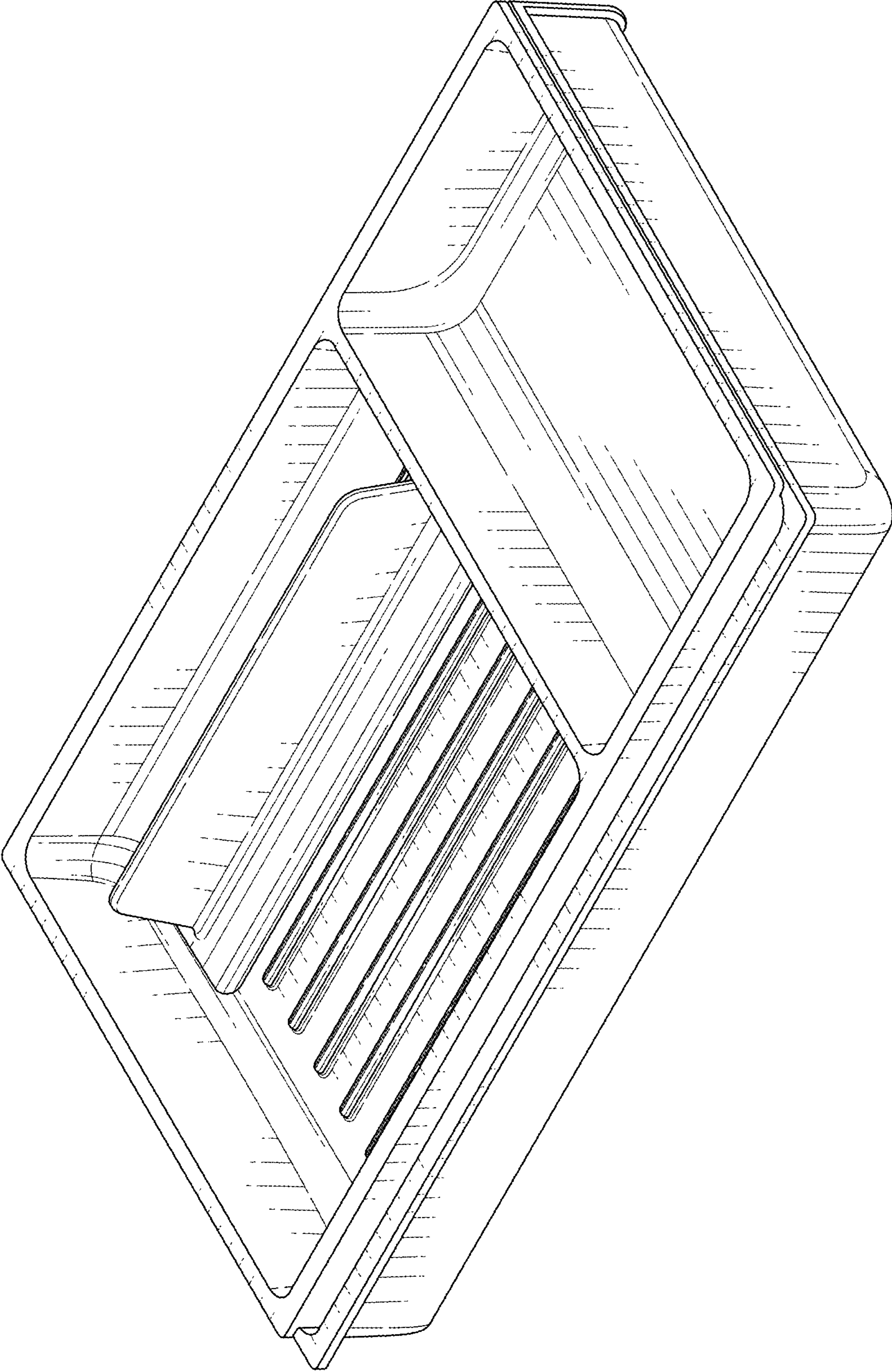


FIG. 8

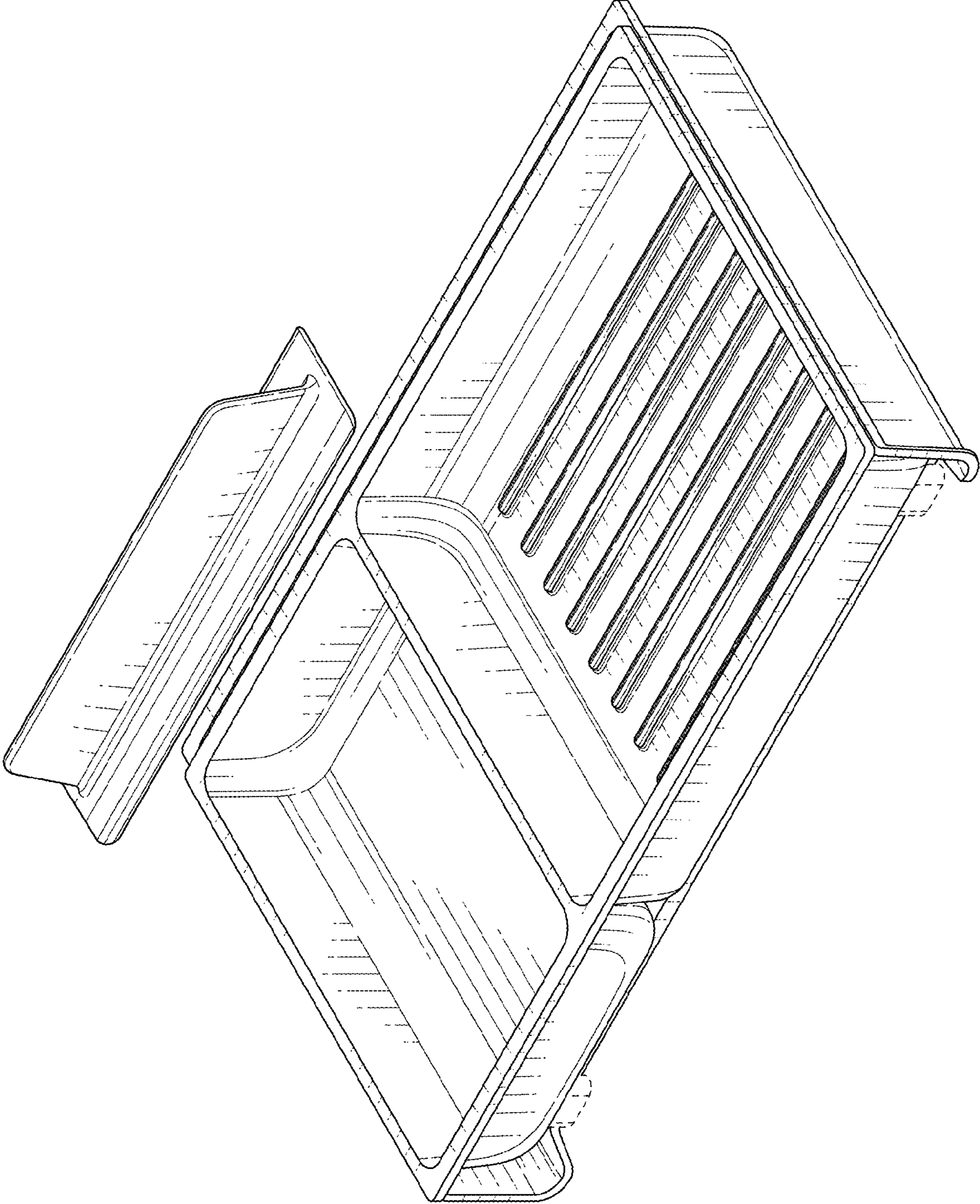


FIG. 9

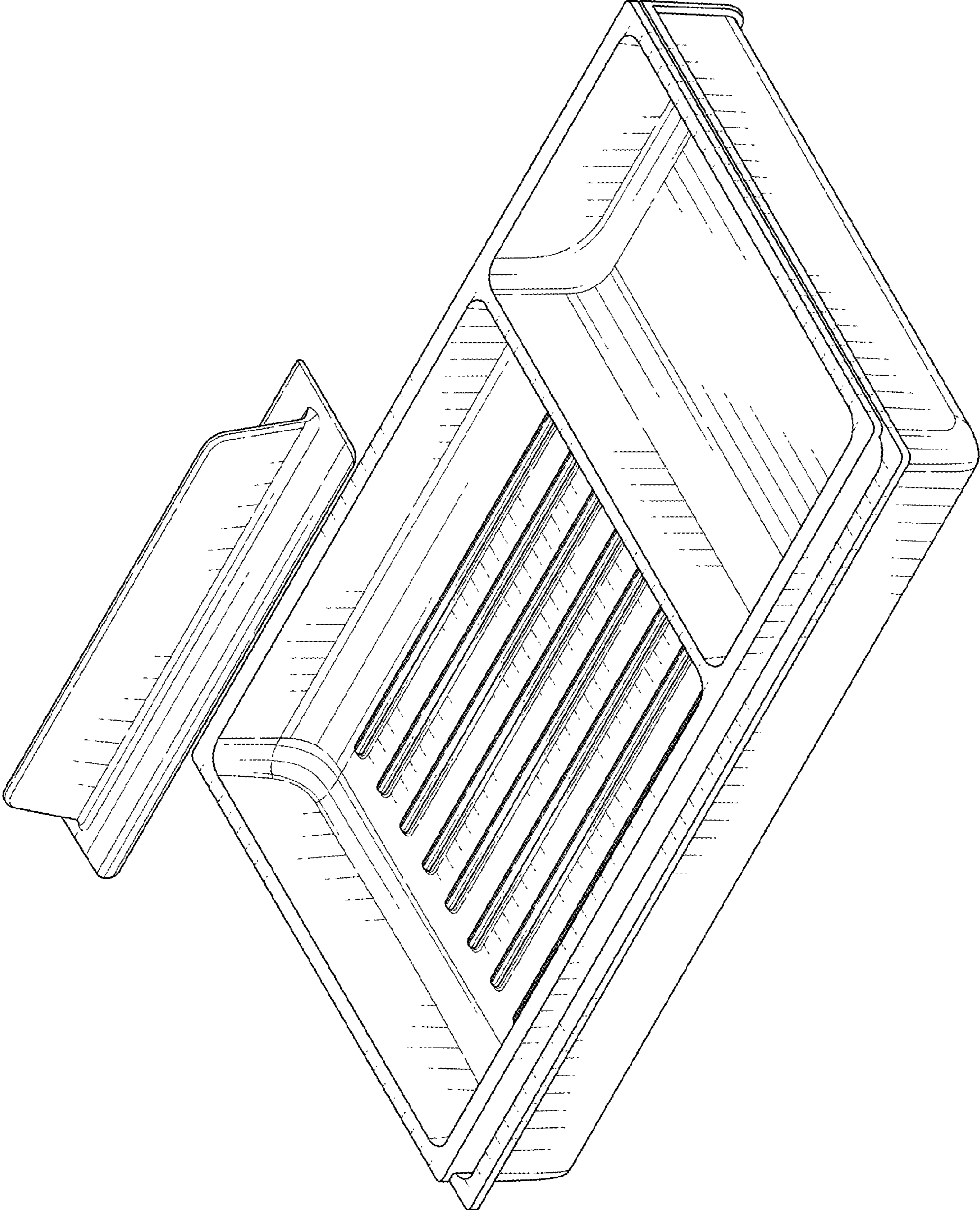


FIG. 10



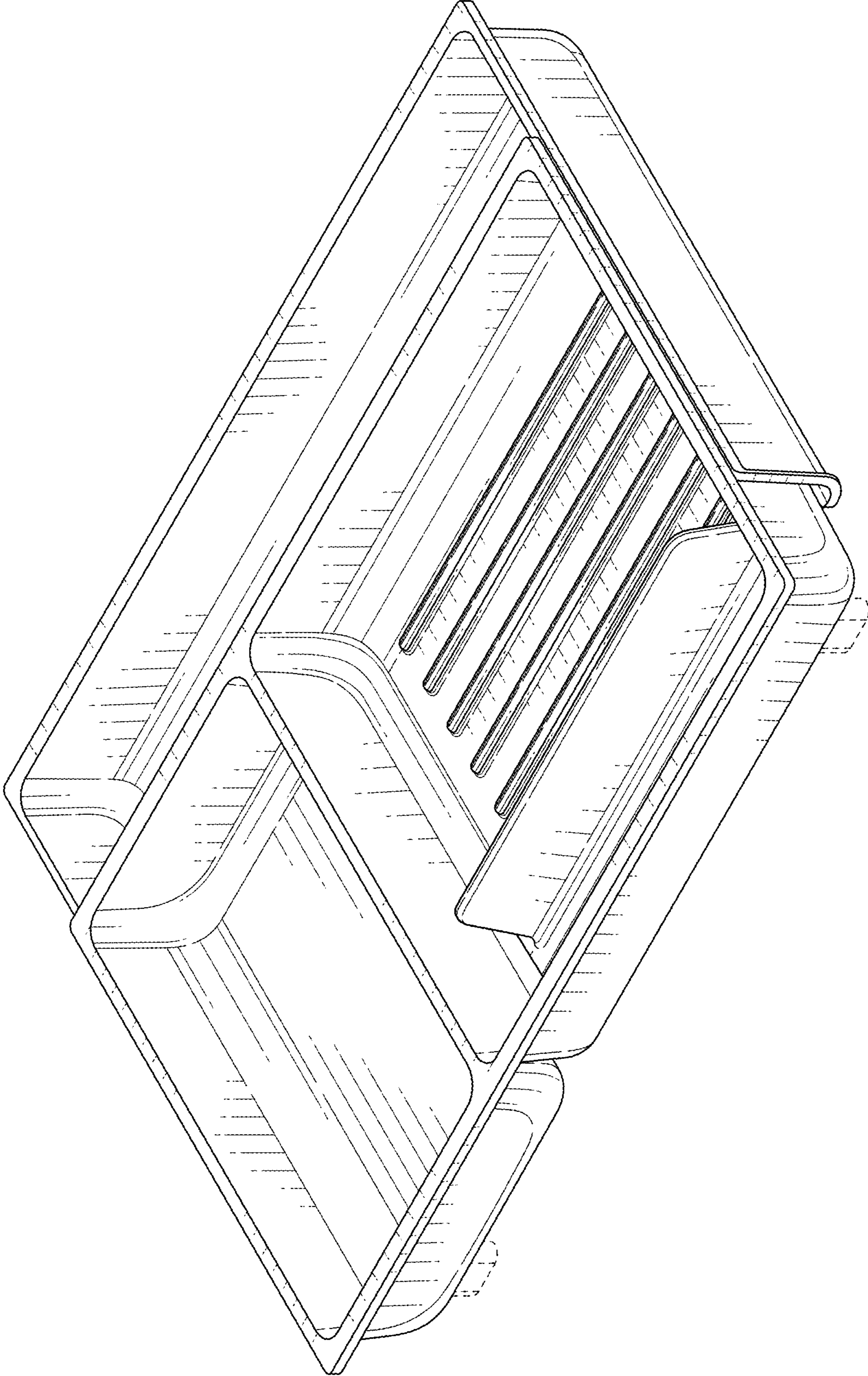


FIG. 11

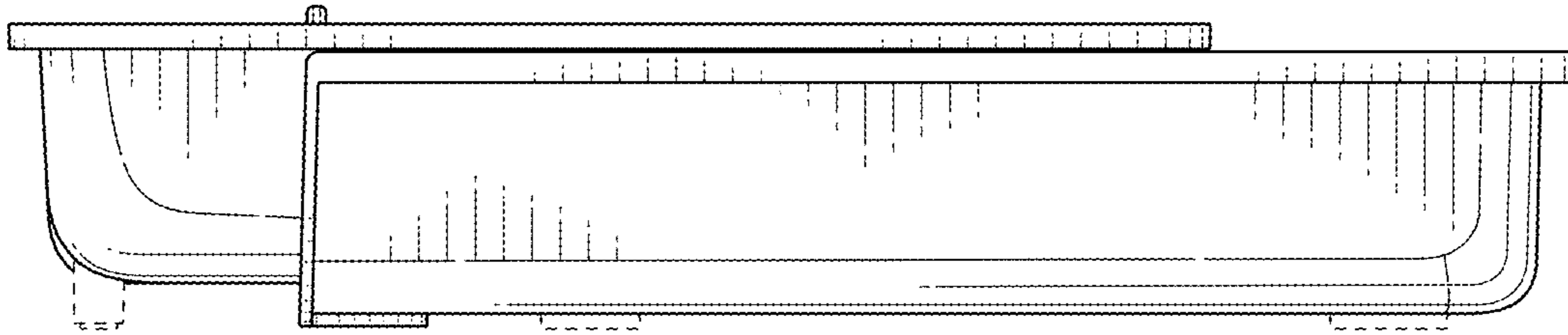


FIG. 12

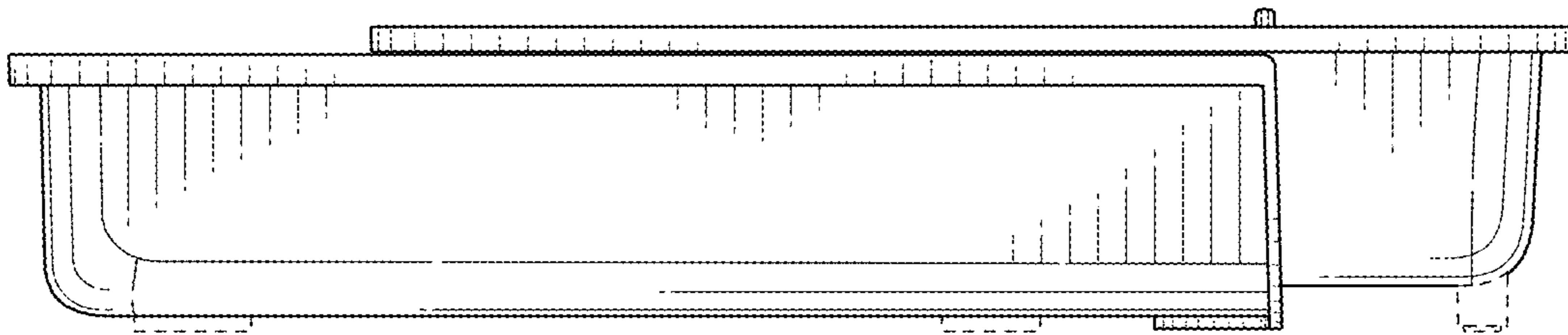


FIG. 13

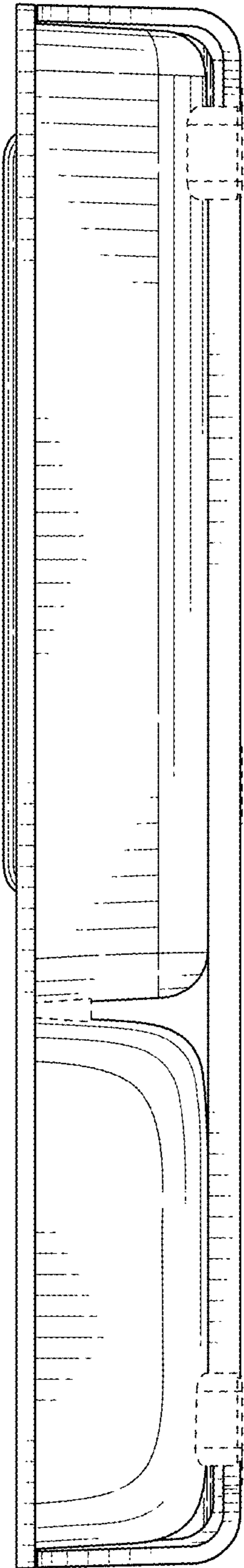


FIG. 14

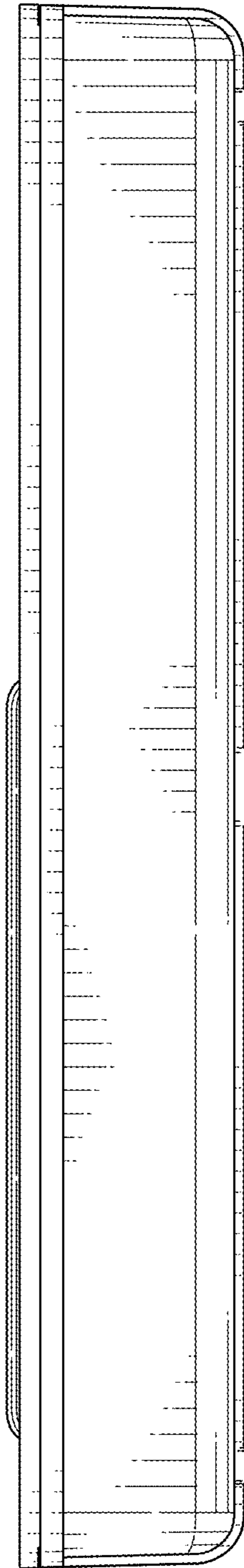


FIG. 15

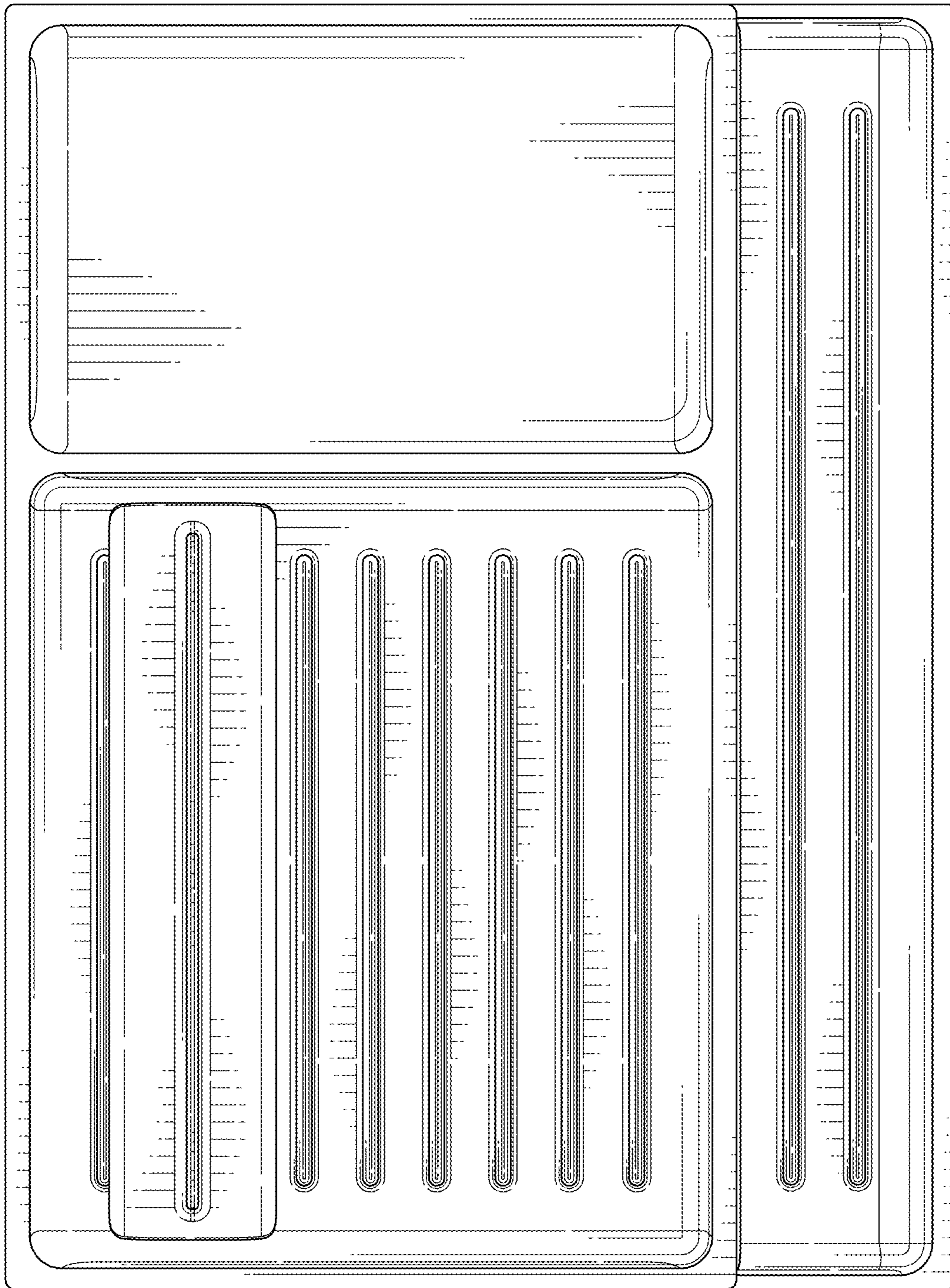


FIG. 16

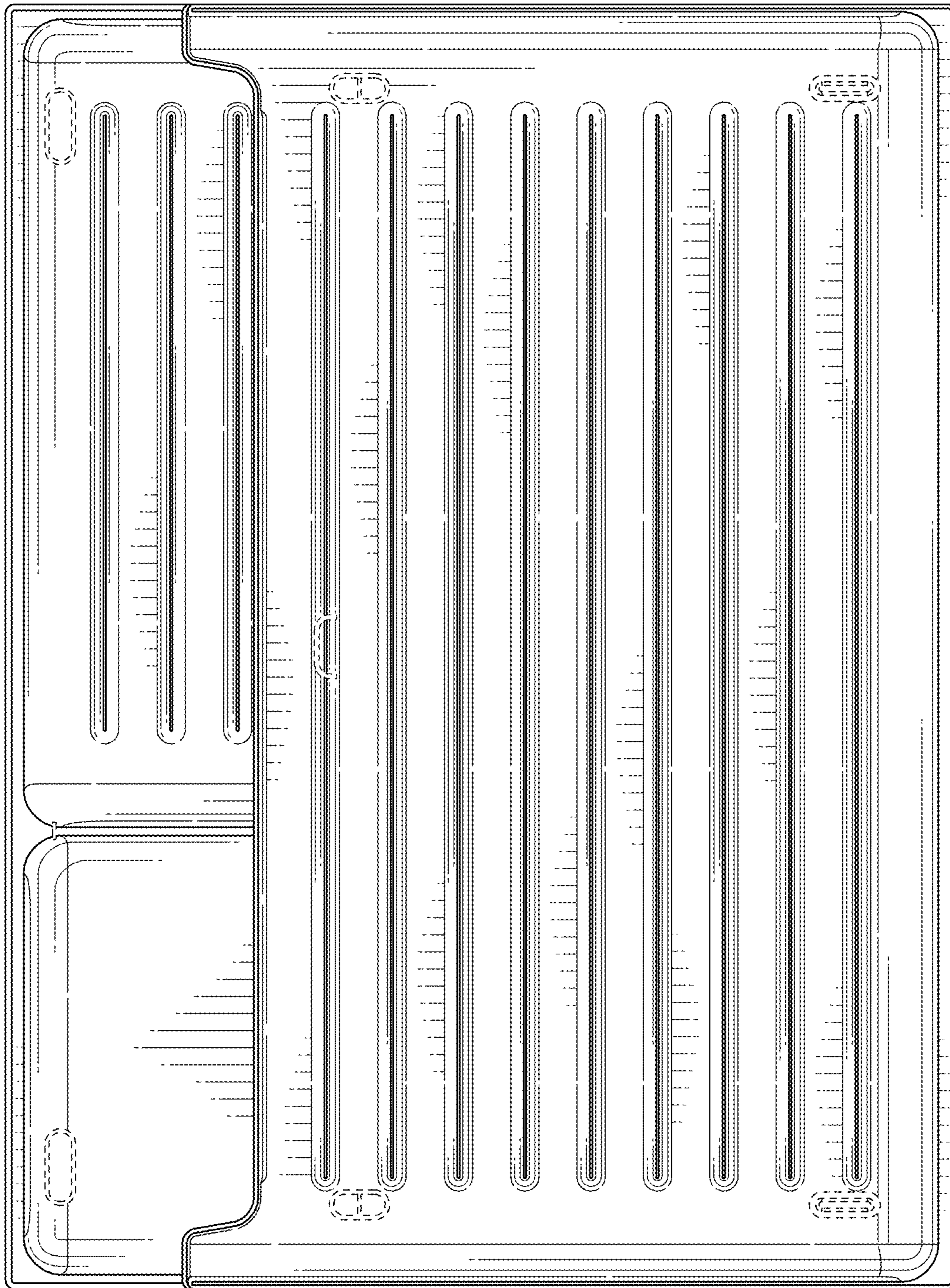


FIG. 17

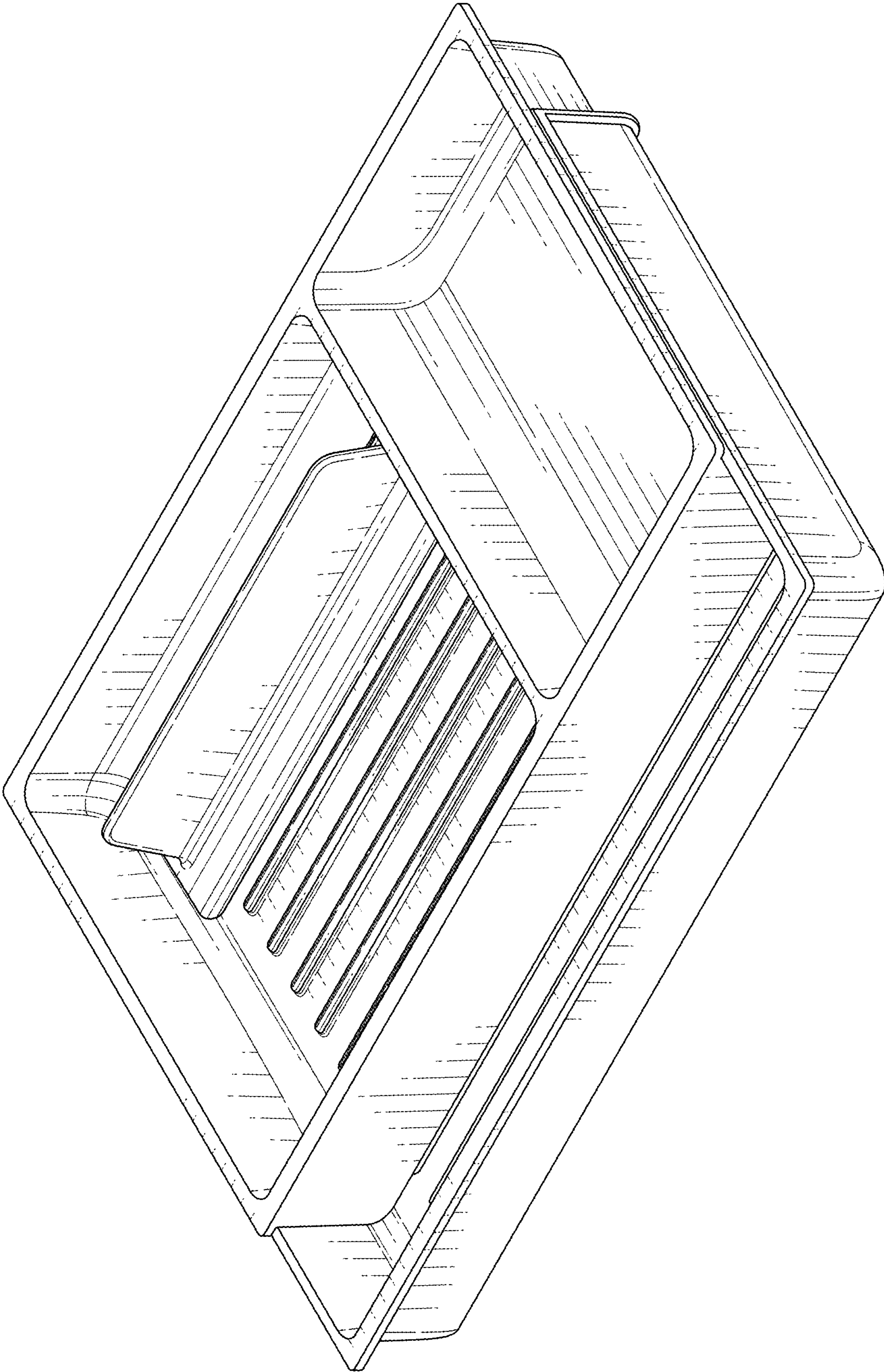


FIG. 18

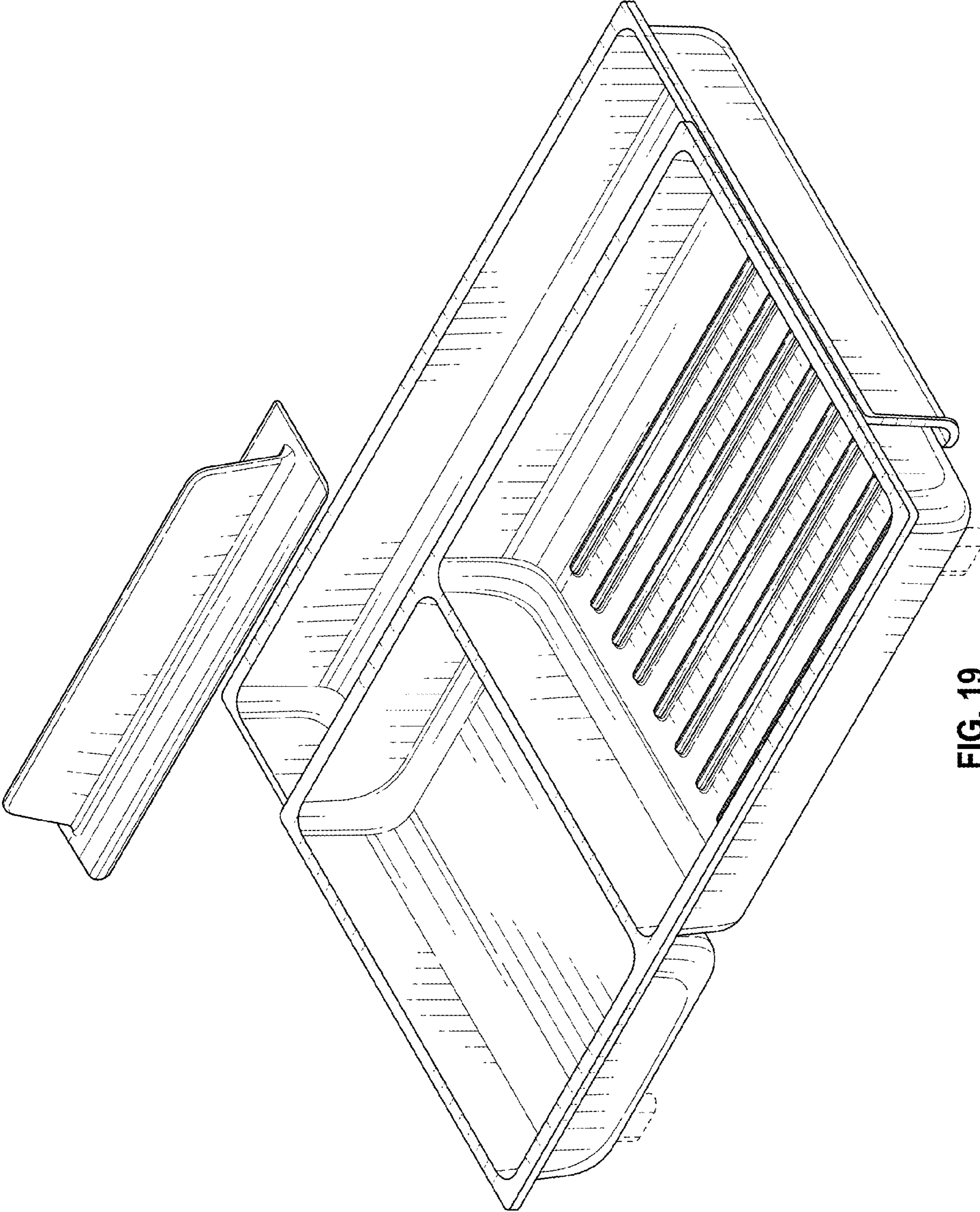


FIG. 19



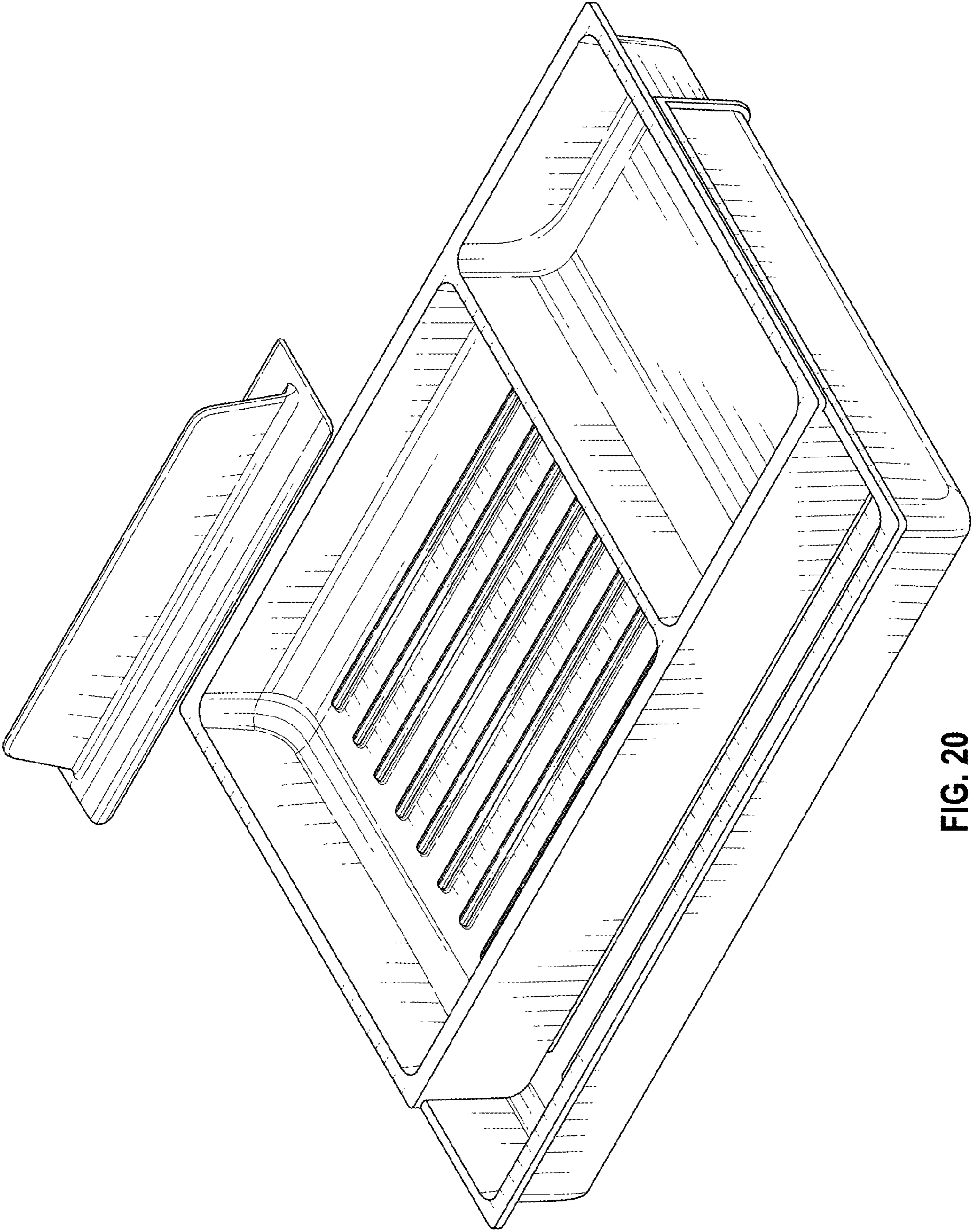


FIG. 20