



US00D976656S

(12) **United States Design Patent**  
**Li**

(10) **Patent No.:** **US D976,656 S**

(45) **Date of Patent:** **\*\* Jan. 31, 2023**

(54) **FRESH-KEEPING BAG**

(71) Applicant: **Caiyun Li**, Hunan Province (CN)

(72) Inventor: **Caiyun Li**, Hunan Province (CN)

(\*\*) Term: **15 Years**

(21) Appl. No.: **29/798,025**

(22) Filed: **Jul. 5, 2021**

(51) **LOC (14) Cl.** ..... **09-07**

(52) **U.S. Cl.**  
USPC ..... **D7/629**

(58) **Field of Classification Search**  
USPC ..... D7/601, 602, 629; D9/414, 420, 424,  
D9/430, 432, 434, 435; D3/203.1, 203.6;  
D19/102, 104, 106  
CPC ..... A45C 11/20; A45C 11/34; A45C 11/36;  
B65D 81/34; B65D 85/30; B65D 25/04  
See application file for complete search history.

(56) **References Cited**

**U.S. PATENT DOCUMENTS**

D633,756 S \* 3/2011 Bago ..... D7/629  
D700,483 S \* 3/2014 Yessin ..... D7/629  
D718,983 S \* 12/2014 Yessin ..... D7/629  
D755,578 S \* 5/2016 Wu ..... D7/629

D805,857 S \* 12/2017 Mei ..... D7/629  
D814,883 S \* 4/2018 Day ..... D7/629  
D878,876 S \* 3/2020 Dalton ..... D7/629  
D898,526 S \* 10/2020 Delgado Carmona ..... D7/629  
D911,119 S \* 2/2021 Zhong ..... D7/629  
D960,663 S \* 8/2022 Chung ..... D9/761  
11,434,048 B2 \* 9/2022 Mueller ..... B65D 21/0233

\* cited by examiner

*Primary Examiner* — Andrew Kerr

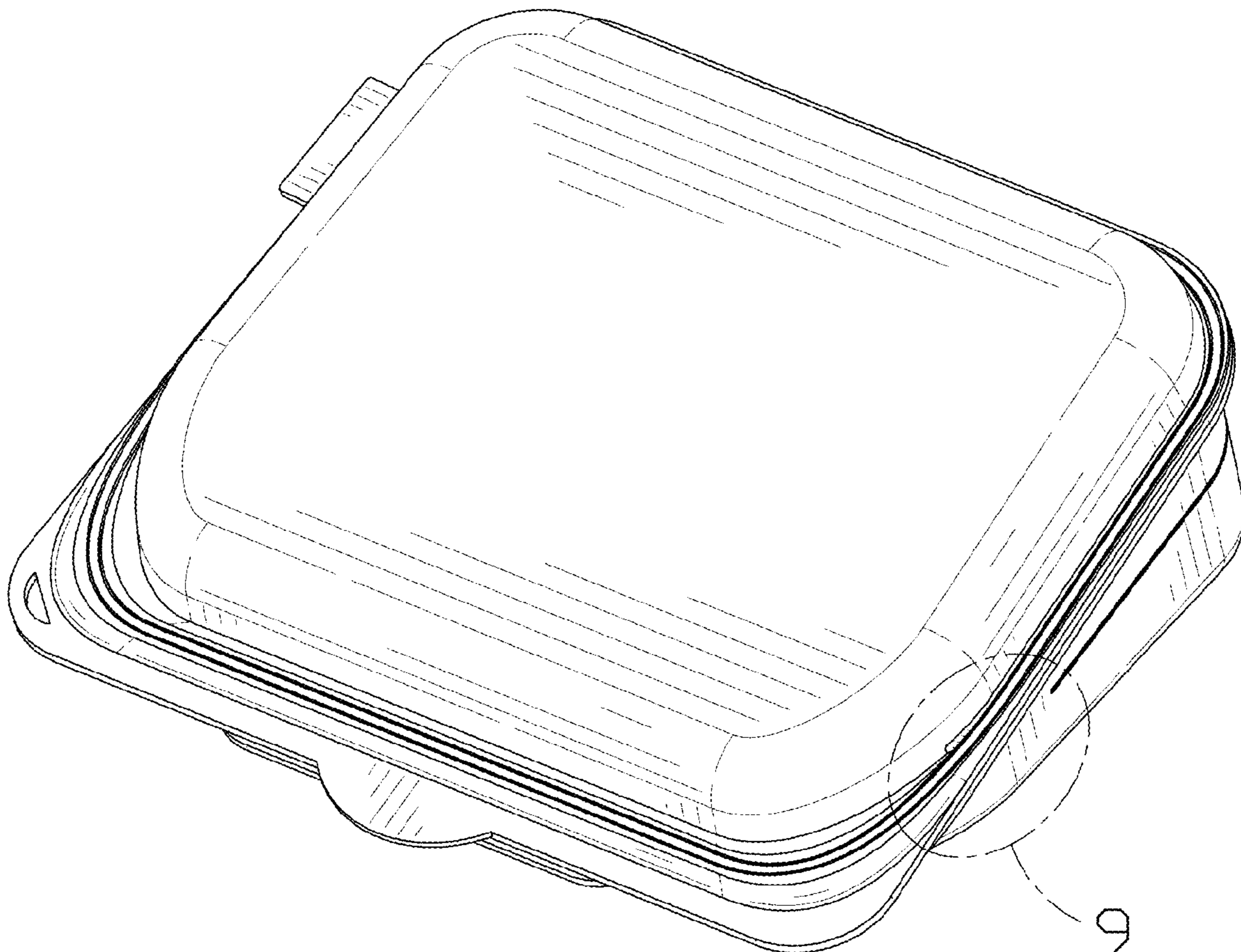
(57) **CLAIM**

The ornamental design for a fresh-keeping bag, as shown and described.

**DESCRIPTION**

FIG. 1 is a front and top perspective view of a fresh-keeping bag, showing my new design;  
FIG. 2 is a rear and bottom perspective view thereof;  
FIG. 3 is a front elevation view thereof;  
FIG. 4 is a rear elevation view thereof;  
FIG. 5 is a left side elevation view thereof;  
FIG. 6 is a right side elevation view thereof;  
FIG. 7 is a top plan view thereof;  
FIG. 8 is a bottom plan view thereof;  
FIG. 9 is an enlarged view of region 9 in FIG. 1; and,  
FIG. 10 is an enlarged view of region 10 in FIG. 2.  
The dash-dot-dash broken lines framing portions of the claimed design in FIGS. 1, 2, 9 and 10 that are illustrated in enlargements form no part of the claimed design.

**1 Claim, 10 Drawing Sheets**



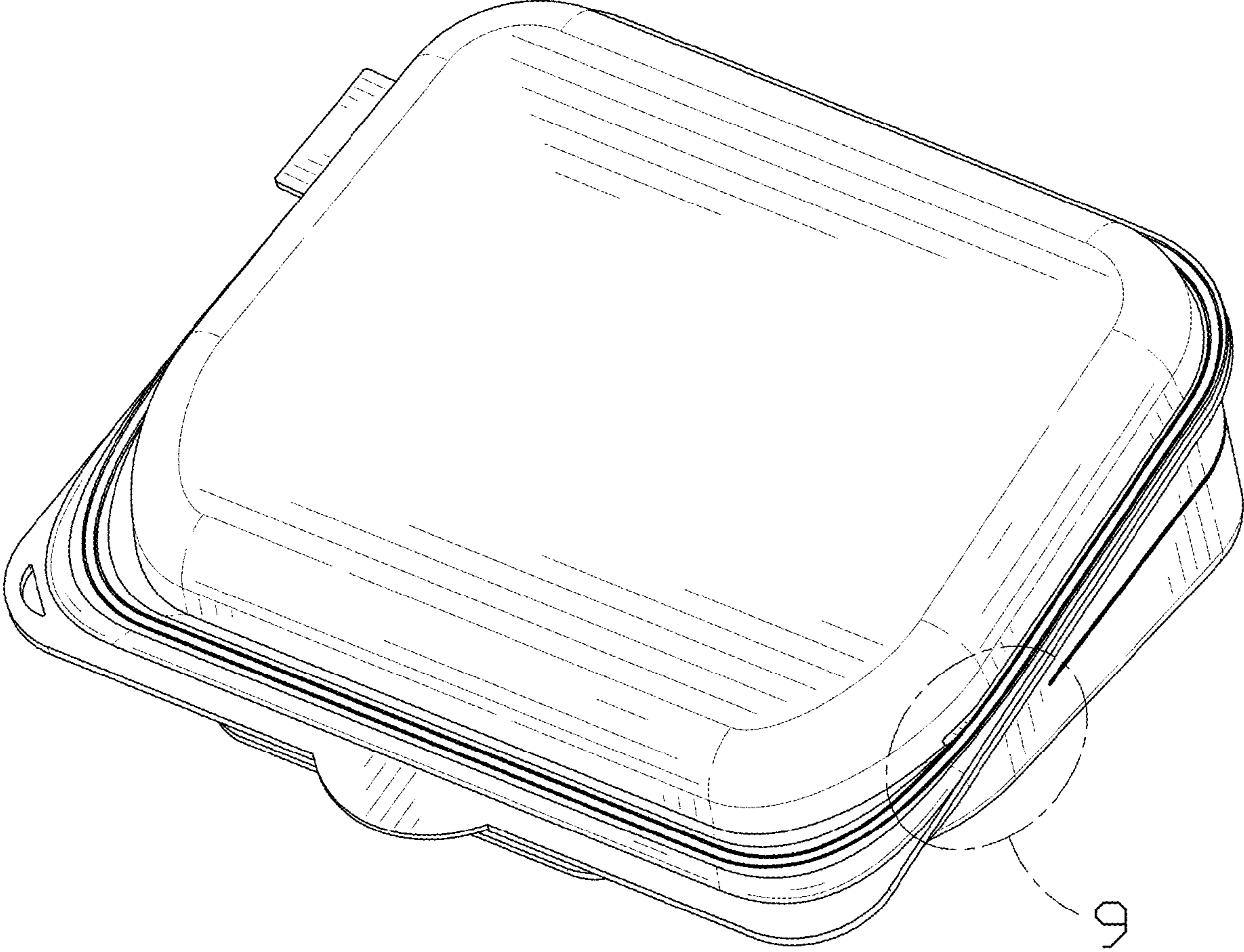


FIG. 1

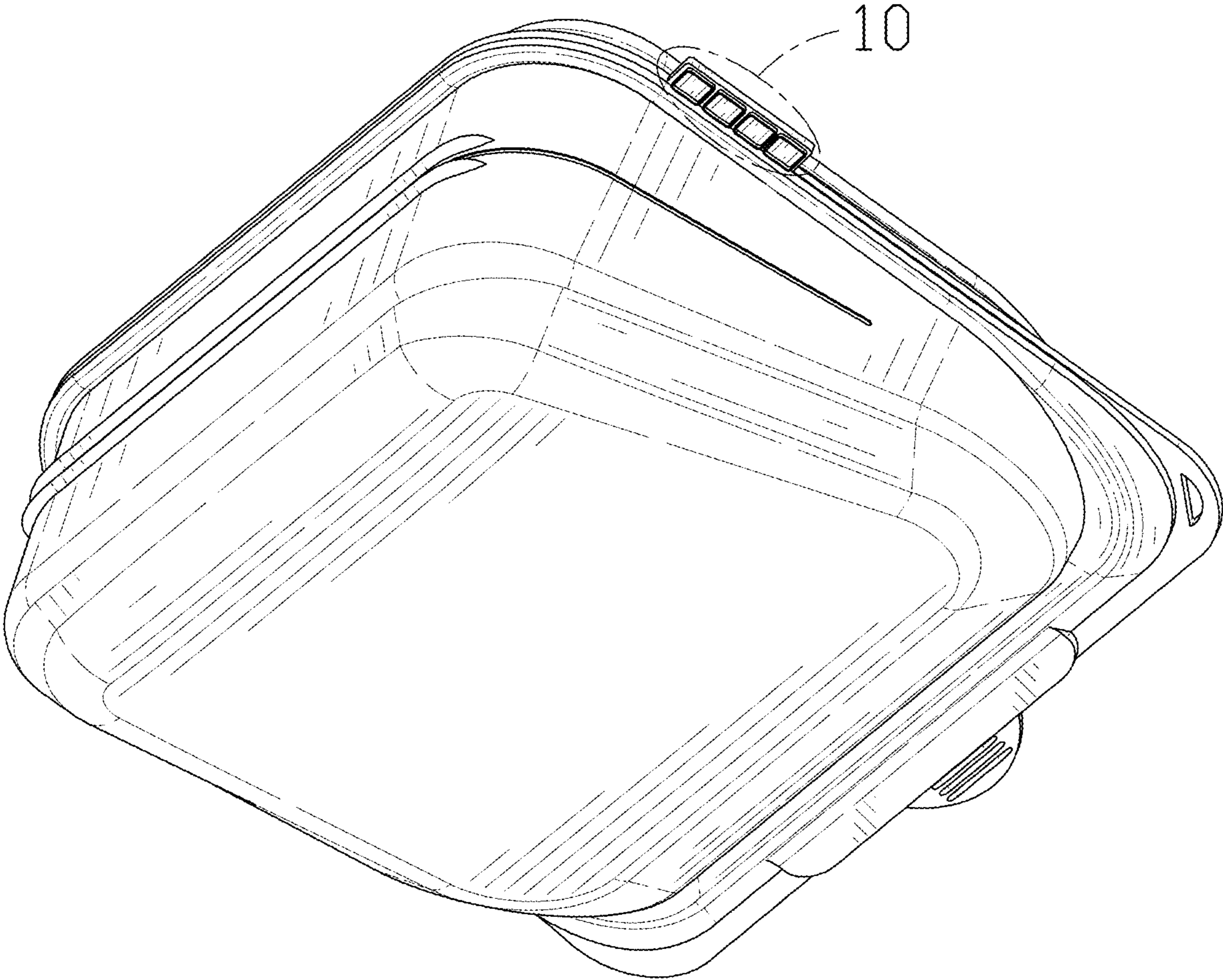


FIG. 2



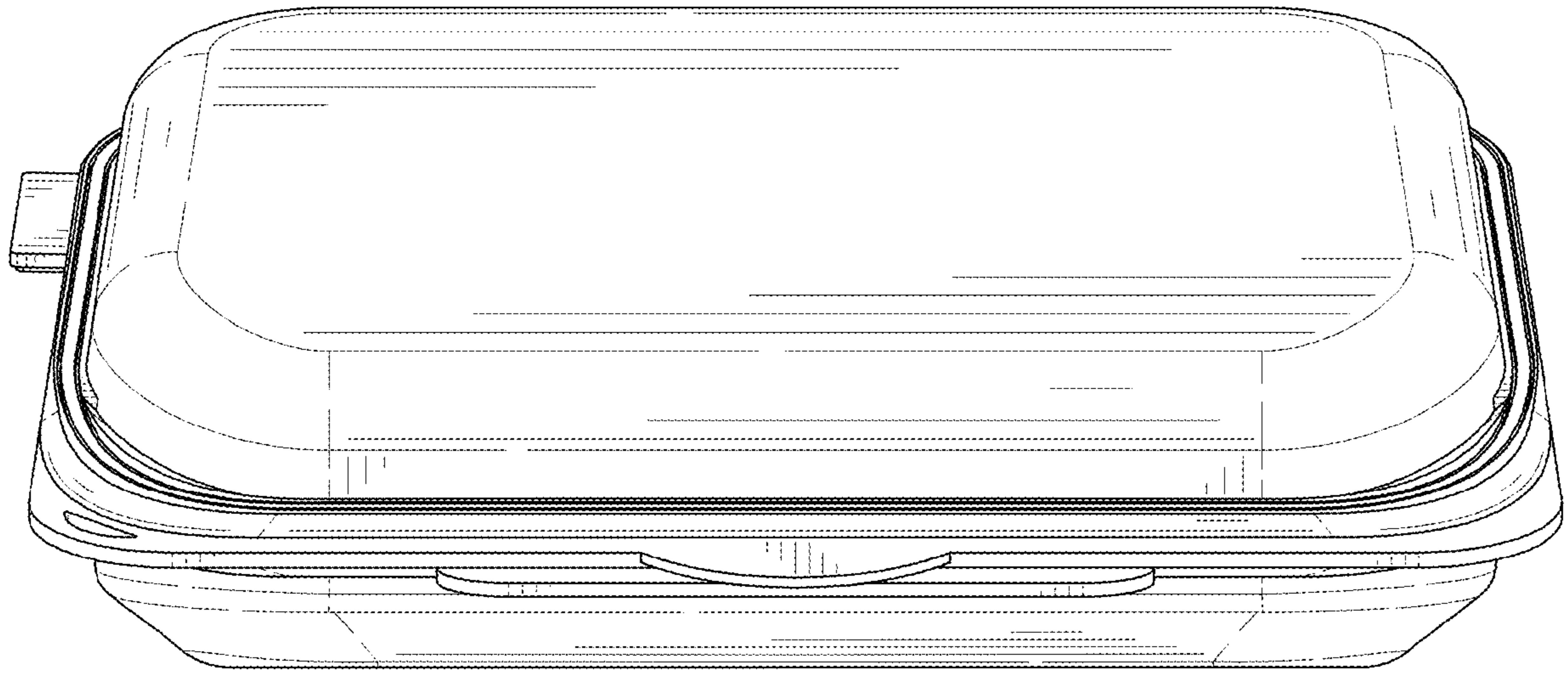


FIG. 3

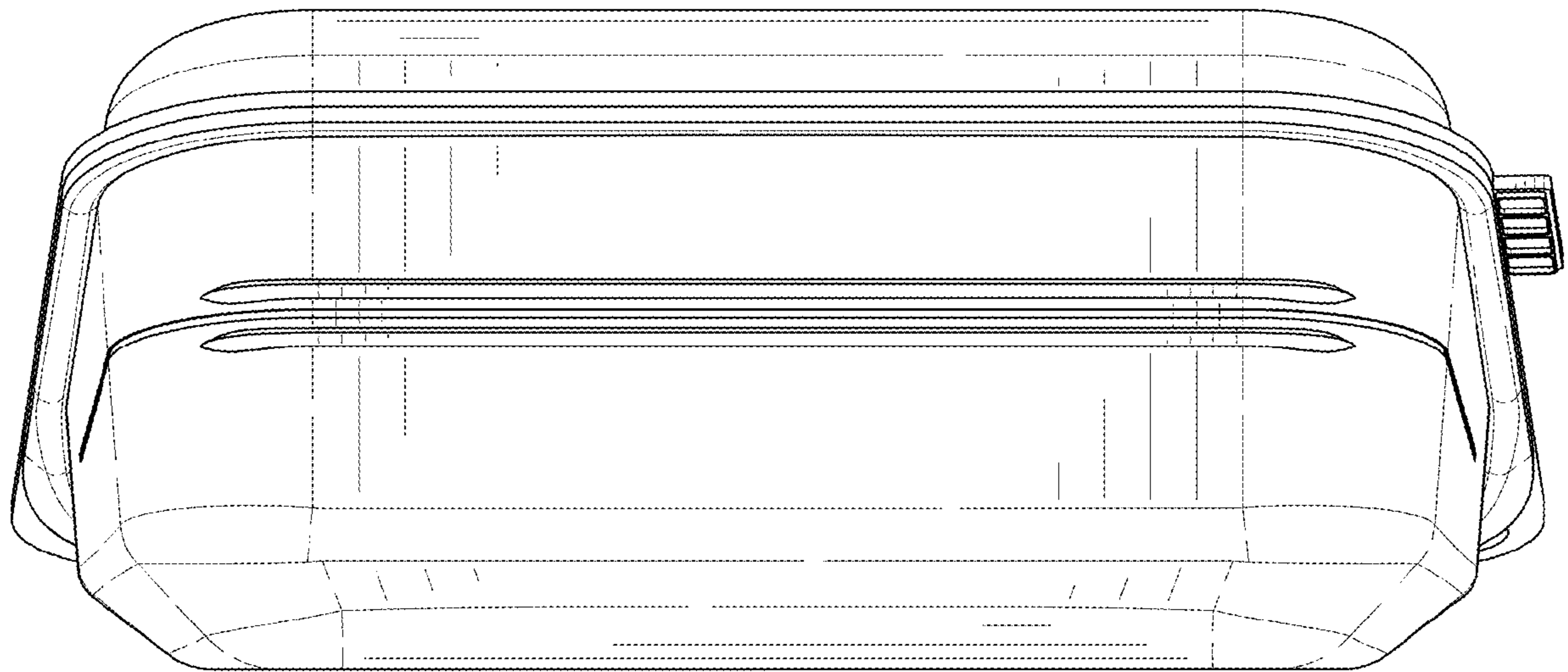


FIG. 4

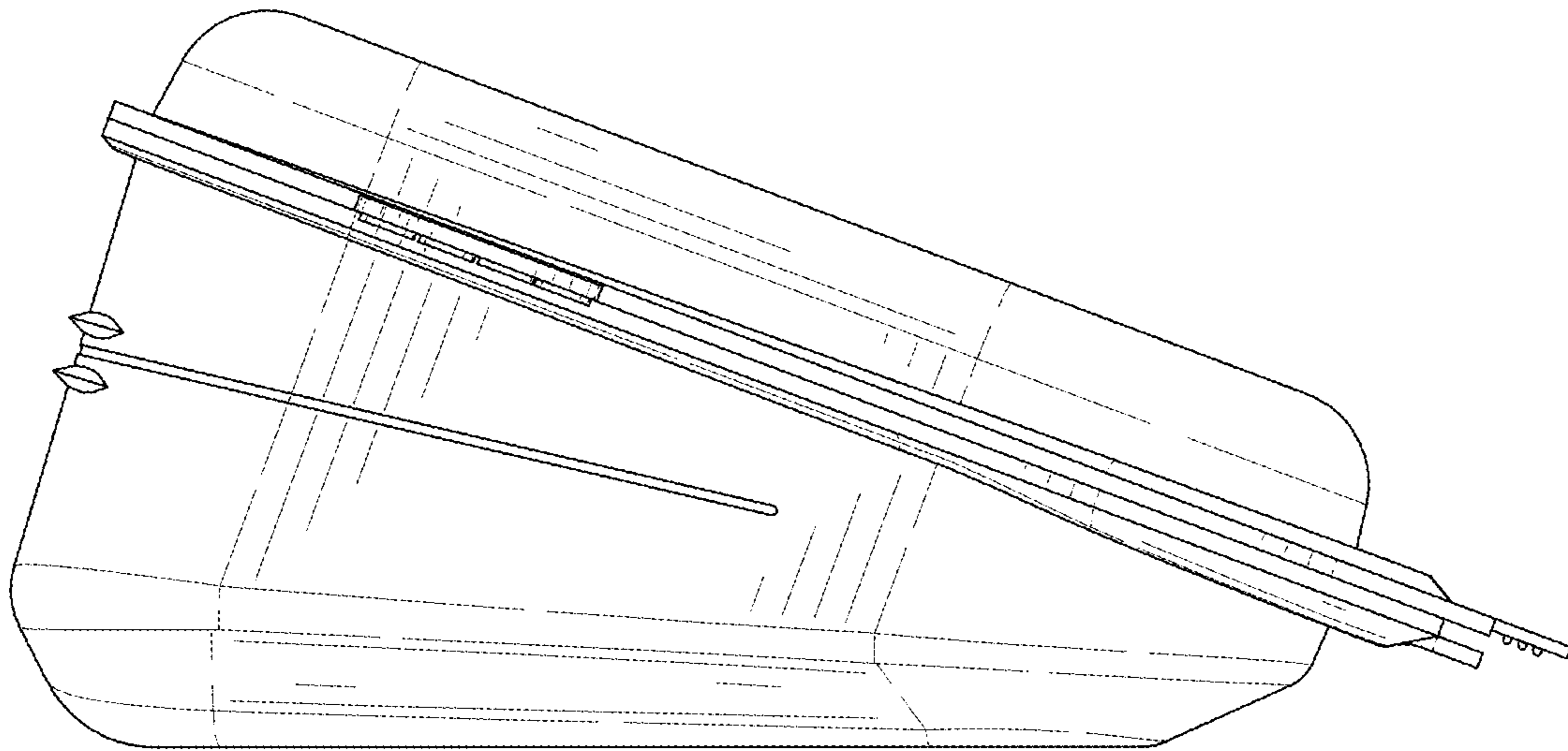


FIG. 5

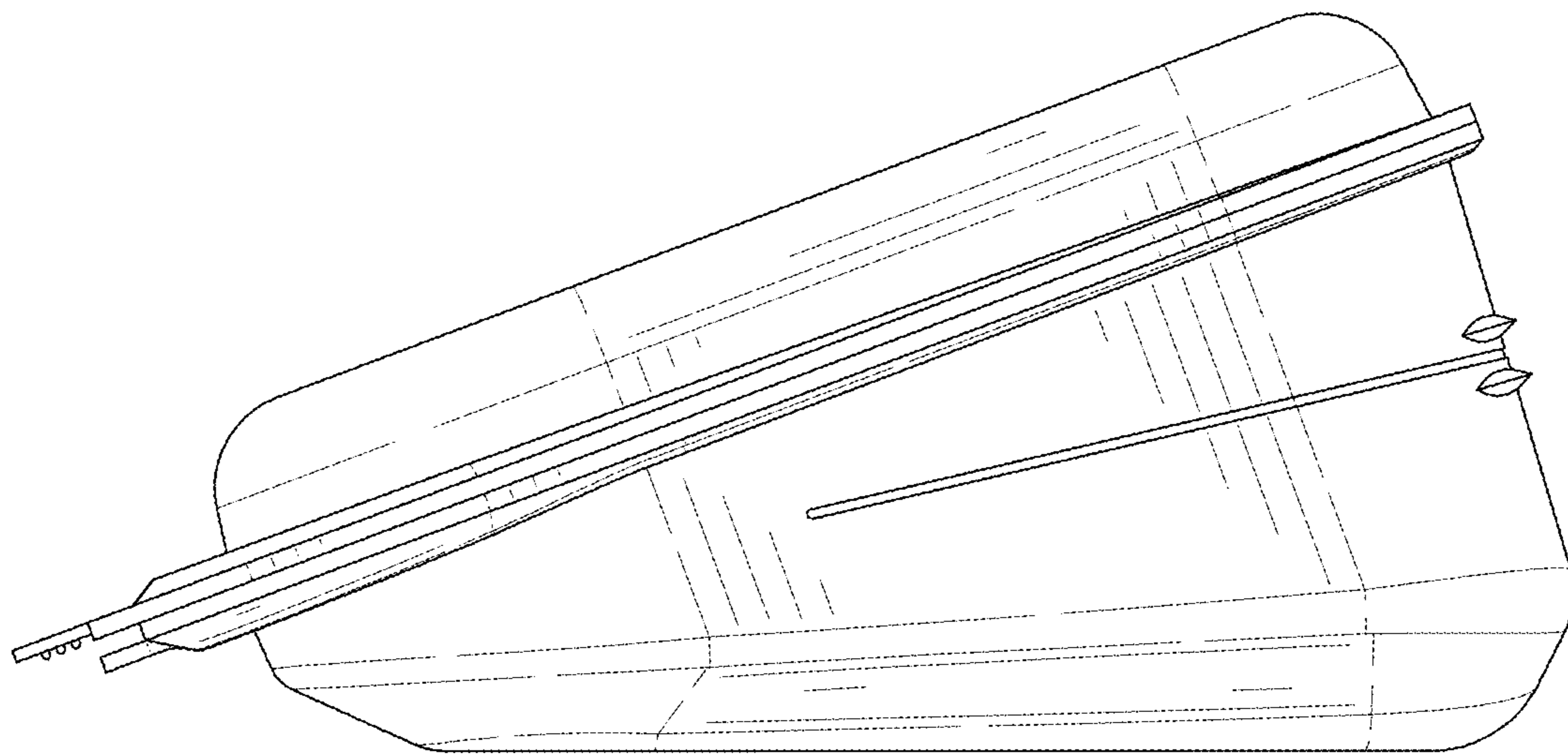


FIG. 6

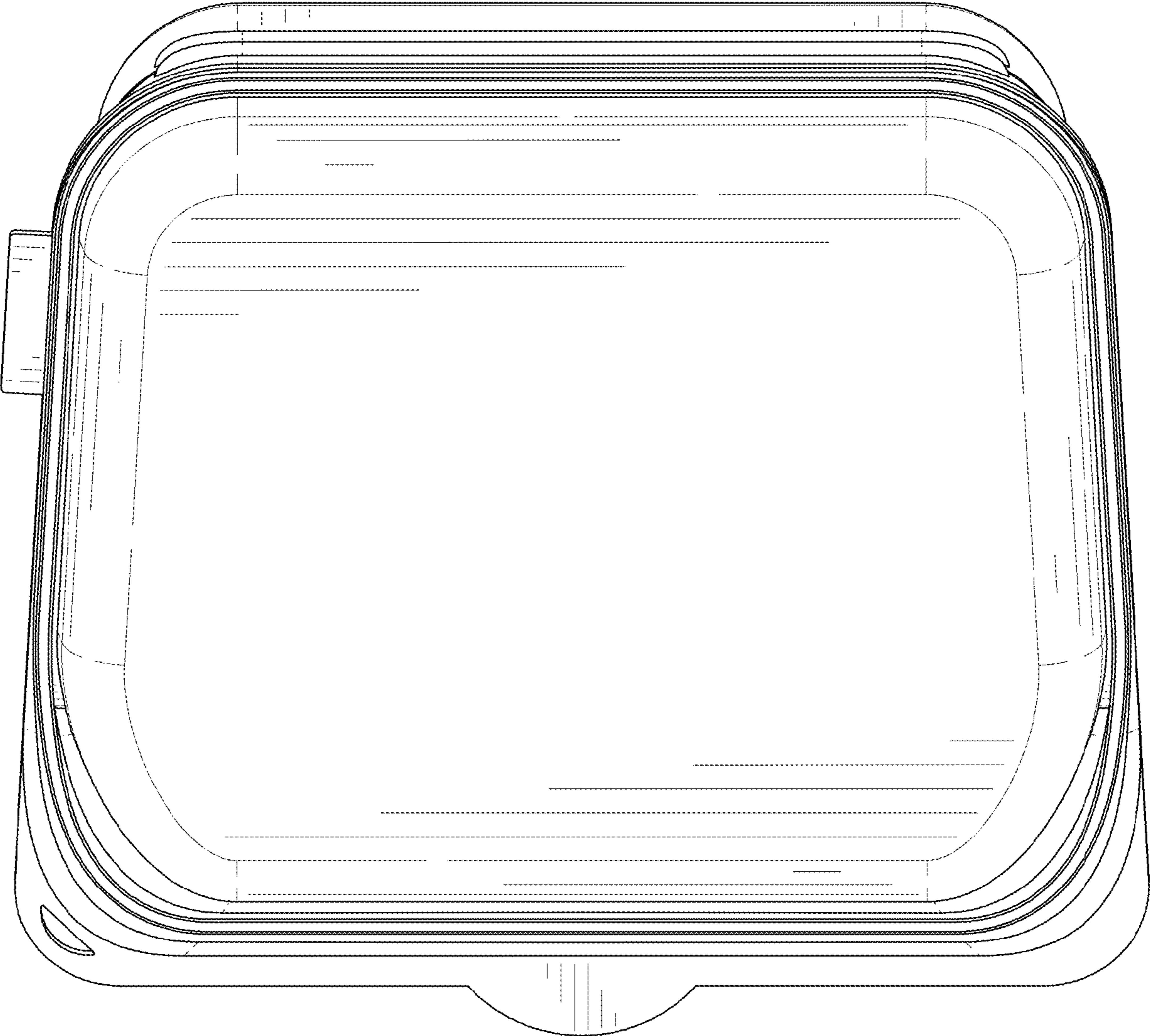


FIG. 7



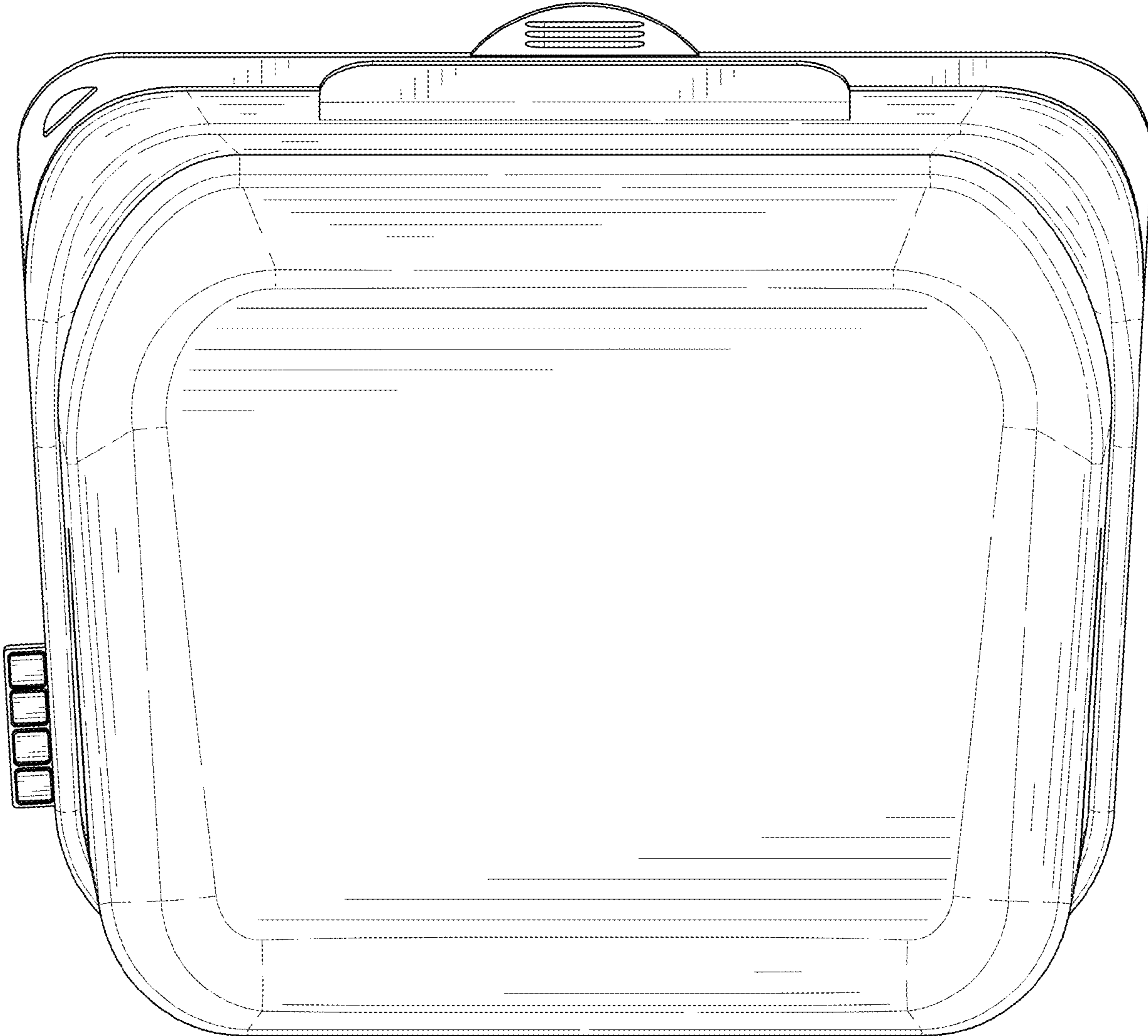


FIG. 8

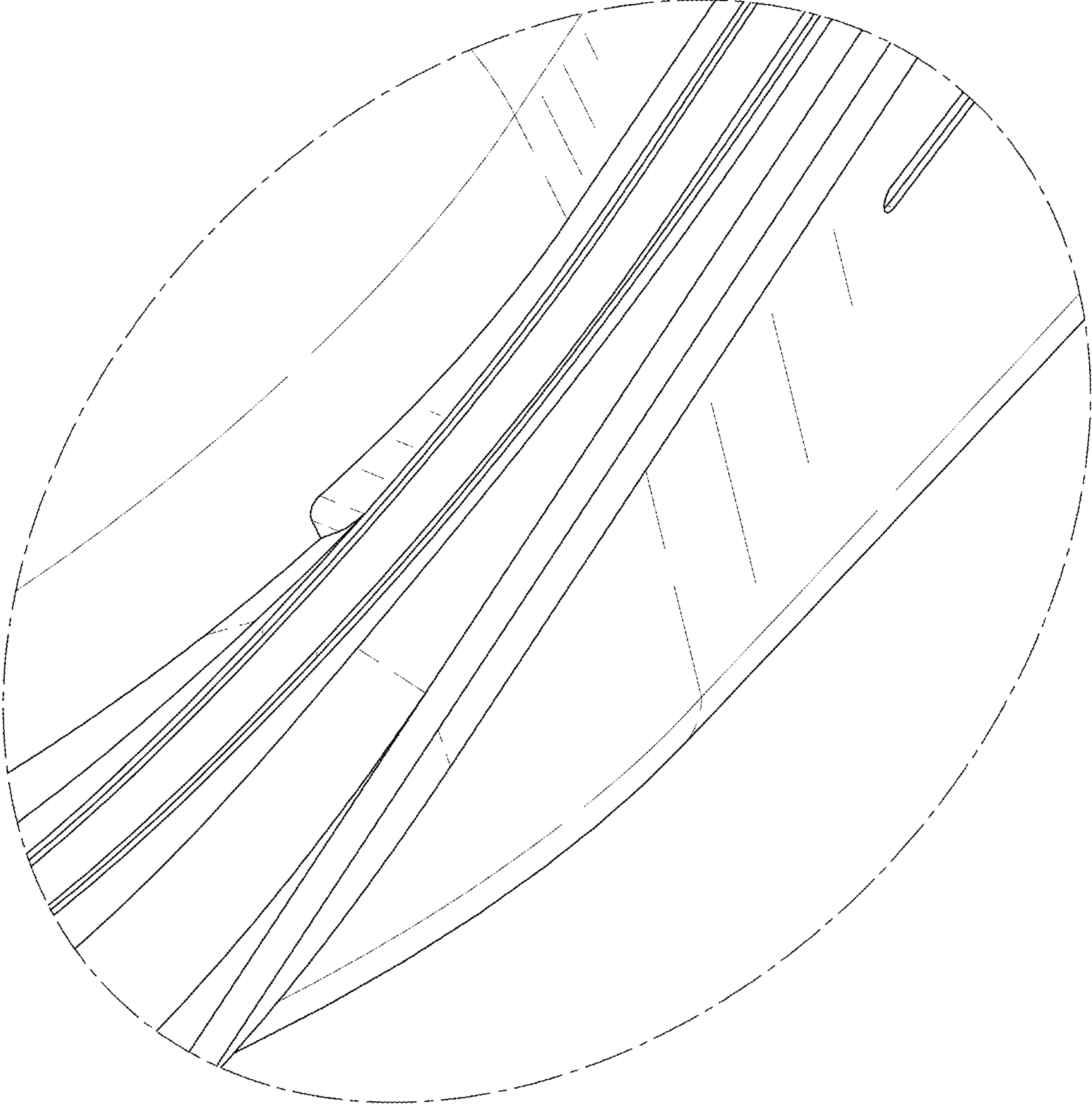


FIG. 9

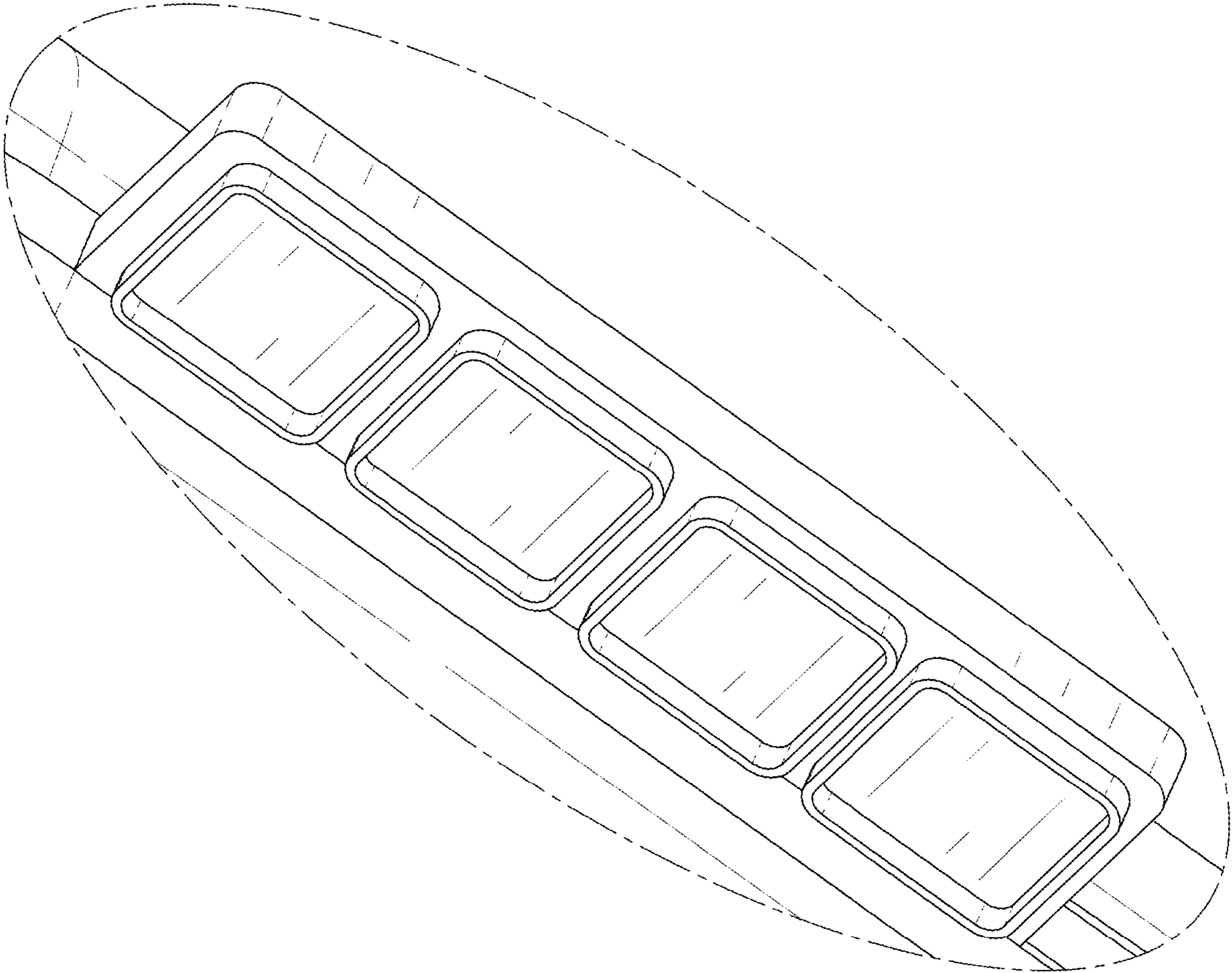


FIG. 10