



US00D976655S

(12) **United States Design Patent** (10) **Patent No.:** **US D976,655 S**
Ben-Avi (45) **Date of Patent:** **** Jan. 31, 2023**

(54) **COOLING BOX**

(71) Applicant: **Keter Plastic Ltd.**, Herzliya (IL)
(72) Inventor: **Ehud Ben-Avi**, D.N. Emek Yizrael (IL)
(73) Assignee: **KETER PLASTIC LTD.**, Herzliya (IL)
(**) Term: **15 Years**

(21) Appl. No.: **35/511,438**
(22) Filed: **Dec. 3, 2020**

(80) **Hague Agreement Data**

Int. Filing Date: **Dec. 3, 2020**
Int. Reg. No.: **DM/212701**
Int. Reg. Date: **Dec. 3, 2020**
Int. Reg. Pub. Date: **Feb. 26, 2021**

(51) **LOC (14) Cl.** **07-10**

(52) **U.S. Cl.**
USPC **D7/605**

(58) **Field of Classification Search**
USPC D7/300.2, 319, 323, 337, 350.1, 354,
D7/358, 381, 407, 416, 510, 511, 524,
D7/530, 536, 554.2, 562, 598, 605
CPC . A23G 23/00; A23L 5/10; A47G 23/00; A47J
43/28; B24B 9/12; Y10S 215/05; Y10S
215/06

See application file for complete search history.

(56) **References Cited**

U.S. PATENT DOCUMENTS

D368,387 S	*	4/1996	Bureau	D6/686
D437,736 S	*	2/2001	Moffett, III	D7/605
D448,624 S	*	10/2001	Moffett, III	D7/605
D699,080 S	*	2/2014	Lee	D7/605
D769,076 S	*	10/2016	Lee	D7/605
D769,077 S	*	10/2016	Lee	D7/605
D795,018 S	*	8/2017	Klettner	D7/605

(Continued)

OTHER PUBLICATIONS

Keter Patio Cooler, May 11, 2022, found on Oct. 17, 2022 at Amazon.com : Keter KET-252172 89.8 Quart Outdoor Rolling Patio Cooler and Insulated Beverage Cart with Fold Down Glass Shelf and Built in Bottle Opener, Gray : Patio, Lawn & Garden (Year: 2022).*

Primary Examiner — Karen S Acker

(74) *Attorney, Agent, or Firm* — Vorys, Sater, Seymour and Pease LLP; Anthony P. Venturino; Maryellen Feehery Hank

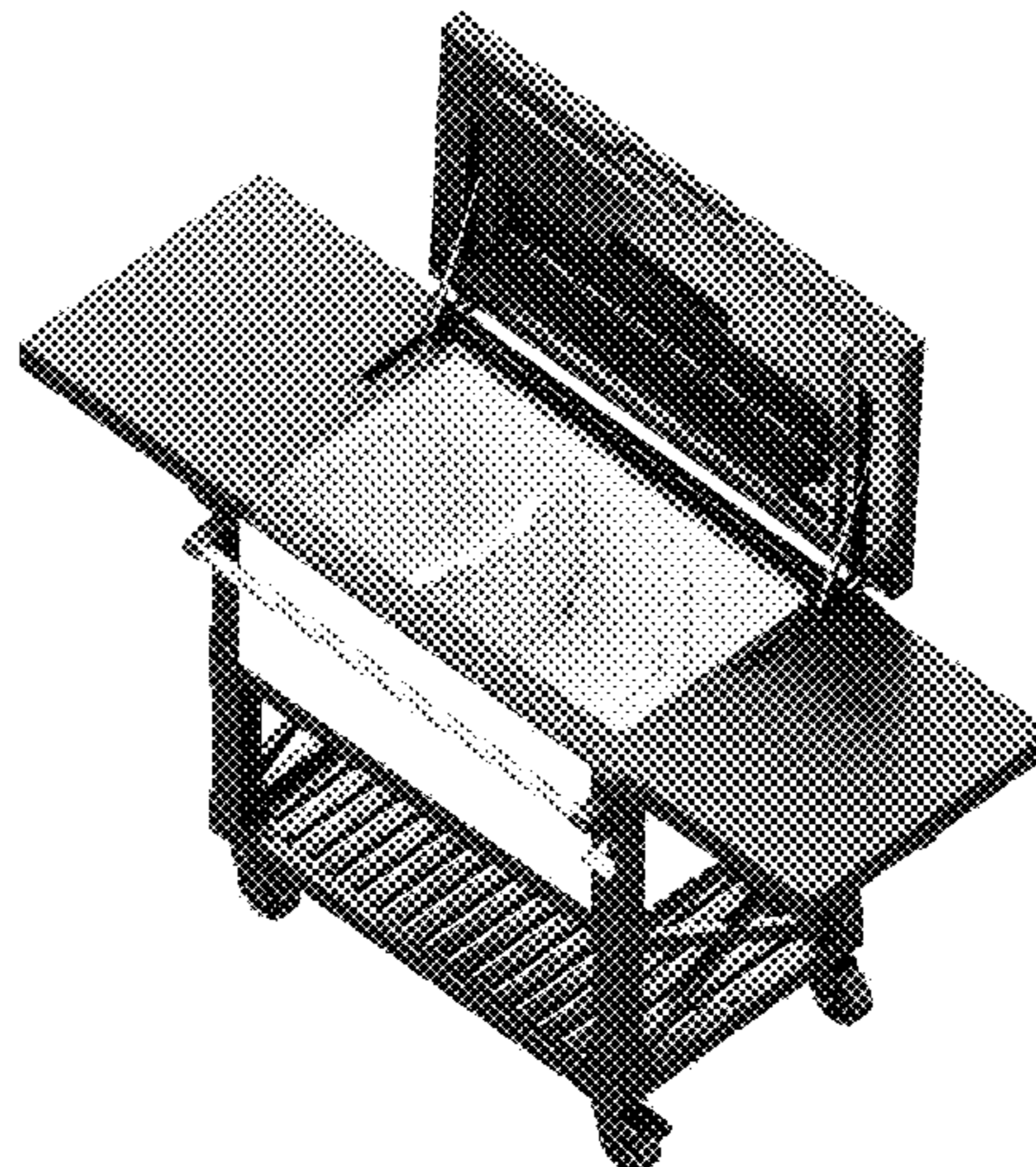
(57) **CLAIM**

The ornamental design for a cooling box, as shown and described.

DESCRIPTION

1.1 is a front, top, right side perspective view of a cooling box, in an opened position.
1.2 is a rear, bottom, right side perspective view thereof.
1.3 is a front view thereof.
1.4 is a rear view thereof.
1.5 is a left side view thereof, the right side view being a mirror image of **1.5**.
1.6 is a top plan view thereof, in an opened position.
1.7 is a bottom view thereof.
1.8 is a front, top, and right side perspective view of the cooling box of figure **1.1** with the interior of the article in a different configuration.
1.9 is a rear, top, and left side perspective view thereof.
1.10 is a front, top, right side perspective view of a cooling box, in a closed position.
1.11 is a bottom, rear, right side perspective view thereof.
The planes rendered white and surrounded by broken lines depict portions of the cooling box that form no part of the claimed design. The broken lines surrounding white planes are boundaries to the claim and form no part thereof. The planes rendered semi-transparent white surrounded by bro-

(Continued)



ken lines under the shelves in figures 1.2, 1.7 and 1.11 depict portions of the cooling box that form no part of the claimed design.

1 Claim, 11 Drawing Sheets

(56)

References Cited

U.S. PATENT DOCUMENTS

D908,442 S *	1/2021	Bell	D15/81
D912,476 S *	3/2021	Chuang	F25D 3/06
			D7/605
D940,507 S *	1/2022	Lee	D7/605
D947,621 S *	4/2022	Xiao	D7/605
D955,180 S *	6/2022	Bibbs	D7/605
D961,635 S *	8/2022	Shi	D15/83

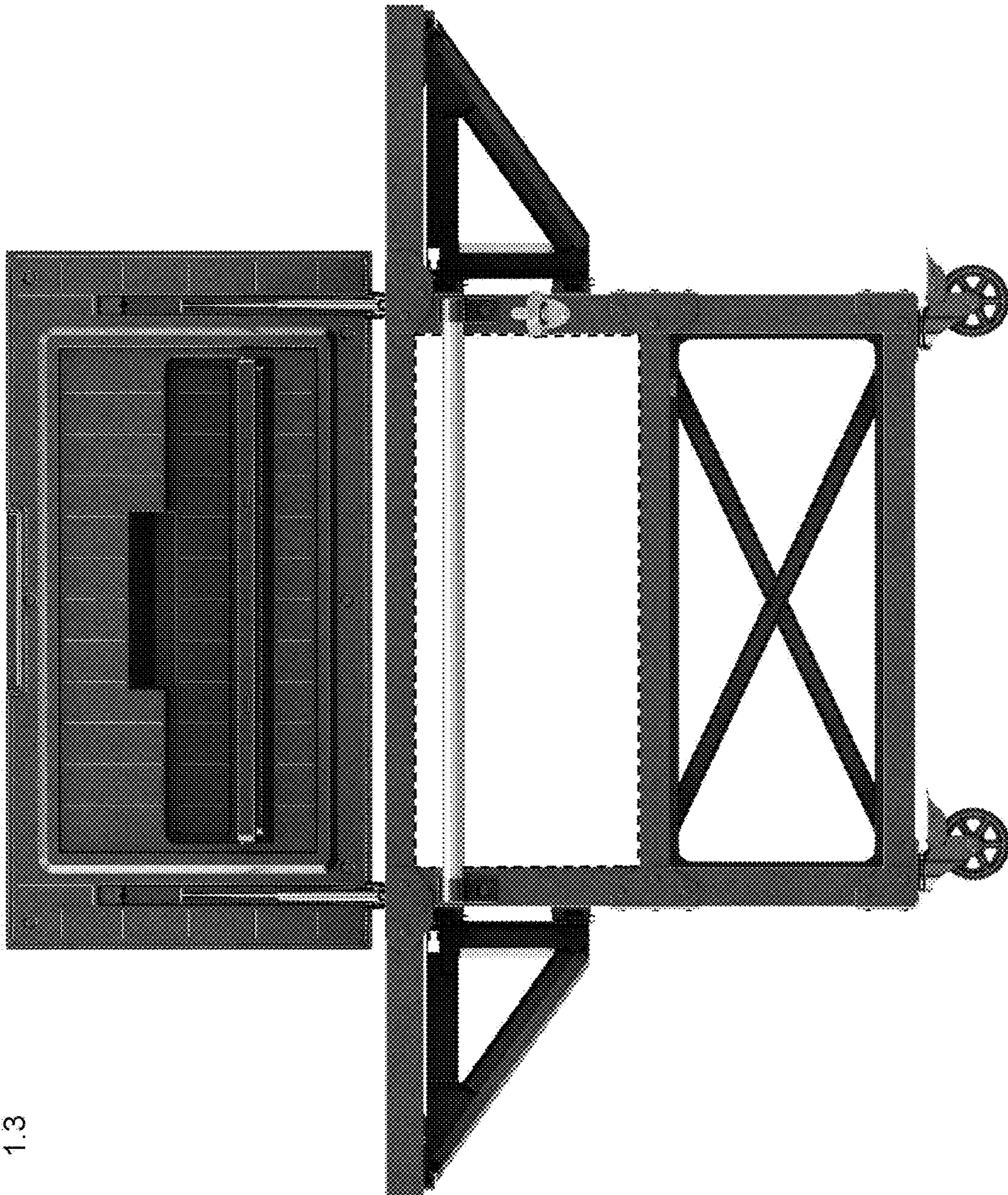
* cited by examiner

1.1

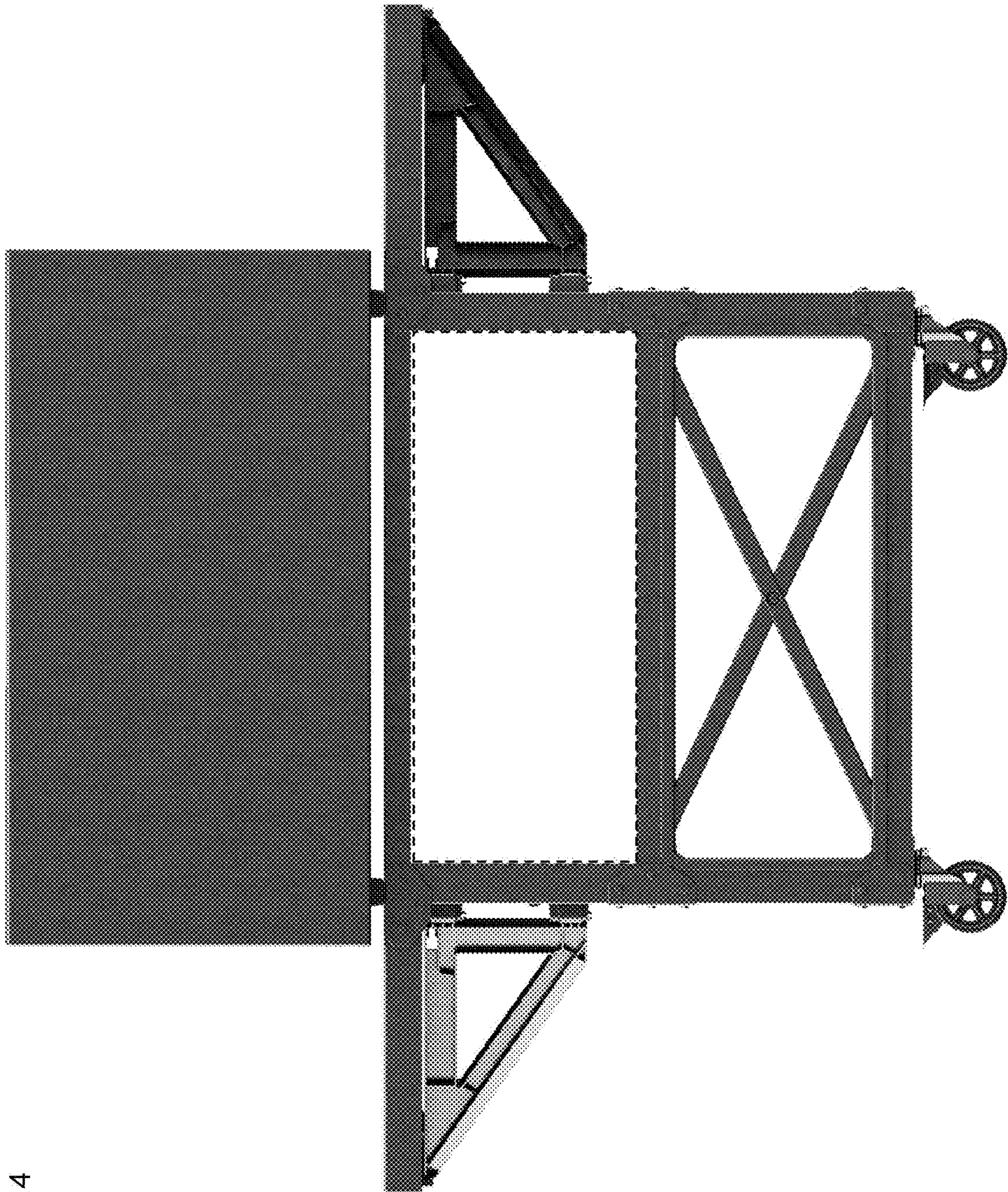


1.2



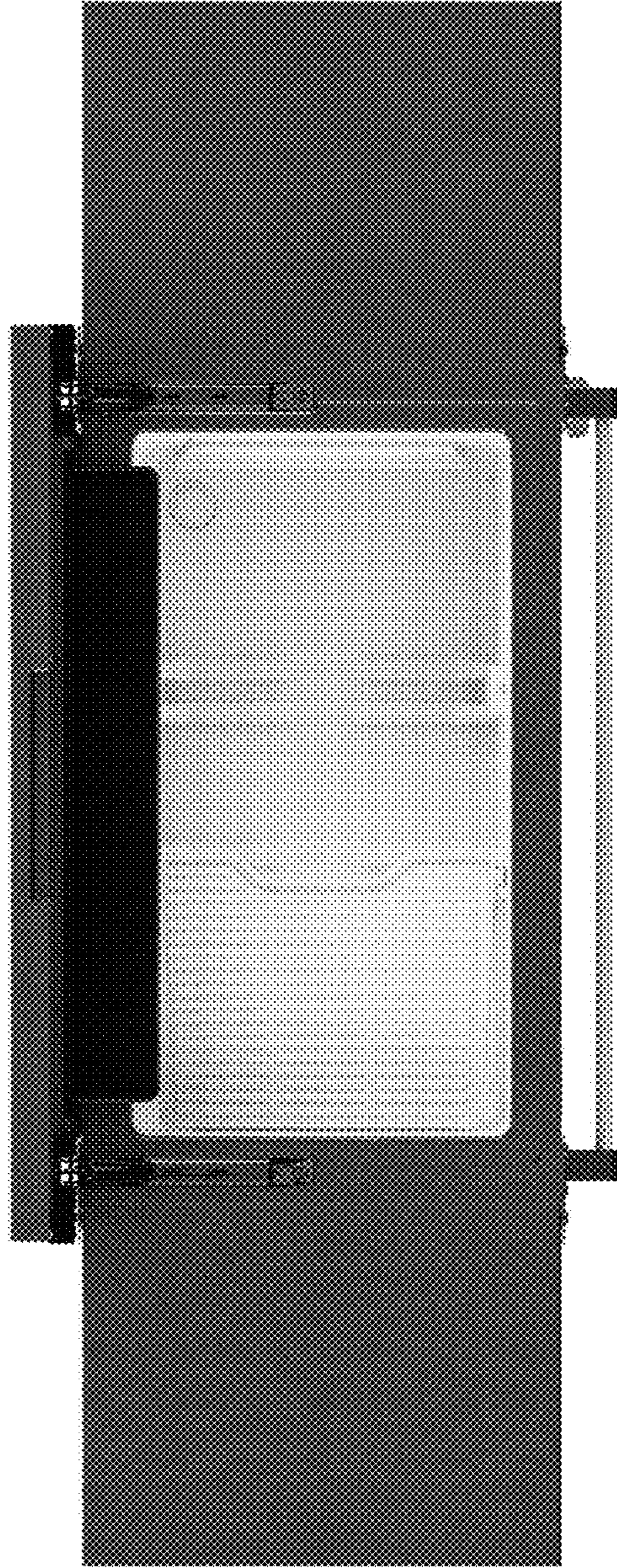


1.3

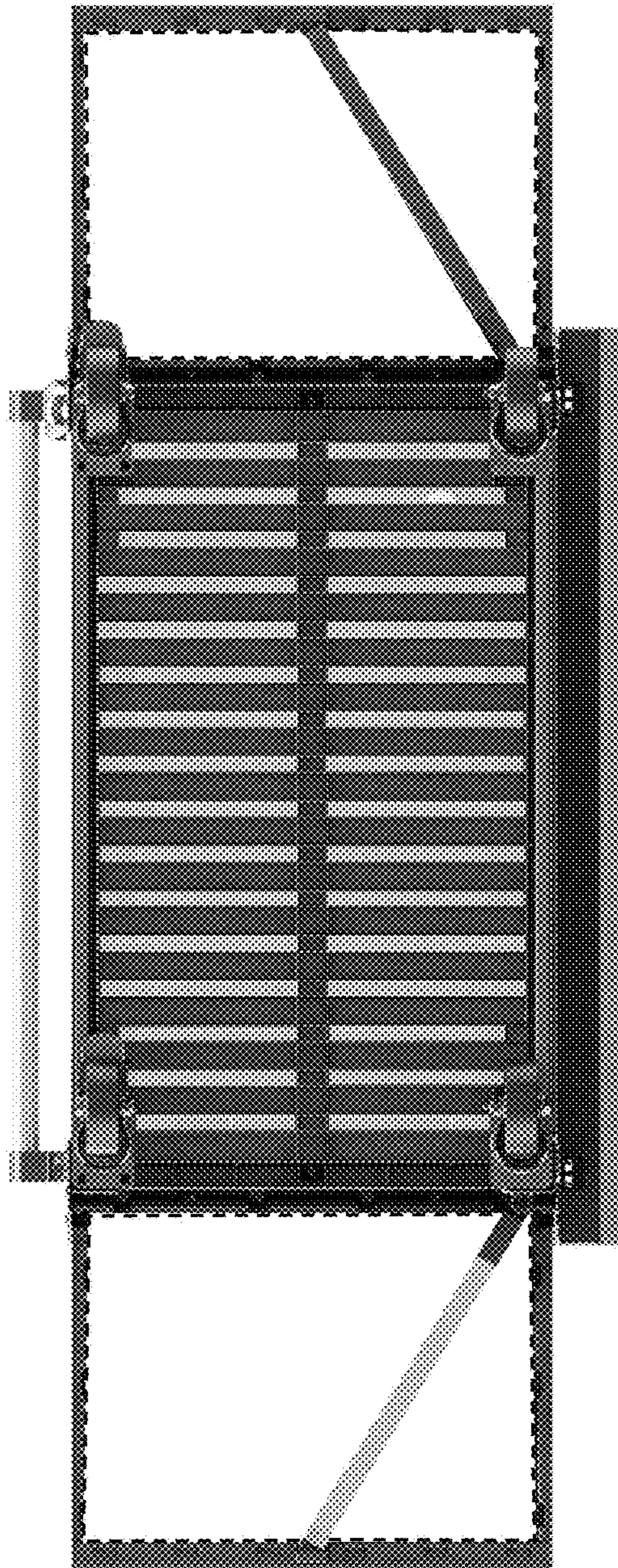


1.4





1.6

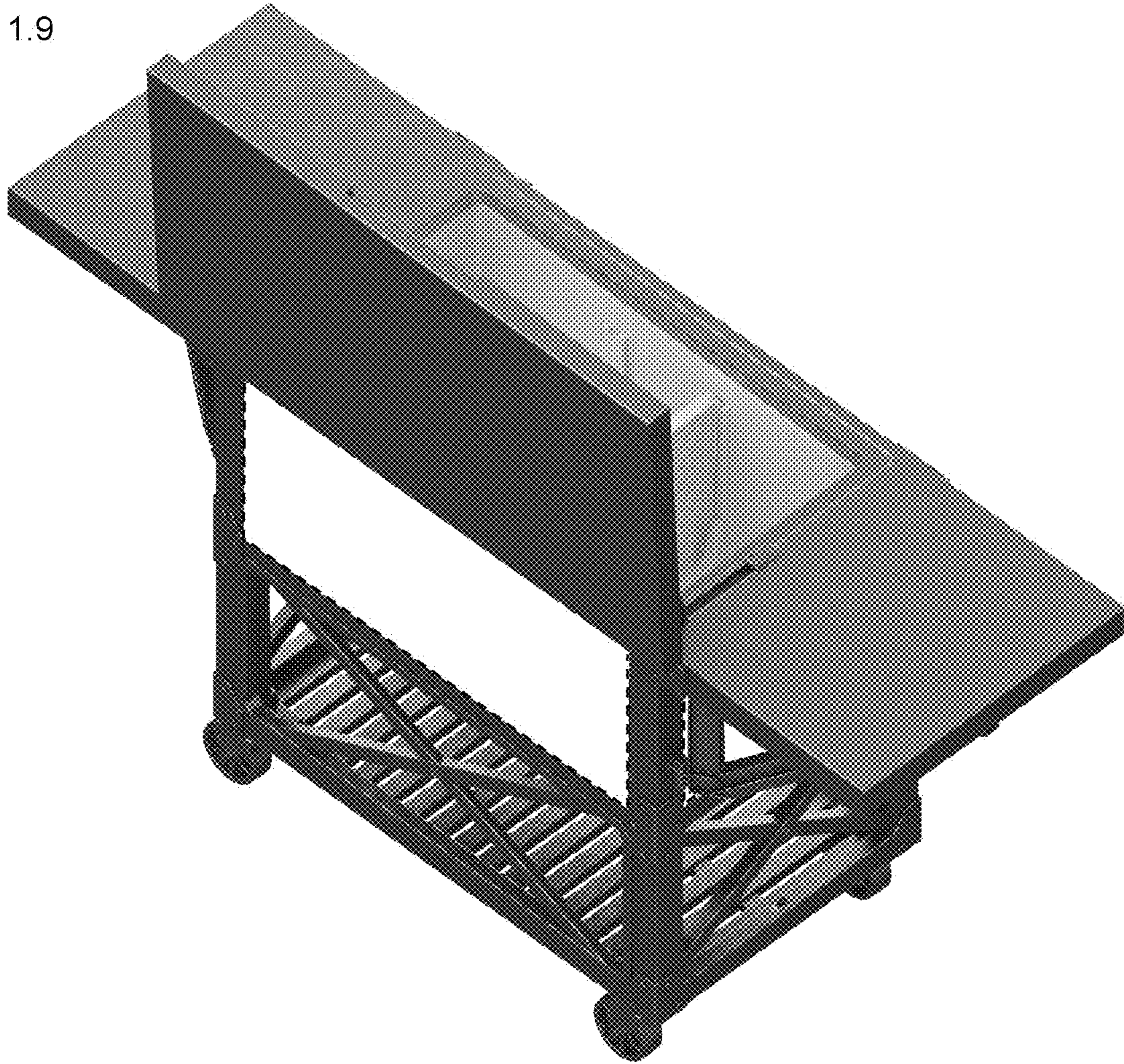


1.7

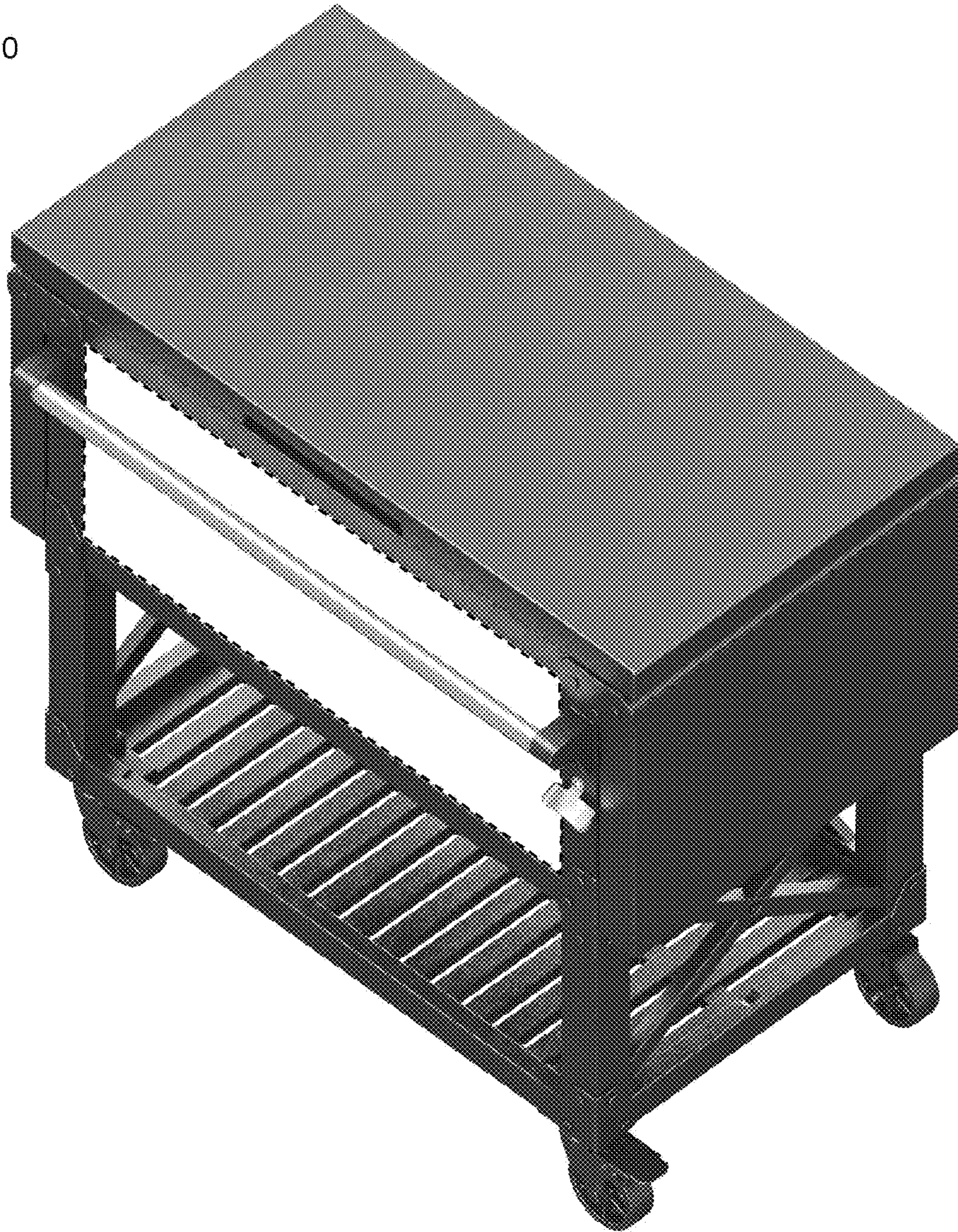
1.8



1.9



1.10



1.11

