



US00D976654S

(12) **United States Design Patent** (10) **Patent No.:** **US D976,654 S**
Hu (45) **Date of Patent:** **** Jan. 31, 2023**

(54) **BANANA HOLDER STAND**

OTHER PUBLICATIONS

(71) Applicant: **SHENZHEN SHI BONAISI TECHNOLOGY CO., LTD.**, Shenzhen (CN)

Amazon.com, Signice Banana Holder Stand, ASIN: B0974LYT4Z, 12 pages, date found on Amazon.com Aug. 22, 2022 (Year: 2022).*
Amazon.Com, BLIOCEFO, Banana Holder Hanger Hook Stand, ASIN: B09NK47CM6, 14 pages, date first available Dec. 12, 2021 (Year: 2021).*

(72) Inventor: **Youpei Hu**, Shenzhen (CN)

Signice Banana Holder Stand—Newest Patented Modern Banana Tree Hanger with Wood Base Stainless Steel Banana Rack for Home Kitchen Use, Doesn't Tip Over (Black), amazon.com, Jun. 12, 2021, Signice, <https://www.amazon.com/dp/B0974LYT4Z?th=1>, (Last accessed : Nov. 28, 2022).

(**) Term: **15 Years**

(21) Appl. No.: **29/829,294**

* cited by examiner

(22) Filed: **Mar. 4, 2022**

(51) **LOC (14) Cl.** **07-99**

Primary Examiner — Terry A Wallace

(52) **U.S. Cl.**
USPC **D7/601**

(74) *Attorney, Agent, or Firm* — Rumit Ranjit Kanakia

(58) **Field of Classification Search**
USPC D7/601, 701, 704; D6/546, 672, 682.5
CPC A47F 7/00; A47F 7/0078; A47F 7/0071;
A47G 19/00; A47G 19/30
See application file for complete search history.

(57) **CLAIM**

The ornamental design for a banana holder stand, as shown and described.

DESCRIPTION

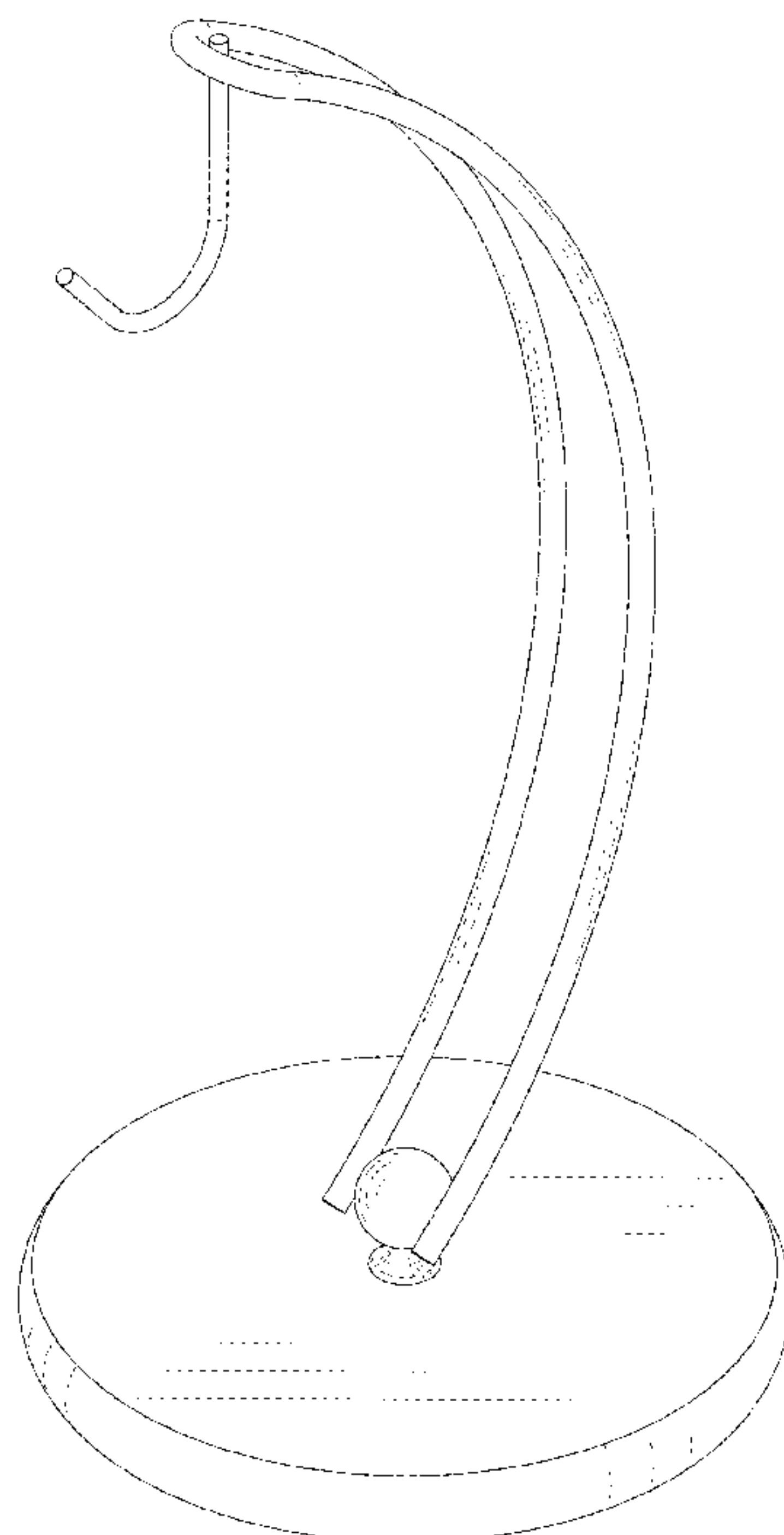
(56) **References Cited**

U.S. PATENT DOCUMENTS

| | | | | | |
|------------|---|---------|-----------|-------|---------|
| D242,413 S | * | 11/1976 | Olson | | D6/672 |
| D335,401 S | * | 5/1993 | Nations | | D11/131 |
| D385,751 S | * | 11/1997 | Hollinger | | D7/601 |
| D513,154 S | | 12/2005 | Goodman | | |
| D524,111 S | * | 7/2006 | Goodman | | D7/601 |
| D533,750 S | | 12/2006 | Goodman | | |
| D538,109 S | | 3/2007 | Goodman | | |
| D586,624 S | | 2/2009 | Goodman | | |
| D634,980 S | | 3/2011 | Goodman | | |
| D694,069 S | | 11/2013 | Goodman | | |
| D697,373 S | | 1/2014 | Goodman | | |
| D698,203 S | | 1/2014 | Goodman | | |
| D753,451 S | | 4/2016 | Khaitan | | |

FIG. 1 is a perspective view of a banana holder stand showing my new design;
FIG. 2 is another perspective view thereof;
FIG. 3 is a front elevational view thereof;
FIG. 4 is a rear elevational view thereof;
FIG. 5 is a left side view thereof;
FIG. 6 is a right side view thereof;
FIG. 7 is a top plan view thereof; and,
FIG. 8 is a bottom plan view thereof.
The broken lines in the figures are for the purposes of illustrating portions of the banana holder stand, which form no part of the claimed design.

1 Claim, 8 Drawing Sheets



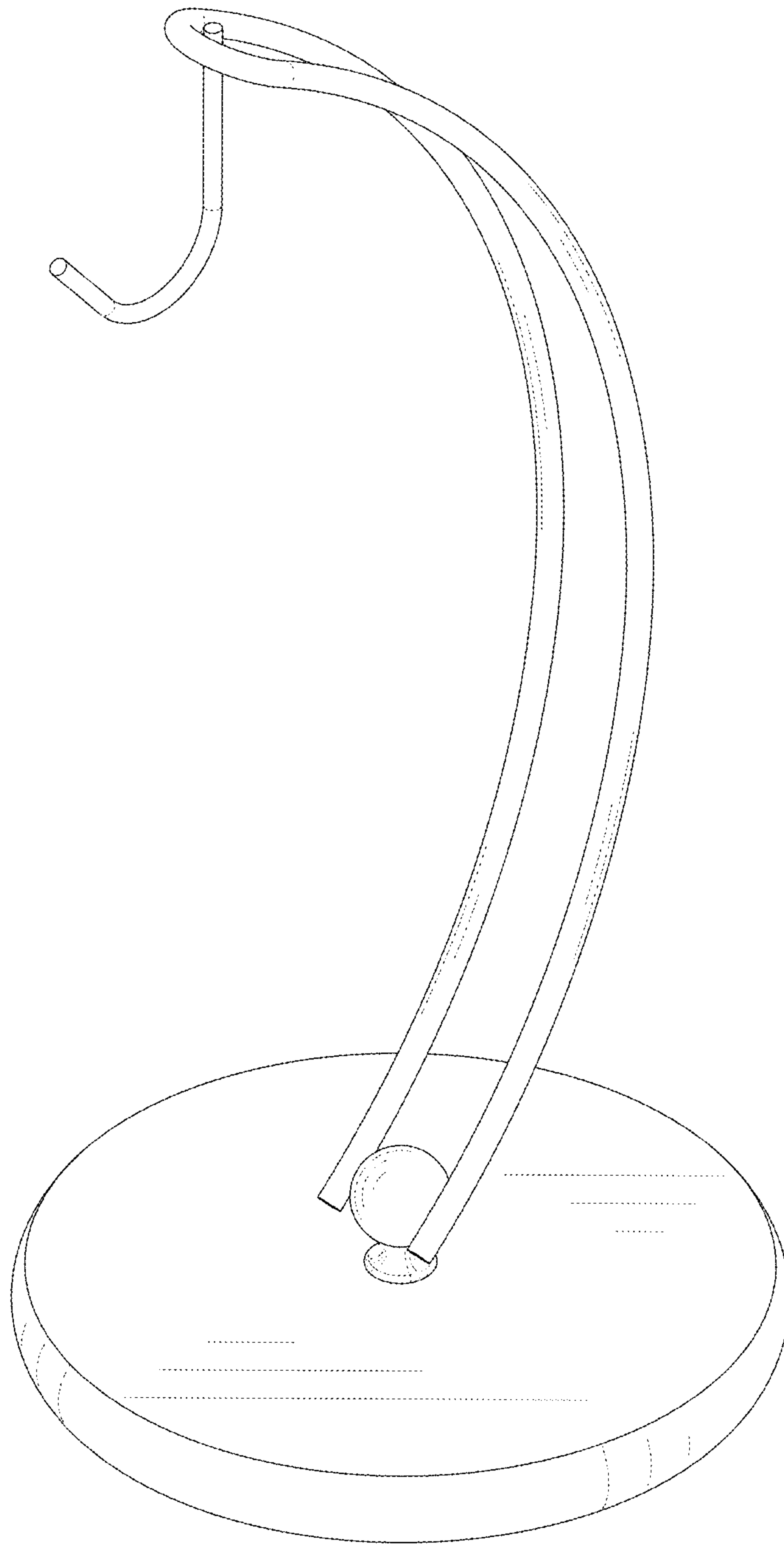


FIG. 1

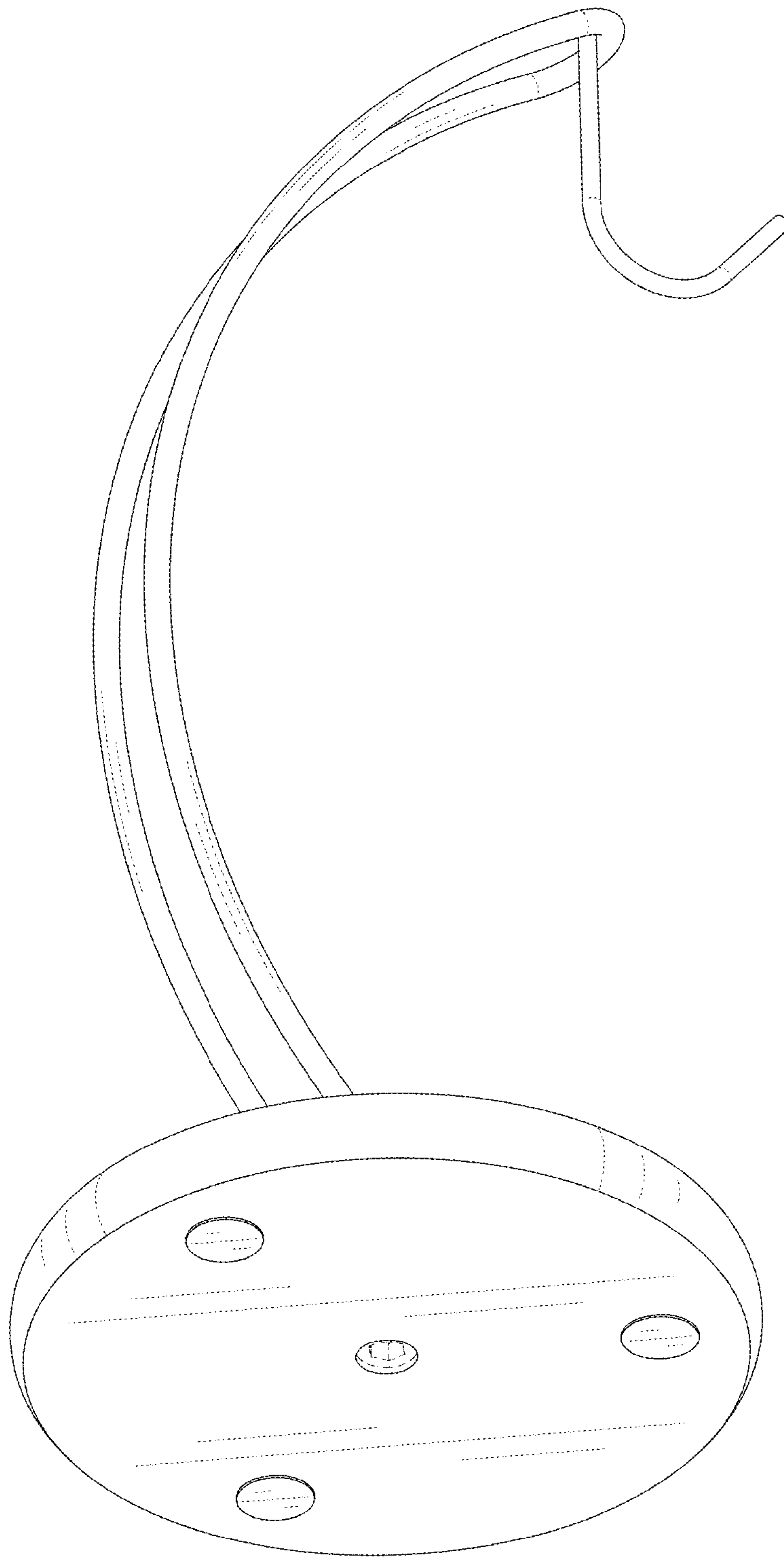


FIG. 2

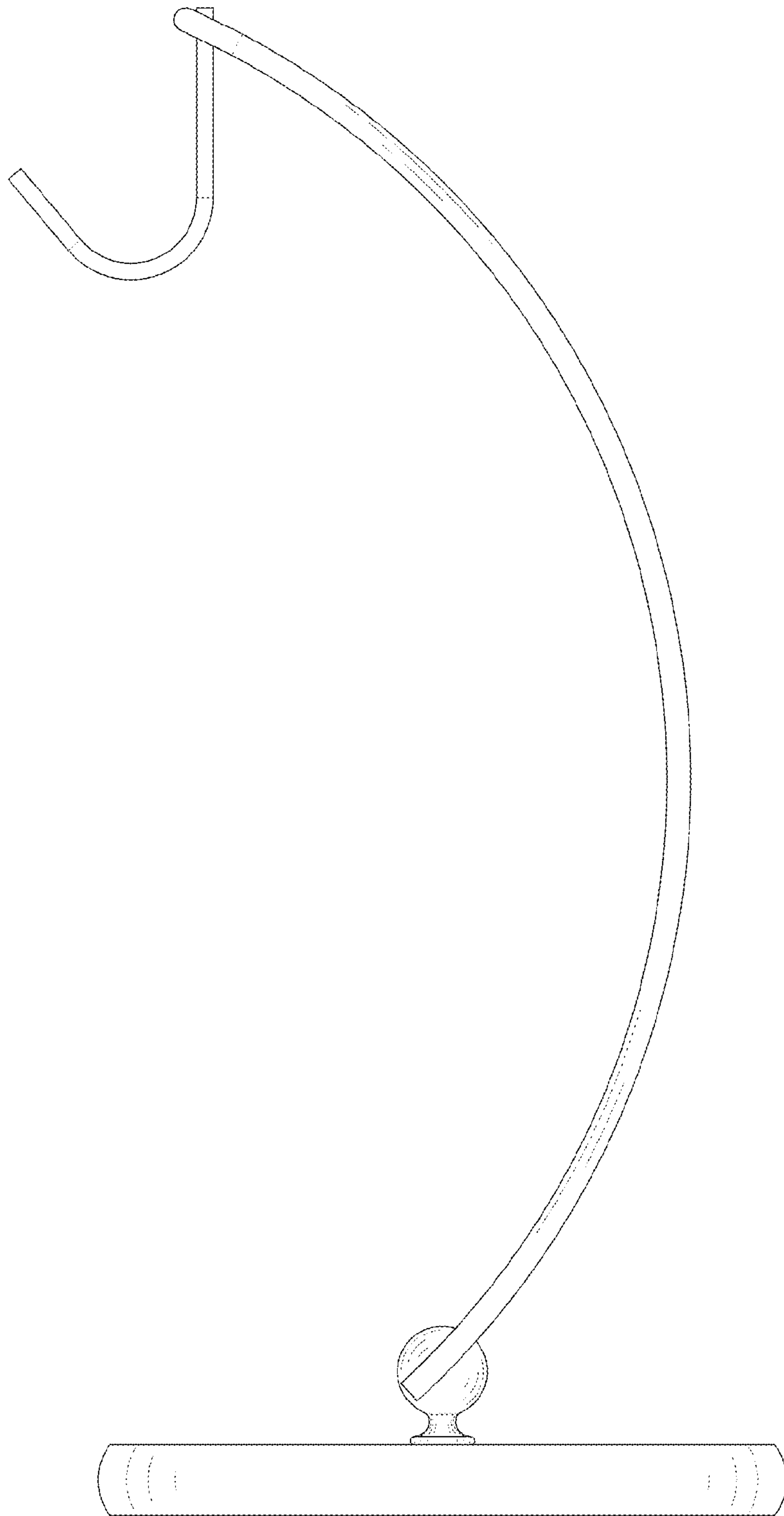


FIG. 3

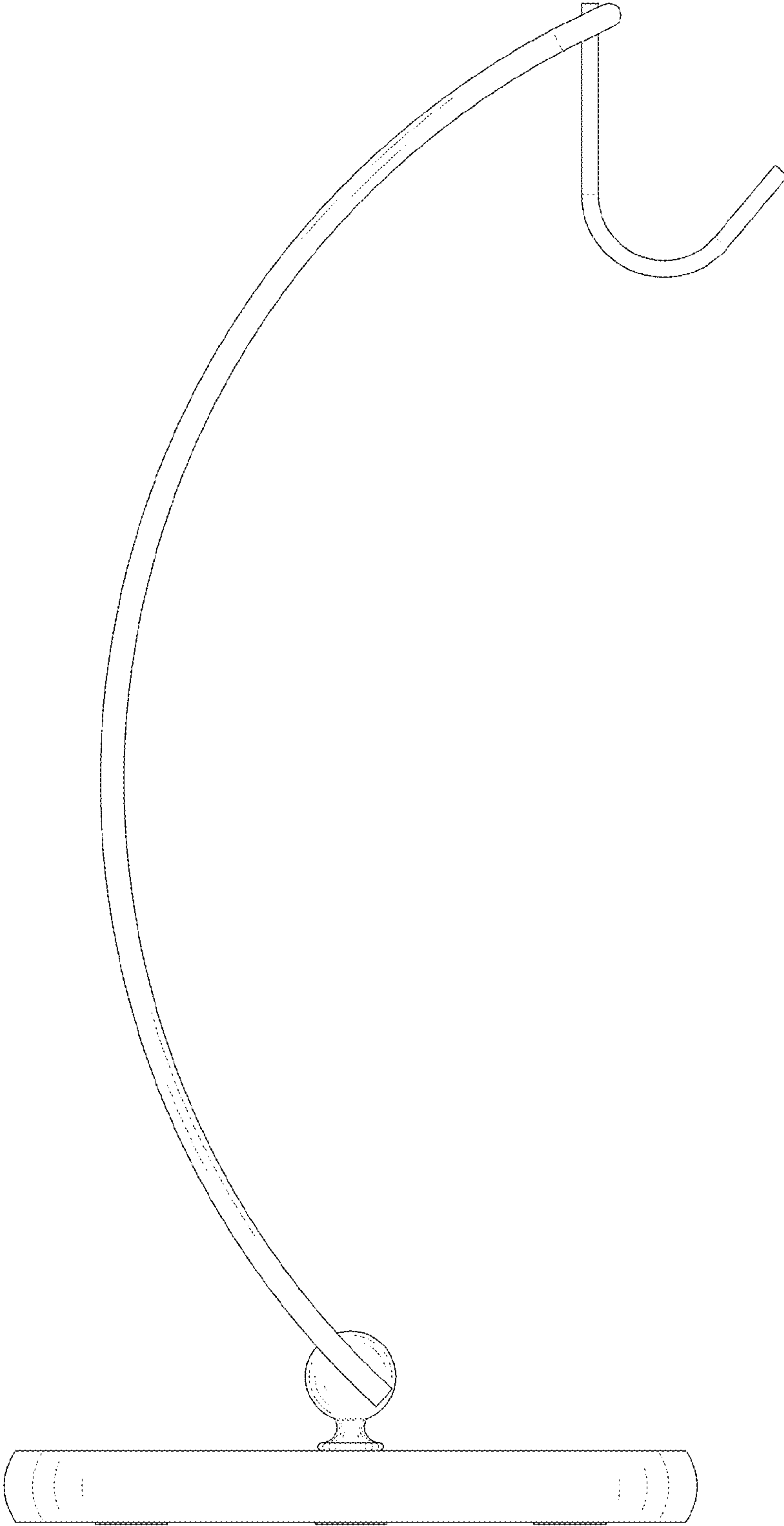


FIG.4

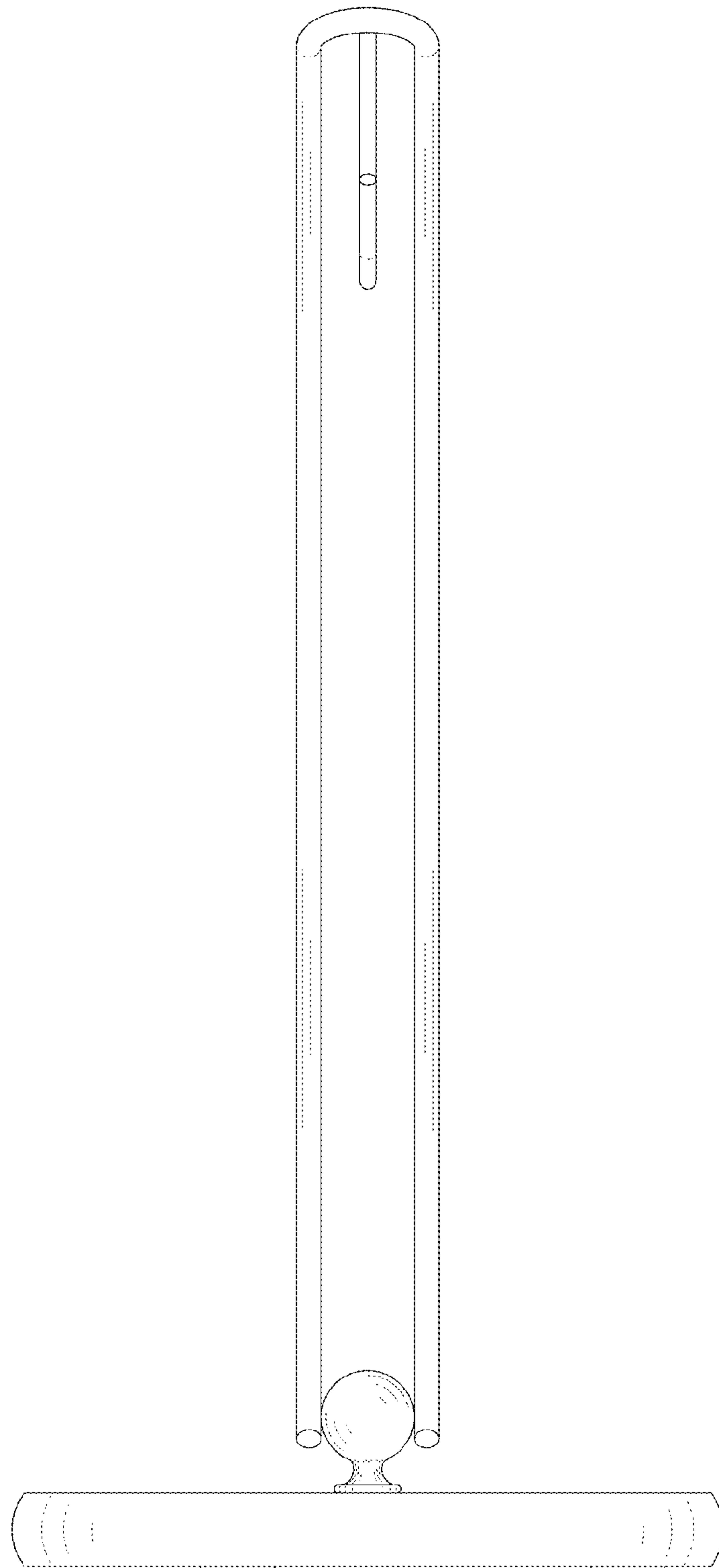


FIG. 5

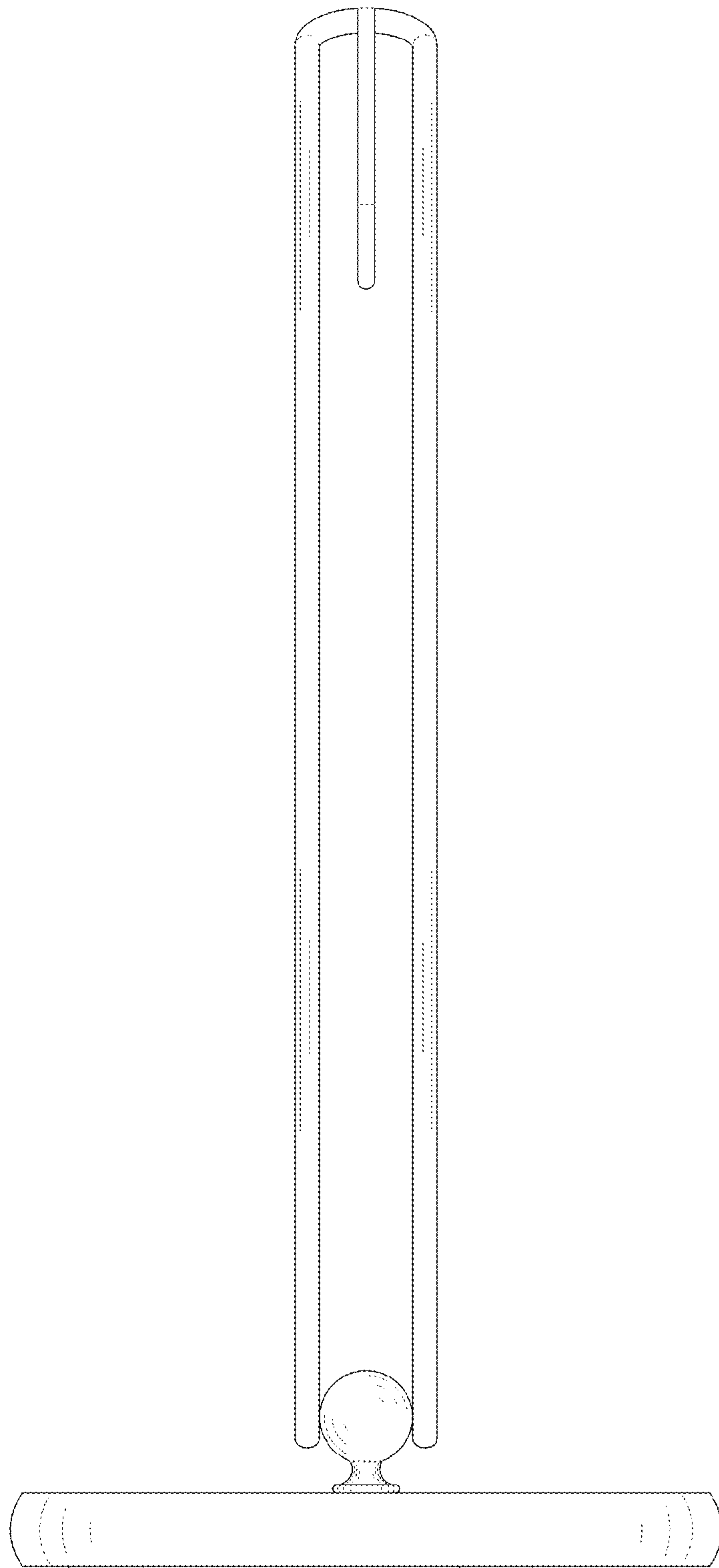


FIG. 6

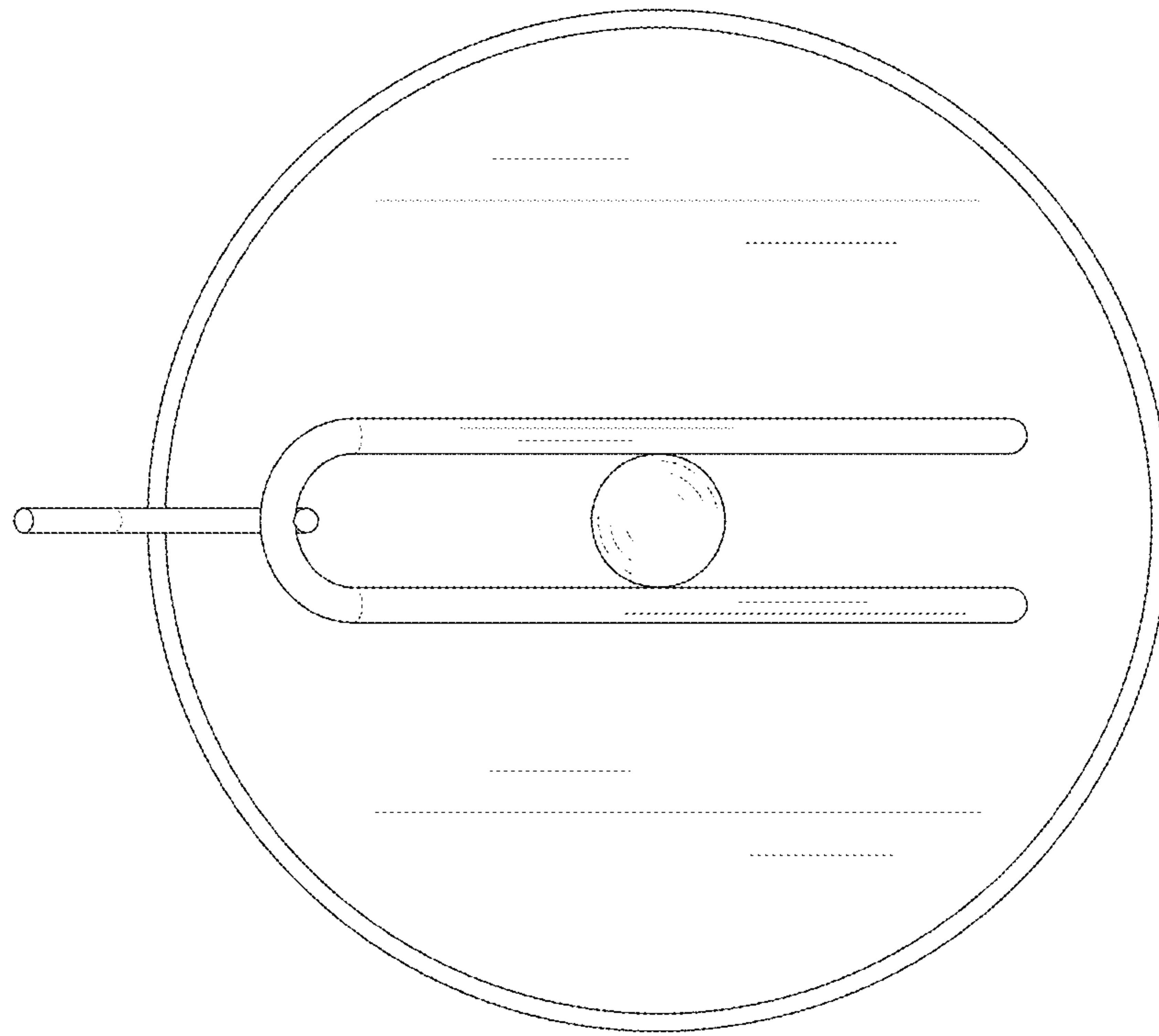


FIG. 7

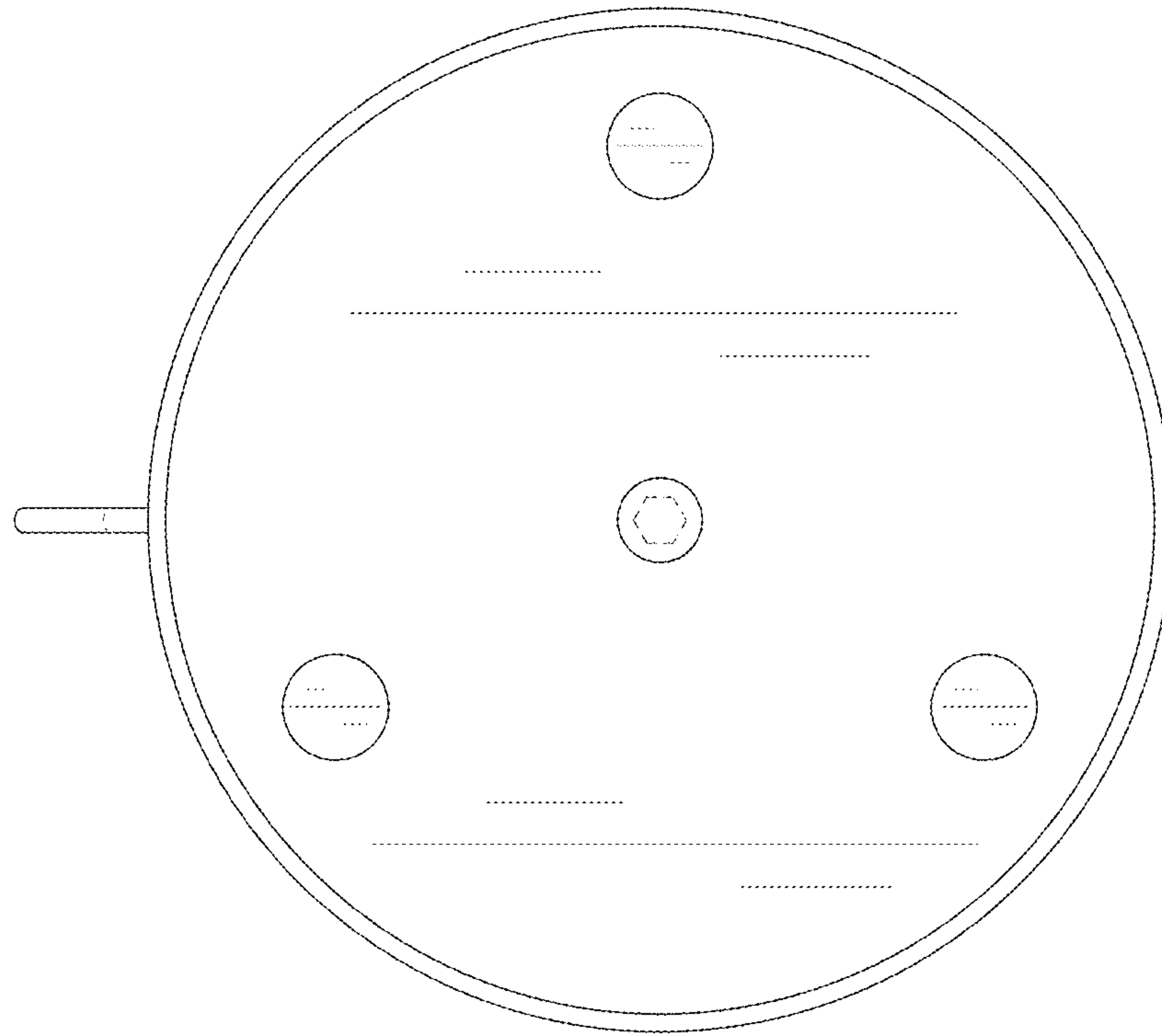


FIG. 8