



US00D976651S

(12) **United States Design Patent**  
**Haddad, Sr.**

(10) **Patent No.:** **US D976,651 S**  
(45) **Date of Patent:** **\*\* Jan. 31, 2023**

- (54) **SOUP BOWL WITH SPOON WELL**
- (71) Applicant: **Robert W. Haddad, Sr.**, Columbus, IN (US)
- (72) Inventor: **Robert W. Haddad, Sr.**, Columbus, IN (US)
- (73) Assignee: **Robert W. Haddad, Sr.**, Columbus, IN (US)
- (\*\*) Term: **15 Years**
- (21) Appl. No.: **29/817,080**
- (22) Filed: **Nov. 29, 2021**

**Related U.S. Application Data**

- (63) Continuation of application No. 17/536,229, filed on Nov. 29, 2021.
- (51) **LOC (14) Cl.** ..... **07-01**
- (52) **U.S. Cl.**  
USPC ..... **D7/584**
- (58) **Field of Classification Search**  
USPC ..... D7/501, 610, 550.1, 554.1, 558, 500, D7/587, 584, 629, 585, 586, 588, 554.2, D7/630, 354, 543, 523, 505, 507, 527, D7/528, 531, 552.2; 108/142; 220/574.3, 781, 574; D9/416, 500, 429, D9/428; 206/505; 366/130; D30/129  
CPC .. B65D 21/086; B65D 51/185; B65D 21/022; B65D 43/0208; A47G 19/2283; A47G 19/03; A47G 19/02; A47J 43/0727; A47J 27/002; F16B 47/00; F16B 2200/00; B66C 1/0212; F16M 13/022  
See application file for complete search history.

(56) **References Cited**

**U.S. PATENT DOCUMENTS**

- 766,427 A \* 8/1904 Crowell ..... A47G 19/02 220/575
- 1,272,996 A \* 7/1918 Poschadel ..... A47G 19/02 220/575

- 1,379,519 A \* 5/1921 Bjornsen ..... A47G 19/02 220/575
- 2,492,892 A \* 12/1949 Schlumbohm ..... A47J 27/002 D7/584
- 3,611,998 A \* 10/1971 Loscalzo ..... A01K 5/0114 D30/129
- D249,110 S \* 8/1978 Newmark ..... D7/509
- 4,351,444 A \* 9/1982 Majewski ..... A47G 19/30 220/575
- D279,445 S \* 7/1985 Jagger ..... D7/558
- 4,986,434 A \* 1/1991 Prestyly, Jr. .... A47G 19/02 220/555
- 5,172,826 A \* 12/1992 Celaya ..... A47G 19/02 220/574
- 5,341,953 A \* 8/1994 Forester ..... A47G 19/02 220/575
- D353,230 S \* 12/1994 Reusche ..... D30/123
- 5,542,565 A \* 8/1996 Hidalgo-Lopez ..... A47G 19/02 220/675

(Continued)

*Primary Examiner* — Cynthia R Underwood  
(74) *Attorney, Agent, or Firm* — Barnes & Thornburg, LLP

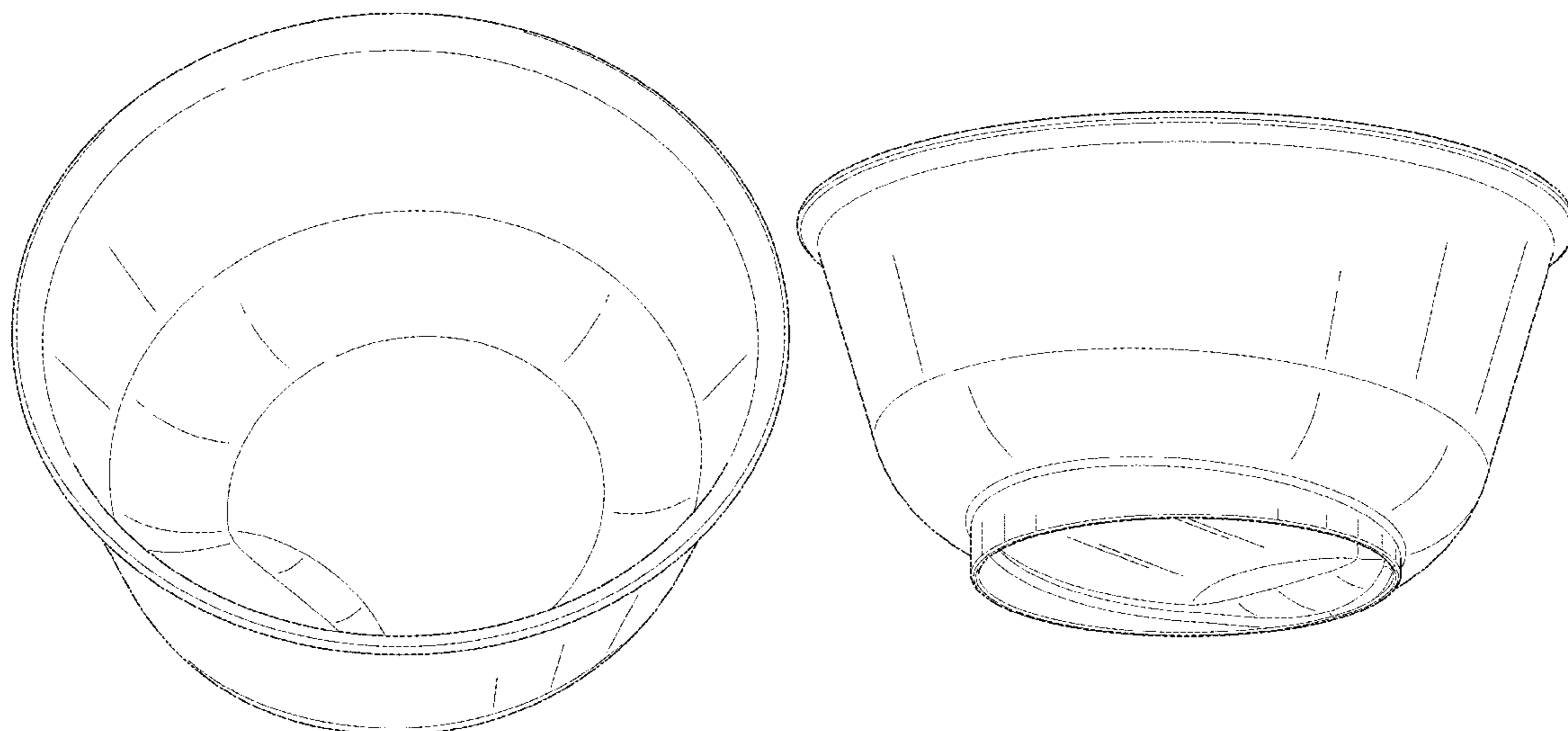
(57) **CLAIM**

The ornamental design for a soup bowl with spoon well, as shown and described.

**DESCRIPTION**

FIG. 1 is a upper front perspective view of a soup bowl with spoon well in accordance with the present disclosure; FIG. 2 is a lower back perspective view thereof; FIG. 3 is a left elevation view thereof; FIG. 4 is a right side elevation view thereof; FIG. 5 is front elevation view thereof; FIG. 6 is a back elevation view thereof; FIG. 7 is a top plan view thereof; and, FIG. 8 is a bottom plan view thereof.

**1 Claim, 8 Drawing Sheets**



(56)

References Cited

U.S. PATENT DOCUMENTS

5,626,256 A *	5/1997	Onneweer	A47J 43/0727	8,459,490 B1 *	6/2013	McTaggart	A47J 47/00
			220/574				220/574
5,638,981 A *	6/1997	Crane	A47G 19/02	8,490,823 B2 *	7/2013	Sirota	A47G 19/02
			220/608				220/636
5,706,980 A *	1/1998	Dickerson	A47G 19/02	D702,338 S *	4/2014	Jones	D23/393
			222/481.5	8,720,734 B2 *	5/2014	Malcolm	A47G 19/02
D441,257 S *	5/2001	Indekeu	D7/558				220/574
D471,406 S *	3/2003	Wellner	D7/584	D777,992 S *	1/2017	Tsengas	D30/129
D473,758 S *	4/2003	Wilson	D7/587	9,603,338 B2 *	3/2017	Harris	A01K 5/01
D493,671 S *	8/2004	Lebowitz	D7/583	D787,274 S *	5/2017	Gagnon	D7/586
D495,564 S *	9/2004	Bodum	D7/587	D830,646 S *	10/2018	Kerr	D30/129
D548,014 S *	8/2007	Kell	D7/584	D846,949 S *	4/2019	Holdings	D7/586
D564,844 S *	3/2008	Schreiber-Pethan	D7/586	D891,005 S *	7/2020	Liu	D30/129
D595,907 S *	7/2009	Rutherford	D30/119	D917,973 S *	5/2021	Duffey	D7/587
7,637,388 B2 *	12/2009	Schantz	A47J 19/02	D938,820 S *	12/2021	Sanders	D9/454
			220/636	2003/0089718 A1 *	5/2003	Zinnbauer	B65D 25/2897
D607,616 S *	1/2010	Newsome	D30/129				220/359.3
D628,443 S *	12/2010	McTaggart	D7/545	2006/0285428 A1 *	12/2006	Paradise	A47J 43/0727
D633,340 S *	3/2011	Roberts	D7/549				366/130
8,002,140 B2 *	8/2011	Schantz	A47G 19/027	2008/0067180 A1 *	3/2008	Schanche	A47G 19/02
			220/636				220/574
D645,705 S *	9/2011	Shamoon	D7/584	2011/0284119 A1 *	11/2011	Andrews	A47G 19/02
8,337,073 B2 *	12/2012	Roberts	A47G 19/02				220/574
			220/575	2014/0326723 A1 *	11/2014	Scharfe	A47G 19/2283
D676,710 S *	2/2013	Kwok	D7/564				220/574
D684,429 S *	6/2013	Lion	D7/543	2015/0150392 A1 *	6/2015	de Leon	A47G 19/02
							220/574
				2018/0343826 A1 *	12/2018	Kumar	A01K 5/0135

\* cited by examiner

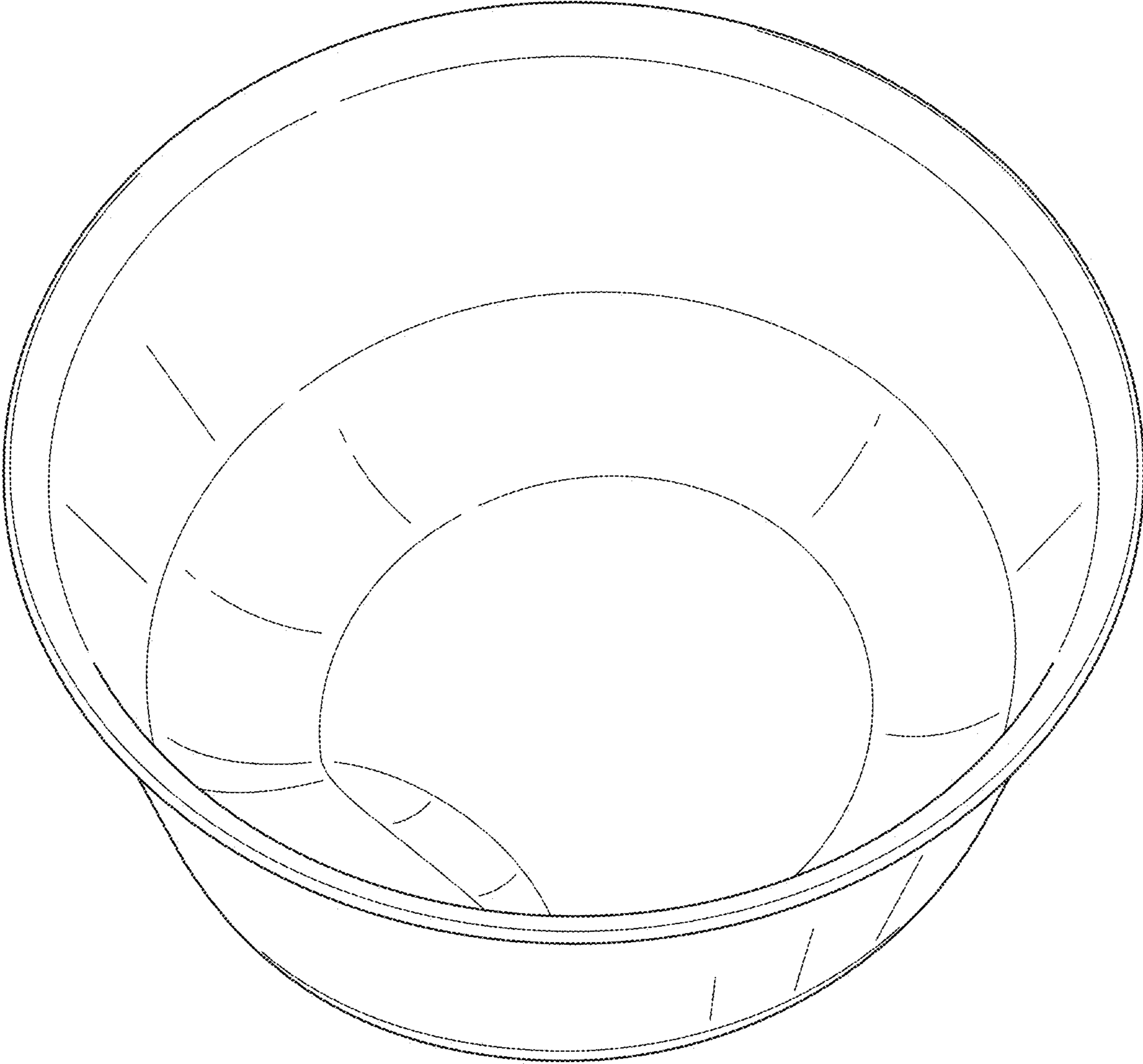


FIG. 1

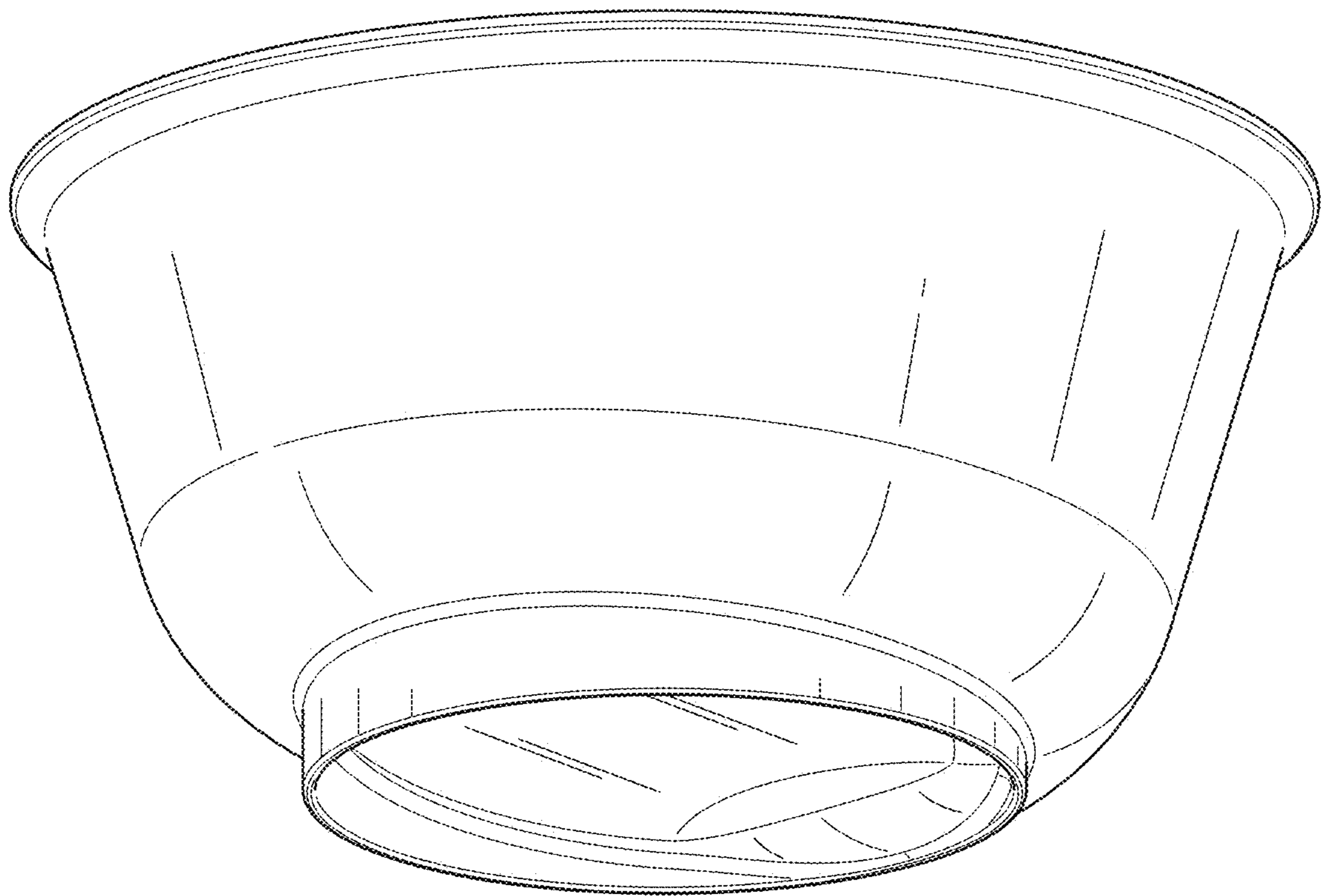


FIG. 2

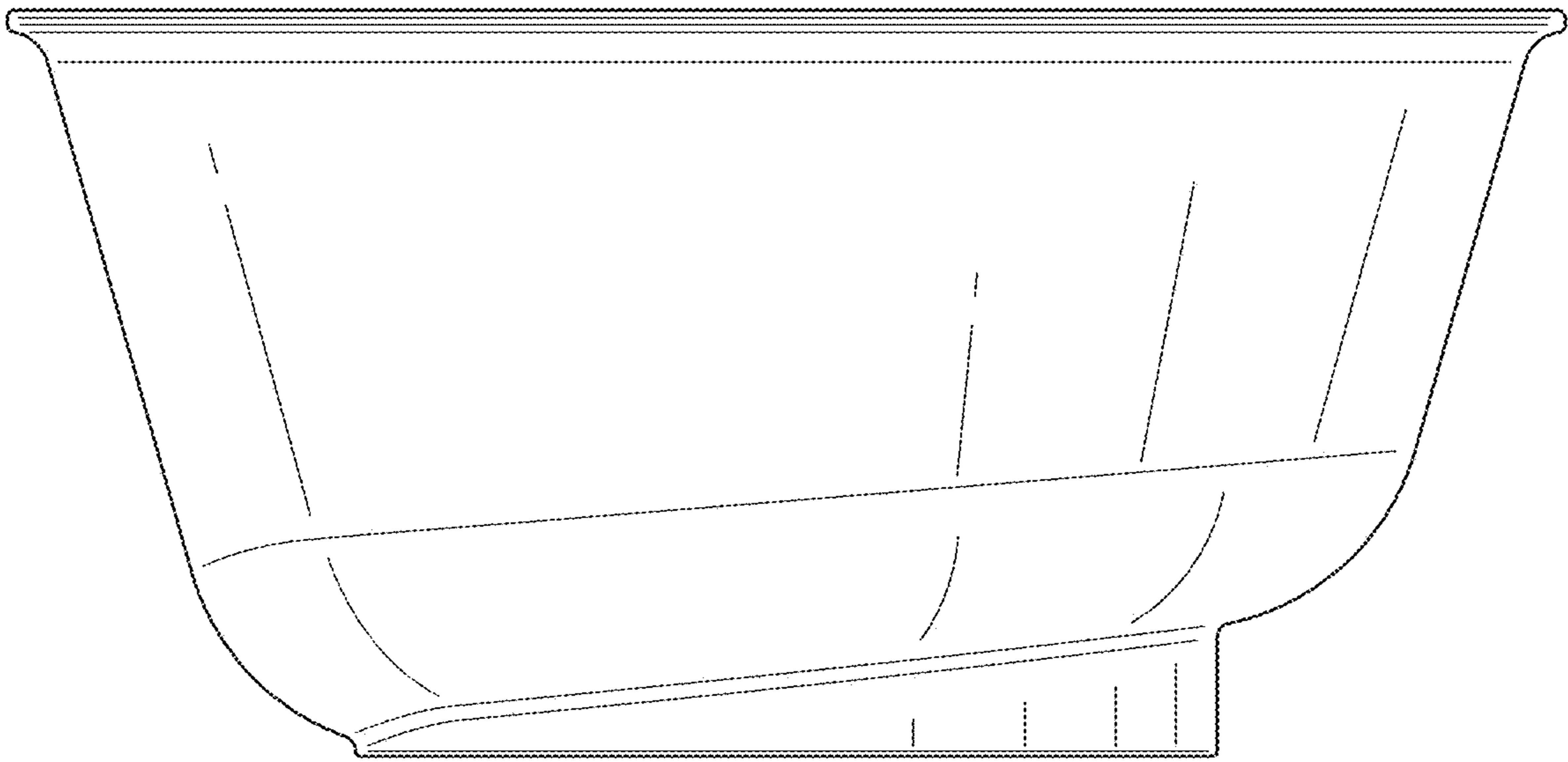


FIG. 3

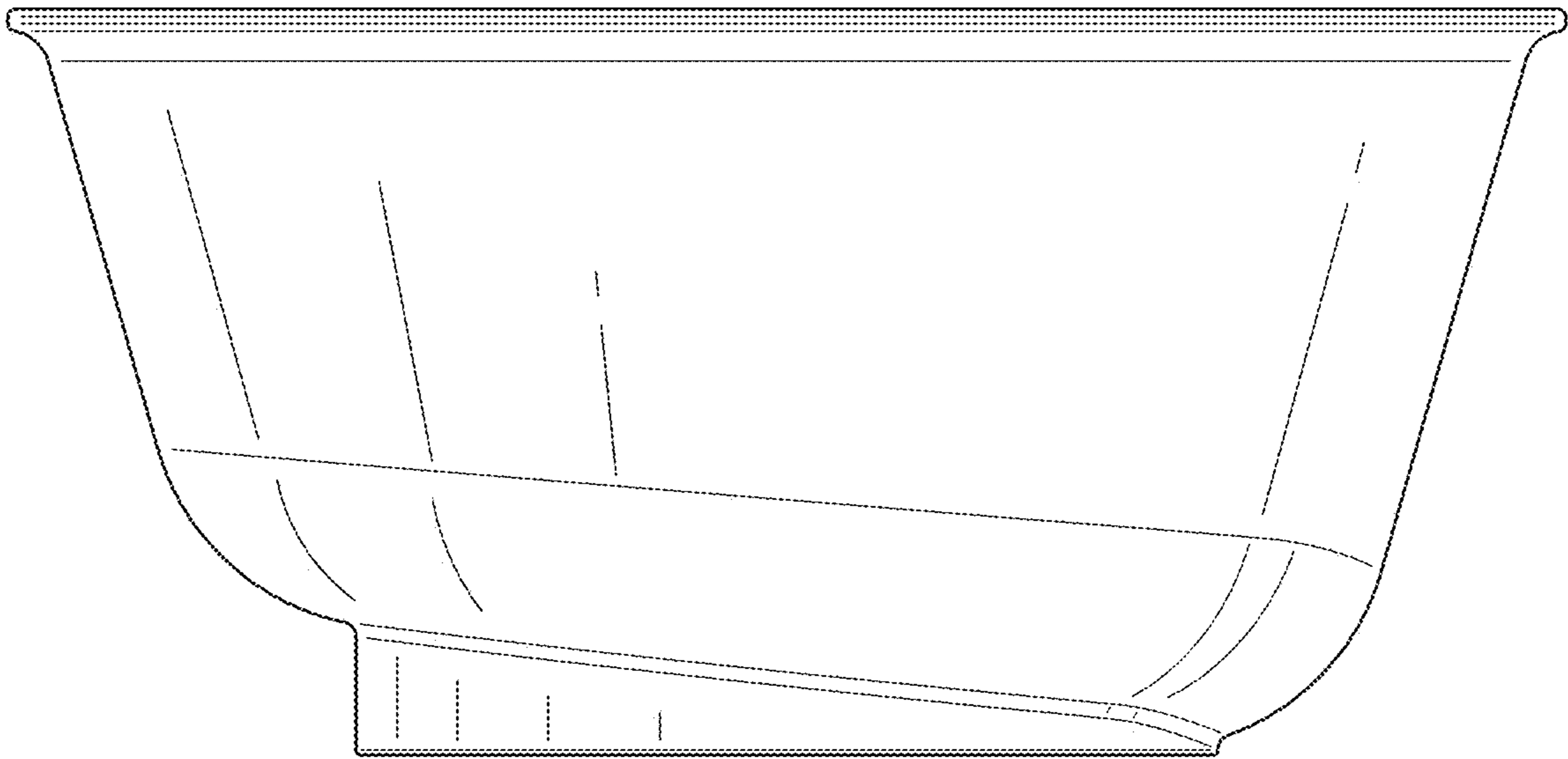
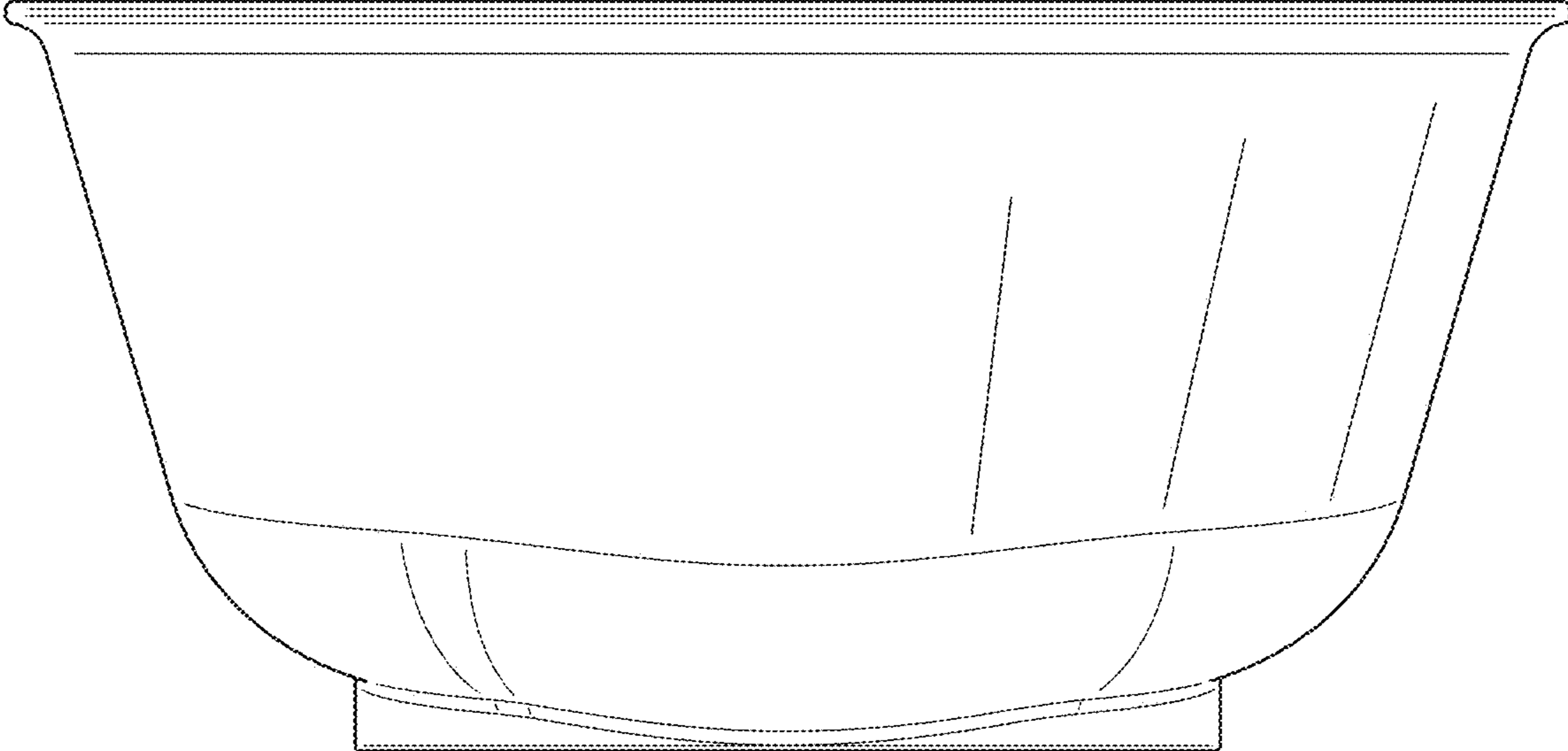
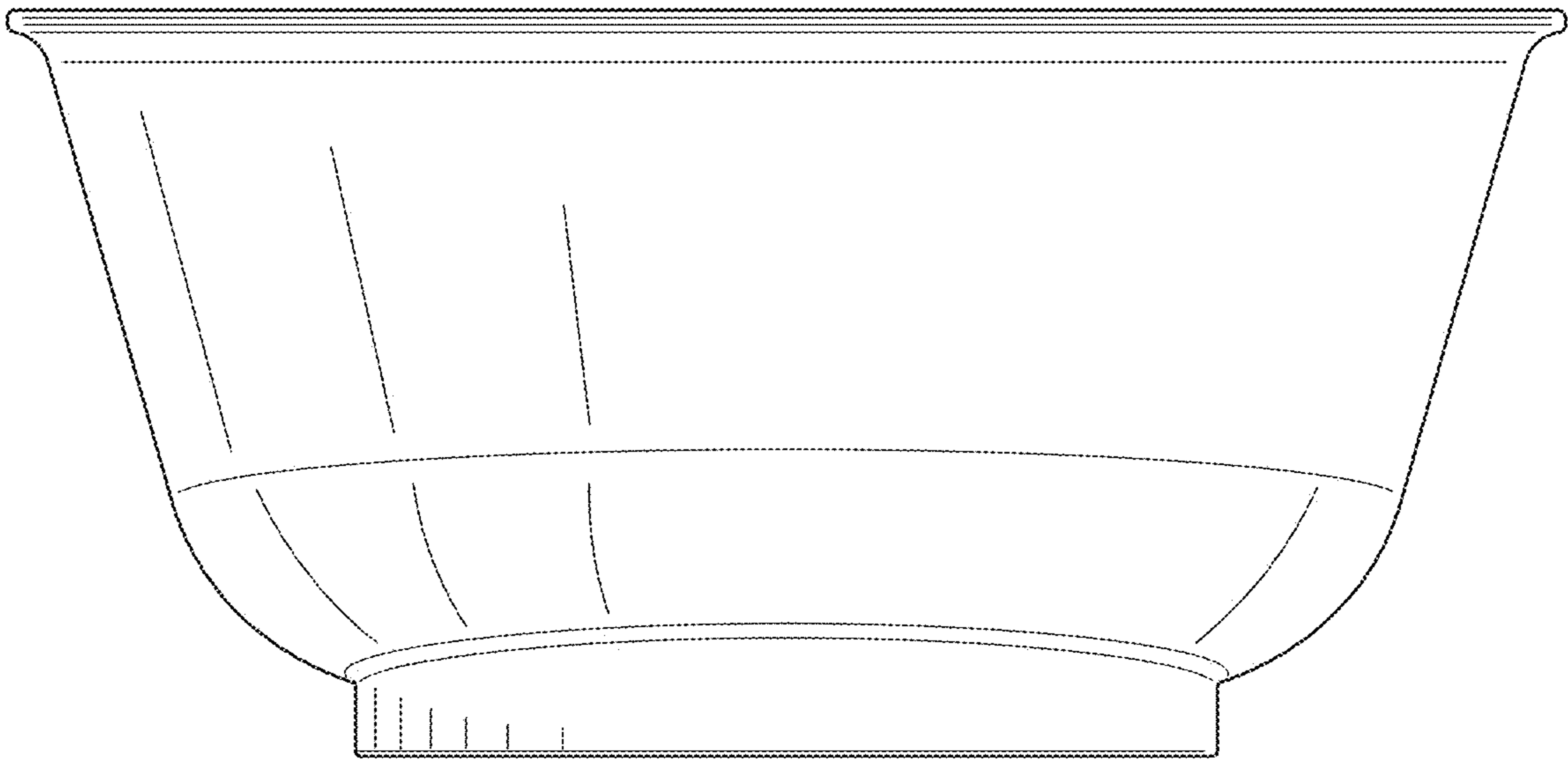


FIG. 4



*FIG. 5*



*FIG. 6*



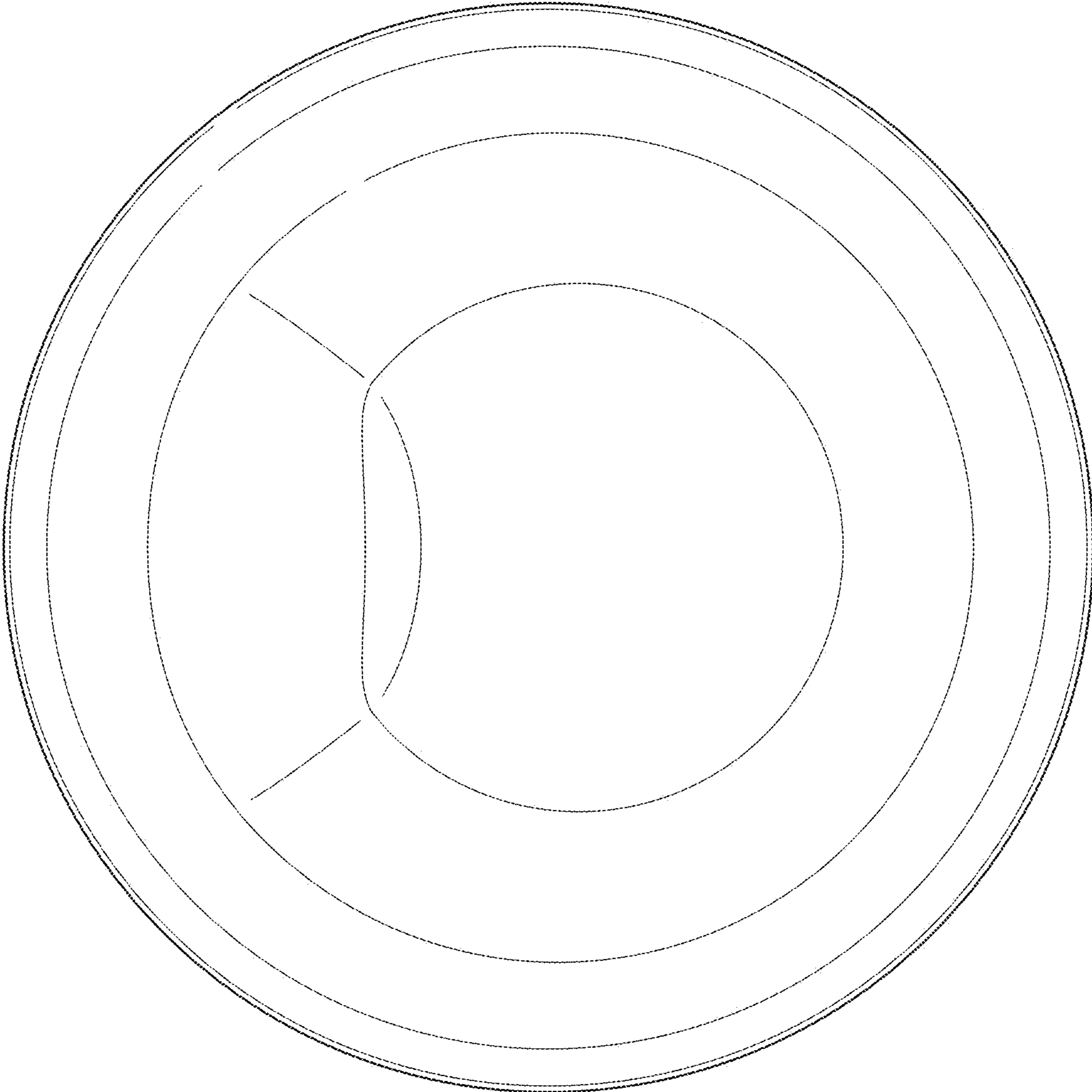


FIG. 7

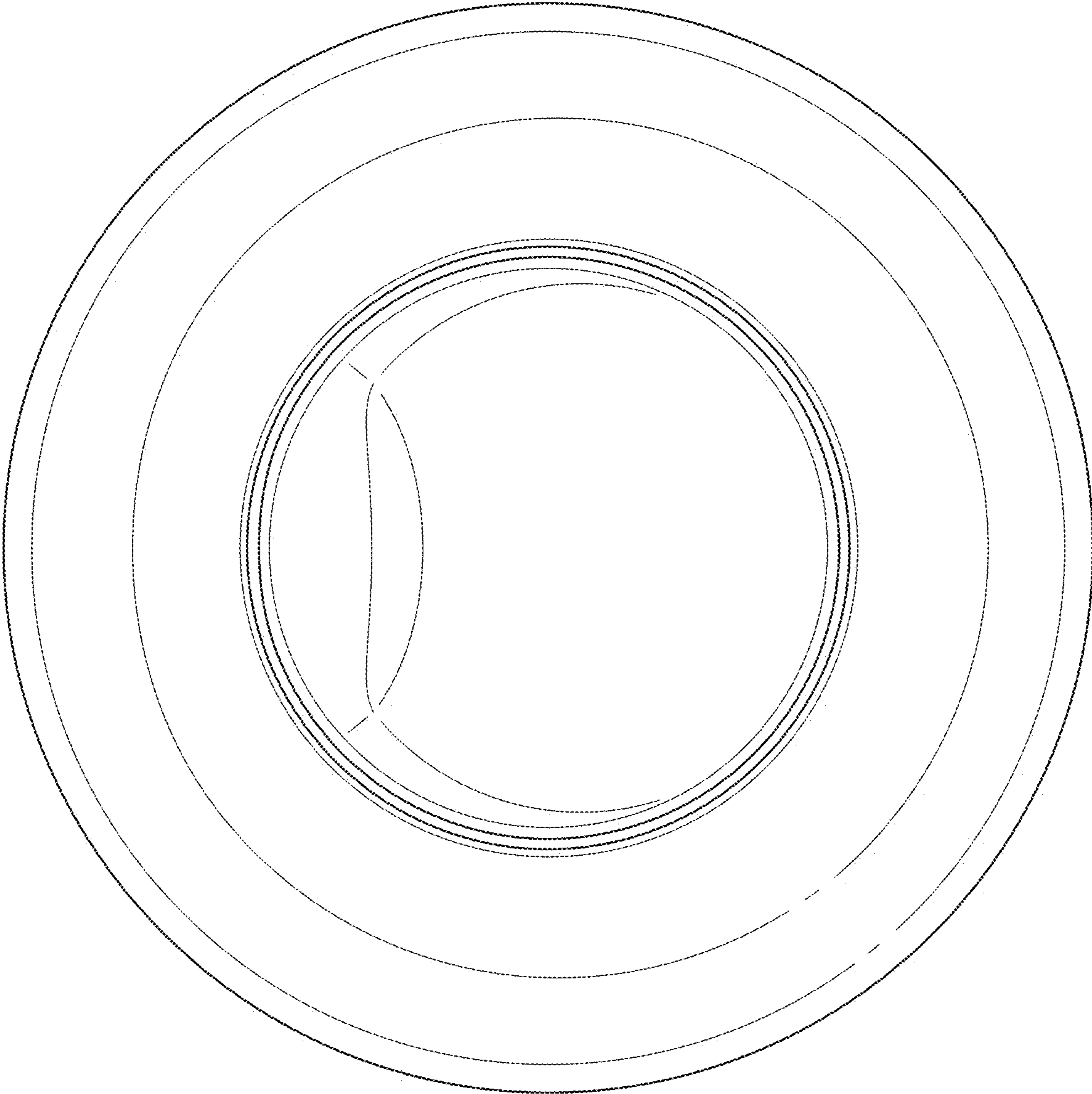


FIG. 8