



US00D976647S

(12) **United States Design Patent** (10) **Patent No.:** **US D976,647 S**
Afoa et al. (45) **Date of Patent:** **** Jan. 31, 2023**

(54) **LEAK-PROOF BAKING MAT**

(71) Applicants: **Talia Afoa**, Leland, NC (US); **Xiaofei Ou**, Chino Hills, CA (US)

(72) Inventors: **Talia Afoa**, Leland, NC (US); **Xiaofei Ou**, Chino Hills, CA (US)

(**) Term: **15 Years**

(21) Appl. No.: **29/771,180**

(22) Filed: **Feb. 19, 2021**

(51) **LOC (14) Cl.** **07-04**

(52) **U.S. Cl.**
USPC **D7/412**

(58) **Field of Classification Search**
USPC D6/582; D7/354, 357, 359, 360, 368,
D7/392.1, 412, 550.1, 553.2, 553.5,
D7/554.3, 698
CPC A21B 3/13; A21B 3/132; A21B 3/133;
A21B 3/134; A21C 9/081; A21C 15/00;
A47G 23/06; A47J 37/10; A47J 47/005
See application file for complete search history.

(56) **References Cited**

U.S. PATENT DOCUMENTS

1,396,684	A *	11/1921	Hansen	A21B 3/13
					D7/354
3,155,304	A	11/1964	Beerend		
5,411,204	A	5/1995	DeMay		
5,654,075	A	8/1997	Ramirez		
D440,117	S *	4/2001	Claffy	D7/553.2
D480,923	S *	10/2003	Neubourg	D7/554.3
D532,249	S *	11/2006	Logan	D7/354
D547,596	S *	7/2007	Levy	D7/354
D547,597	S *	7/2007	Levy	D7/354
D549,531	S *	8/2007	Kishbaugh	D7/698
D564,827	S *	3/2008	Ha	D7/354
D612,663	S	3/2010	Galperin		
D658,918	S *	5/2012	Brinker	D6/582

(Continued)

OTHER PUBLICATIONS

KAQ Silicone Baking Mat, amazon.com. First available date Apr. 29, 2022. Retrieved from the internet Aug. 22, 2022<URL:https://www.amazon.com/Silicone-Leakproof-TrayBPA-Free-Reusable-Non-stick/dp/B09Z5XGMR6 (Year: 2022).*

(Continued)

Primary Examiner — Joseph Kukella
Assistant Examiner — Darryl J Dardenne

(74) *Attorney, Agent, or Firm* — Kirk A. Buhler; Buhler & Associates Patenting

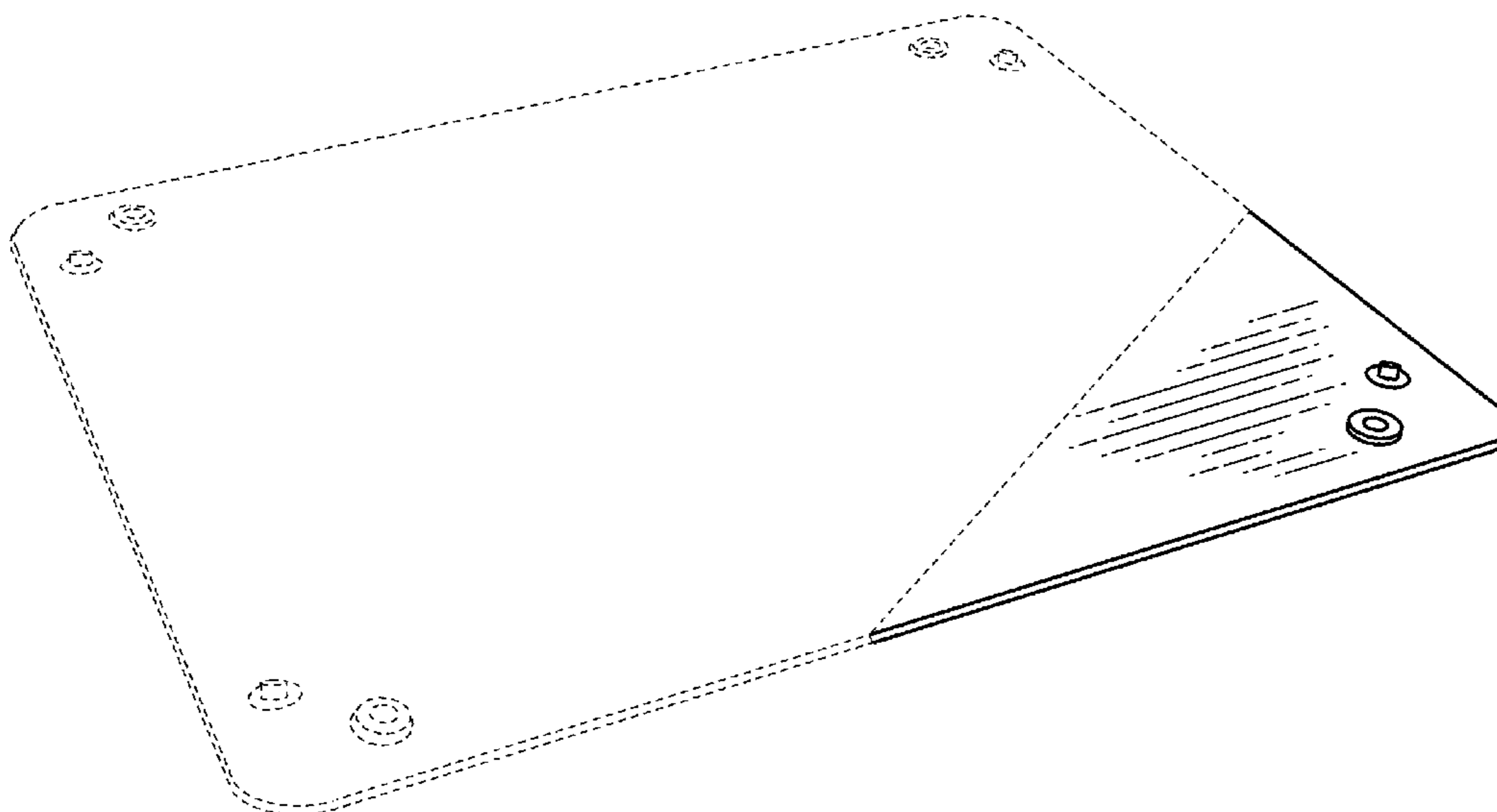
(57) **CLAIM**

The ornamental design for a leak-proof baking mat, as shown and described.

DESCRIPTION

FIG. 1 is a top perspective view of a leak-proof baking mat, showing a first embodiment of our new design;
FIG. 2 is a top plan view thereof;
FIG. 3 is a front elevation view thereof;
FIG. 4 is a rear elevation view thereof;
FIG. 5 is a right-side elevation view thereof;
FIG. 6 is a left side elevation view thereof;
FIG. 7 is a bottom view thereof;
FIG. 8 is a top perspective view shown in an environment of use thereof;
FIG. 9 is a top plan view of a leak-proof baking mat showing a second embodiment of our new design;
FIG. 10 is a front elevation view thereof;
FIG. 11 is a rear elevation view thereof;
FIG. 12 is a right-side elevation view thereof;
FIG. 13 is a left side elevation view thereof;
FIG. 14 is a bottom view thereof; and,
FIG. 15 is a top perspective view shown in an environment of use.
The broken lines in the figures depict environmental subject matter and form no part of the claimed design.

1 Claim, 9 Drawing Sheets



(56)

References Cited

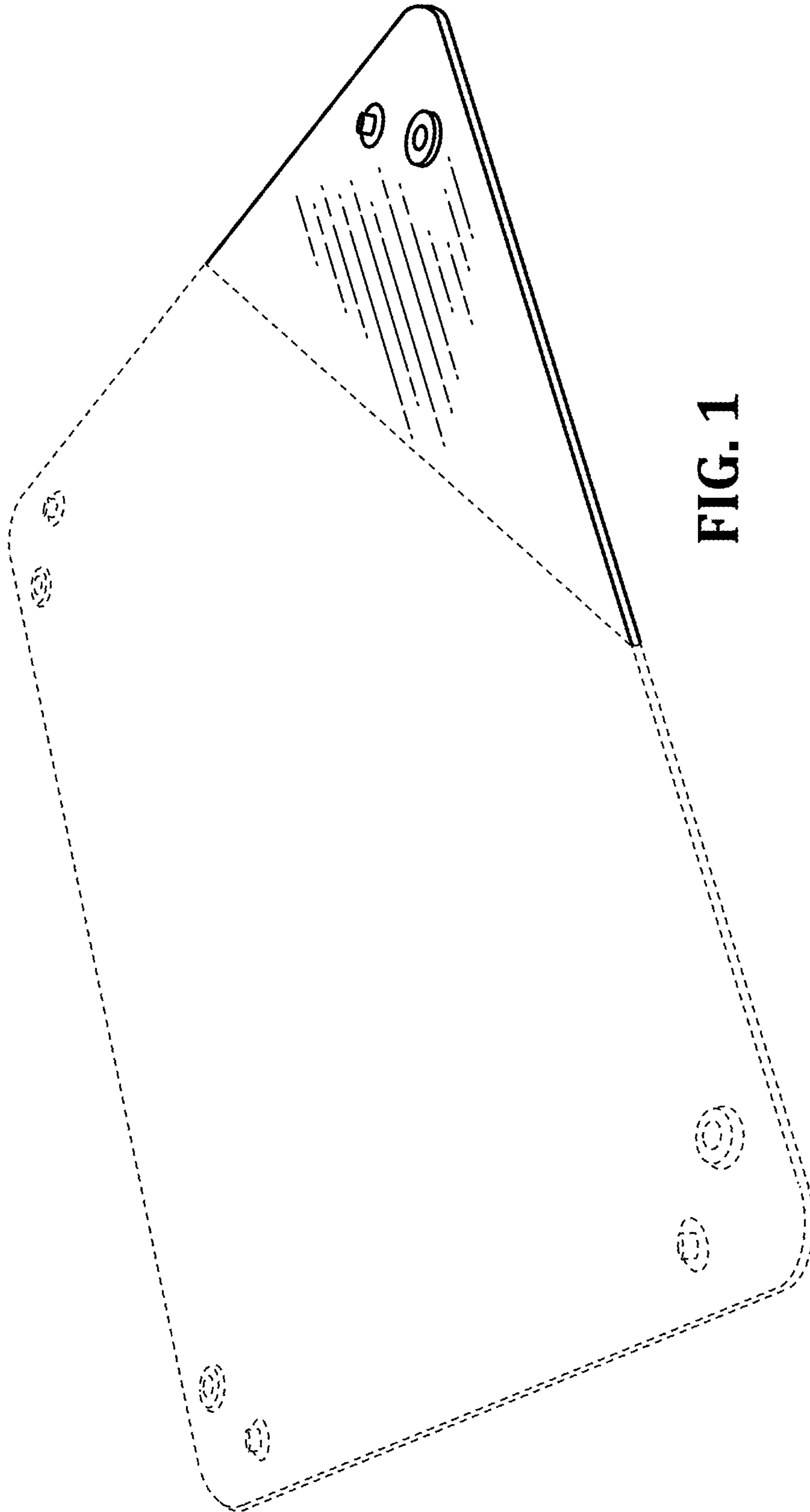
U.S. PATENT DOCUMENTS

D673,004	S *	12/2012	Lion	D7/354
D684,438	S *	6/2013	Joseph	D7/698
D734,996	S *	7/2015	Huttner	D7/698
D742,164	S	11/2015	Lindholm	
D743,185	S *	11/2015	Elliott	D6/582
9,307,861	B2	4/2016	Blucher	
D803,617	S *	11/2017	Mirchandani	D7/354
D811,773	S *	3/2018	Yang	D6/582
D814,847	S *	4/2018	Mirchandani	D7/354
D827,333	S *	9/2018	Patton	D6/582
D840,174	S *	2/2019	Kraemer	D32/57
D876,899	S *	3/2020	Pawluskiewicz	D7/554.3
D947,608	S *	4/2022	Gook	D7/407
2005/0199132	A1 *	9/2005	Meeks	A21B 3/136 99/426
2006/0108730	A1 *	5/2006	Kishbaugh	A47J 47/005 269/274
2010/0143645	A1 *	6/2010	Wilmsen	F26B 5/16 428/116

OTHER PUBLICATIONS

Grand Fusion Leakproof Silicone Non-stick Baking Mat, target.com. Retrieved from the internet Aug. 22, 2022<URL:https://https://www.target.com/p/grand-fusion-leakproof-silicone-non-stick-baking-mat/-/A-87123066? (Year: 2022).*

* cited by examiner



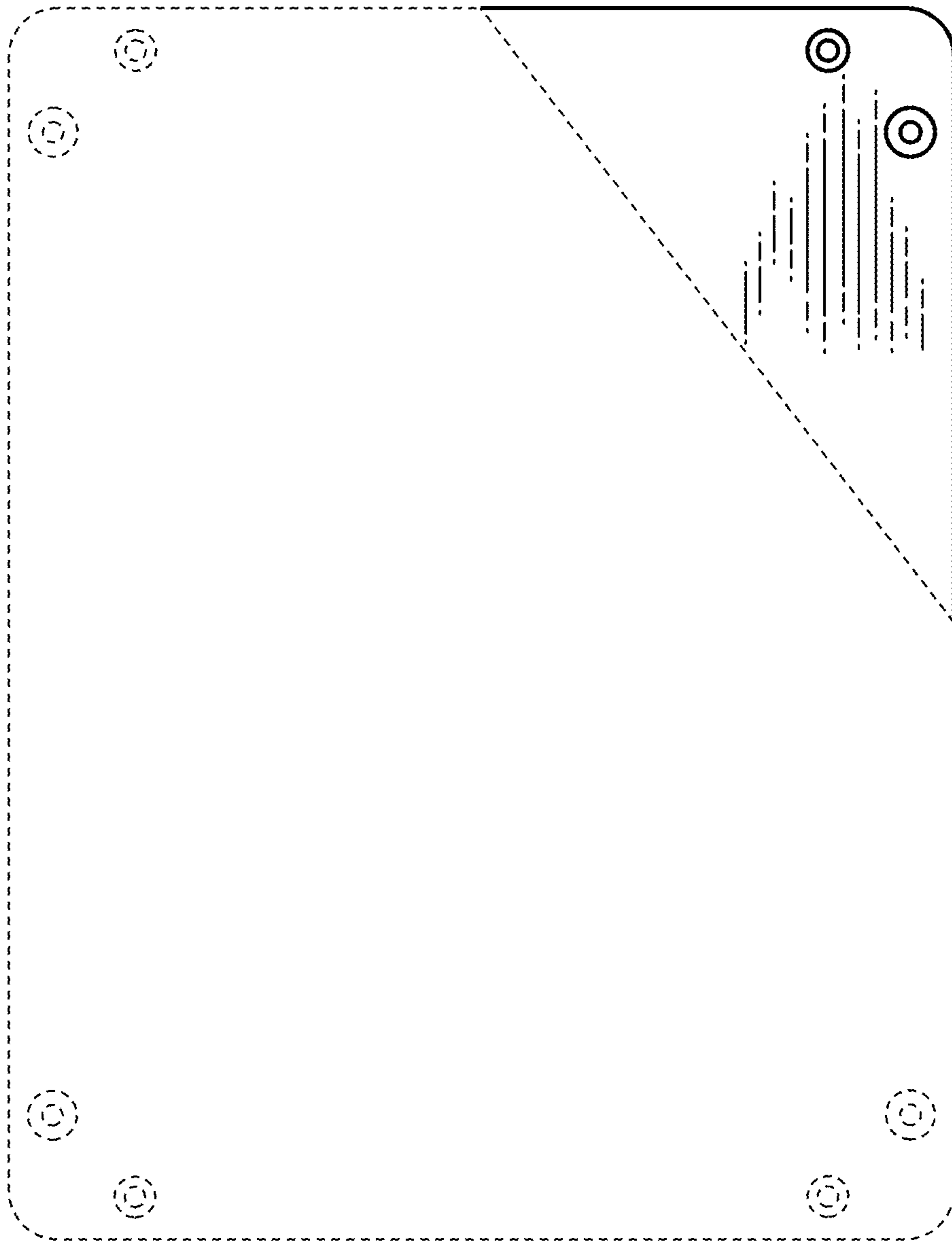


FIG. 2

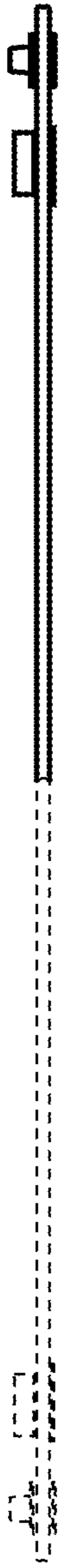


FIG. 3

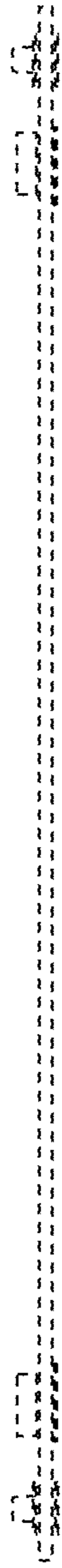


FIG. 4

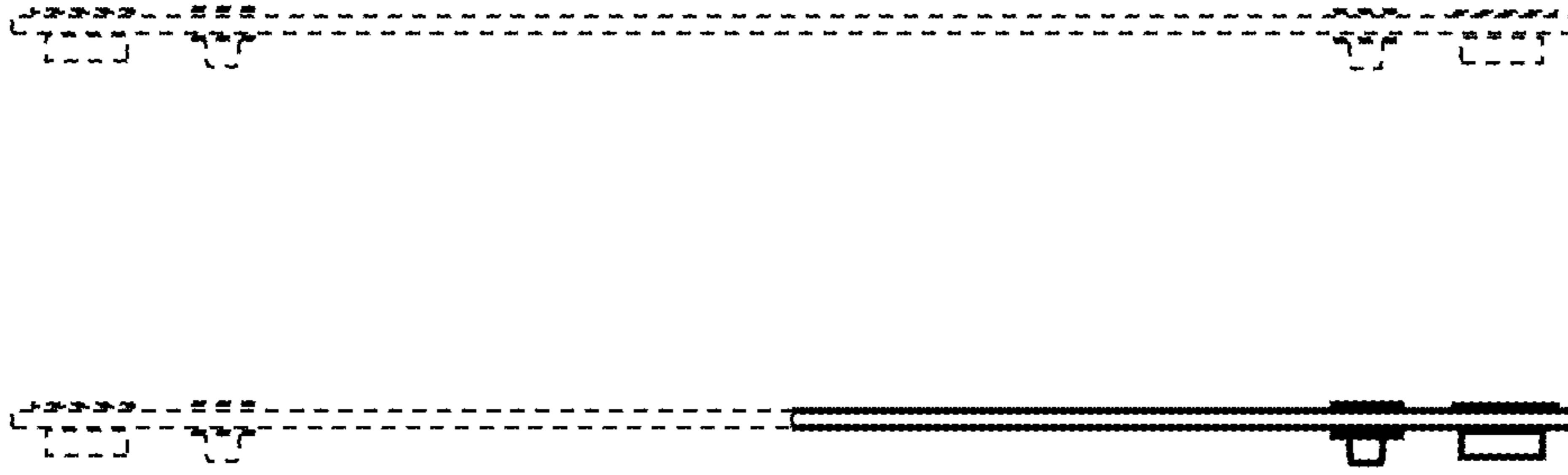


FIG. 5 **FIG. 6**

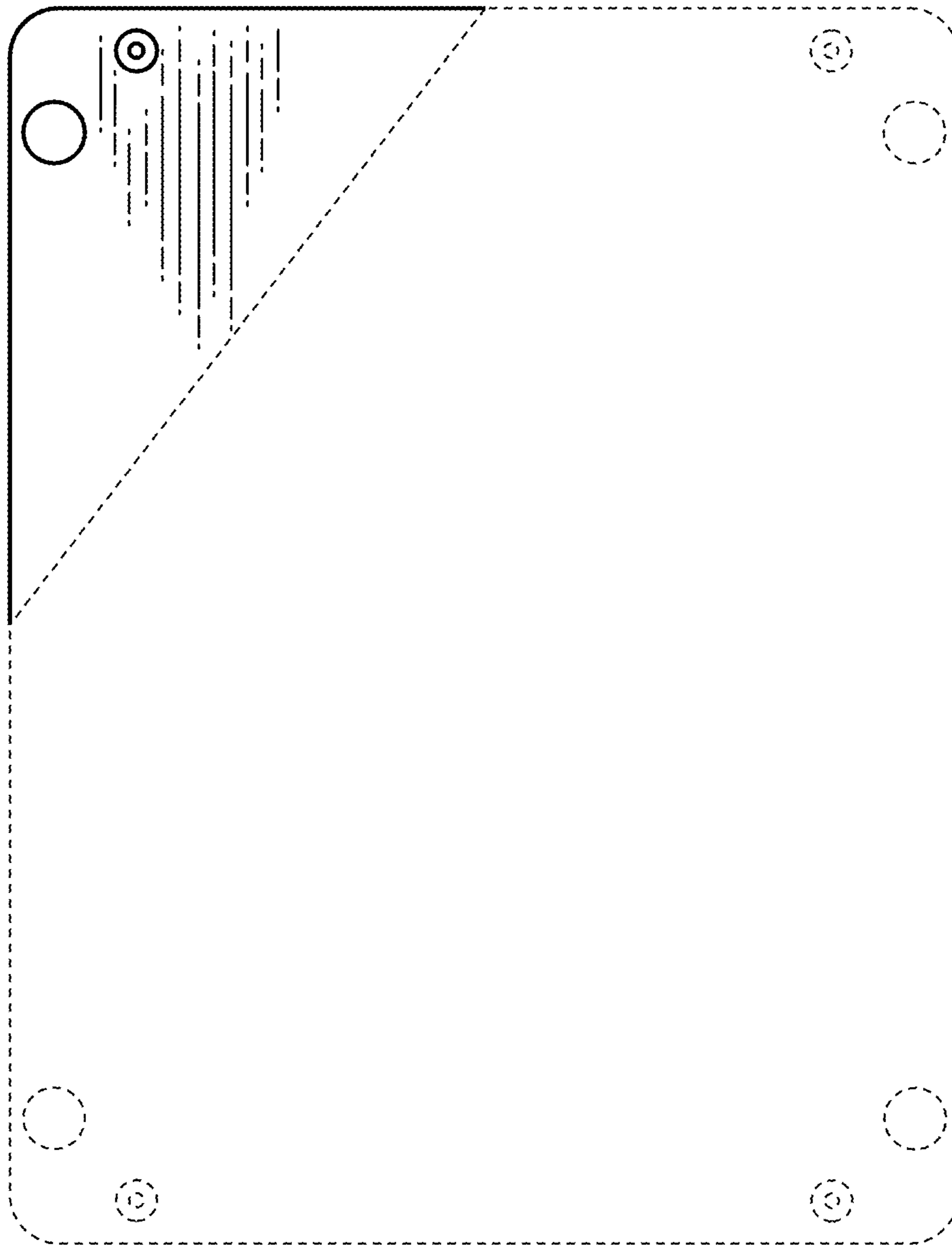


FIG. 7

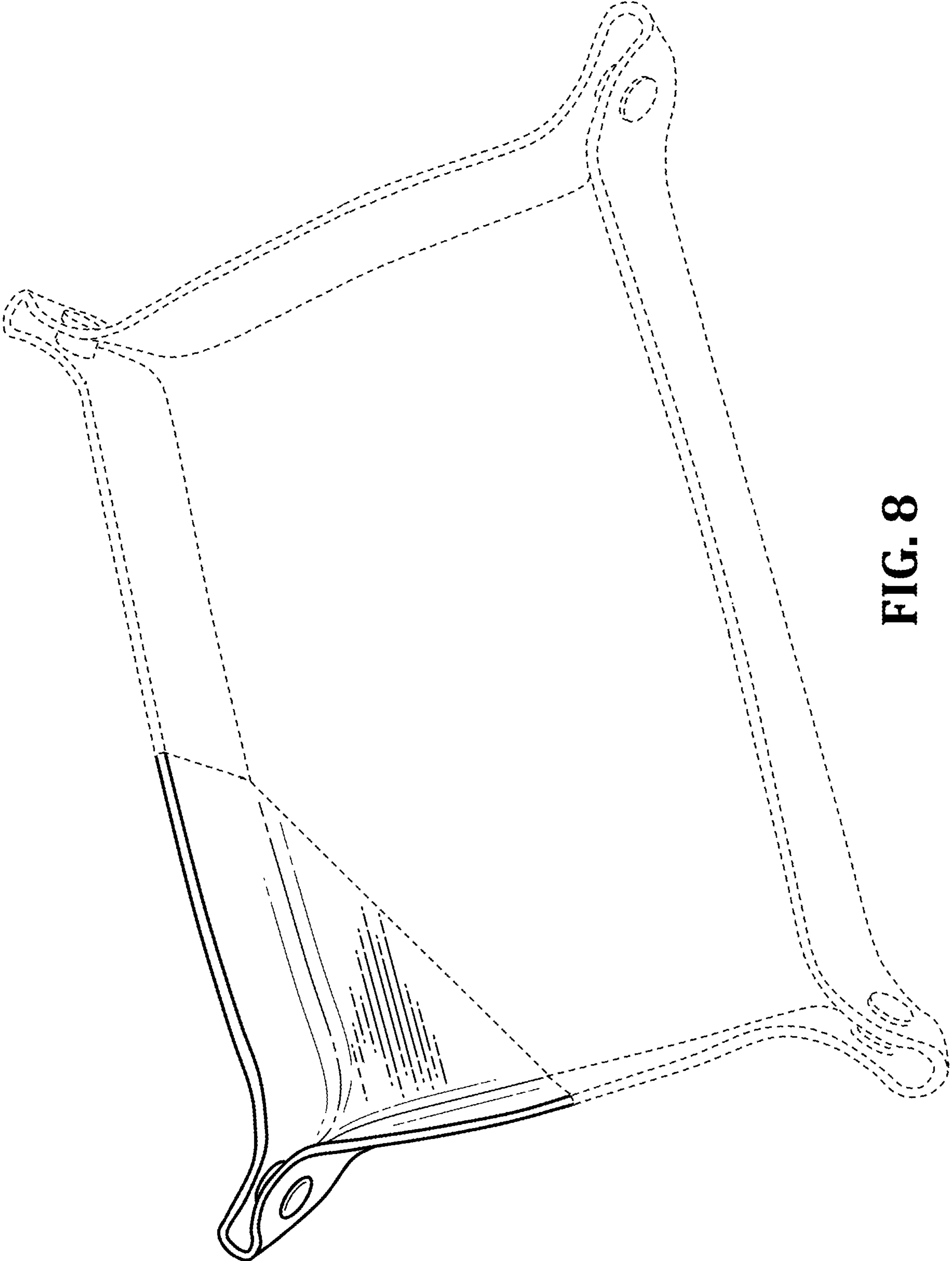


FIG. 8

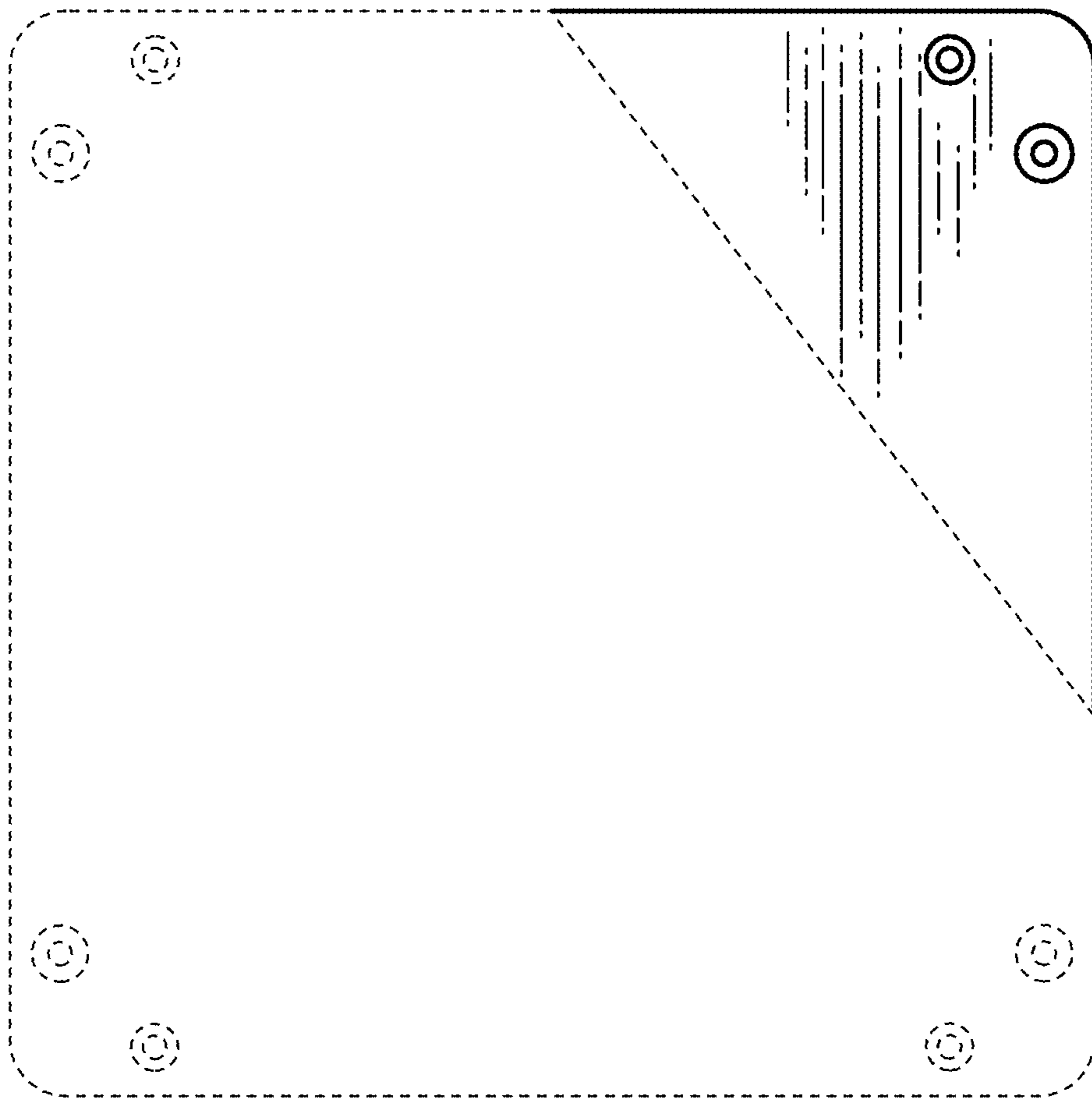


FIG. 9



FIG. 10

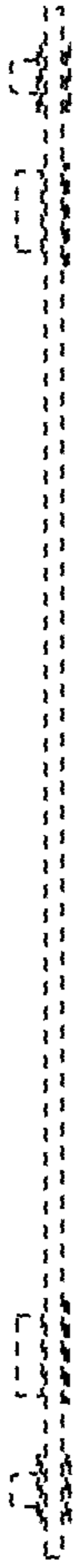


FIG. 11



FIG. 12 **FIG. 13**

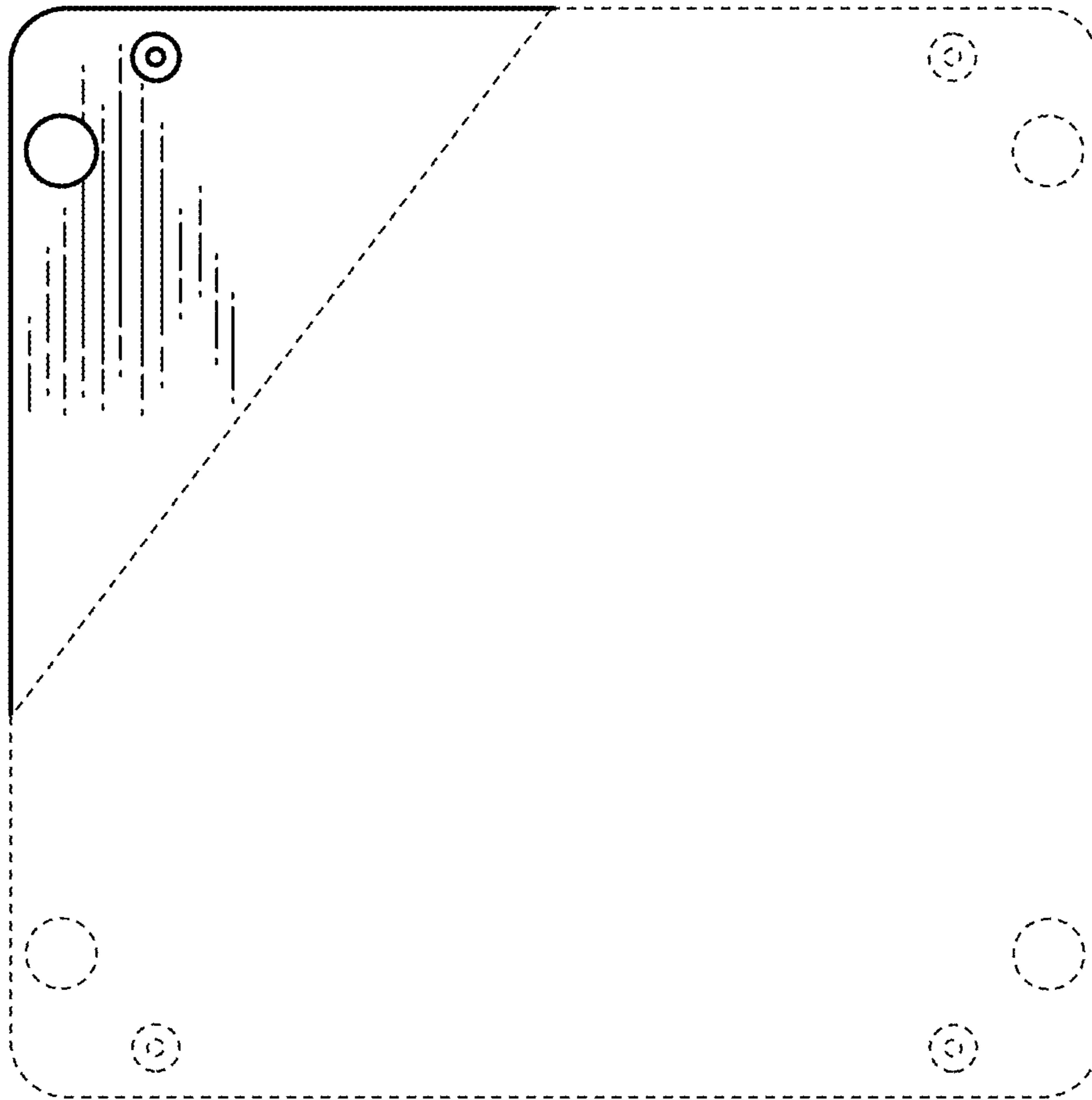


FIG. 14

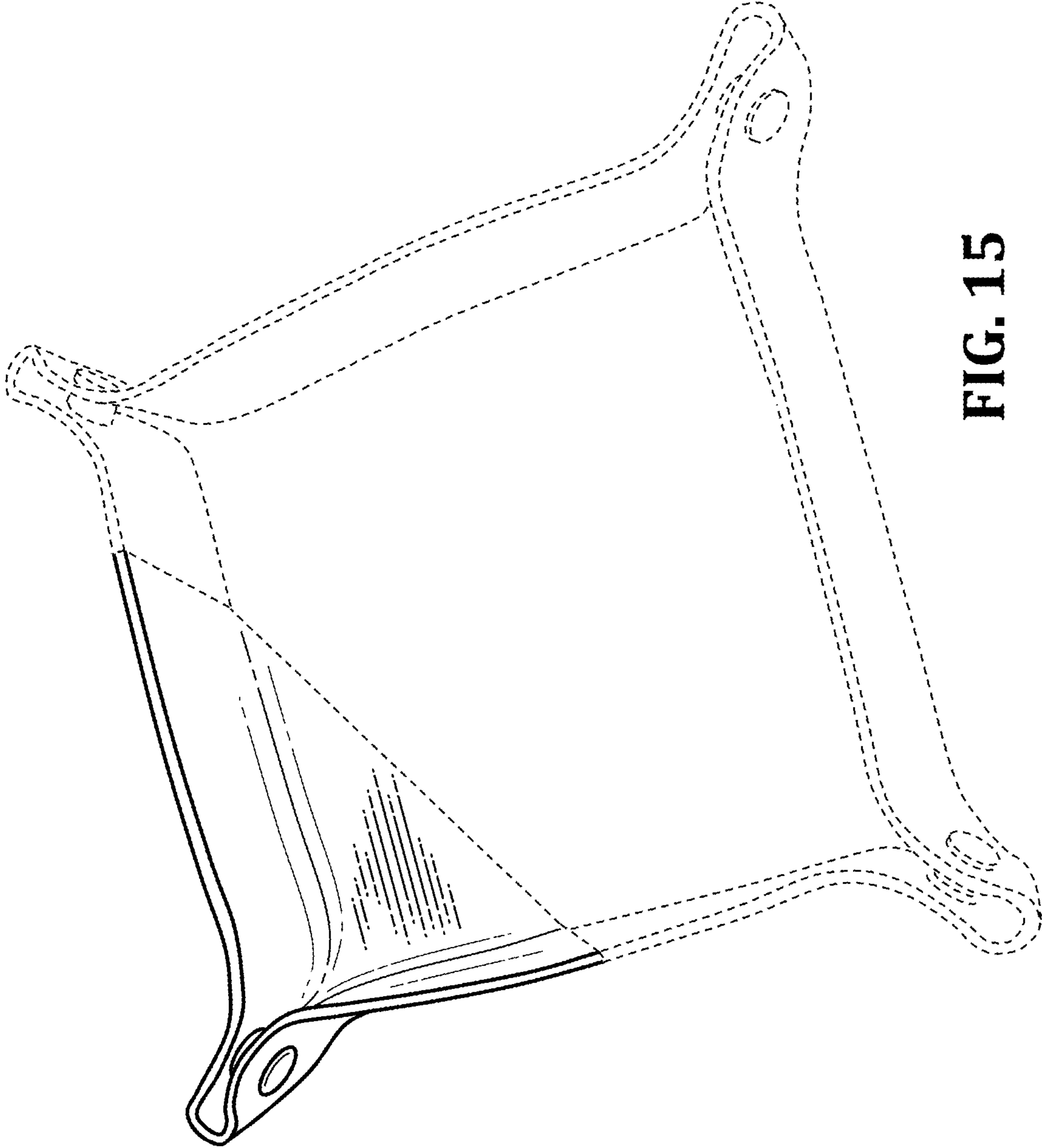


FIG. 15