



US00D976646S

(12) **United States Design Patent**
Sumner

(10) **Patent No.:** **US D976,646 S**
(45) **Date of Patent:** **** Jan. 31, 2023**

- (54) **SMOKER DEVICE**
- (71) Applicant: **Soak Limited**, Sandbach (GB)
- (72) Inventor: **Robert Sumner**, Sandbach (GB)
- (73) Assignee: **Soak Limited**, Sanbach (GB)
- (**) Term: **15 Years**

3,788,301 A	1/1974	Terry	
D286,027 S *	10/1986	Waher	D9/449
4,779,525 A	10/1988	Gaines	
5,048,406 A	9/1991	Cofer	
5,193,445 A	3/1993	Ferguson	
5,524,609 A *	6/1996	Krull	F24B 1/1808 44/535
D441,848 S *	5/2001	Huang	D23/261
D453,472 S *	2/2002	Kwong	D9/447

(Continued)

(21) Appl. No.: **29/822,394**

FOREIGN PATENT DOCUMENTS

(22) Filed: **Jan. 7, 2022**

WO 2020032912 A1 2/2020

Related U.S. Application Data

(63) Continuation of application No. 29/759,311, filed on Nov. 20, 2020, now Pat. No. Des. 944,594.

(51) **LOC (14) Cl.** **07-02**

(52) **U.S. Cl.**
USPC **D7/409**

(58) **Field of Classification Search**
USPC D7/323, 328–334, 339–349, 350.1, 368, D7/390, 402–406, 409; D8/300–306, D8/354; D9/435, 447; D23/260, 261, D23/266; D27/167

CPC ... A21B 2/00; A47J 37/00; A47J 37/06; A47J 37/0611; A47J 37/0704; A47J 37/08; A47J 37/0807; A47J 37/0814; A47J 37/0835; A47J 37/0842; A47J 37/085; A47J 37/0864; A47J 37/0878; A47J 37/0885; A47J 37/0892; F24B 1/205; F24B 1/1808; F24B 5/087; F24C 7/00; F24C 7/002; F24C 7/046; F24C 7/067; F24C 15/02; F24C 15/04; F24C 15/10; F24C 15/102; F16B 37/043; E03C 1/20; E03F 5/0408

See application file for complete search history.

(56) **References Cited**

U.S. PATENT DOCUMENTS

2,246,804 A	6/1941	Lipschutz
2,967,023 A	1/1961	Huckabee

OTHER PUBLICATIONS

Vonfame Cocktail Smoker Kit. Date First Available on Amazon.com Dec. 8, 2021. [https://www.amazon.com/dp/B09N8ND6TB/ref\(Year: 2021\).*](https://www.amazon.com/dp/B09N8ND6TB/ref(Year: 2021).*)

Primary Examiner — Ricky Pham
(74) *Attorney, Agent, or Firm* — Sheets Law PLLC;
Kendal M. Sheets

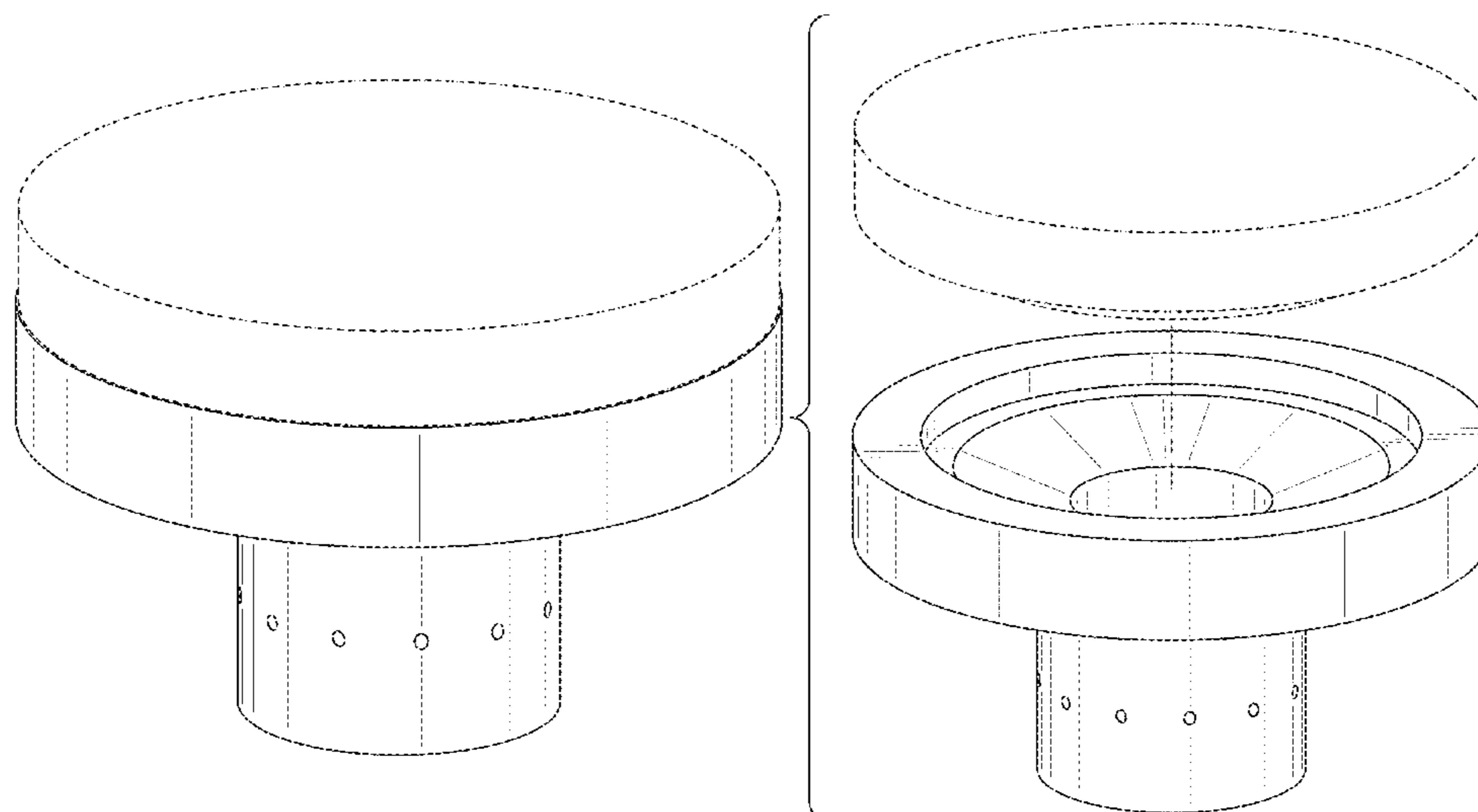
(57) **CLAIM**

The ornamental design for a smoker device, as shown and described.

DESCRIPTION

FIG. 1 is a front perspective view of a smoker device according to the new design;
FIG. 2 is a top plan view of the smoker device of FIG. 1;
FIG. 3 is a side view of the smoker device of FIG. 1, the opposite view being a mirror image;
FIG. 4 is bottom plan view of the smoker device of FIG. 1; and,
FIG. 5 is an exploded view of the smoker device of FIG. 1. The broken lines are included for the purpose of illustrating portions of the device that form no part of the claimed design.

1 Claim, 5 Drawing Sheets



(56)

References Cited

U.S. PATENT DOCUMENTS

6,481,344	B1	11/2002	Green	
6,779,438	B1	8/2004	Citrynell	
6,971,305	B1	12/2005	Thomas	
D613,828	S *	4/2010	Kinchen D23/260
7,694,626	B2	4/2010	Davis	
D721,539	S	1/2015	Johnson	
D722,721	S *	2/2015	Ross D27/167
9,433,241	B2	9/2016	Jalloul	
D781,402	S *	3/2017	Yan D23/266
9,603,372	B2	3/2017	Bader	
10,190,305	B2 *	1/2019	Howson E03F 5/0408
10,420,351	B2	9/2019	Vinett	
D944,594	S *	3/2022	Sumner D7/409
D945,815	S *	3/2022	Oliver D7/368
D945,862	S *	3/2022	McClure F16B 37/043
				D8/354
2004/0025714	A1	2/2004	Neal	
2006/0042641	A1	3/2006	Young	
2008/0022455	A1 *	1/2008	McAlpine E03C 1/20
				4/679
2014/0261015	A1	9/2014	Nelson	
2014/0261016	A1	9/2014	Kaderil	
2018/0371387	A1	12/2018	Hall et al.	

* cited by examiner

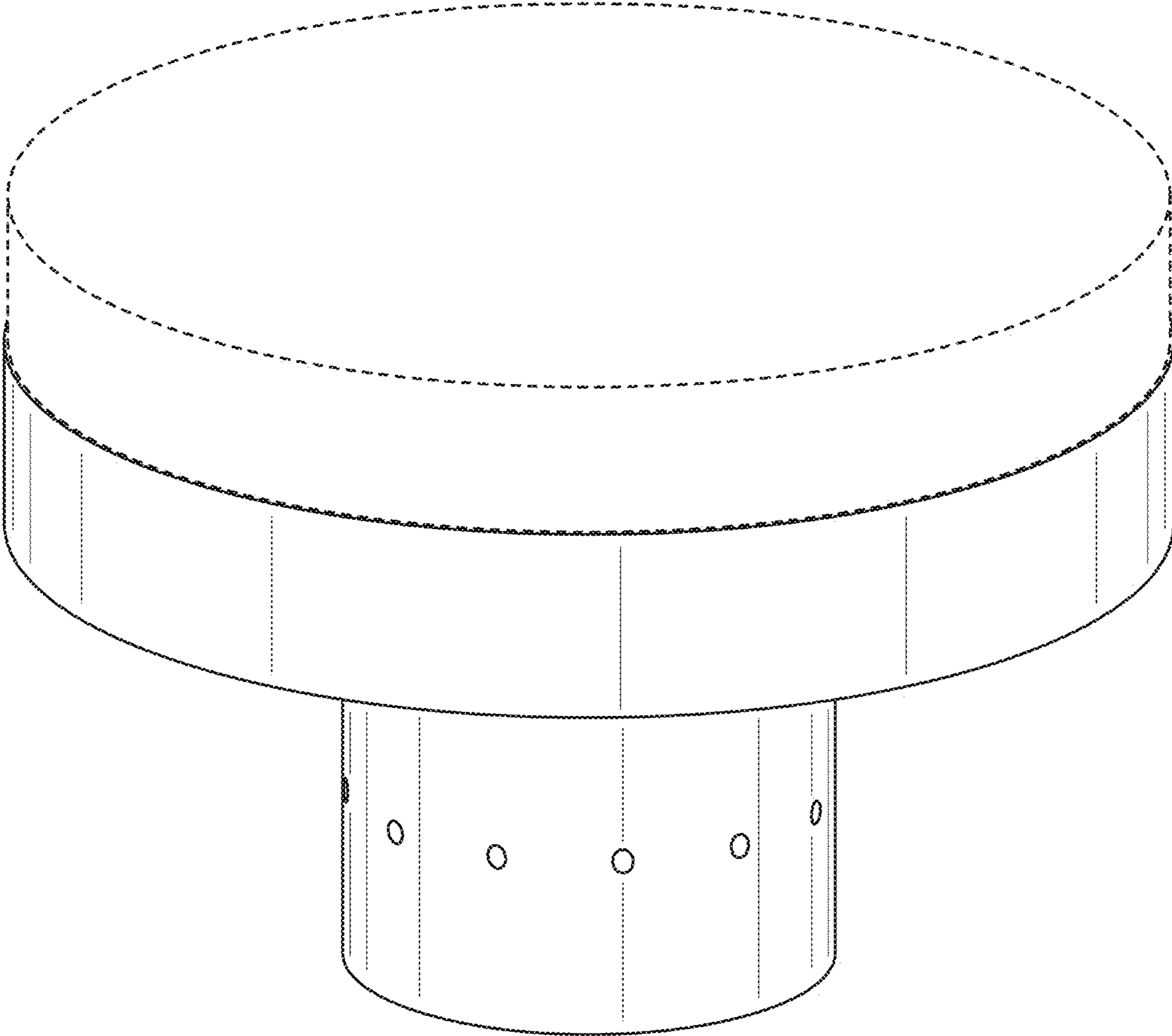


FIG. 1

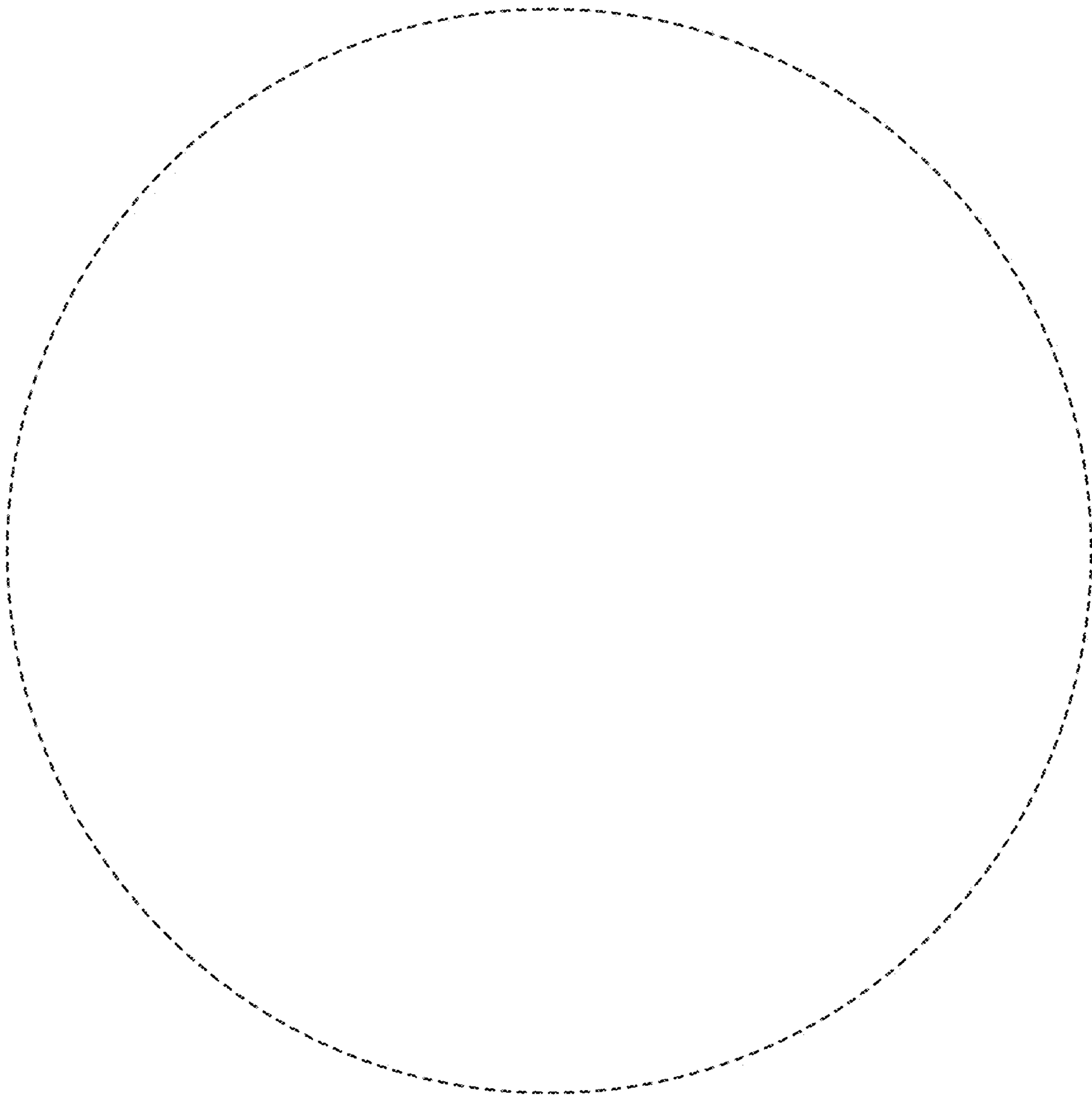


FIG. 2

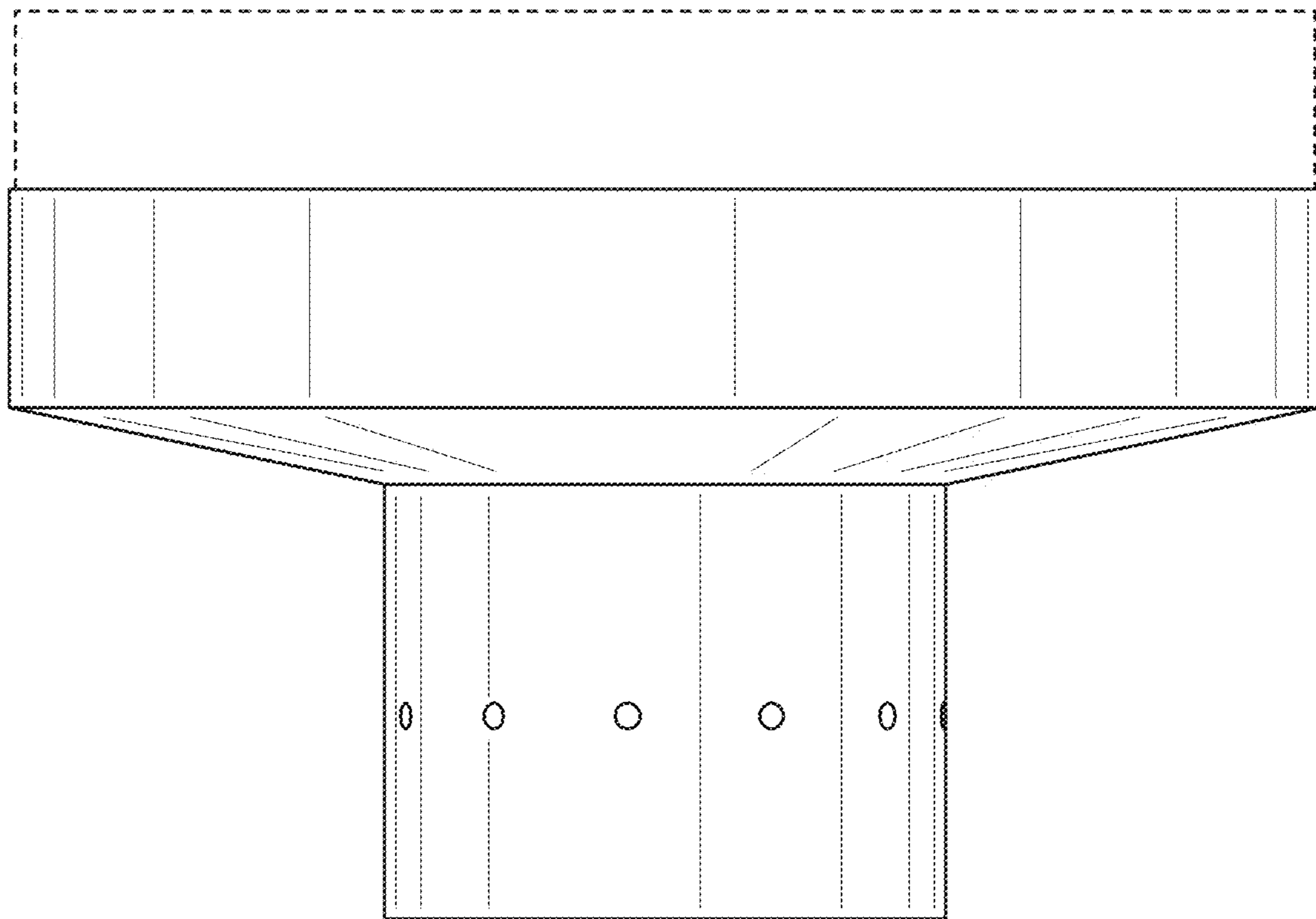


FIG. 3

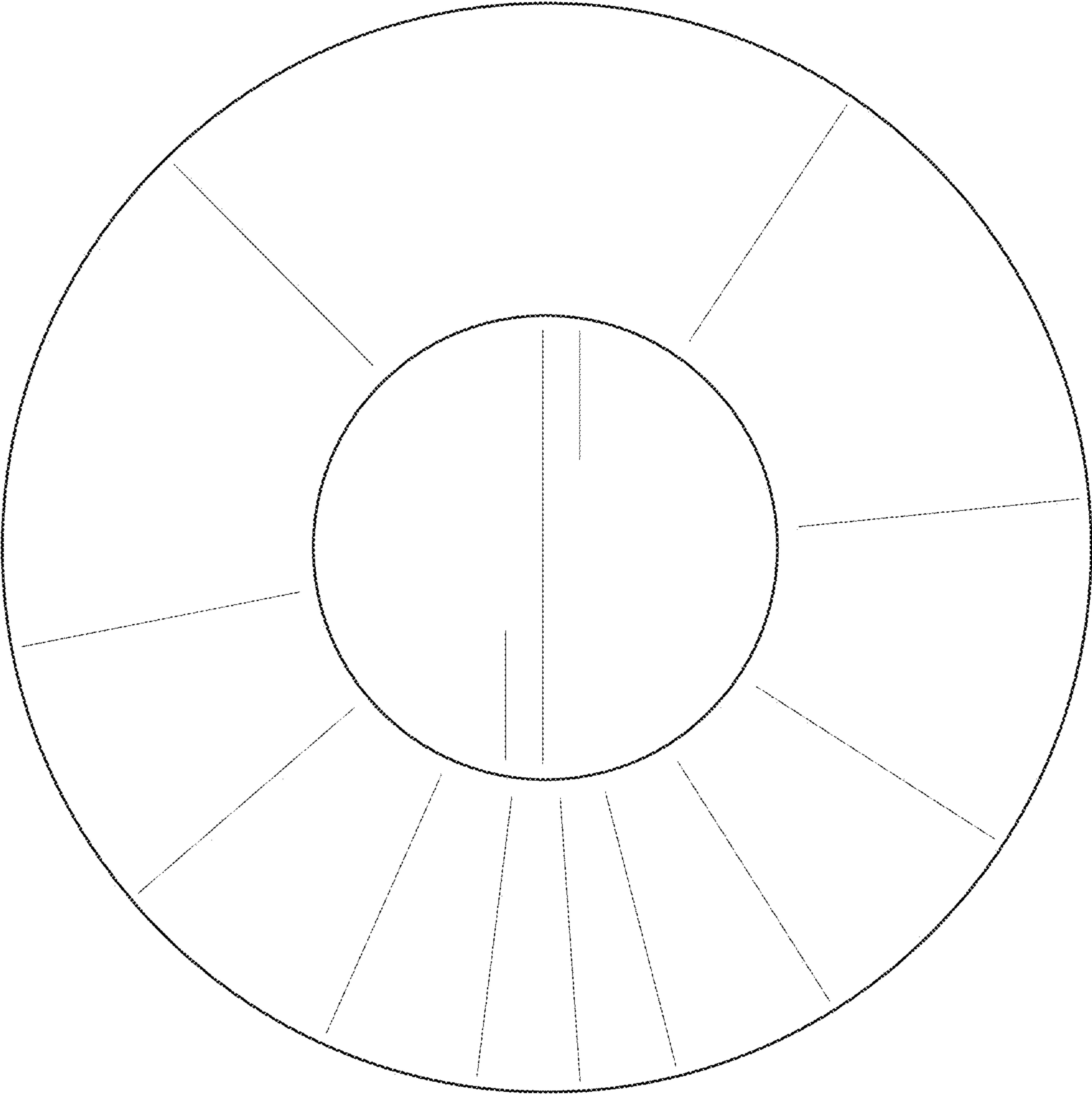


FIG. 4

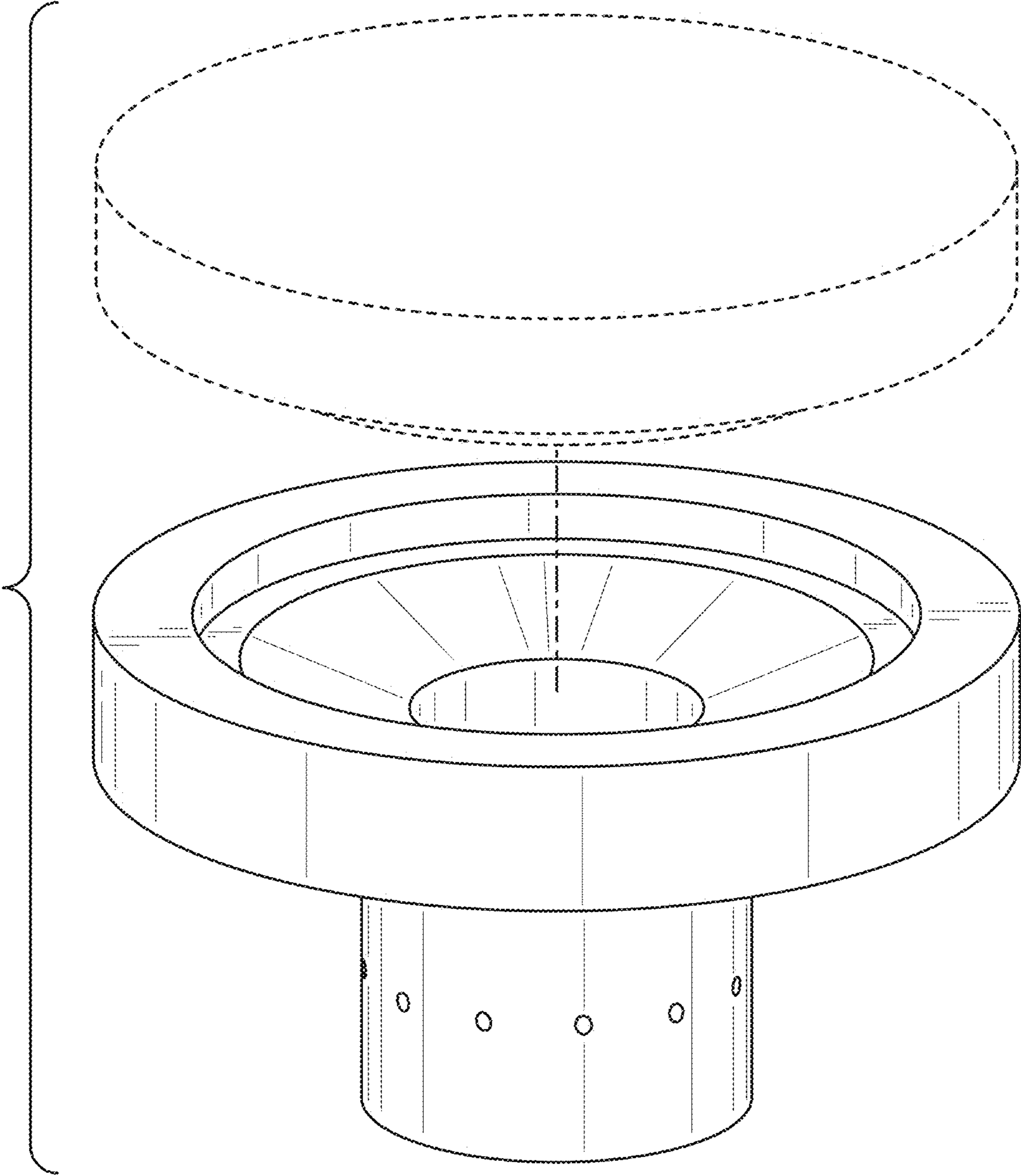


FIG. 5