



US00D976645S

(12) **United States Design Patent**  
**Ruan**

(10) **Patent No.:** **US D976,645 S**

(45) **Date of Patent:** **\*\* Jan. 31, 2023**

(54) **COOLING RACK**

(71) Applicant: **Shenzhen Lanqiaoying Technology Co., Ltd.**, Shenzhen (CN)

(72) Inventor: **Zhou Bin Ruan**, Gutian (CN)

(\*\*) Term: **15 Years**

(21) Appl. No.: **29/761,930**

(22) Filed: **Dec. 14, 2020**

(51) **LOC (14) Cl.** ..... **07-02**

(52) **U.S. Cl.**  
USPC ..... **D7/409**

(58) **Field of Classification Search**

USPC ..... D6/566, 675.2, 675.5; D7/323, 332, D7/335-337, 354-355, 359-364, D7/387-388, 402, 407-409, 704; D19/90  
CPC .... A21B 2/00; A21B 3/00; A21B 3/13; A21B 3/15; A21B 3/155; A21B 5/00; A21B 5/02; A23N 12/06; A23N 12/08; A23N 12/10; A47J 37/00; A47J 37/04; A47J 37/041; A47J 37/042; A47J 37/06; A47J 37/0688; A47J 37/0694; A47J 37/07; A47J 37/0704; A47J 37/0763; A47J 37/0786; A47J 37/10; A47J 47/20; A47J 2037/00; A47J 2037/06; A47J 2037/0611; A47J 2037/07; A47J 2037/0786; A47J 2037/0795; F24B 1/205; F24C 15/10; F24C 15/12; F24C 15/14; F24C 15/16; F24C 15/18; F24C 15/164; F24C 1/16; A47B 55/02; A47B 57/265

See application file for complete search history.

(56) **References Cited**

**U.S. PATENT DOCUMENTS**

1,946,711 A \* 2/1934 Quisenberry ..... A47B 55/02  
211/181.1  
4,191,160 A \* 3/1980 Elliott ..... F24B 1/205  
99/450

D278,196 S \* 4/1985 Koves ..... D6/675.2  
5,415,302 A \* 5/1995 Carlson ..... A47B 57/265  
211/187  
D368,186 S \* 3/1996 Tiemann ..... D32/59  
D369,933 S \* 5/1996 Tiemann ..... D6/566  
5,823,100 A \* 10/1998 Wienhold ..... F24C 15/16  
248/172  
D620,729 S \* 8/2010 Snider ..... D6/675.3  
D756,458 S \* 5/2016 Tsai ..... D19/90  
D762,402 S \* 8/2016 Hsu ..... D6/675.5  
D911,084 S \* 2/2021 Sabounjian ..... D6/675.2

**OTHER PUBLICATIONS**

Fox Run 4698 Stackable Cooling Rack Set. Date First Available on Amazon.com Mar. 10, 2004. <https://www.amazon.com/dp/B000QIZ1AU/ref> (Year: 2004).\*

\* cited by examiner

*Primary Examiner* — Ricky Pham

(74) *Attorney, Agent, or Firm* — Runit Ranjit Kanakia

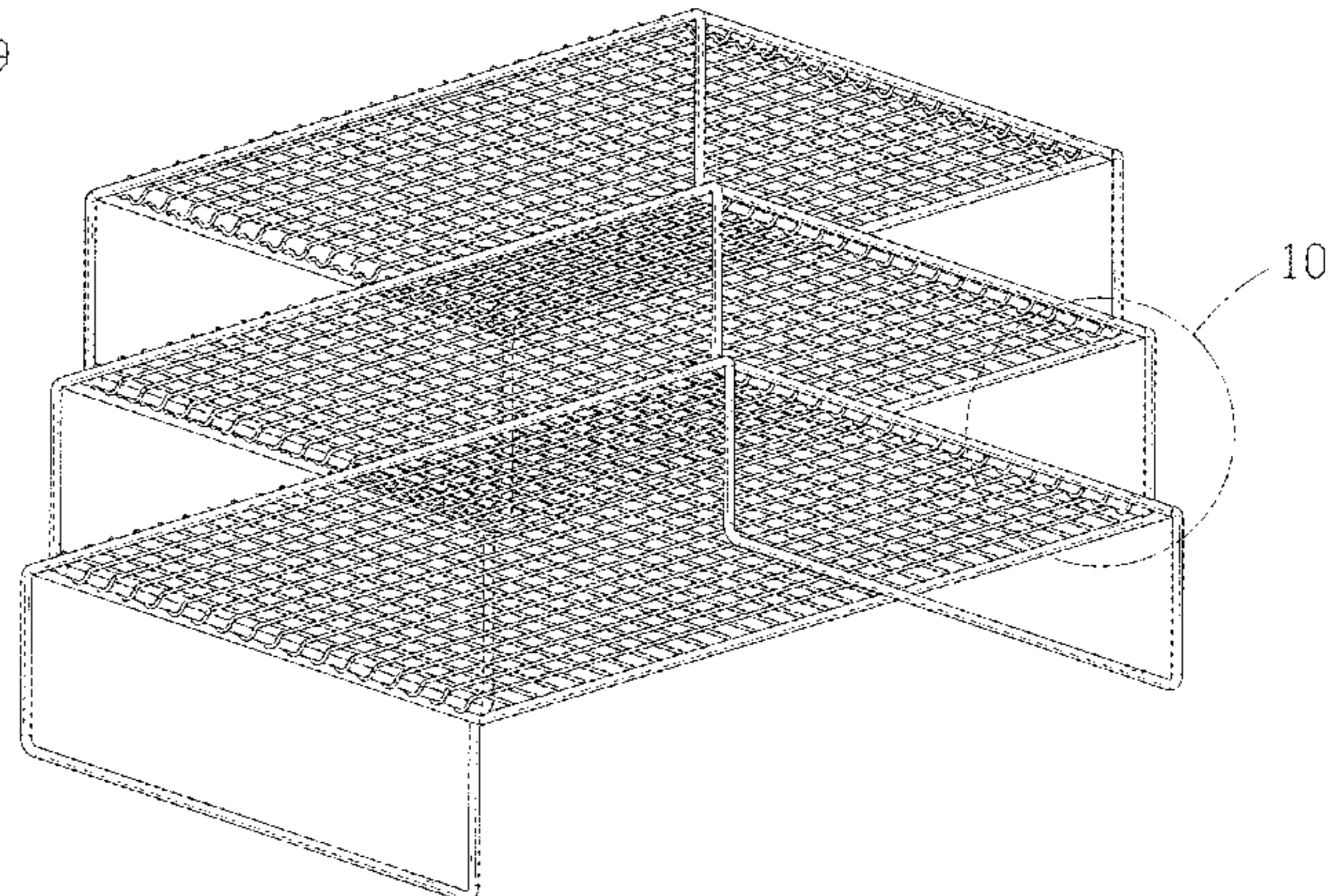
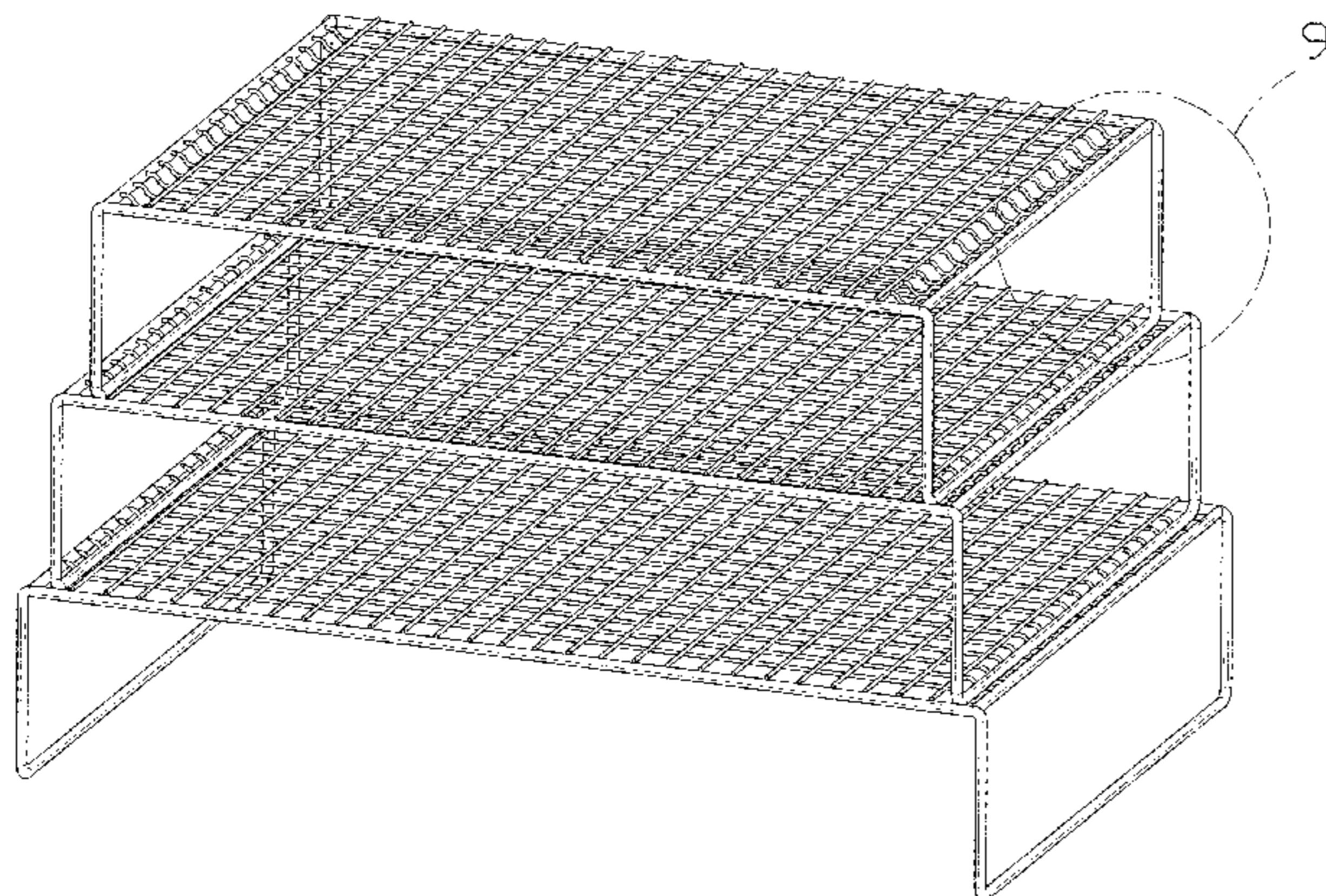
(57) **CLAIM**

The ornamental design for a cooling rack, as shown and described.

**DESCRIPTION**

FIG. 1 is a first perspective view of a cooling rack showing my new design;  
FIG. 2 is a second perspective view thereof;  
FIG. 3 is a front view thereof;  
FIG. 4 is a back view thereof;  
FIG. 5 is a left side view thereof;  
FIG. 6 is a right side view thereof;  
FIG. 7 is atop view thereof;  
FIG. 8 is a bottom view thereof;  
FIG. 9 is an enlarged view of the selected portion in FIG. 1; and,  
FIG. 10 is an enlarged view of the selected portion in FIG. 2.

**1 Claim, 10 Drawing Sheets**





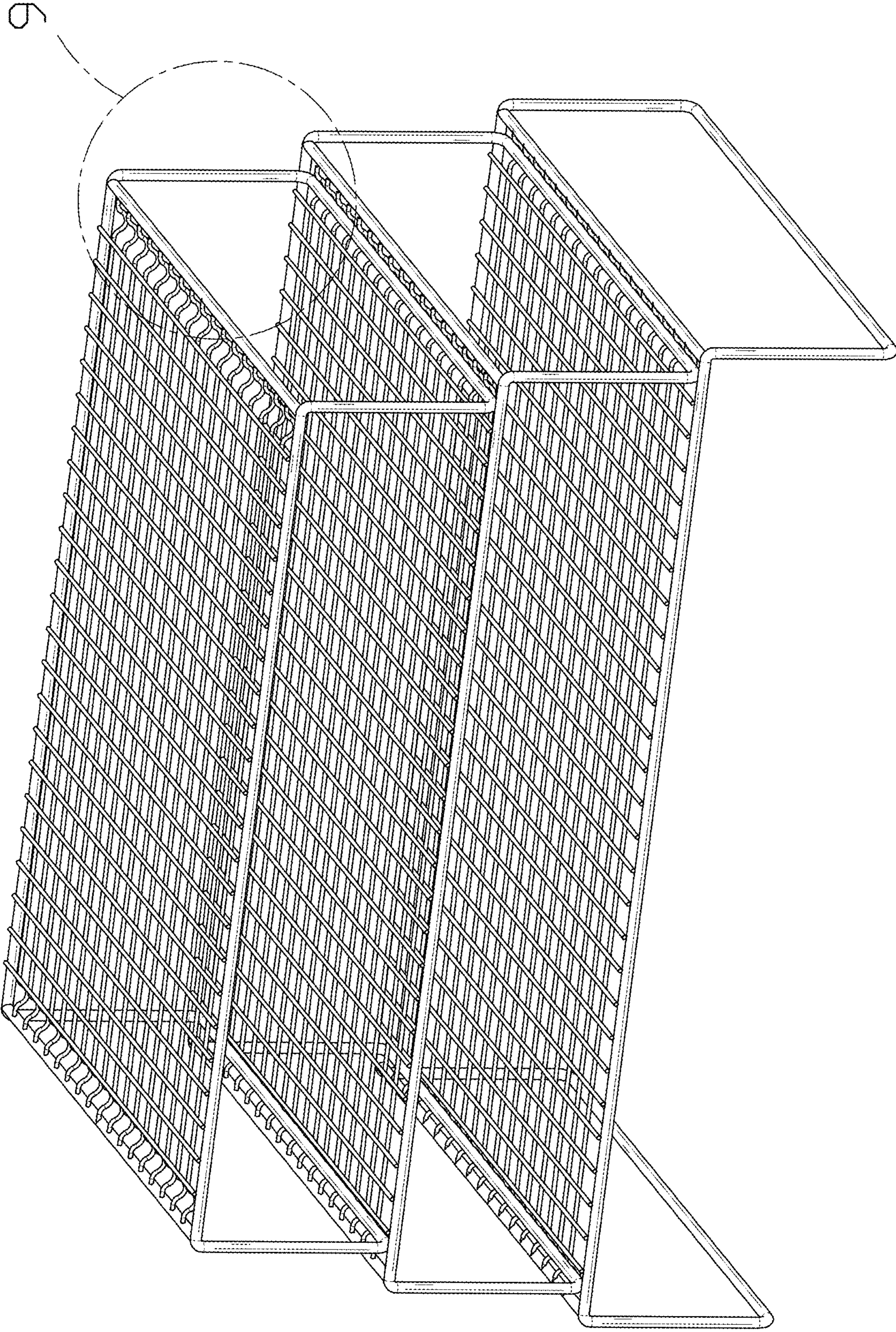


FIG. 1



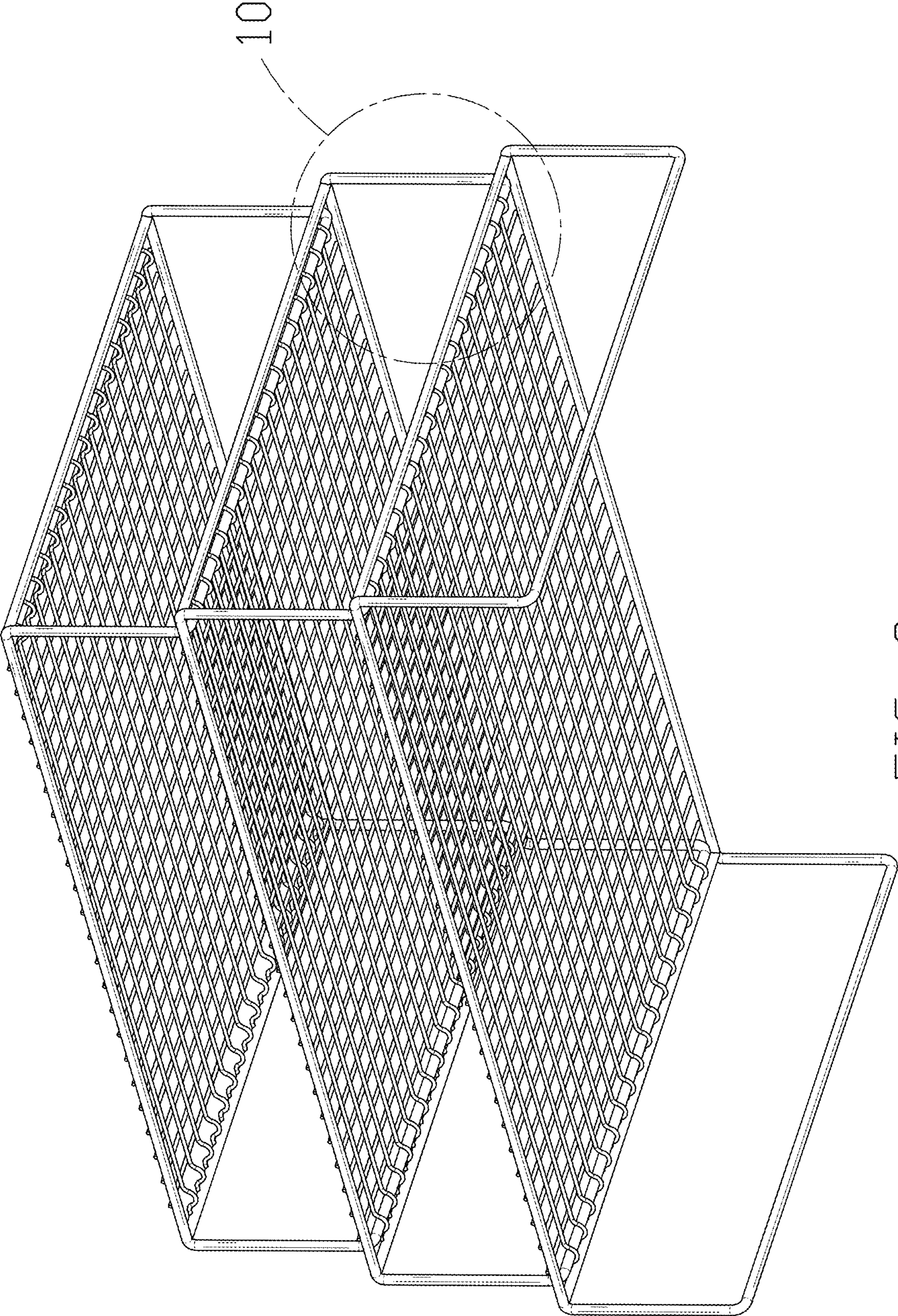


FIG. 2

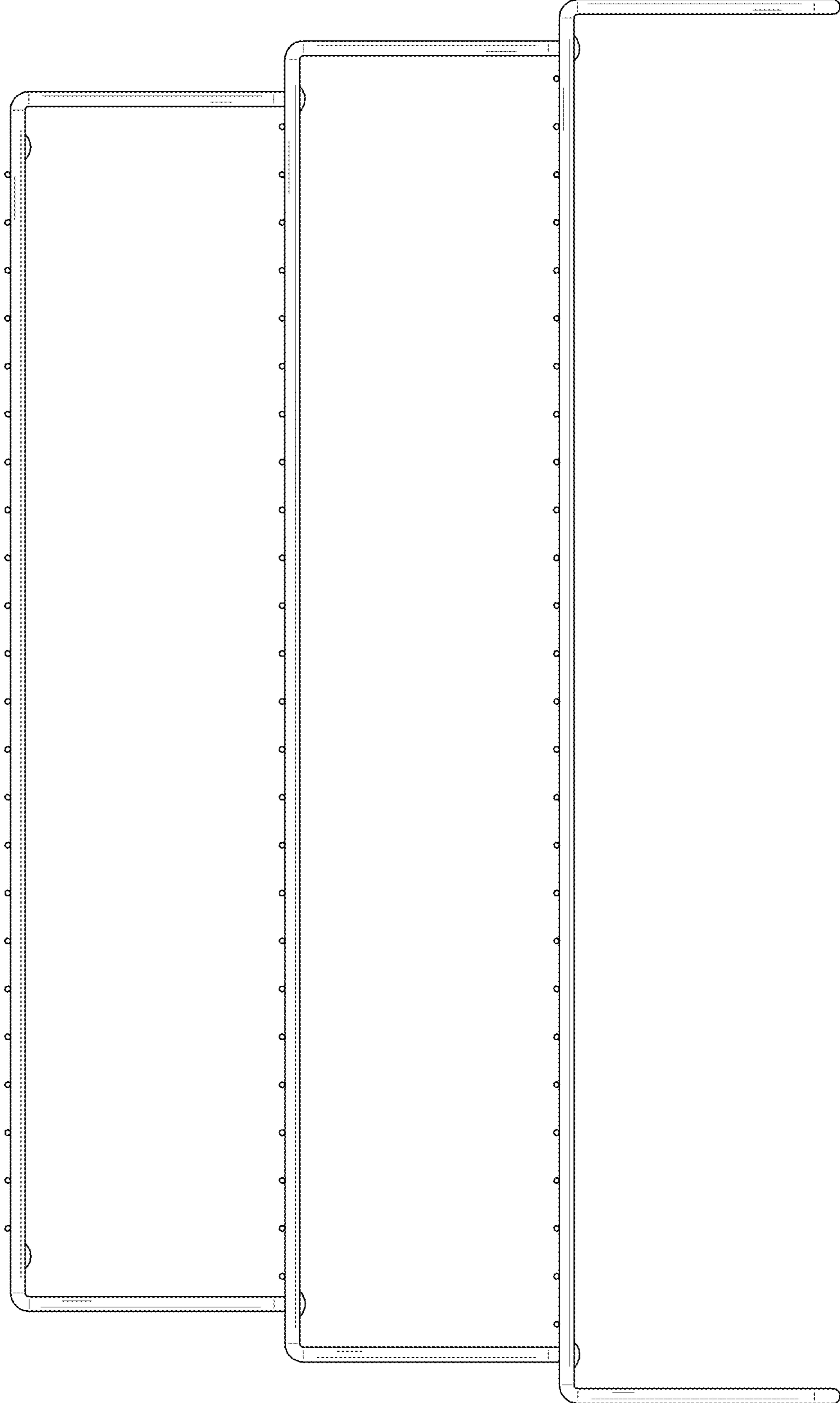


FIG. 3



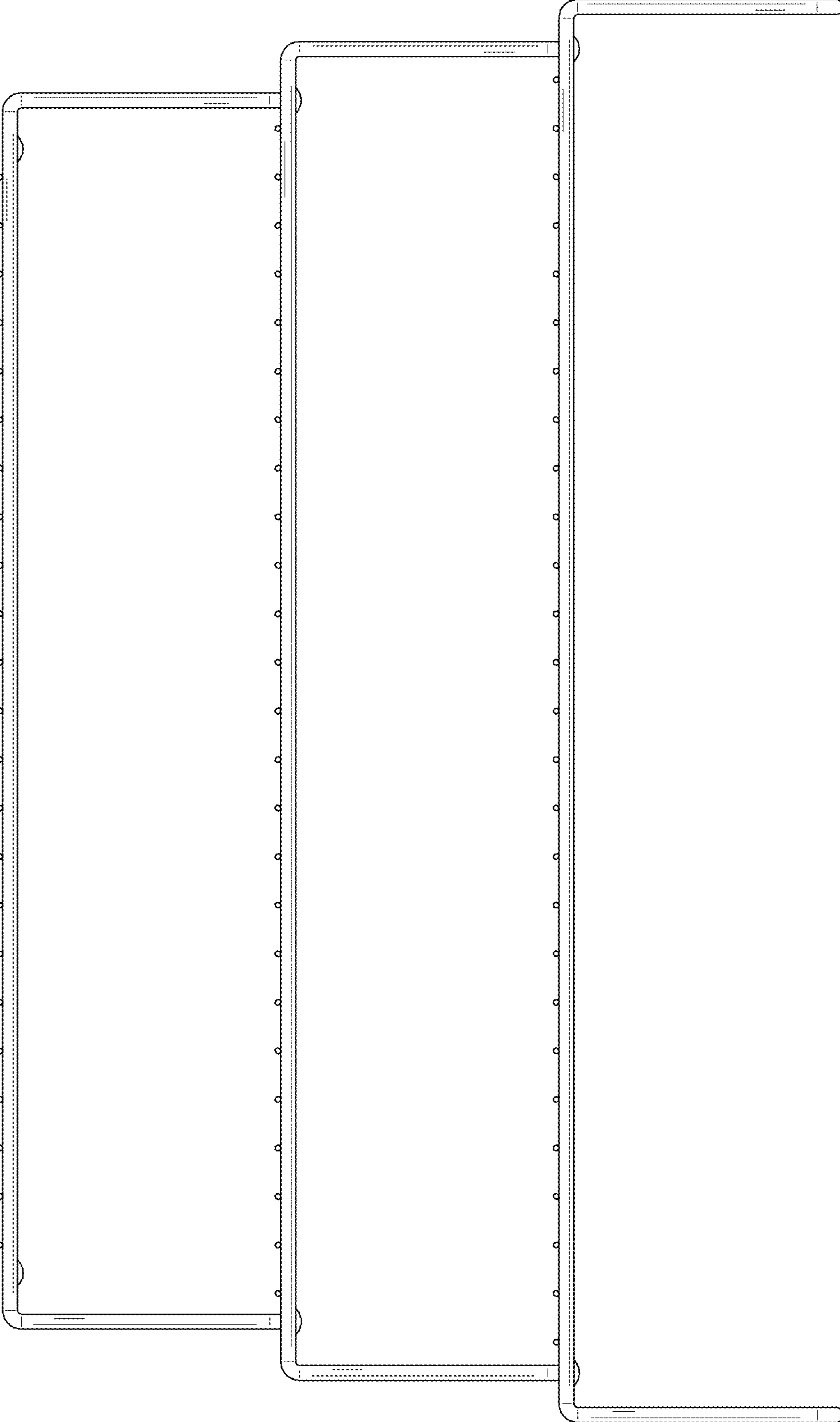


FIG. 4

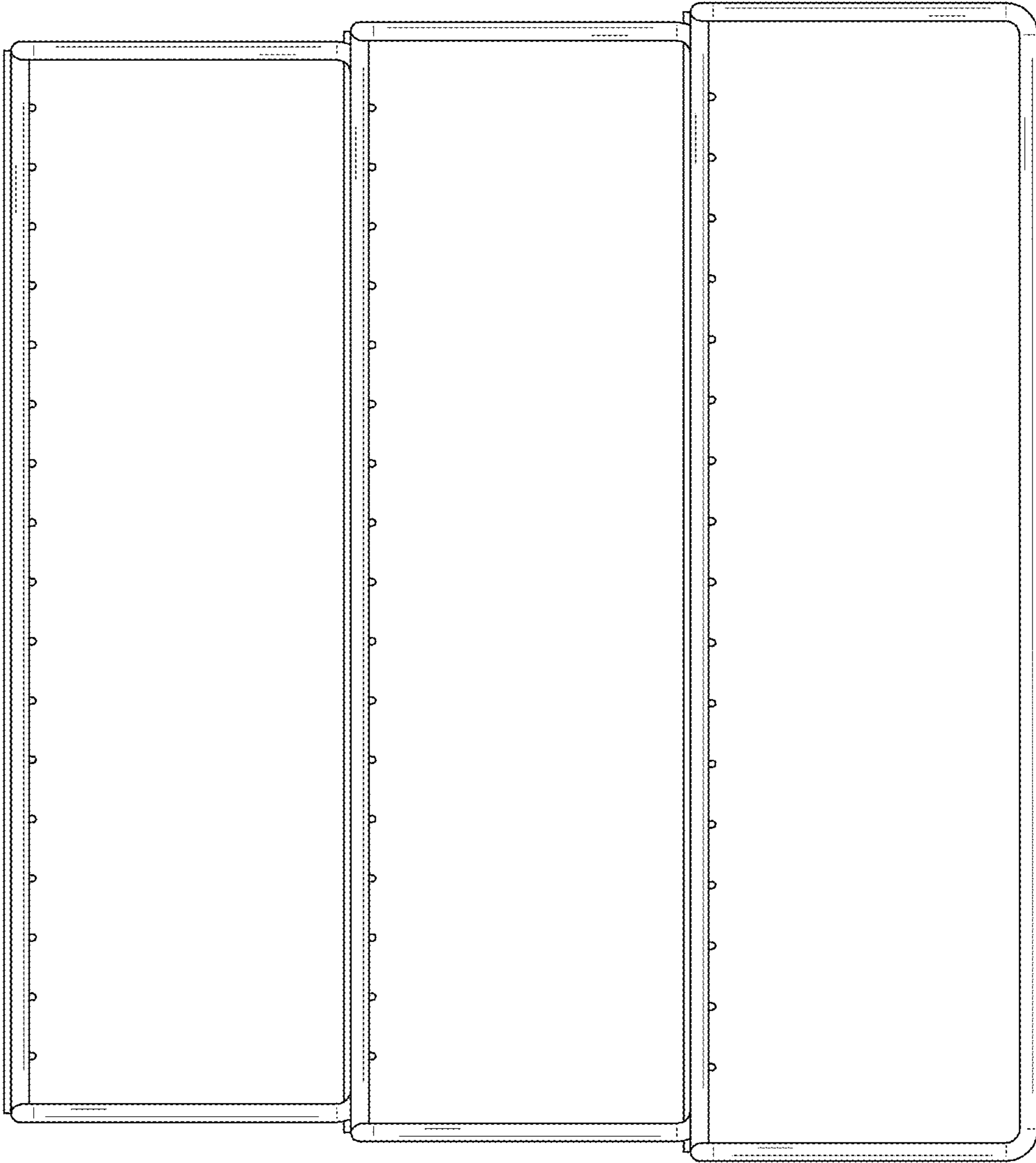


FIG. 5

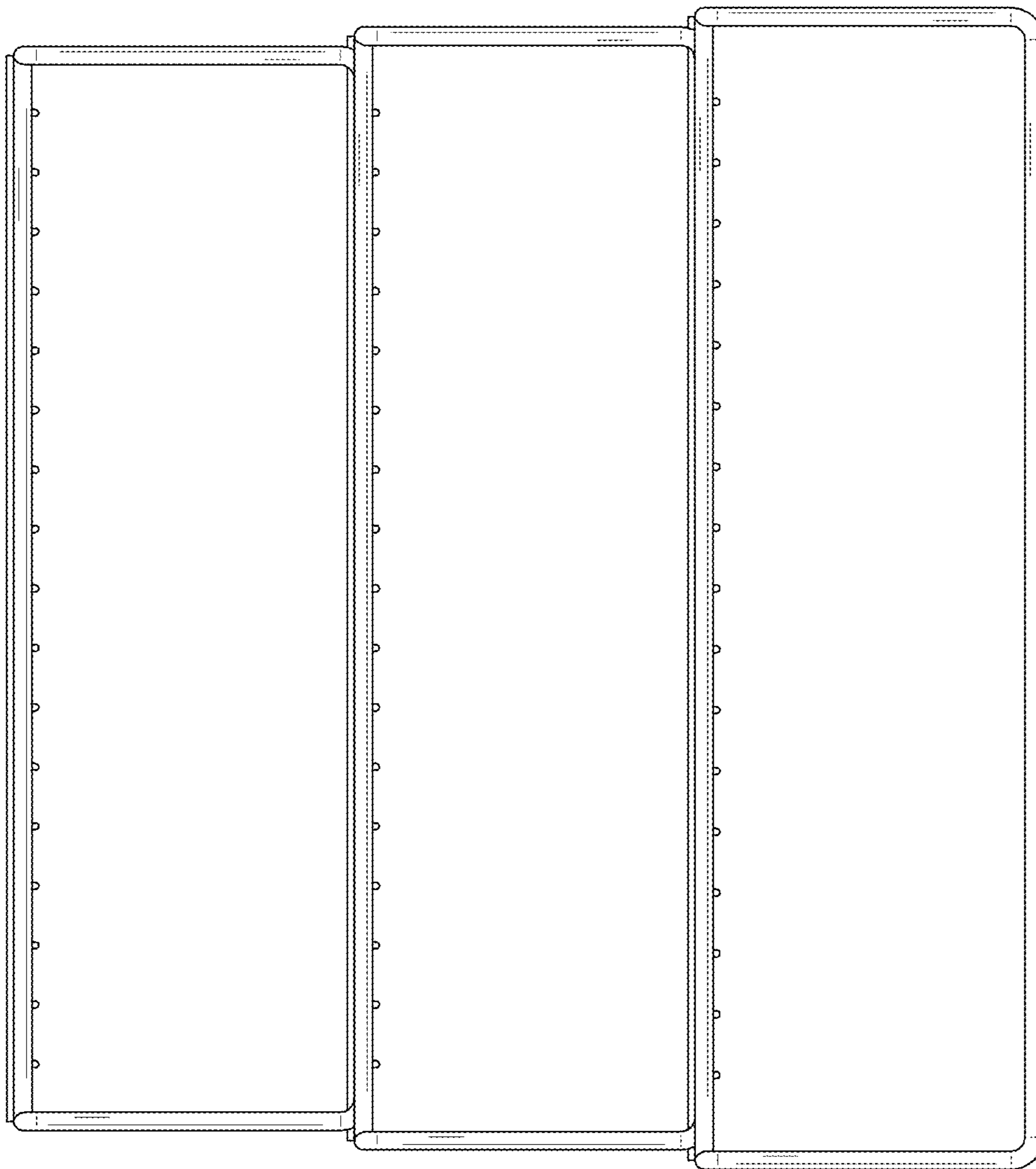


FIG. 6

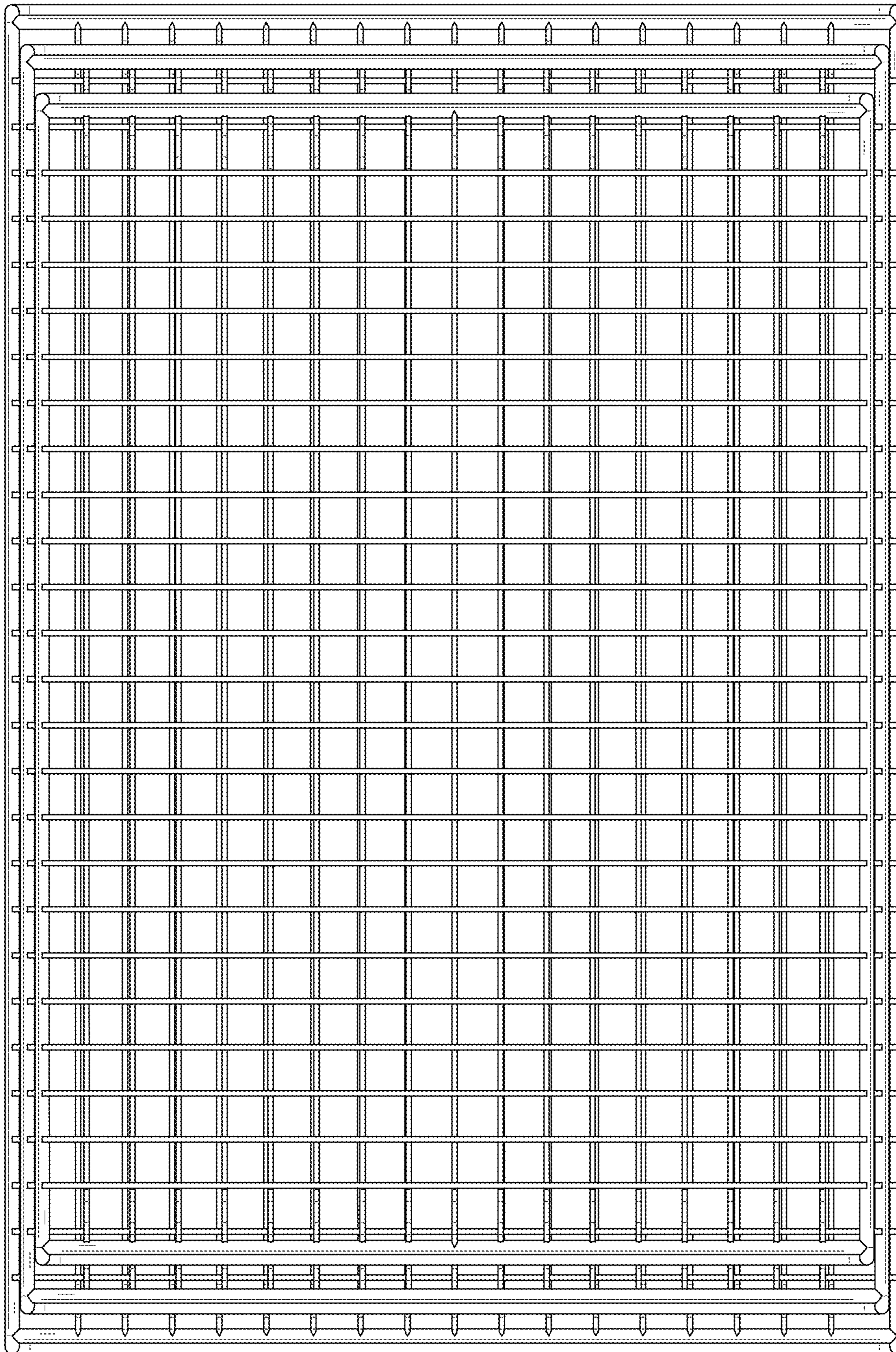


FIG. 7



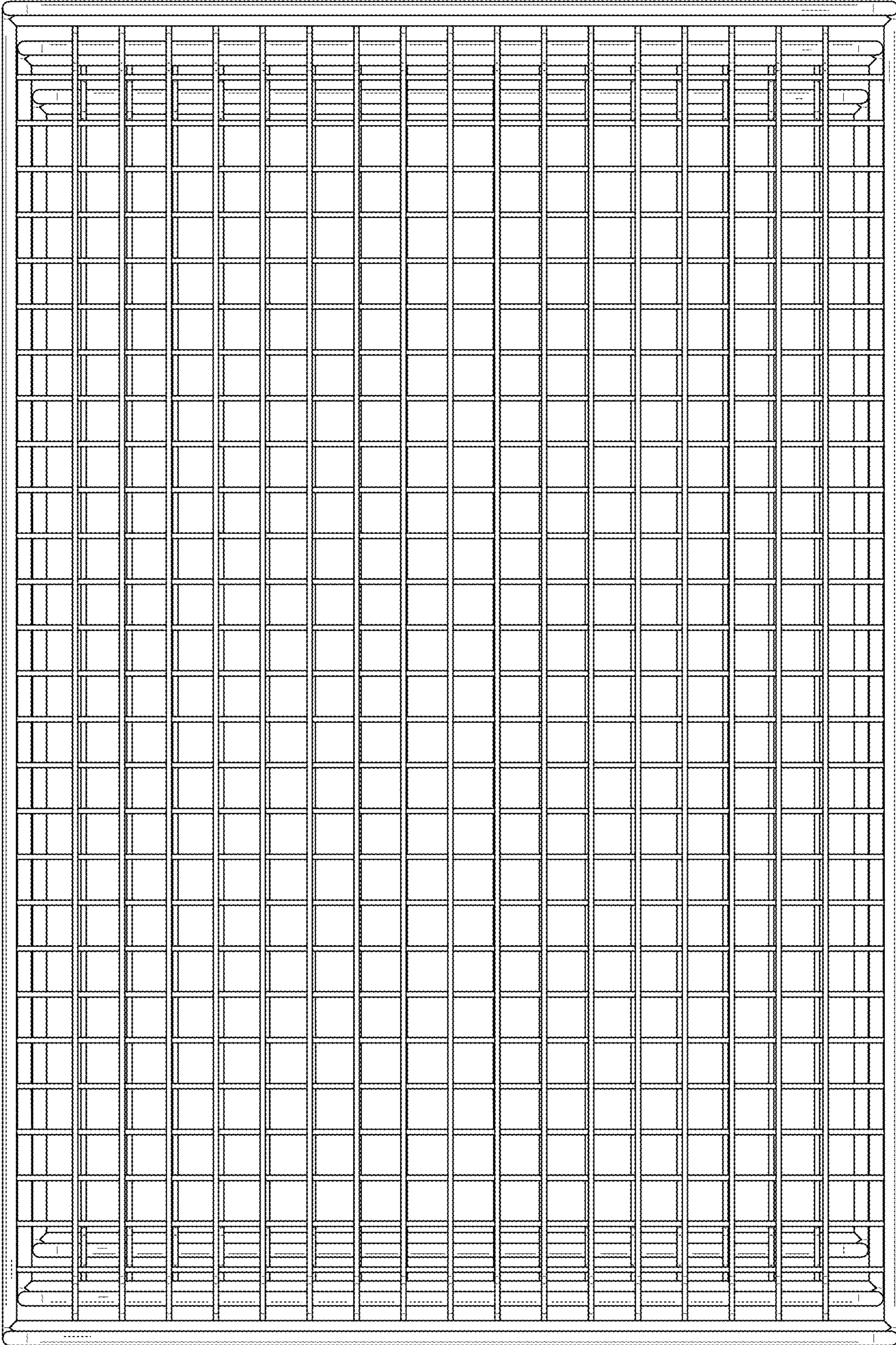


FIG. 8

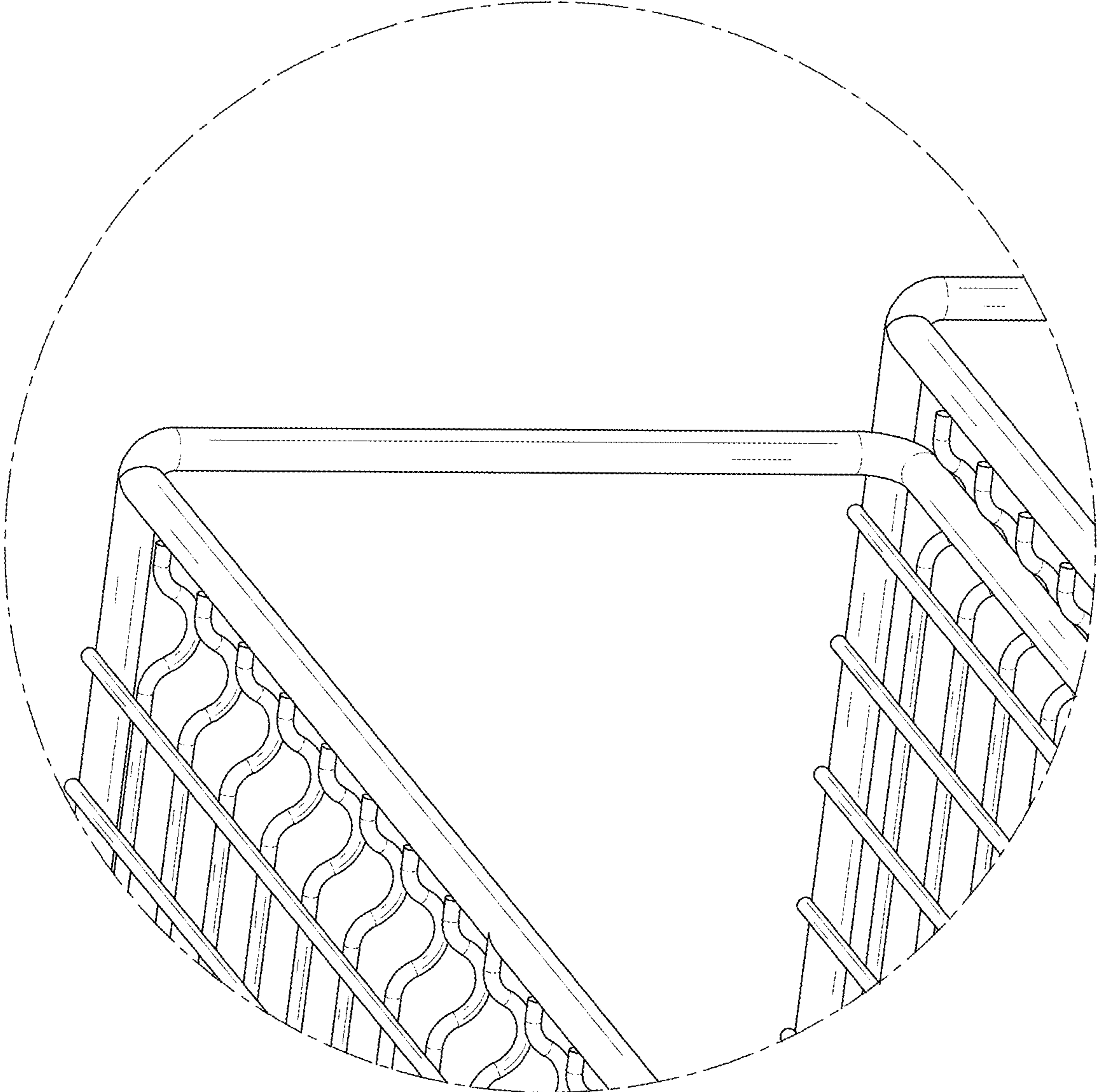


FIG. 9



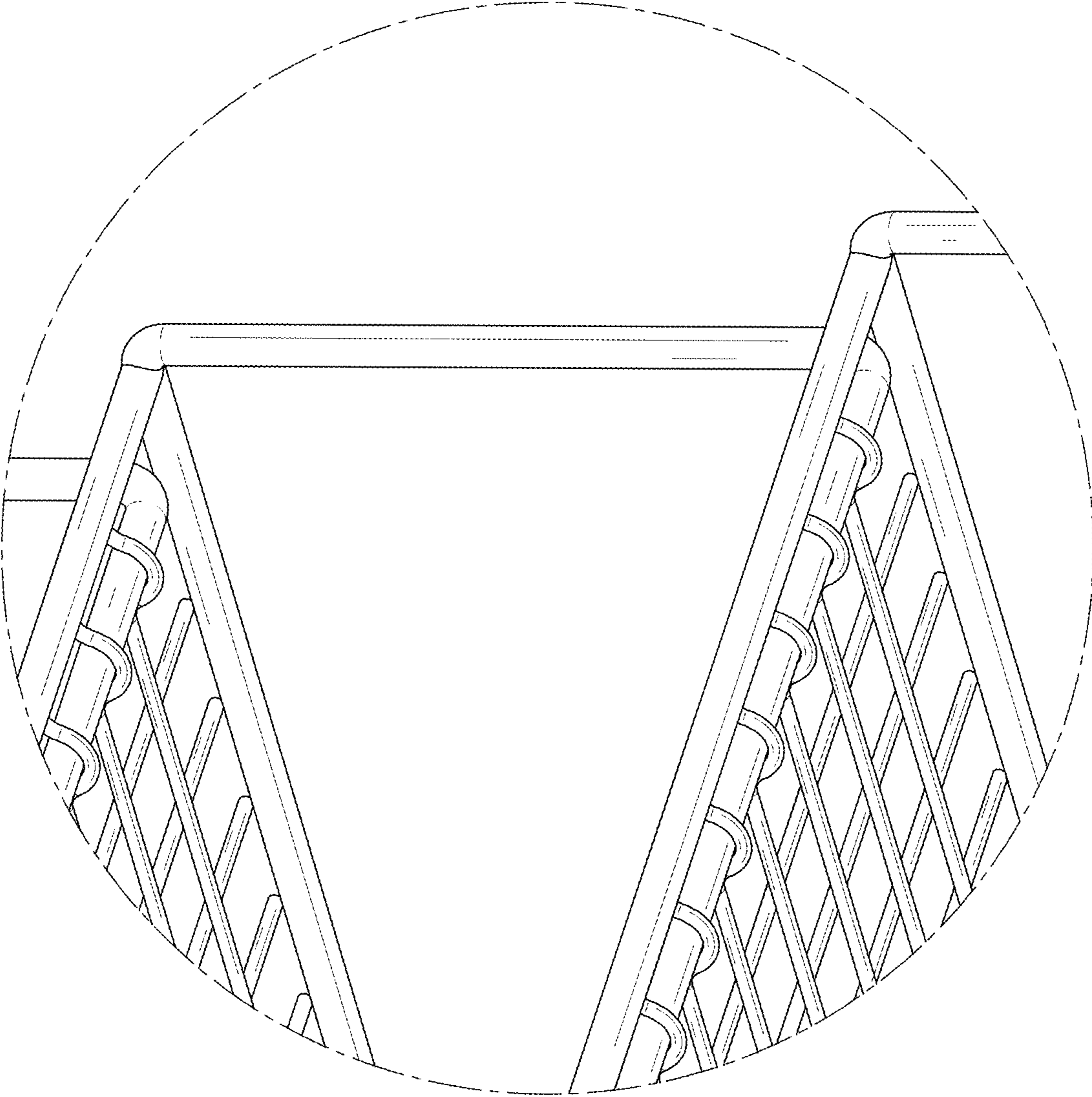


FIG. 10