



US00D976644S

(12) **United States Design Patent** (10) **Patent No.:** **US D976,644 S**  
**Brod** (45) **Date of Patent:** **\*\* Jan. 31, 2023**

(54) **GRILL BASKET SET WITH REMOVABLE TRAYS**

D635,825 S \* 4/2011 Borovicka ..... D7/409  
D648,175 S \* 11/2011 Zemel ..... D7/354  
D650,226 S \* 12/2011 Walker ..... D7/354  
D653,497 S \* 2/2012 Cloutier ..... D7/354

(Continued)

(71) Applicant: **Levi Brod**, Brooklyn, NJ (US)

(72) Inventor: **Levi Brod**, Brooklyn, NJ (US)

(\*\*) Term: **15 Years**

FOREIGN PATENT DOCUMENTS

KR 301176083.0000 \* 9/2021

(21) Appl. No.: **29/738,464**

(22) Filed: **Jun. 17, 2020**

OTHER PUBLICATIONS

(51) **LOC (14) Cl.** ..... **07-02**

(52) **U.S. Cl.**

USPC ..... **D7/409**; D7/354; D7/359; D7/360

(58) **Field of Classification Search**

USPC ..... D7/323, 332, 335, 336, 337, 354, 355,  
D7/359, 360, 361, 362, 363, 364, 387,  
D7/388, 402, 407, 408, 409, 552.1, 554.3;  
D32/3

CPC .... A21B 2/00; A21B 3/00; A21B 3/13; A21B  
3/15; A21B 5/00; A21B 5/02; A23N  
12/06; A23N 12/08; A23N 12/10; A47J  
37/00; A47J 37/04; A47J 37/041; A47J  
37/042; A47J 37/06; A47J 37/0688; A47J  
37/0694; A47J 37/07; A47J 37/0704;  
A47J 37/10; A47J 47/20; A47J 2037/00;  
A47J 2037/06; A47J 2037/0611; A47J  
2037/07; A47J 2037/0786; A47J  
2037/0795; F24C 15/10; F24C 15/12;  
F24C 15/14; F24C 15/16; F24C 15/164;  
F24C 15/18

Grill Basket Set, 6-piece Stainless Steel Vegetable Grill Tray, 16.5"x11" Pan with Cooling Rack For Veggies, Cookies and Meats, Heavy Duty & Easy Clean by Vikeyhome Store Online, Published Apr. 14, 2022, Retrieved on Nov. 17, 2022 from URL:<https://www.amazon.com/6-piece-Stainless-Vegetable-Cool> (Year: 2022).\*

(Continued)

*Primary Examiner* — Jae Liang  
*Assistant Examiner* — Royner Mendoza

(57) **CLAIM**

I claim the ornamental design for a grill basket set with removable trays, as shown and described.

**DESCRIPTION**

FIG. 1 is an elevated perspective view for a grill basket set with removable trays;  
FIG. 2 is a top view thereof;  
FIG. 3 is a bottom view thereof;  
FIG. 4 is a left side view thereof;  
FIG. 5 is a right side view thereof;  
FIG. 6 is a front view thereof;  
FIG. 7 is a back view thereof;  
FIG. 8 is an elevated perspective disassembled view thereof; and,  
FIG. 9 is a top disassembled view.  
The broken lines shown in the drawings depict unclaimed logo that form no part of the claimed design.

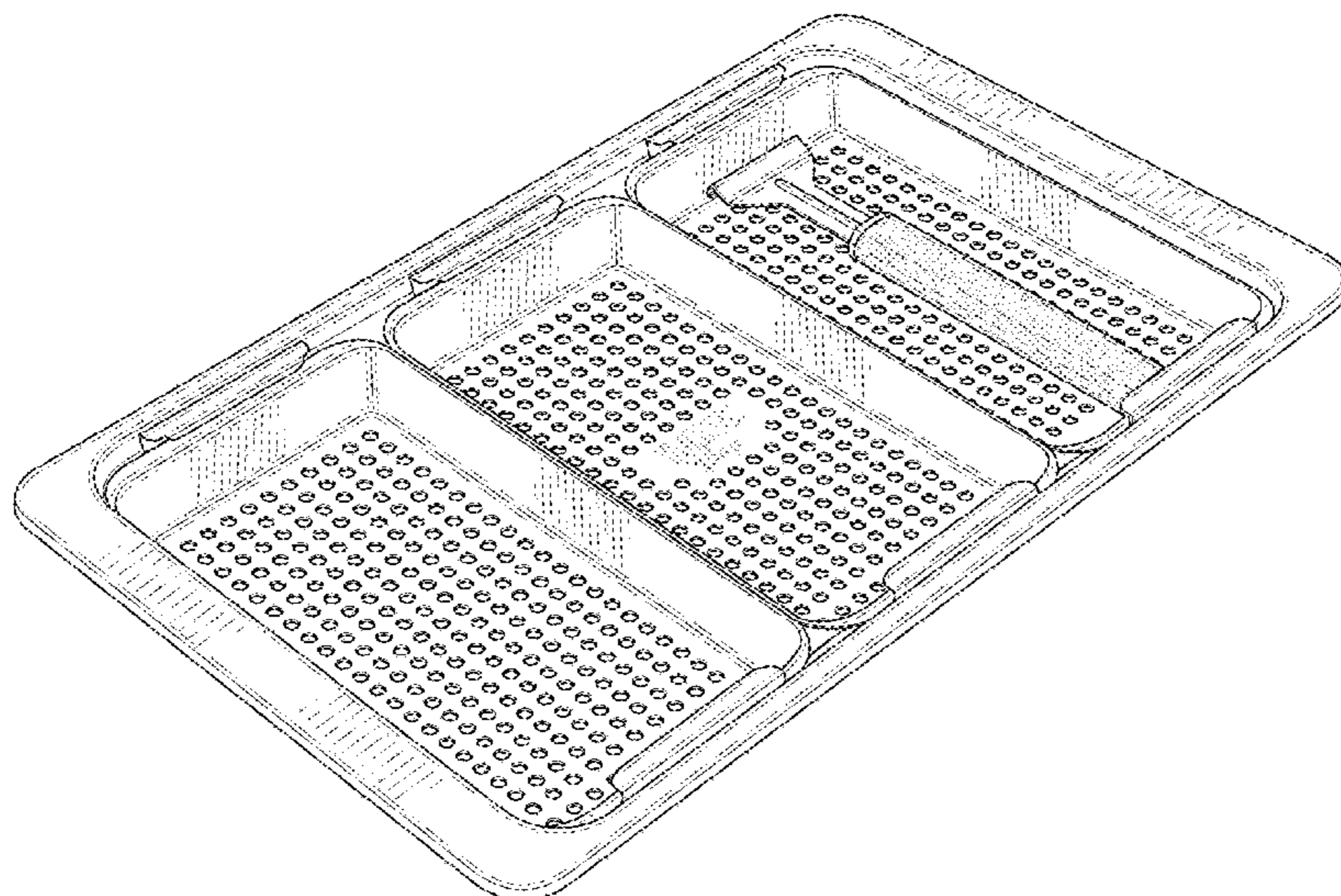
See application file for complete search history.

(56) **References Cited**

U.S. PATENT DOCUMENTS

4,291,616 A \* 9/1981 Taylor ..... A47J 37/108  
D7/355  
D417,124 S \* 11/1999 Chen ..... 99/421 H  
7,340,994 B2 \* 3/2008 Bruno ..... A47J 37/067  
99/426  
D567,022 S \* 4/2008 Spangrud ..... D7/409

**1 Claim, 7 Drawing Sheets**



(56)

**References Cited**

U.S. PATENT DOCUMENTS

D658,427 S *	5/2012	Cloutier .....	D7/360
D658,942 S *	5/2012	Borovicka .....	D7/409
D725,851 S *	3/2015	Lee .....	D32/3
D761,614 S *	7/2016	Zemel .....	D7/354
D790,926 S *	7/2017	Jones .....	B65D 1/36
			D7/357
D804,235 S *	12/2017	Affatato .....	D7/354
D809,851 S *	2/2018	Sarnoff .....	D7/354
D824,726 S *	8/2018	Gershkow .....	D7/354
D833,207 S *	11/2018	Zemel .....	D7/363
D916,563 S *	4/2021	Dorion .....	D7/409
D922,128 S *	6/2021	Li .....	D7/354
D923,403 S *	6/2021	Seo .....	D7/409
D957,868 S *	7/2022	Zhang .....	D7/359

OTHER PUBLICATIONS

Grill N Serve BBQ Basket Set, BBQ Serving Tray and Patented Clip-On Handle by Yukon Glory Onlne, Published N/A, Retrieved on Nov. 17, 2022 from URL: <https://www.homedepot.com/p/Yukon-Glory-Grill-N-Serve-BBQ-Basket-Set-Includes-3-BBQ-Baskets-Serving-Tray-and-Patented-Clip-On-Handle-YG-777B/315531923> (Year: 2022).\*

\* cited by examiner

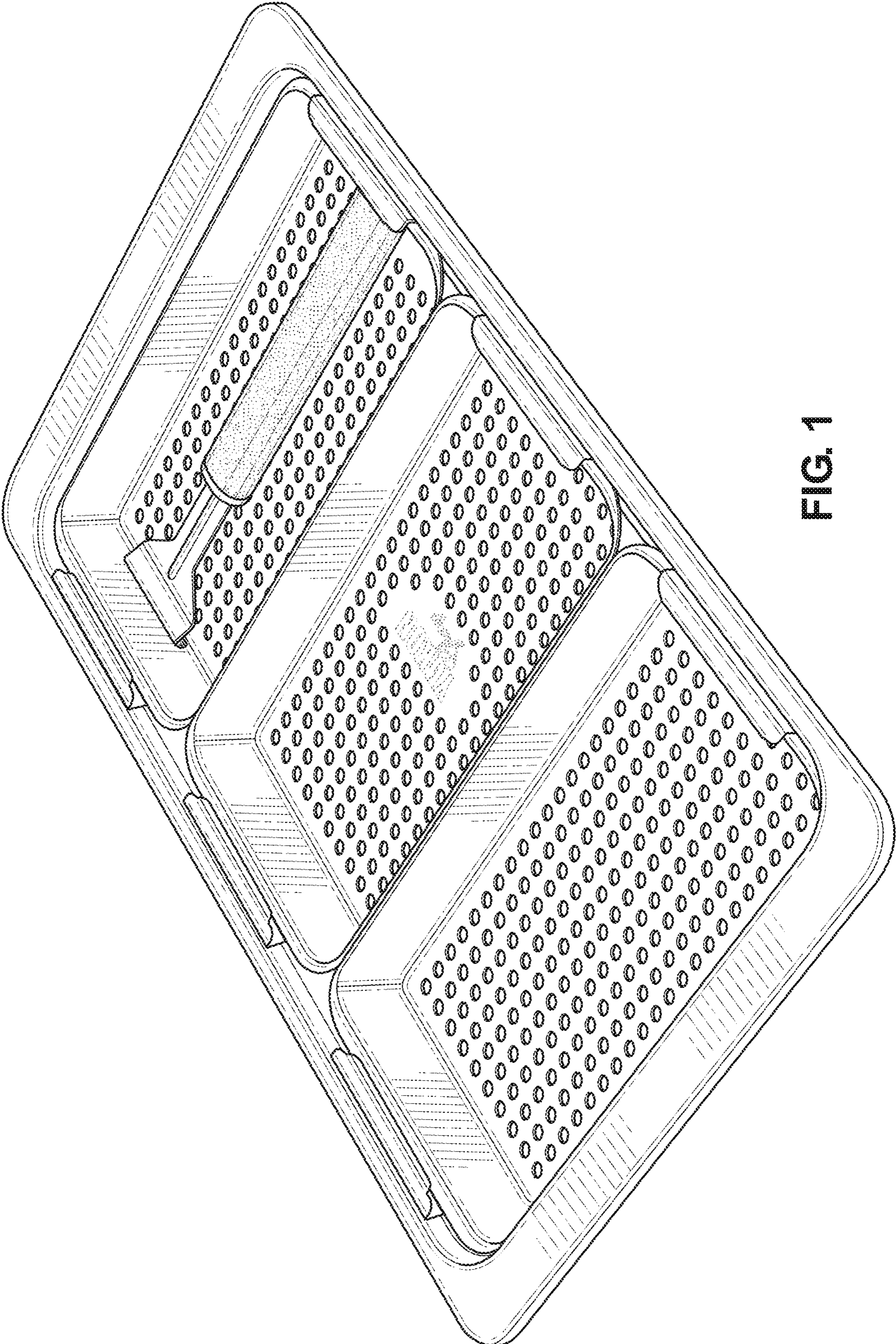


FIG. 1

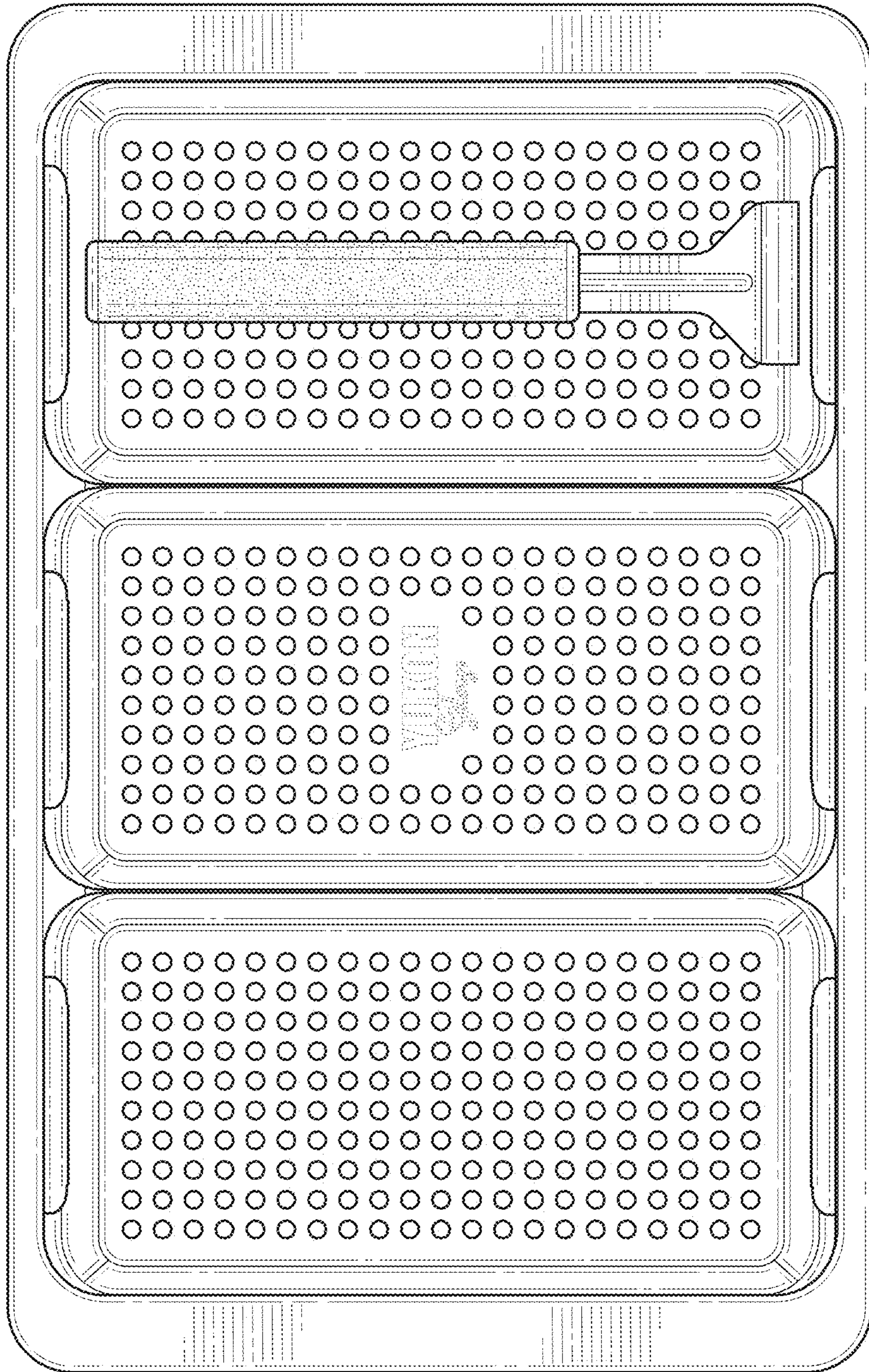


FIG. 2

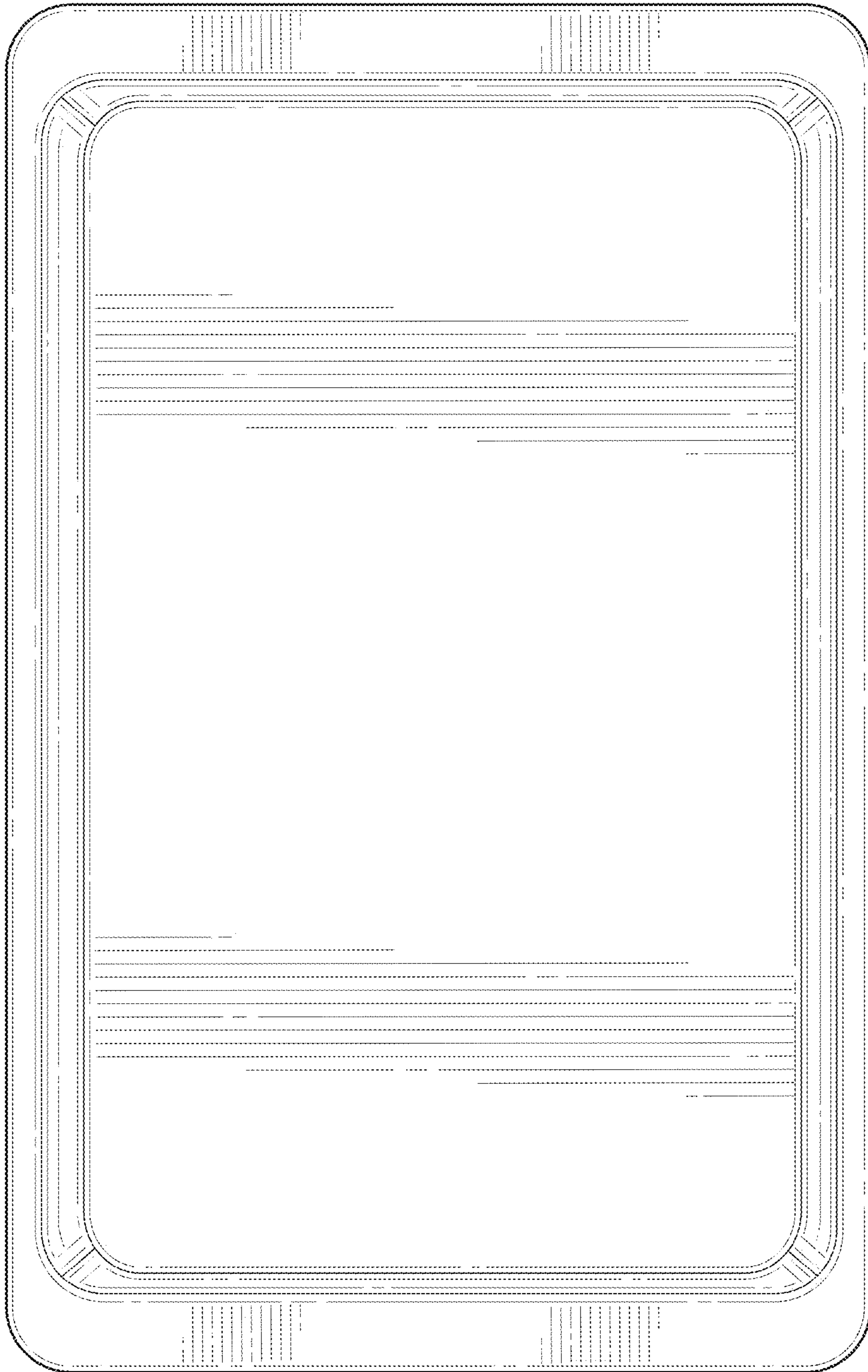


FIG. 3

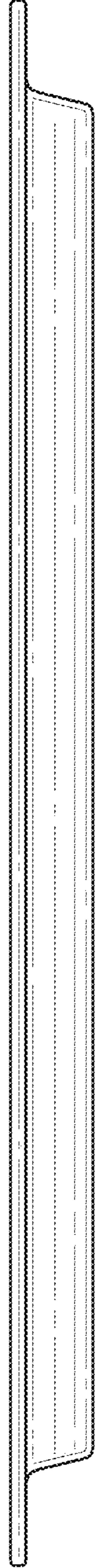


FIG. 4

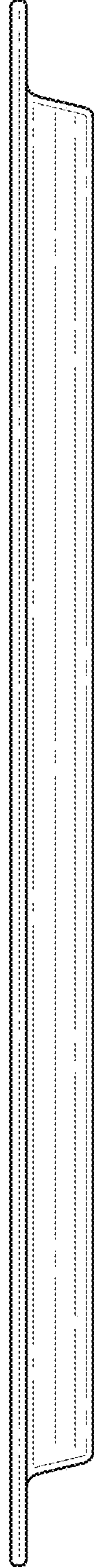


FIG. 5

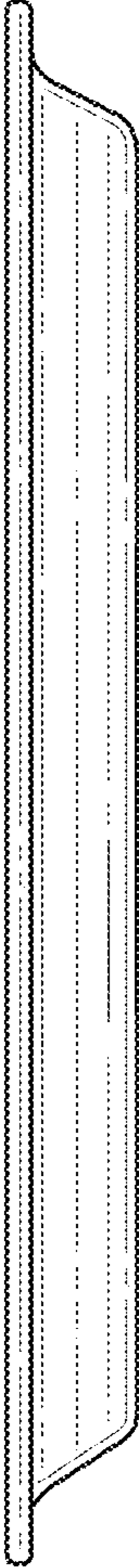


FIG. 6



FIG. 7

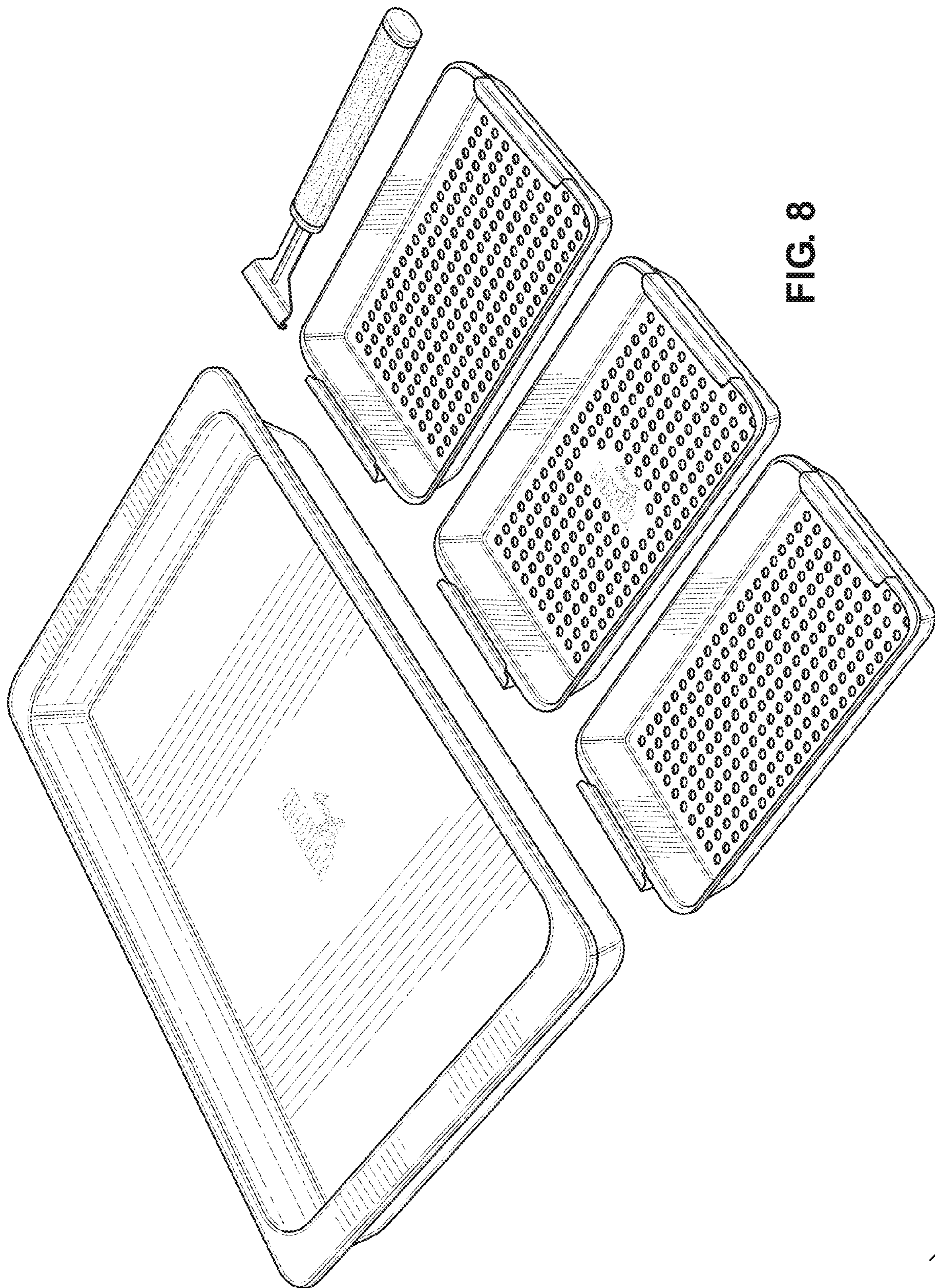


FIG. 8



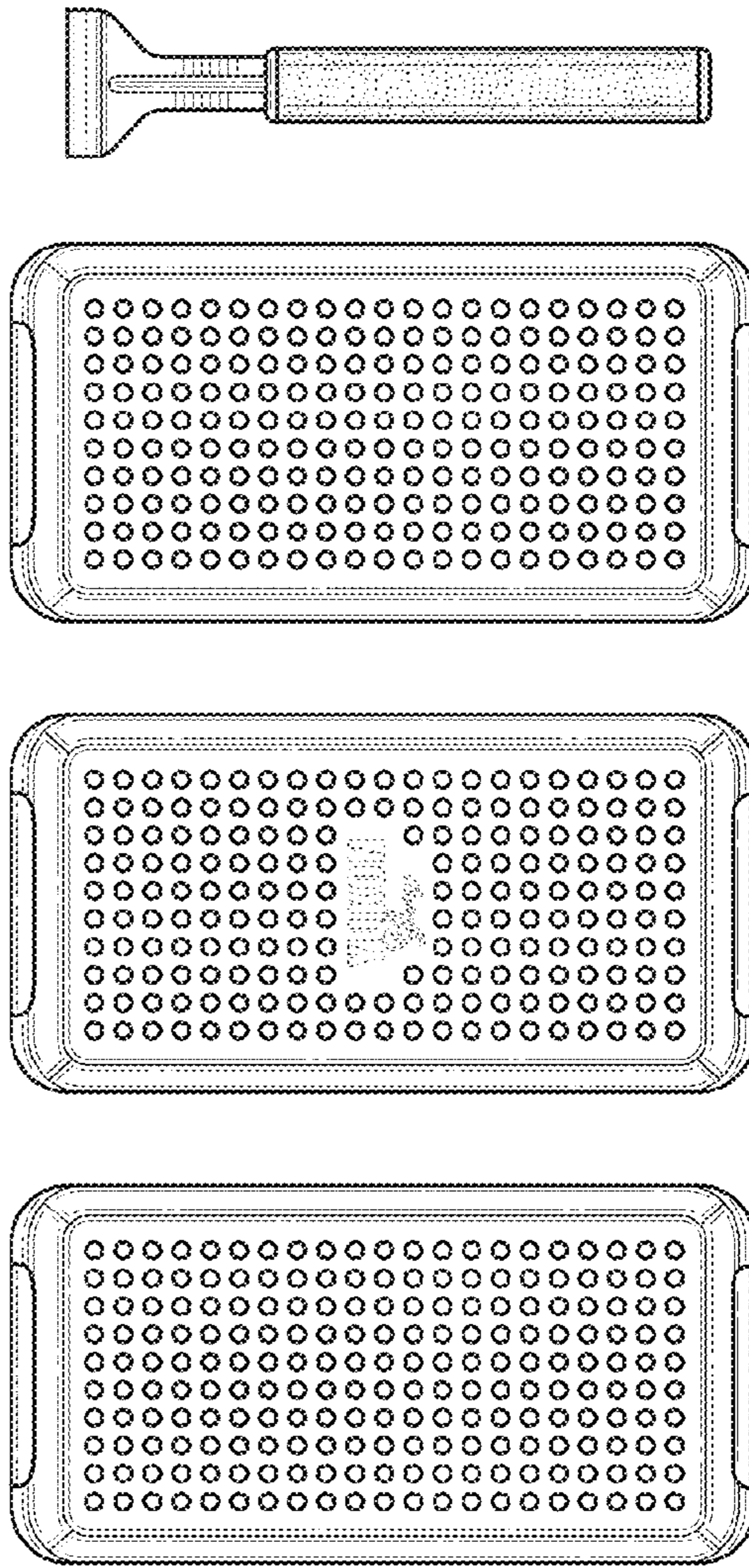
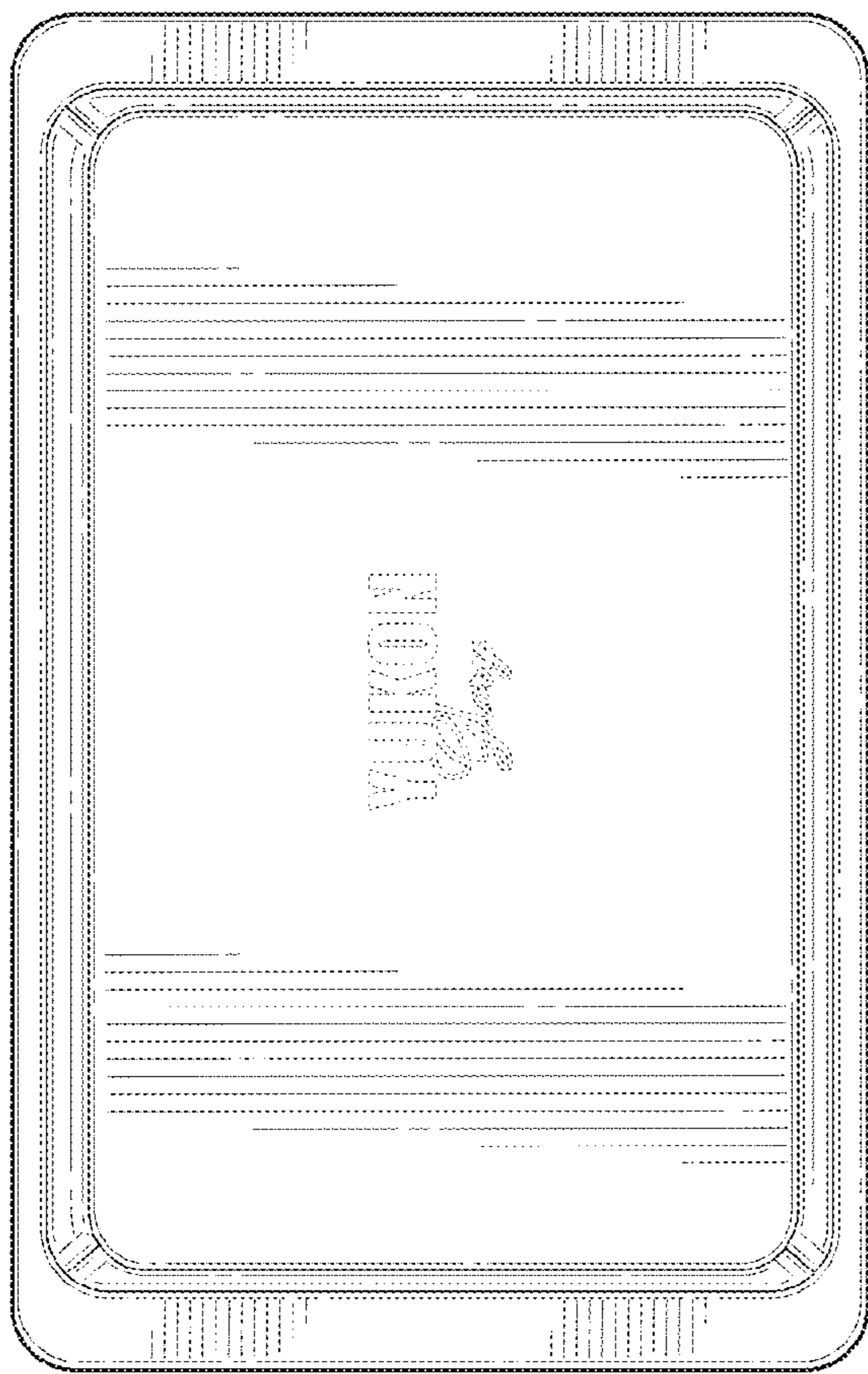


FIG. 9