



US00D976643S

(12) **United States Design Patent**
Olson

(10) **Patent No.:** **US D976,643 S**
(45) **Date of Patent:** **** Jan. 31, 2023**

(54) **HEATER-MOUNTABLE COOKTOP**

(71) Applicant: **Justin Olson**, Valley, NE (US)

(72) Inventor: **Justin Olson**, Valley, NE (US)

(**) Term: **15 Years**

(21) Appl. No.: **29/711,119**

(22) Filed: **Oct. 29, 2019**

(51) **LOC (14) Cl.** **07-02**

(52) **U.S. Cl.**

USPC **D7/409**

(58) **Field of Classification Search**

USPC D7/323, 328–330, 339–349, 390,
D7/402–406; D8/300–306

CPC ... A21B 2/00; A47J 36/26; A47J 37/00; A47J
37/06; A47J 37/0611; A47J 37/0694;
A47J 37/07; A47J 37/0745; A47J 37/08;
A47J 37/0807; A47J 37/0814; A47J
37/0835; A47J 37/0842; A47J 37/085;
A47J 37/0864; A47J 37/0878; A47J
37/0885; A47J 37/0892; F24B 1/202;
F24B 1/205; F24C 5/20; F24C 7/00;
F24C 7/002; F24C 7/046; F24C 7/067;
F24C 15/02; F24C 15/04; F24C 15/10;
F24C 15/102; F24H 3/0411

See application file for complete search history.

(56) **References Cited**

U.S. PATENT DOCUMENTS

1,051,503	A *	1/1913	Klein	A47J 37/0704 126/41 R
1,785,143	A *	12/1930	Conk	F24B 1/205 126/9 R
2,403,134	A *	7/1946	Stephenson	F24B 1/202 126/25 B
2,422,450	A *	6/1947	Van	F24H 3/0411 126/21 R
2,467,480	A *	4/1949	Hudson	A47J 37/07 126/30
3,032,027	A *	5/1962	Poyer	F24B 1/205 126/41 R

(Continued)

OTHER PUBLICATIONS

Mr. Heater Indoor-Safe Portable Propane Radiant Heater. Date Reviewed on Amazon.com Apr. 5, 2018. <https://www.amazon.com/Mr-Heater-F232000-Indoor-Safe-Portable/dp/B002G51BZU/ref=Year:2018>.*

(Continued)

Primary Examiner — Ricky Pham

(74) *Attorney, Agent, or Firm* — Suiter Swantz pc llo

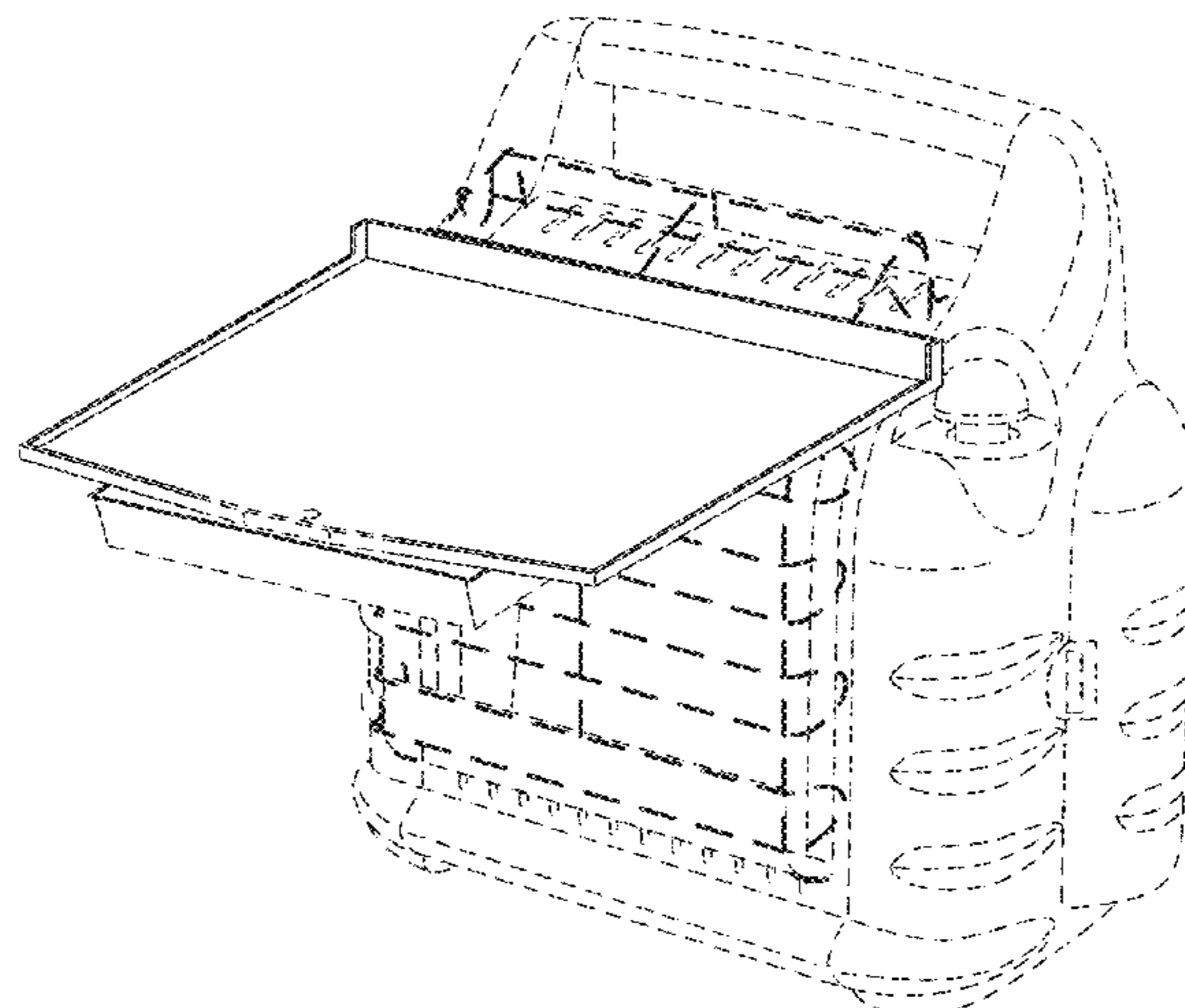
(57) **CLAIM**

The ornamental design for a heater-mountable cooktop, as shown and described.

DESCRIPTION

FIG. 1 is a perspective view of a first embodiment of a heater-mountable cooktop;
FIG. 2 is a top view of a heater-mountable cooktop;
FIG. 3 is a side view of a heater-mountable cooktop;
FIG. 4 is a side view of a heater-mountable cooktop;
FIG. 5 is a front view of a heater-mountable cooktop;
FIG. 6 is a rear view of a heater-mountable cooktop;
FIG. 7 is a front view of a heater-mountable cooktop;
FIG. 8 is a rear view of a heater-mountable cooktop;
FIG. 9 is a perspective view of a second embodiment of a heater-mountable cooktop;
FIG. 10 is a top view of a heater-mountable cooktop;
FIG. 11 is a side view of a heater-mountable cooktop;
FIG. 12 is a side view of a heater-mountable cooktop;
FIG. 13 is a front view of a heater-mountable cooktop;
FIG. 14 is a rear view of a heater-mountable cooktop;
FIG. 15 is a front view of a heater-mountable cooktop; and,
FIG. 16 is a rear view of a heater-mountable cooktop.
The broken lines illustrate portions of the heater-mounted cooktop that form no part of the claimed design.

1 Claim, 8 Drawing Sheets



(56)

References Cited

U.S. PATENT DOCUMENTS

3,085,350 A 4/1963 Waters
3,124,057 A * 3/1964 Kiser A47J 37/0745
126/25 R
3,280,813 A * 10/1966 Schaezner F24C 5/20
126/4
8,304,700 B1 * 11/2012 Eilers A47J 37/0694
392/347
10,327,586 B2 * 6/2019 Beerens A47J 36/26
2017/0254544 A1 9/2017 Beerens et al.

OTHER PUBLICATIONS

YouTube, <https://www.youtube.com/watch?v=N9aua5ME48>, "Cooking on a Portable Buddy Heater!!", Mar. 4, 2017.

Youtube, <https://www.youtube.com/watch?v=eYN5JjhBc5c>, "Ice Fishing Tip/Hack: Cook Food on a Mr. Buddy Heater Ice Fishing", Jan. 28, 2018.

* cited by examiner

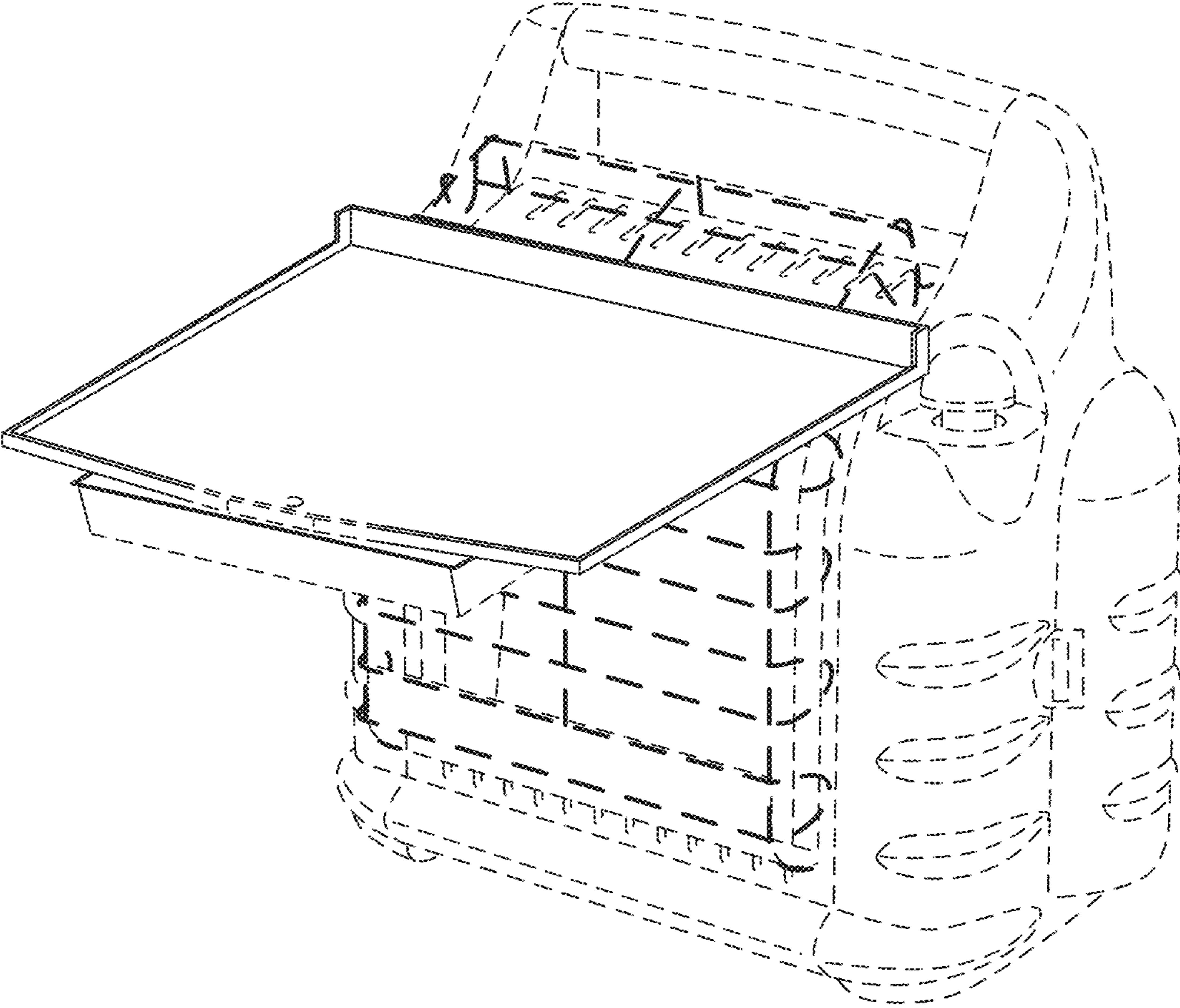


FIG. 1

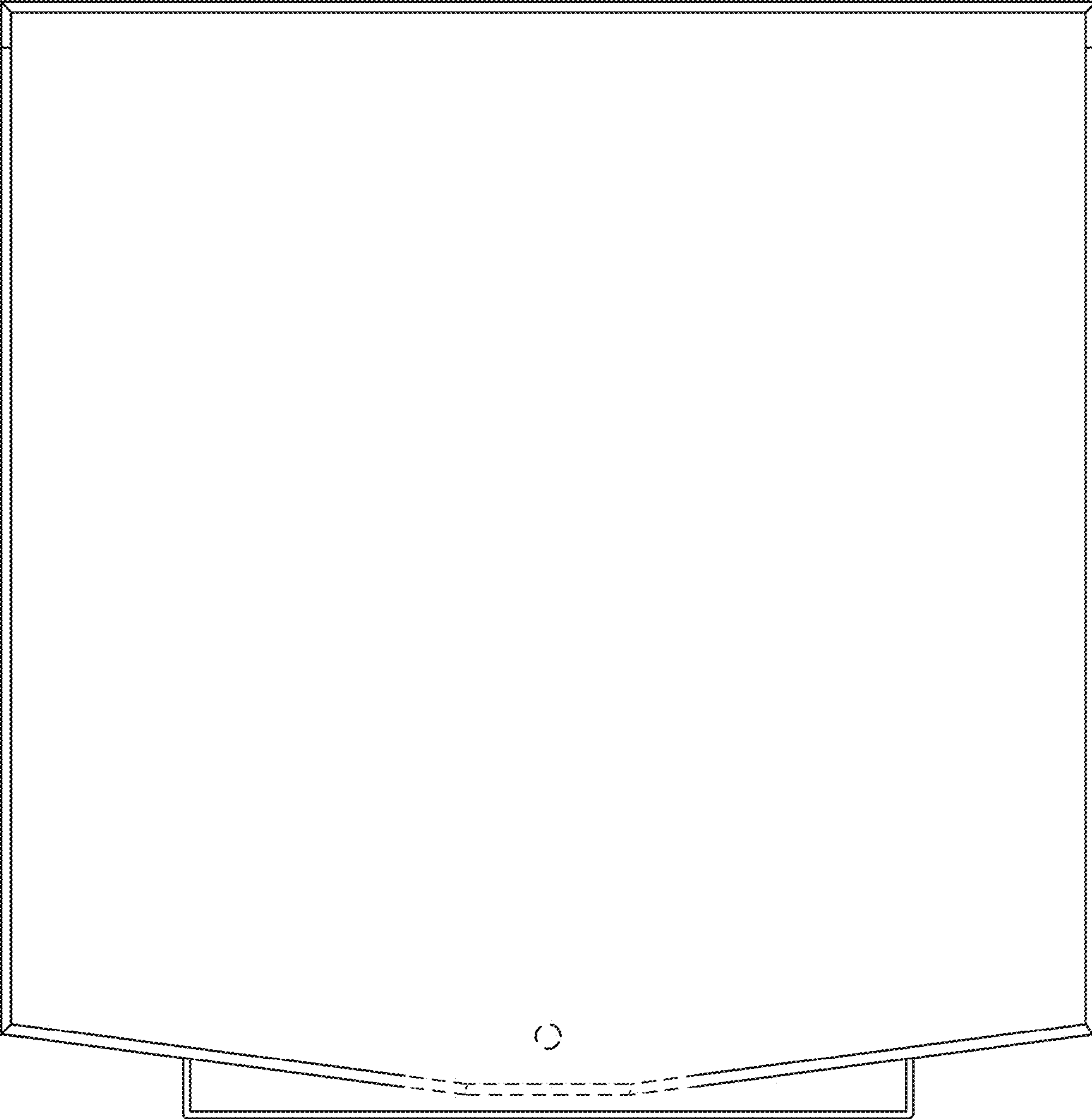


FIG. 2

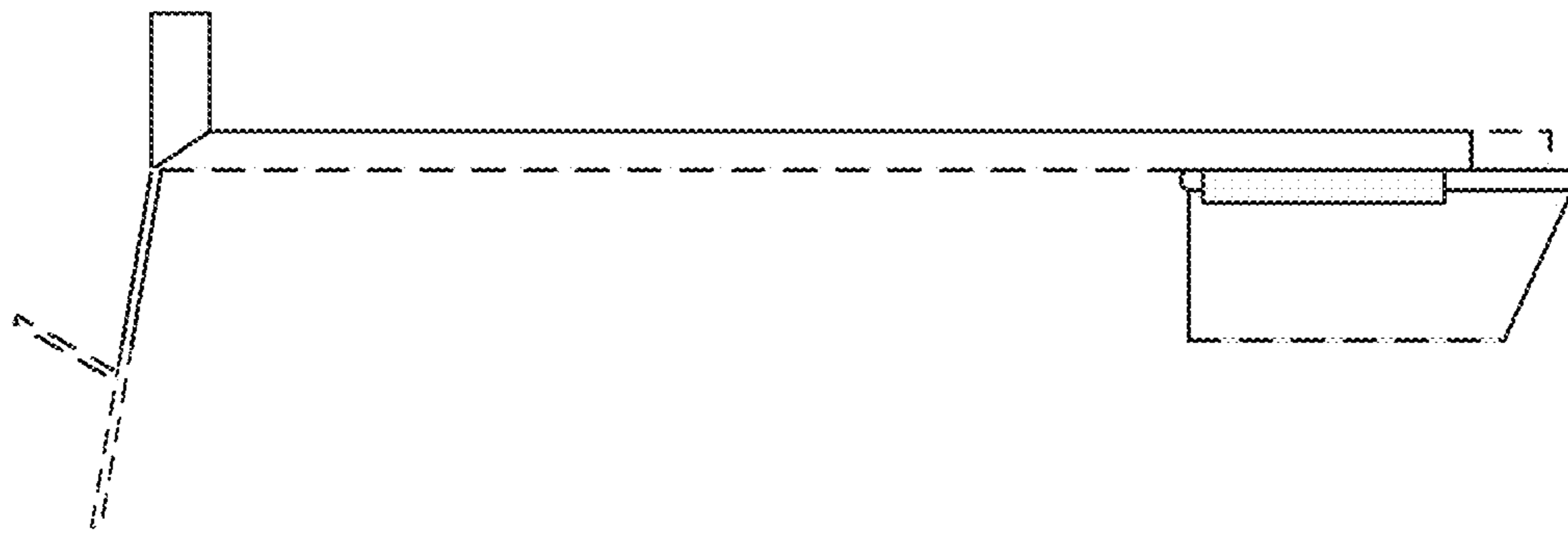


FIG. 3

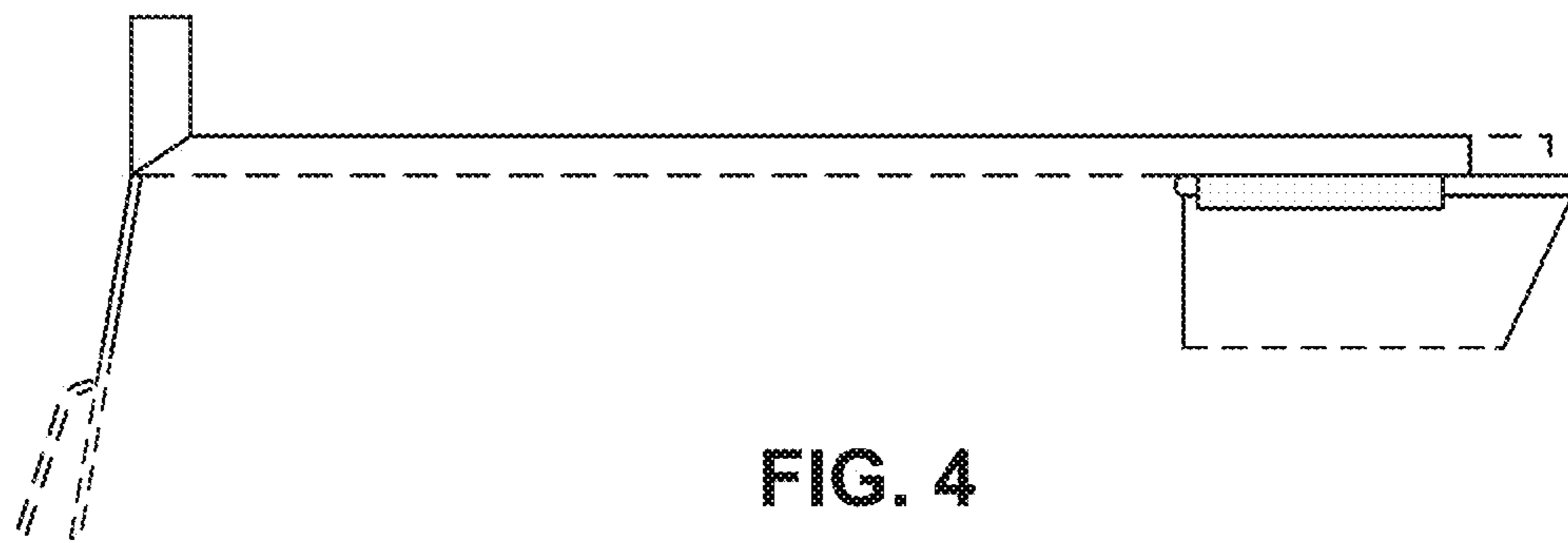


FIG. 4

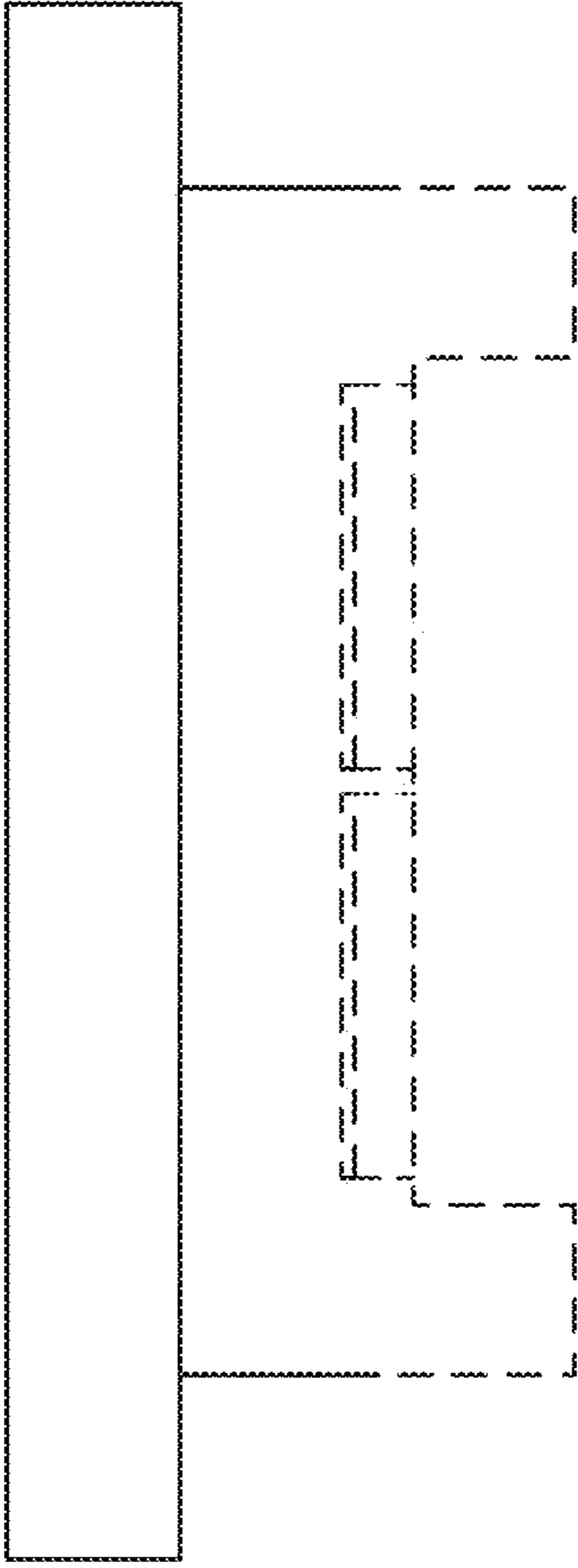


FIG. 5

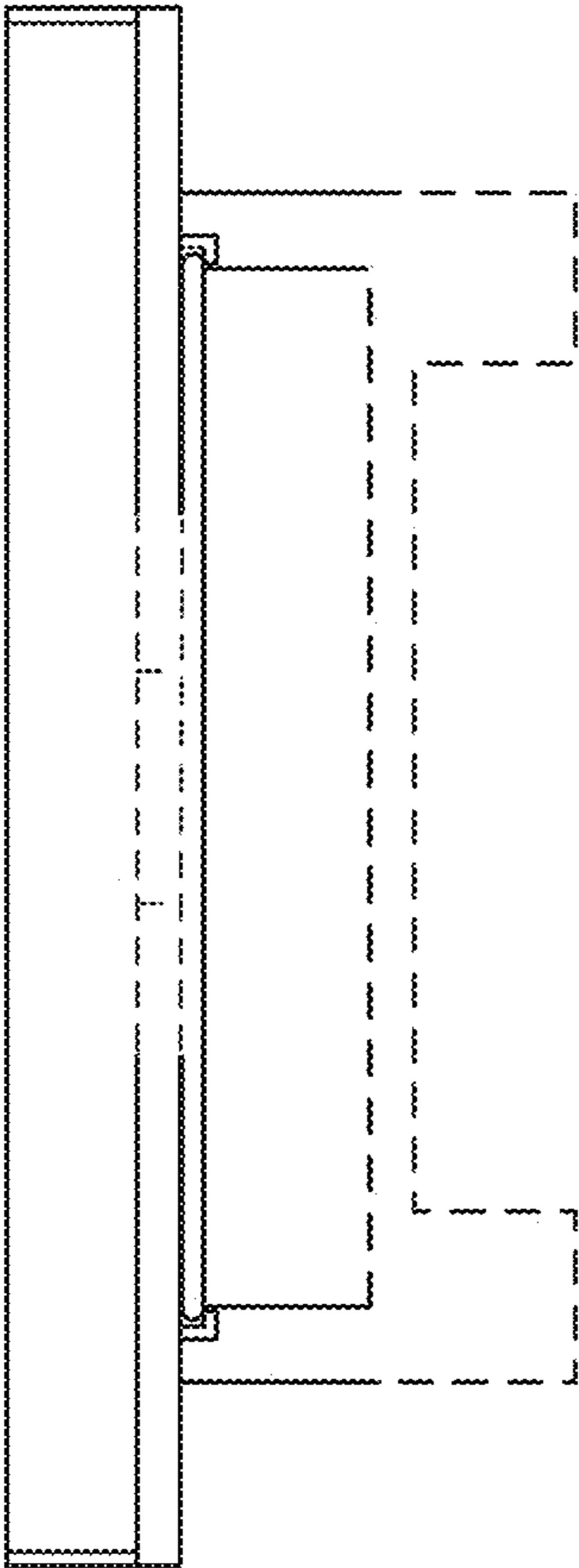


FIG. 6

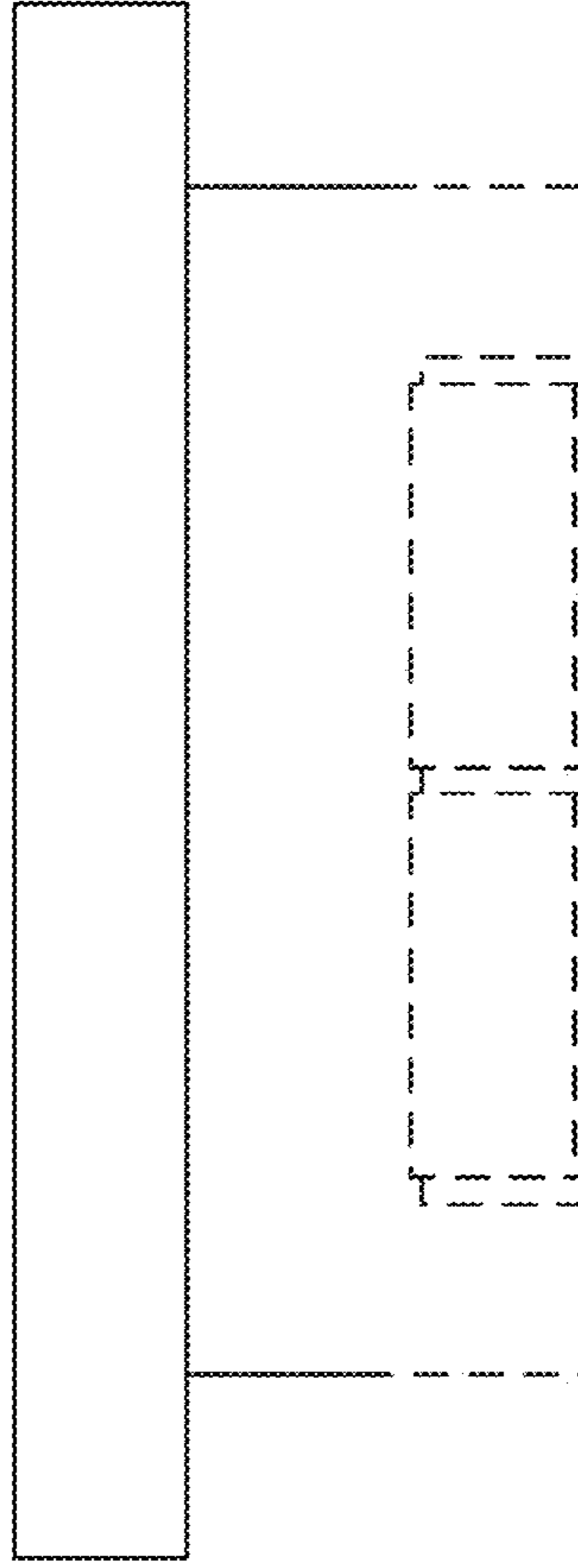


FIG. 7

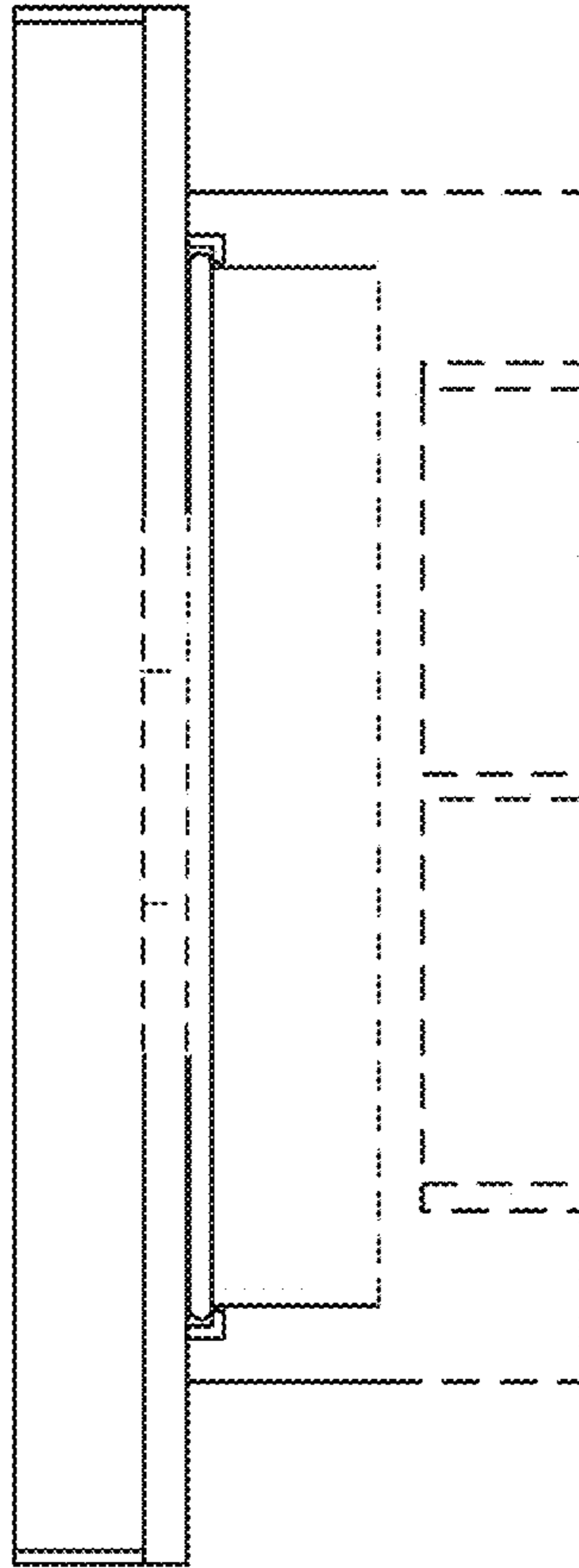


FIG. 8

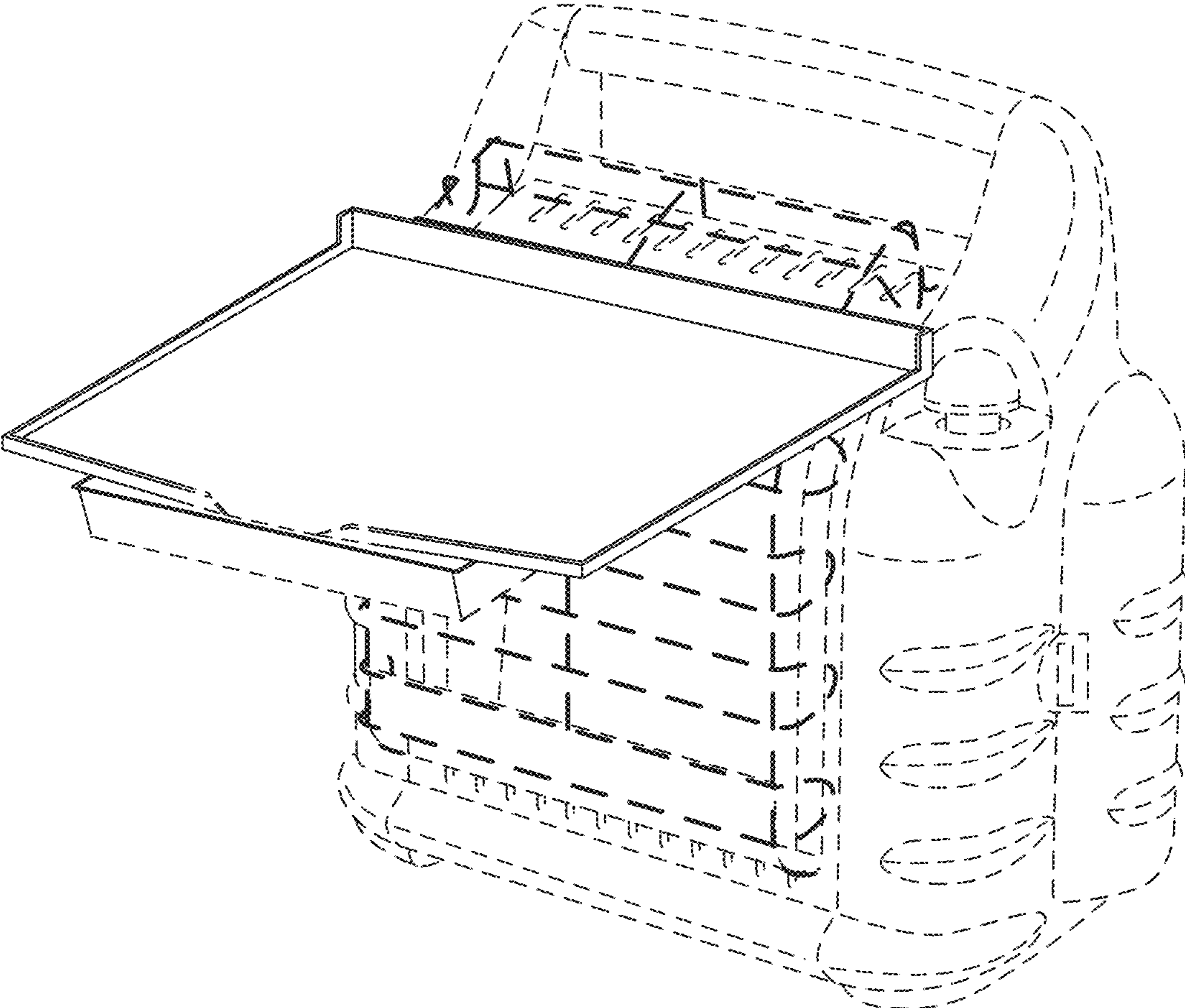


FIG. 9

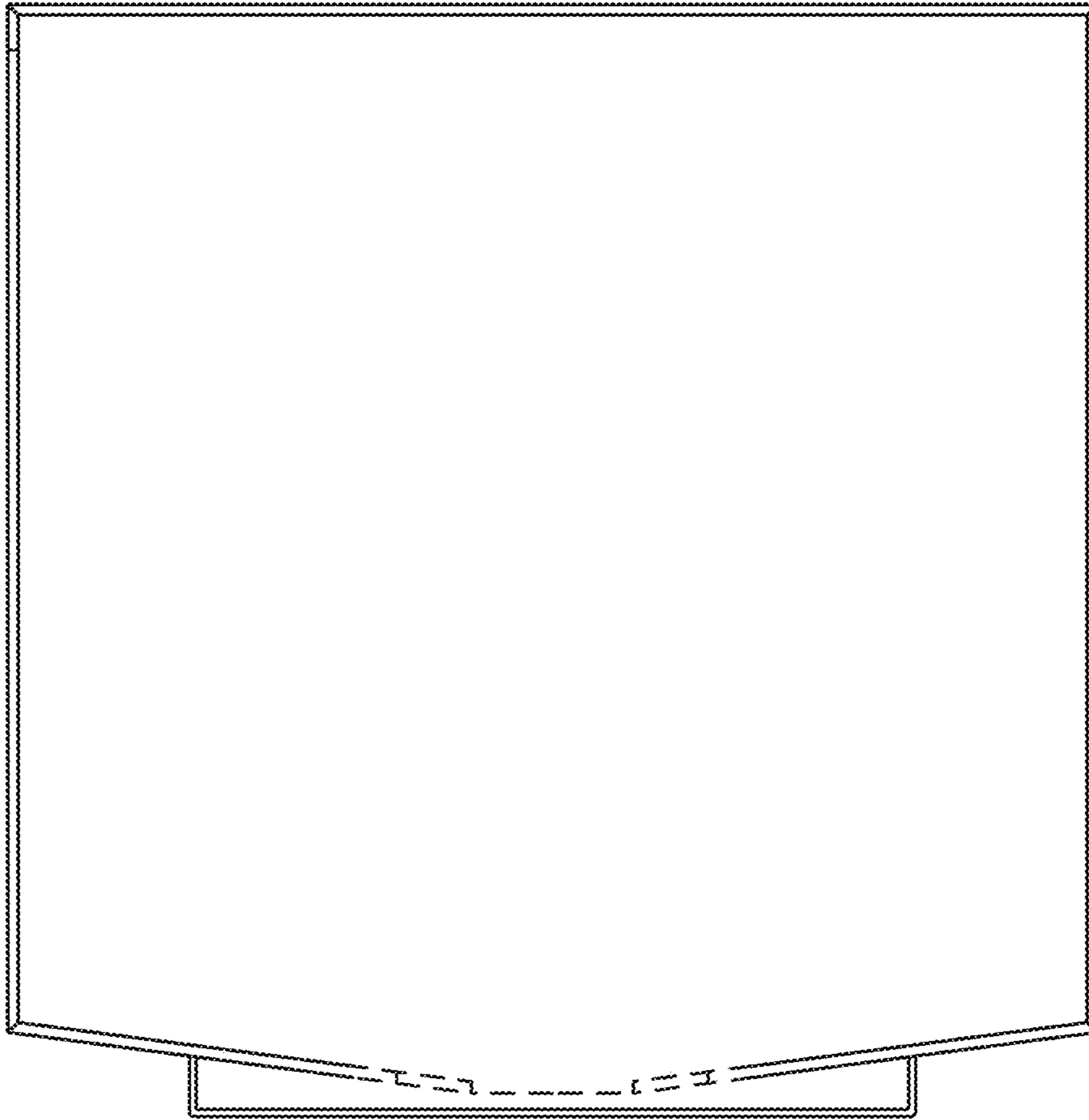


FIG.10

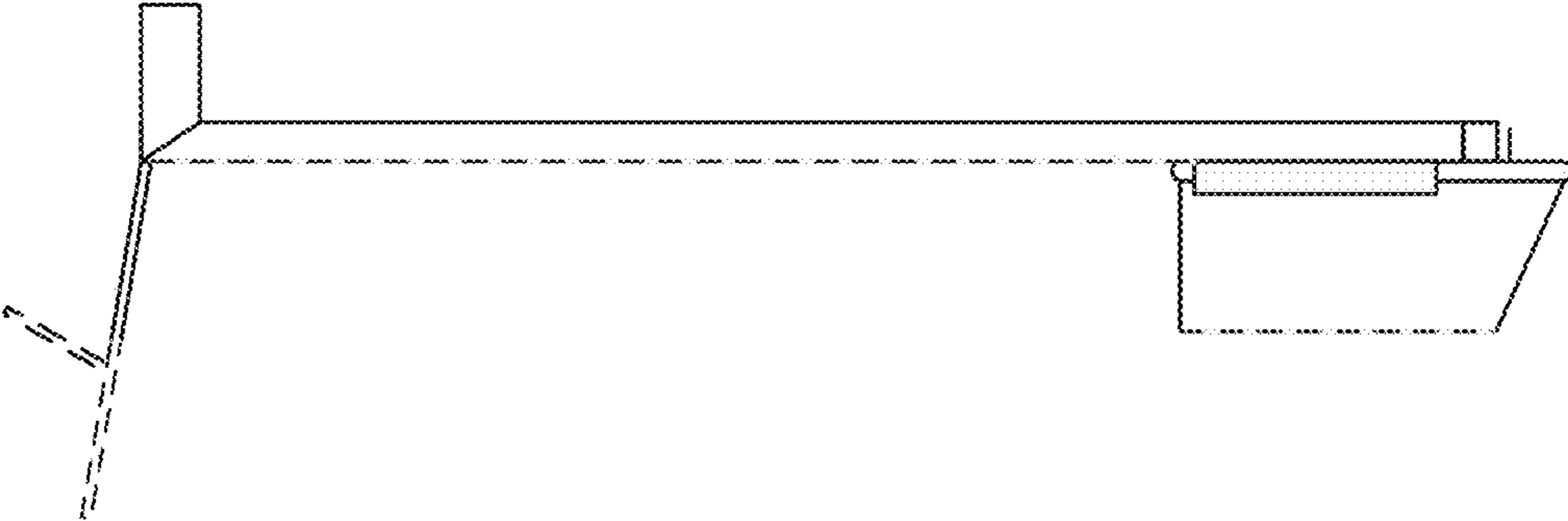


FIG. 11

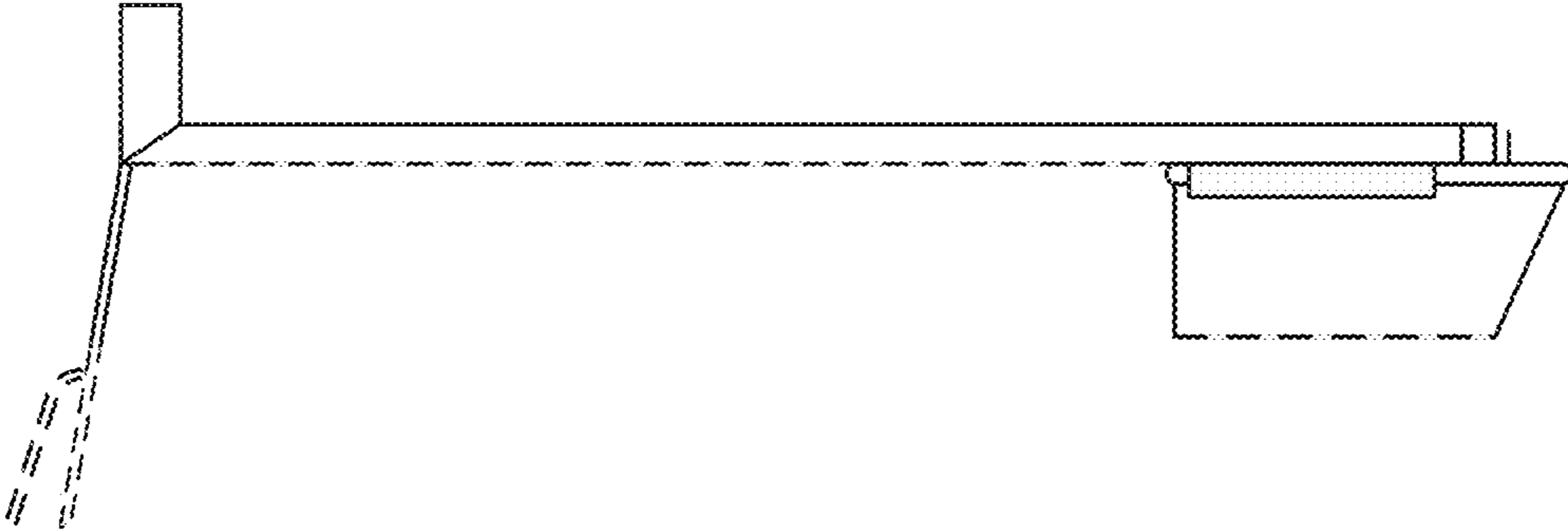


FIG. 12

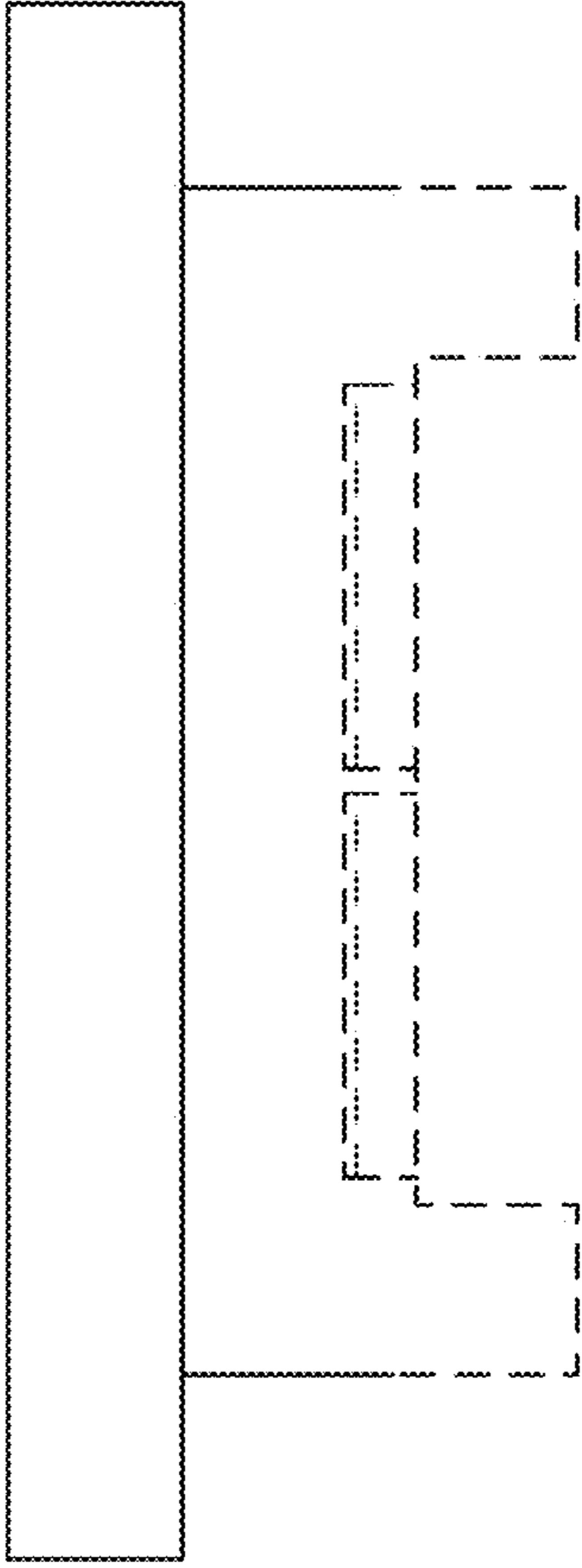


FIG. 13

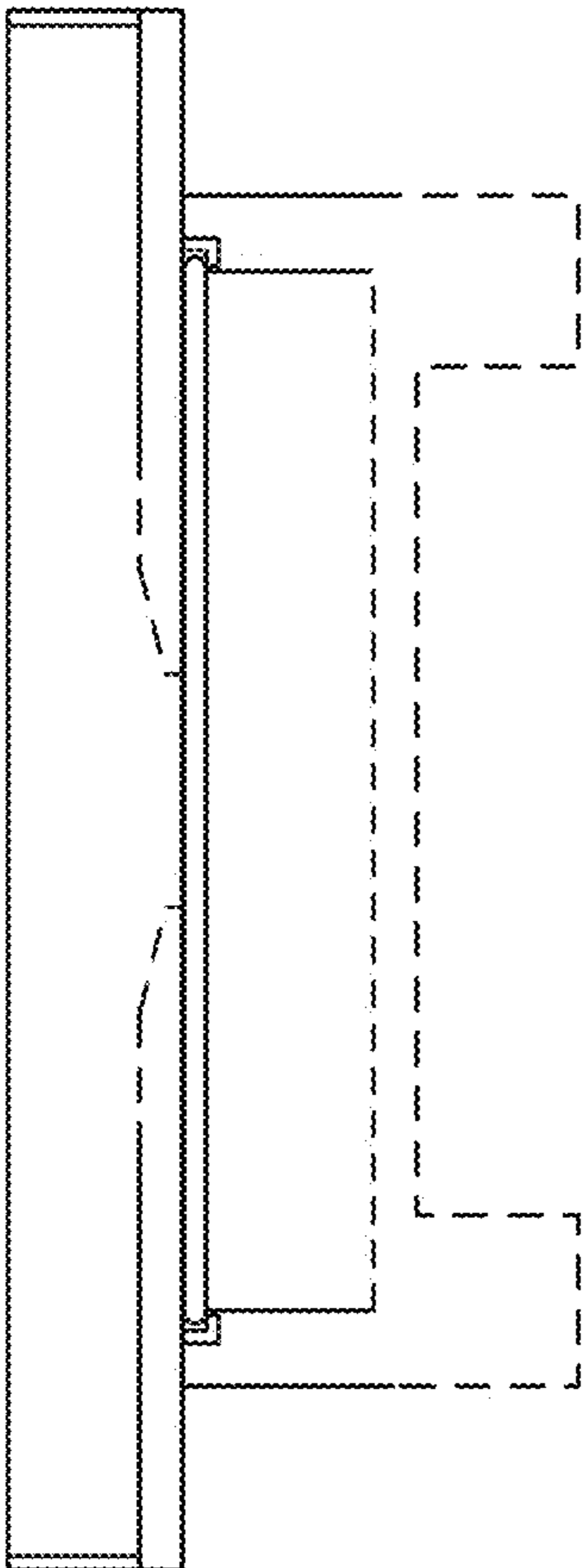


FIG. 14

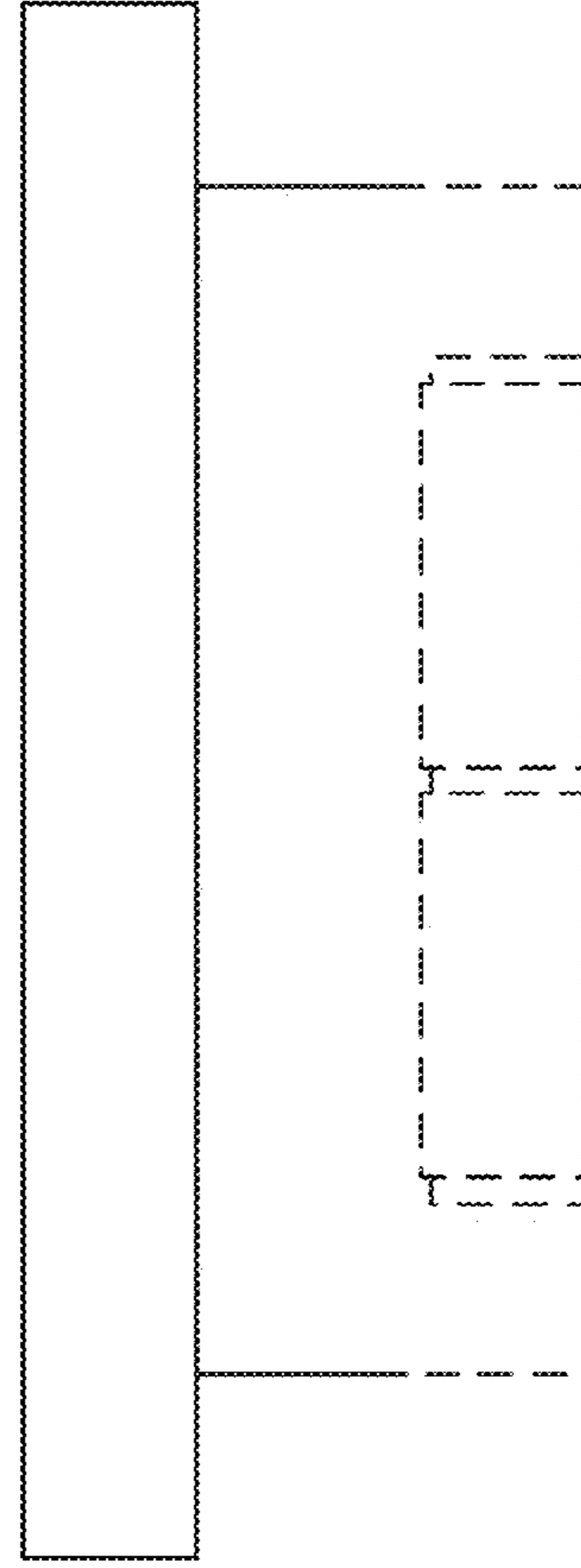


FIG. 15

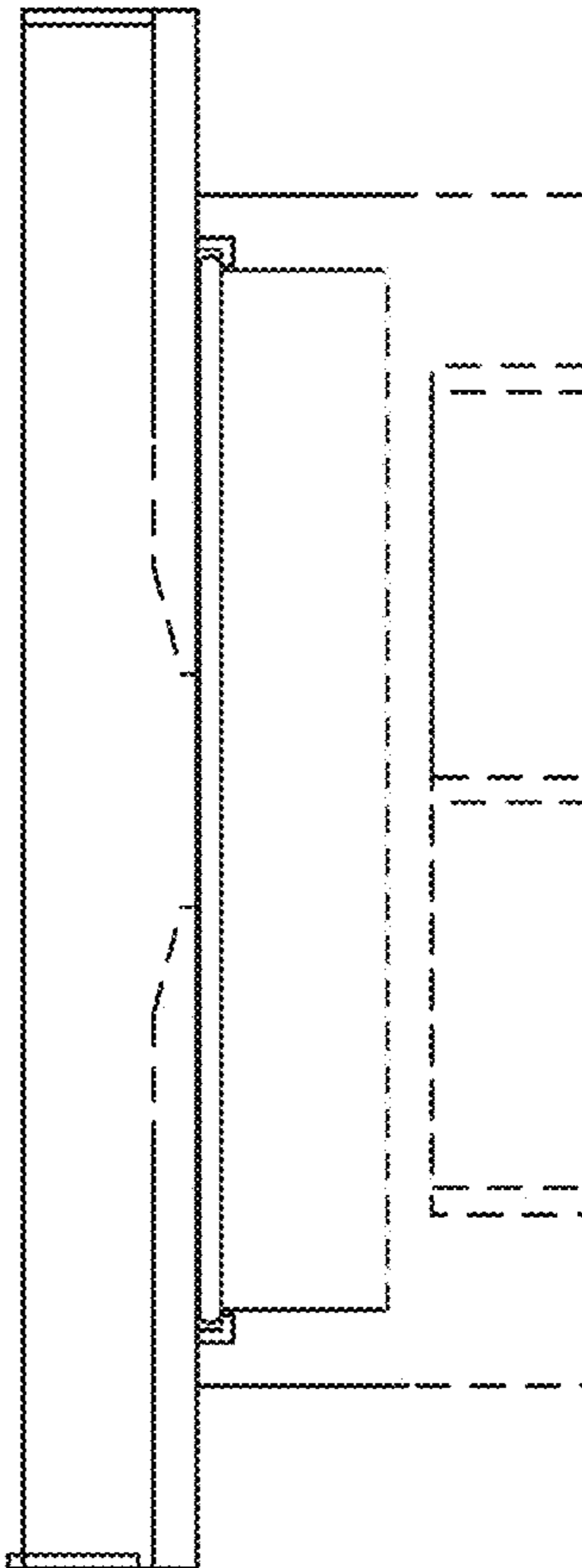


FIG. 16