



US00D976642S

(12) **United States Design Patent** (10) **Patent No.:** **US D976,642 S**
Park (45) **Date of Patent:** **** Jan. 31, 2023**

(54) **TRIPOD FOR COOKING UTENSILS**

(71) Applicant: **IKAMPER CO., LTD.**, Paju-si (KR)

(72) Inventor: **Soongyu Park**, Paju-si (KR)

(**) Term: **15 Years**

(21) Appl. No.: **35/512,748**

(22) Filed: **Apr. 15, 2021**

(80) **Hague Agreement Data**

Int. Filing Date: **Apr. 15, 2021**

Int. Reg. No.: **DM/214739**

Int. Reg. Date: **Apr. 15, 2021**

Int. Reg. Pub. Date: **Oct. 15, 2021**

(30) **Foreign Application Priority Data**

Mar. 25, 2021 (KR) 30-2021-0014402

(51) **LOC (14) Cl.** **07-02**

(52) **U.S. Cl.**
USPC **D7/403**

(58) **Field of Classification Search**
USPC D7/323, 332, 334-337, 338, 339, 402,
D7/403; D16/244; D25/62
CPC A47J 33/00; A47J 37/0763
See application file for complete search history.

(56) **References Cited**

U.S. PATENT DOCUMENTS

- D271,935 S * 12/1983 Conner D7/332
- D274,782 S * 7/1984 Little D6/403
- D290,963 S * 7/1987 Groschupp D16/244
- D293,052 S * 12/1987 Handler D6/681.3
- D315,846 S * 4/1991 Hatzenbeller D7/335
- 5,406,931 A * 4/1995 Montgomery A47J 33/00
126/30
- D420,757 S * 2/2000 Peterson D16/244

- D463,195 S * 9/2002 Jimenez D7/332
- D524,592 S * 7/2006 Brunner D7/332
- D579,708 S * 11/2008 Chen D7/332
- D638,654 S * 5/2011 Plott D7/332
- D673,016 S * 12/2012 Grimes D8/1
- D701,953 S * 4/2014 Hills D23/403
- D730,613 S * 5/2015 Woller D34/33
- D773,229 S * 12/2016 Jaggard D7/334
- 10,051,992 B1 * 8/2018 Buffenmeyer A47J 33/00
- D860,299 S * 9/2019 Li D16/244
- D951,016 S * 5/2022 Jaggard D7/403
- 2016/0116104 A1 * 4/2016 Jaggard A47J 37/0763
248/165
- 2022/0133089 A1 * 5/2022 Burch, II A47J 37/0763
126/25 A

* cited by examiner

Primary Examiner — Brett Miller

(74) *Attorney, Agent, or Firm* — Revolution IP, PLLC

(57) **CLAIM**

The ornamental design for a tripod for cooking utensils, as shown and described.

DESCRIPTION

1. Tripod for cooking utensils

1.1 : Perspective

1.2 : Front

1.3 : Back

1.4 : Left

1.5 : Right

1.6 : Top

1.7 : Bottom

1.8 : Reference

1.9 : Reference

The broken lines shown in Figures 1.8-1.9 are for the purpose of illustrating environment and form no part of the claimed design.

1 Claim, 9 Drawing Sheets



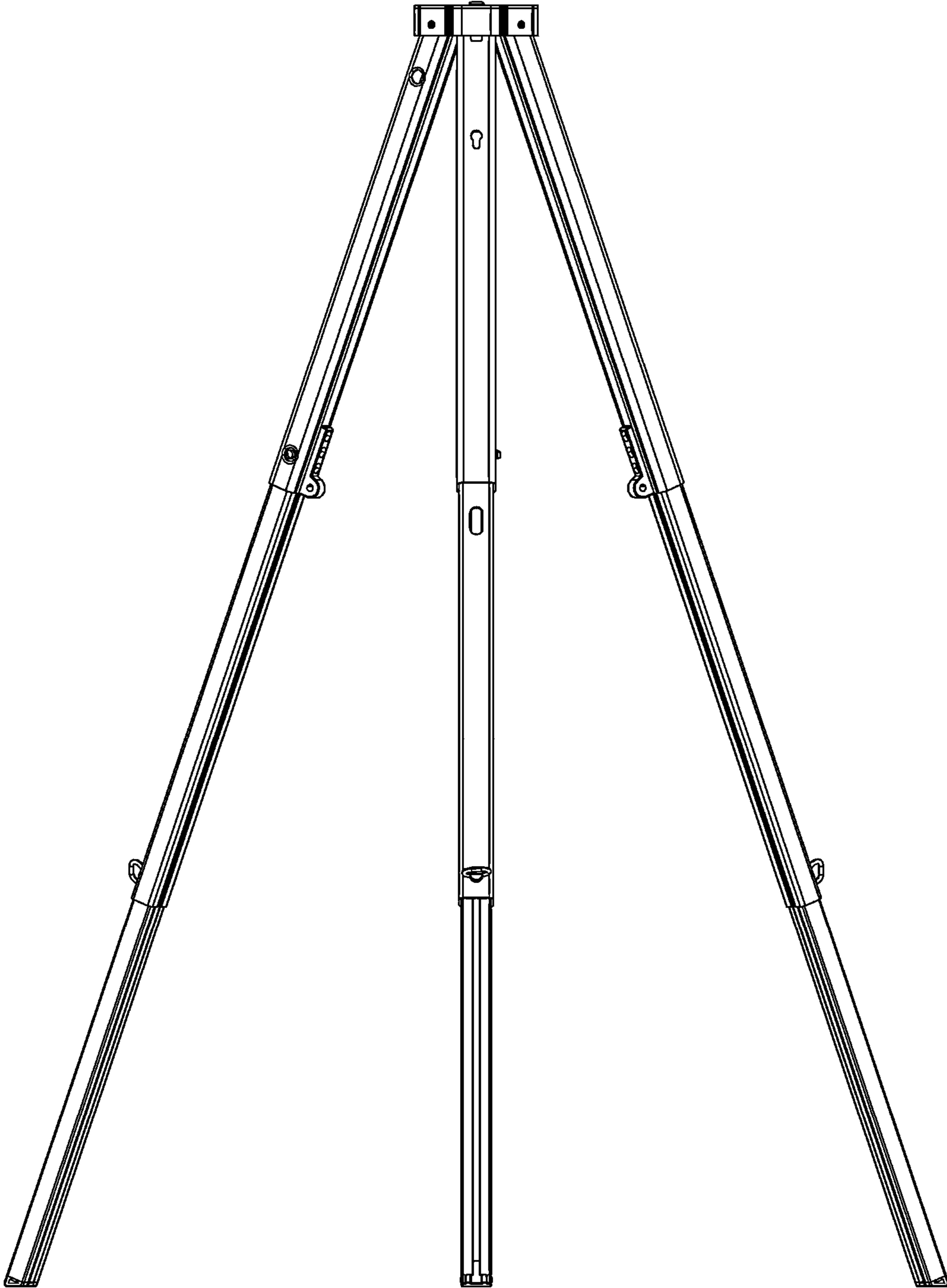
1.1



1.2



1.3



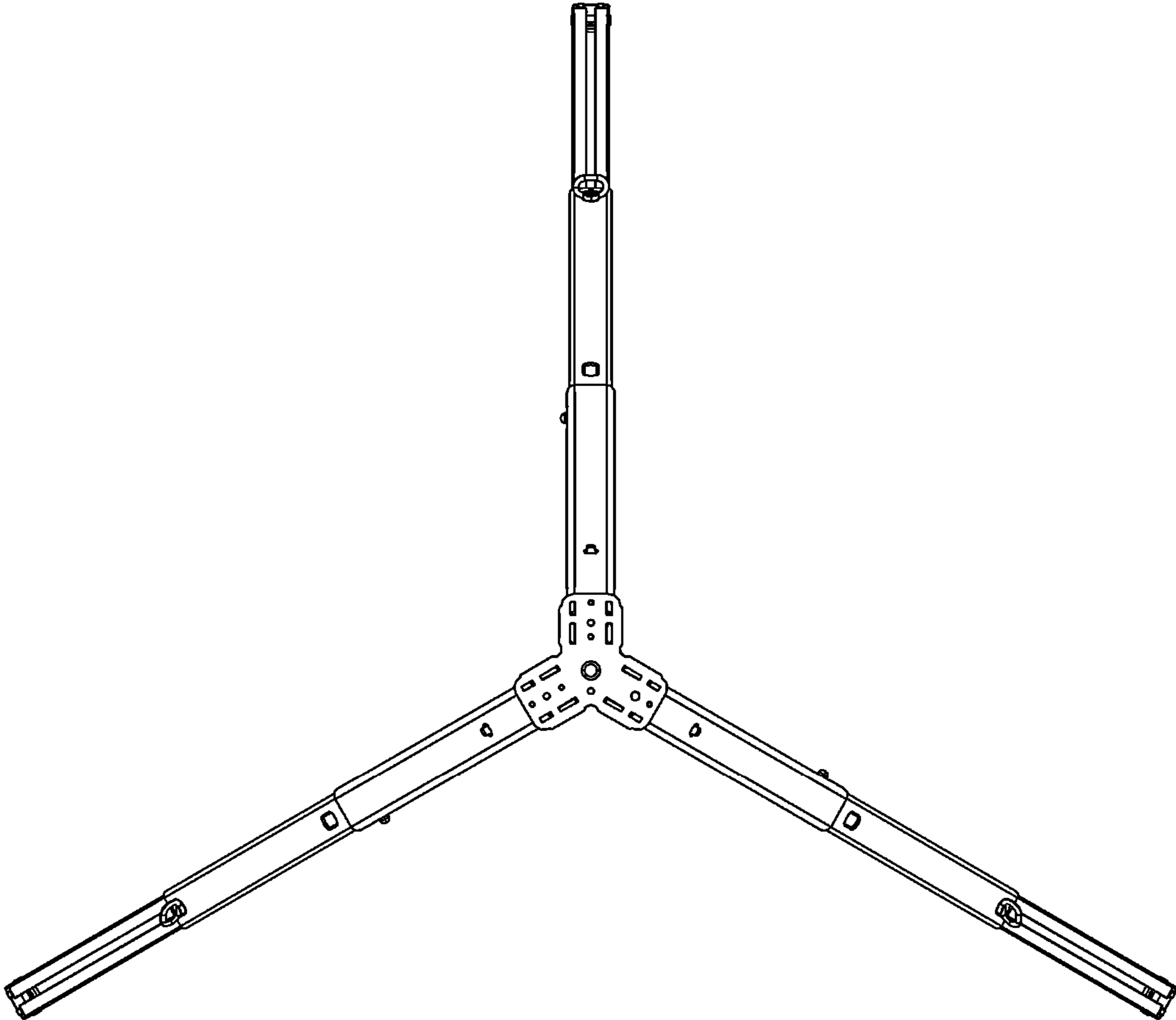
1.4



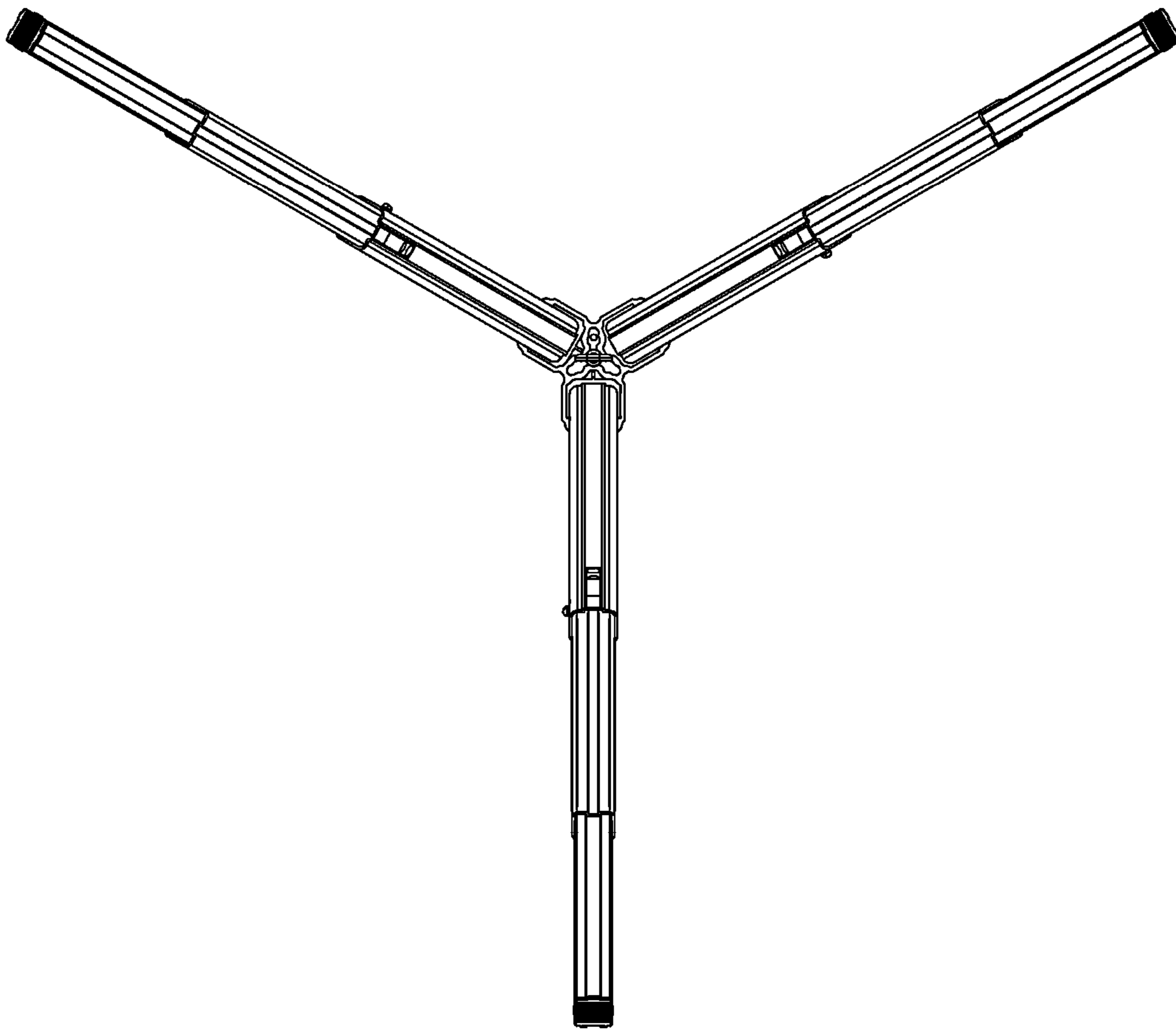
1.5



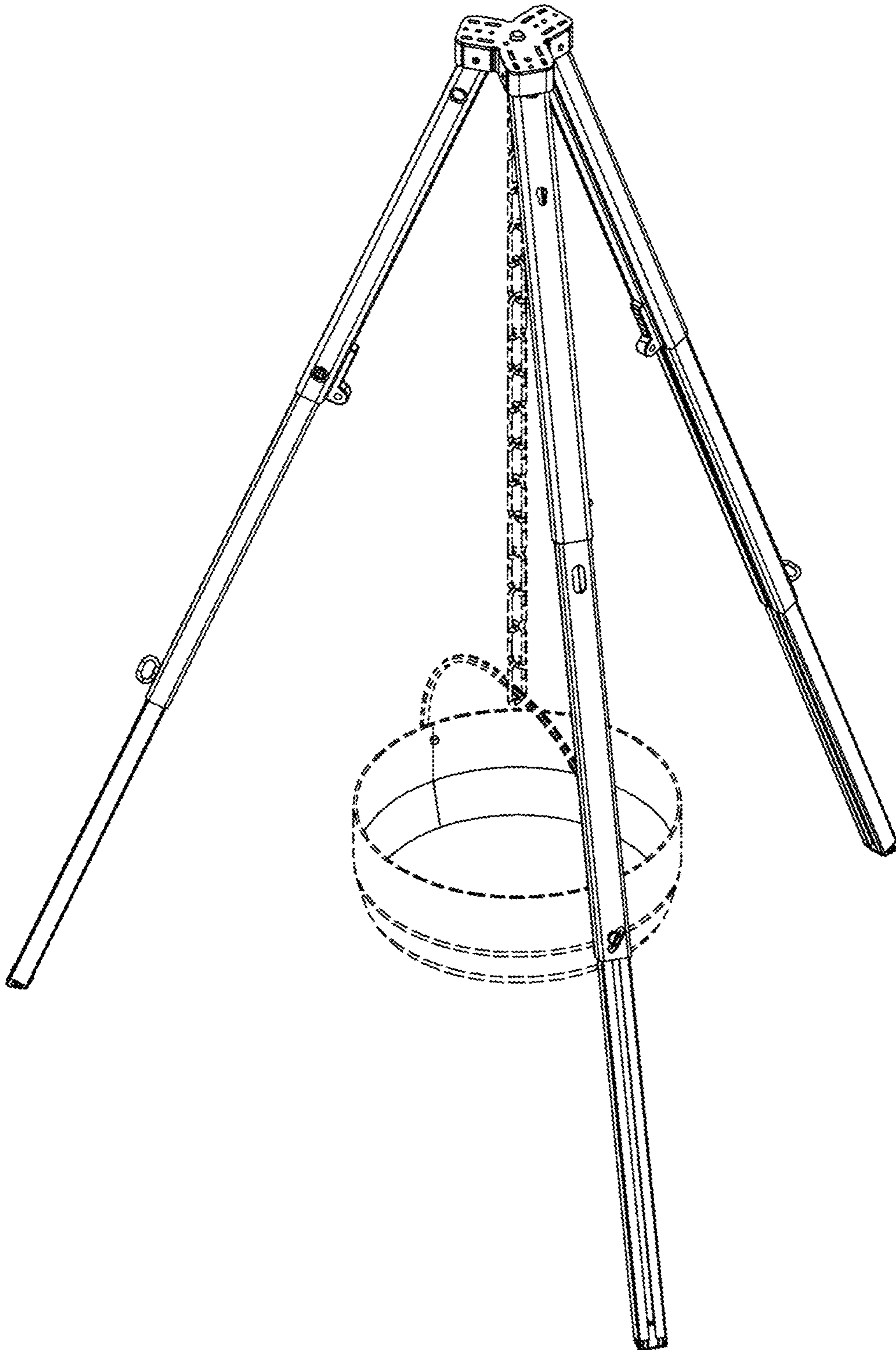
1.6



1.7



1.8



1.9

