



US00D976641S

(12) **United States Design Patent**  
**Chen**

(10) **Patent No.:** **US D976,641 S**

(45) **Date of Patent:** **\*\* Jan. 31, 2023**

(54) **GREASE TRAY FOR GAS GRILL**  
(71) Applicant: **Yaofei Chen**, Shenzhen (CN)  
(72) Inventor: **Yaofei Chen**, Shenzhen (CN)

(\*\*) Term: **15 Years**

(21) Appl. No.: **29/792,764**

(22) Filed: **Apr. 21, 2022**

(51) **LOC (14) Cl.** ..... **07-02**

(52) **U.S. Cl.**  
USPC ..... **D7/402**

(58) **Field of Classification Search**  
USPC ..... D7/323, 327, 332-338, 354, 359, 387,  
D7/402-409; D23/332, 343  
CPC .... A47J 37/0682; A47J 37/07; A47J 37/0704;  
A47J 37/0713; A47J 37/0718; A47J  
37/0727; A47J 37/0763; A47J 37/0772;  
A47J 37/0786; A47J 37/0795; A47J  
2037/0777; A47J 2037/0795

See application file for complete search history.

(56) **References Cited**

**U.S. PATENT DOCUMENTS**

3,106,886 A \* 10/1963 Layman ..... A47J 37/0786  
99/421 H  
4,909,137 A \* 3/1990 Brugnoli ..... A47J 37/0682  
126/41 R  
D390,062 S \* 2/1998 Bohannon ..... A23L 5/10  
D7/359  
5,890,422 A \* 4/1999 Clark ..... A47J 37/0786  
99/446  
D446,683 S \* 8/2001 Pai ..... D7/402  
D651,043 S \* 12/2011 Sarnoff ..... A47J 37/0786  
D7/354  
10,835,080 B2 11/2020 Nabity  
D920,741 S 6/2021 Kam

D951,015 S \* 5/2022 Young ..... A47J 37/0682  
D7/354  
2007/0221202 A1 \* 9/2007 Bruno ..... A47J 37/0713  
126/41 R  
2009/0260526 A1 \* 10/2009 Anderson ..... A47J 37/0786  
99/444

(Continued)

**OTHER PUBLICATIONS**

CaptainGrill Grease Tray with Catch Pan, Amazon, [online], [site visited Oct. 12, 2022], Available from internet URL: <https://www.amazon.com/Grease-Tray-Catch-Pan-Replacement/dp/B09SCN8C7Y?th=1> (Year: 2022).\*

(Continued)

*Primary Examiner* — Mary Ann Calabrese  
*Assistant Examiner* — Natalya M Rapundalo  
(74) *Attorney, Agent, or Firm* — Daniel M. Cohn;  
Howard M. Colin

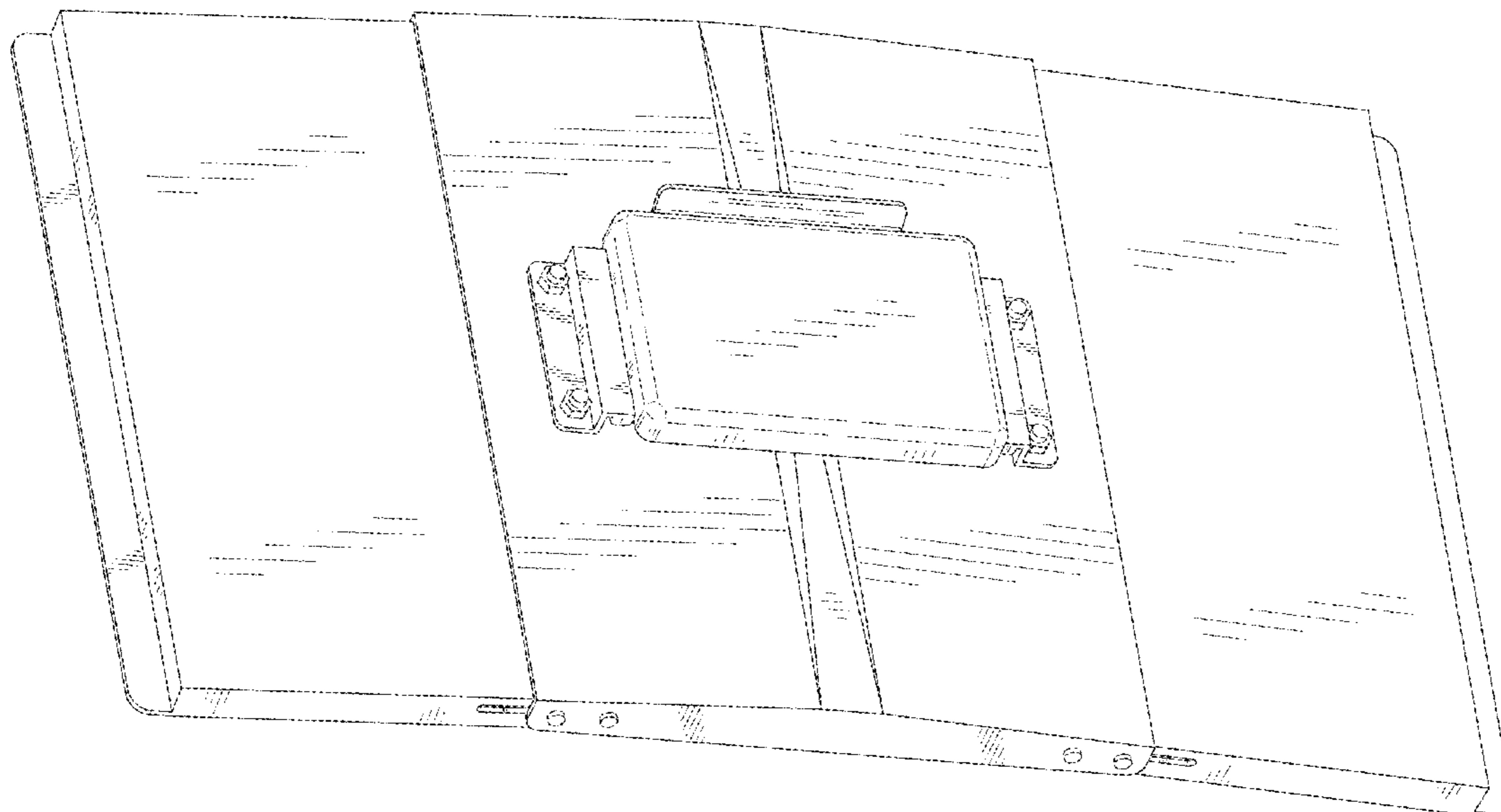
(57) **CLAIM**

The ornamental design for a grease tray for gas grill, as shown and described.

**DESCRIPTION**

FIG. 1 is an exploded top front perspective view of a grease tray for gas grill showing my new design; FIG. 2 is an exploded bottom front perspective view thereof; FIG. 3 is an exploded rear bottom perspective view thereof; FIG. 4 is an exploded front elevational view thereof; FIG. 5 is an exploded rear elevational view thereof; FIG. 6 is an exploded left side elevational view thereof; FIG. 7 is a right side elevational view thereof; FIG. 8 is an exploded top plan view thereof; FIG. 9 is an exploded bottom plan view thereof; and, FIG. 10 is a rear perspective view of the grease tray for gas grill where the grease tray for gas grill is assembled. The broken lines in the drawings depict portions of the grease tray for gas grill that form no part of the claimed design.

**1 Claim, 10 Drawing Sheets**



(56)

**References Cited**

U.S. PATENT DOCUMENTS

2018/0192823 A1\* 7/2018 Nureddine ..... A23L 5/10

OTHER PUBLICATIONS

Vencino Stainless Steel Grill Grease Tray with Catch Pan, Amazon, [online], [site visited Oct. 12, 2022], Available from internet URL: <https://www.amazon.com/dp/B0BCJVHH9B> (Year: 2022).\*

\* cited by examiner

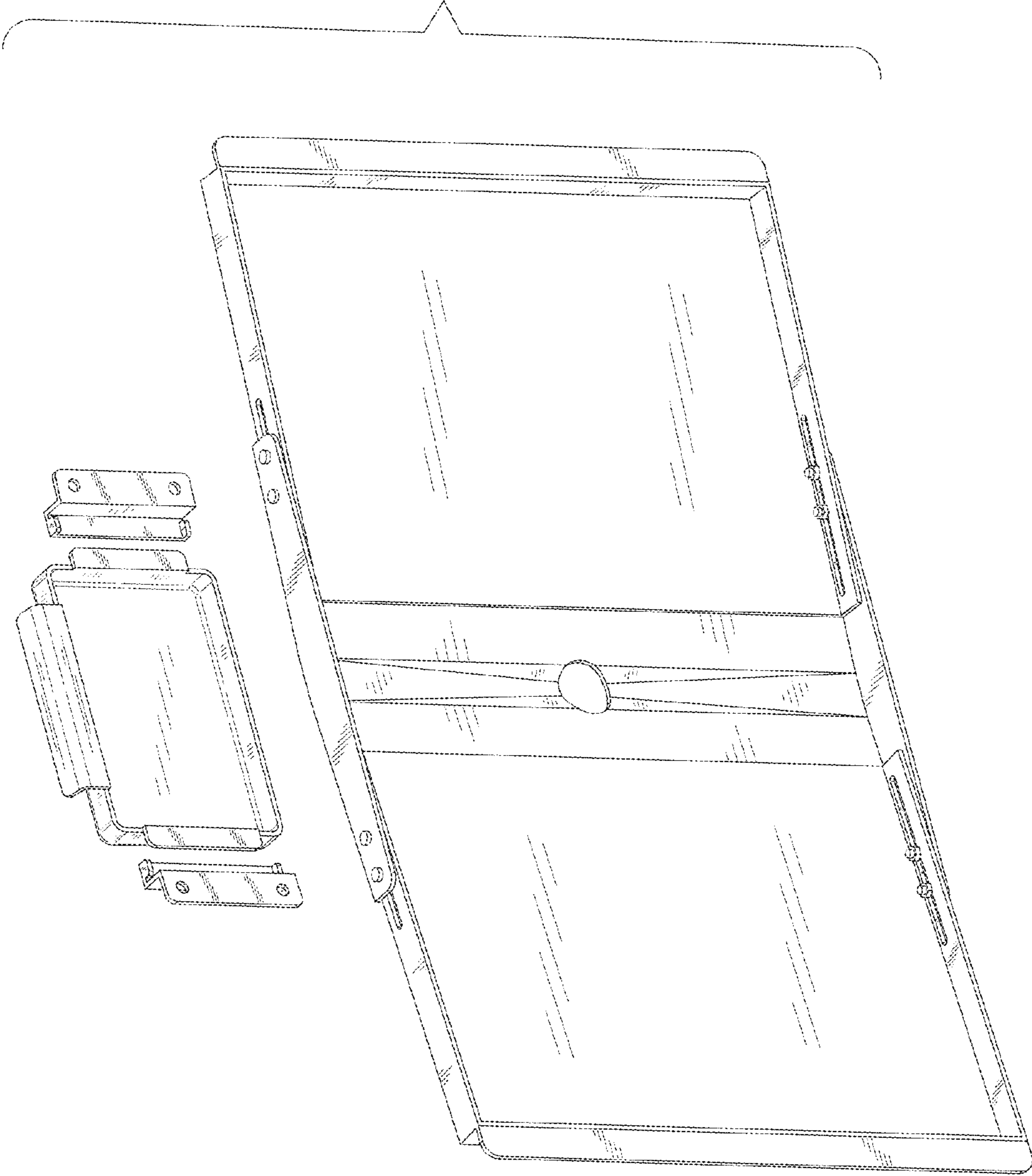


FIG. 1

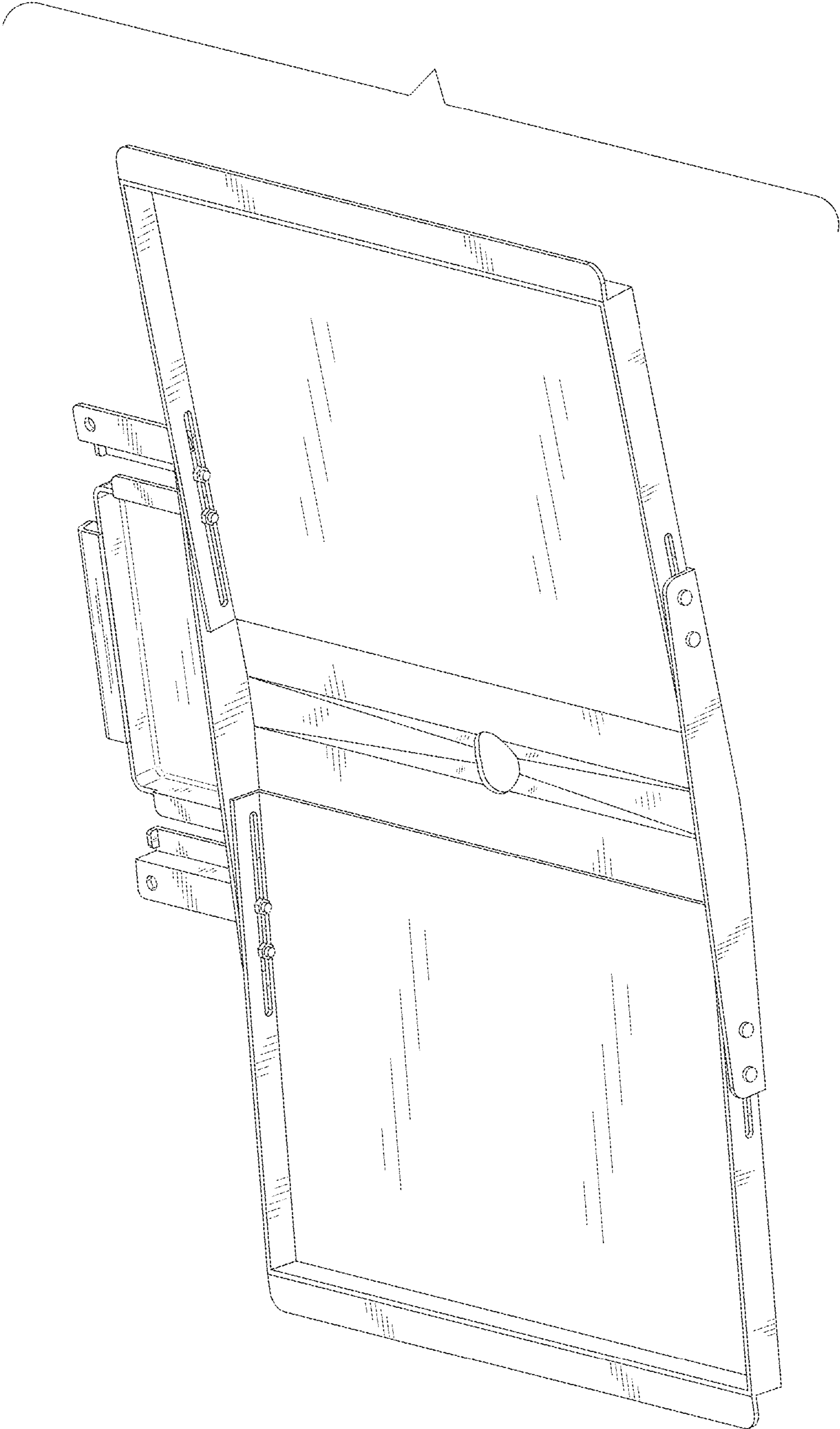


FIG. 2

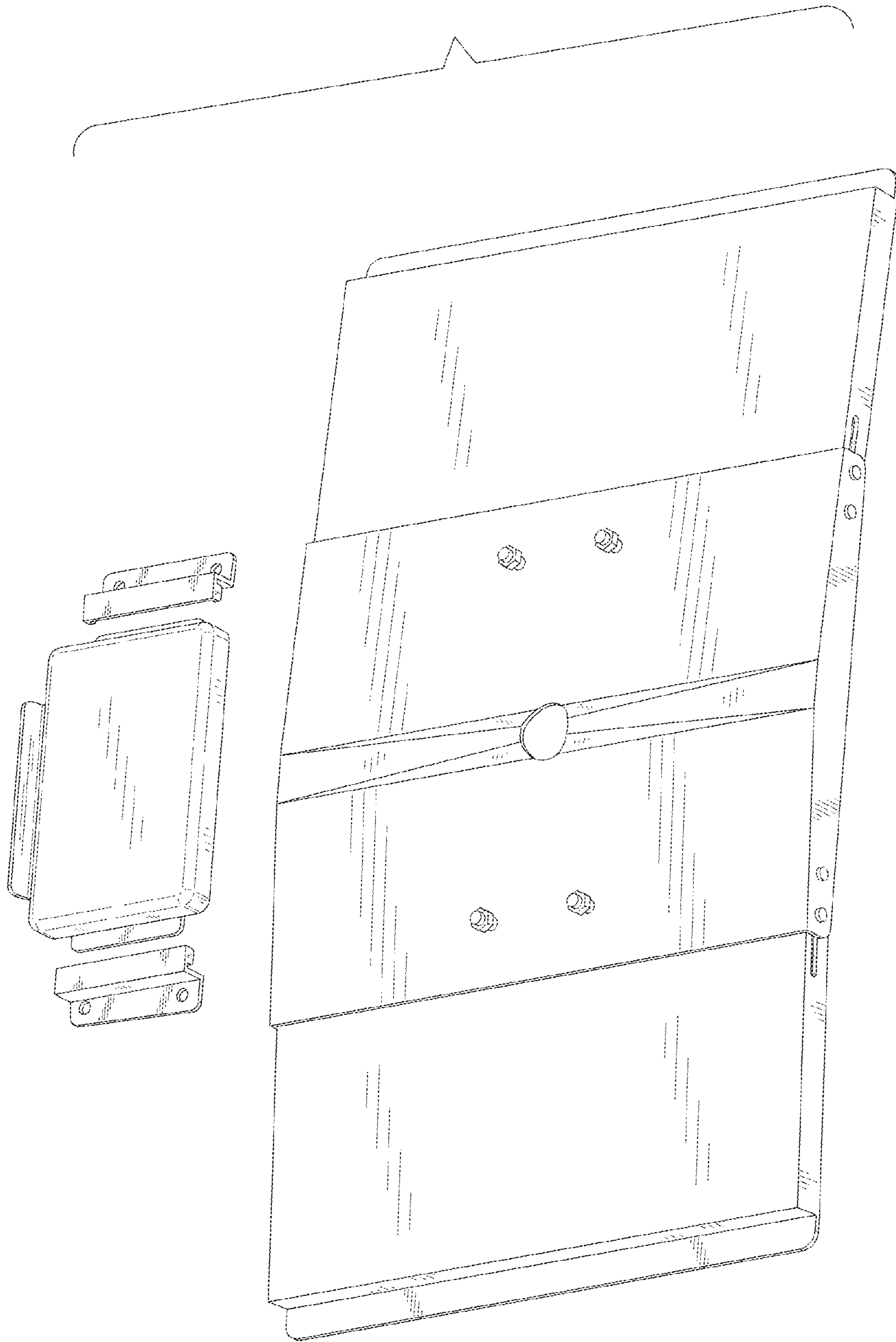


FIG. 3

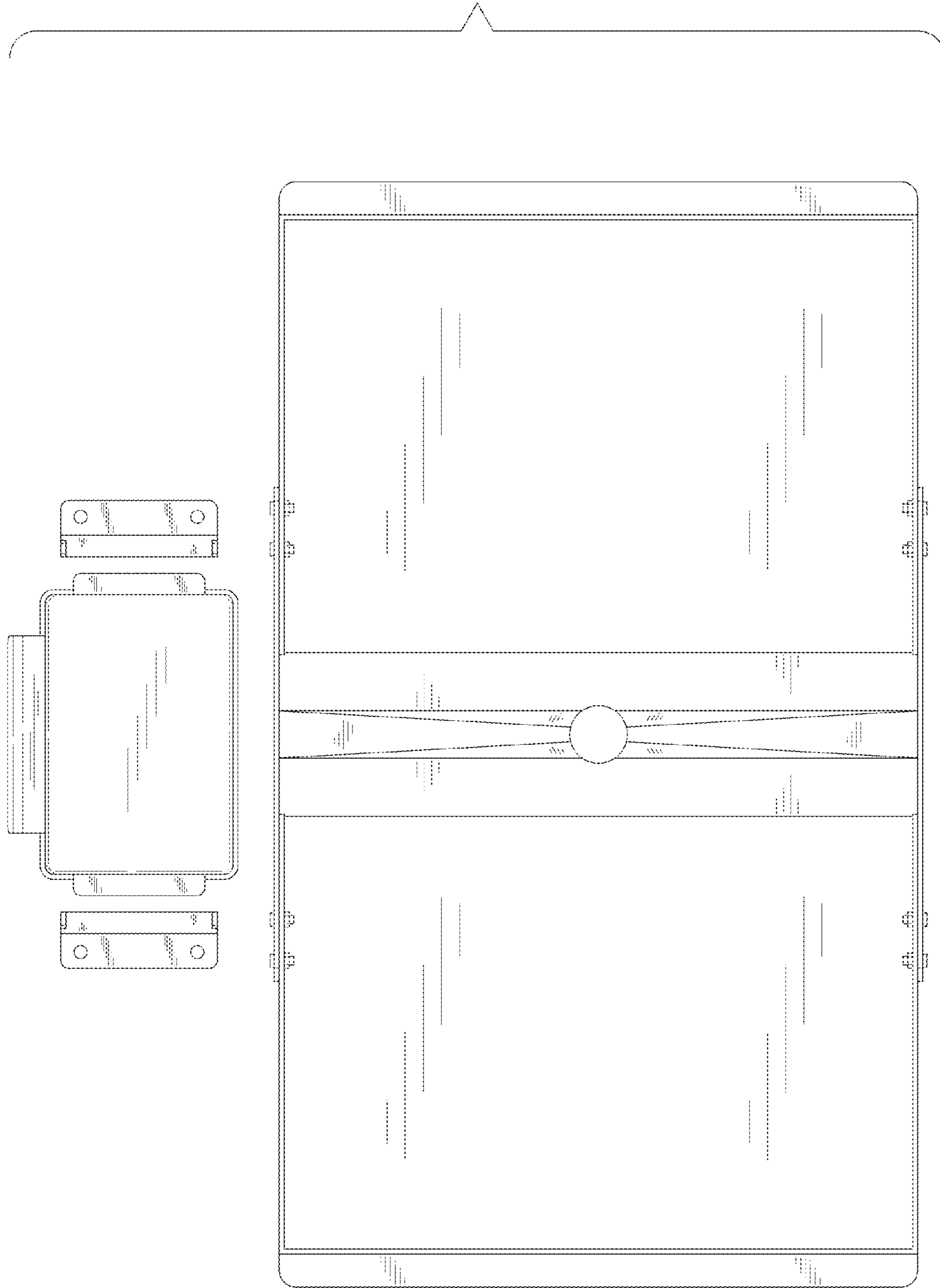


FIG. 4

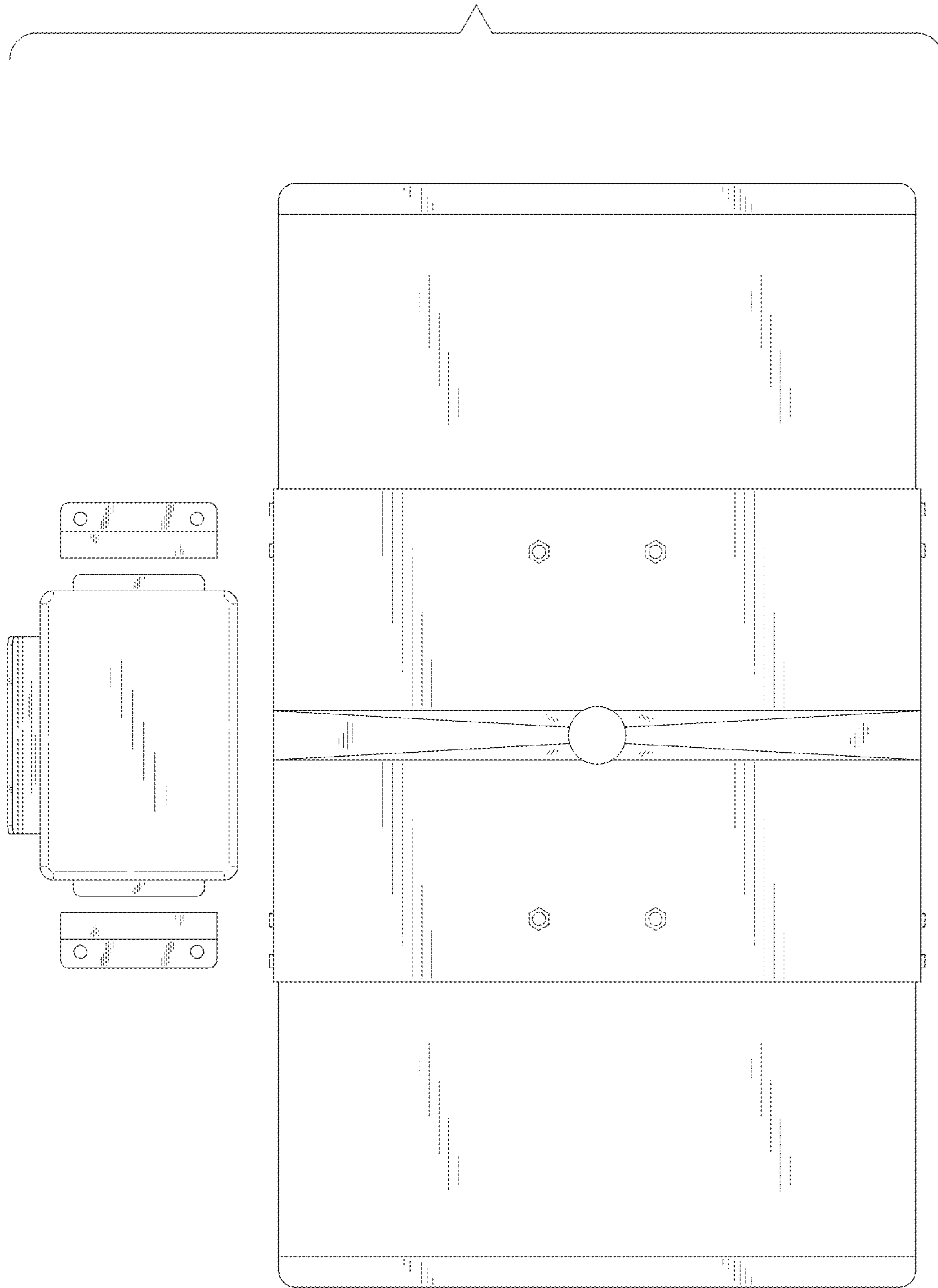


FIG. 5

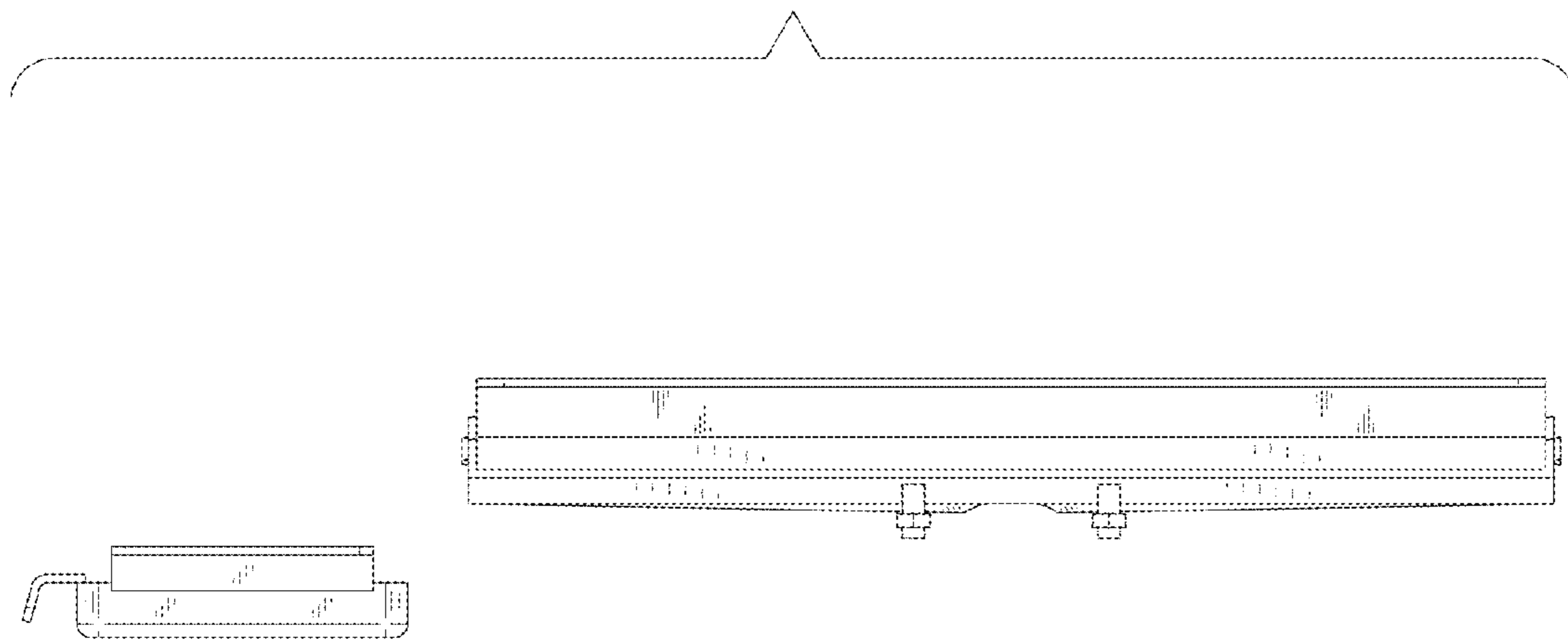


FIG. 6



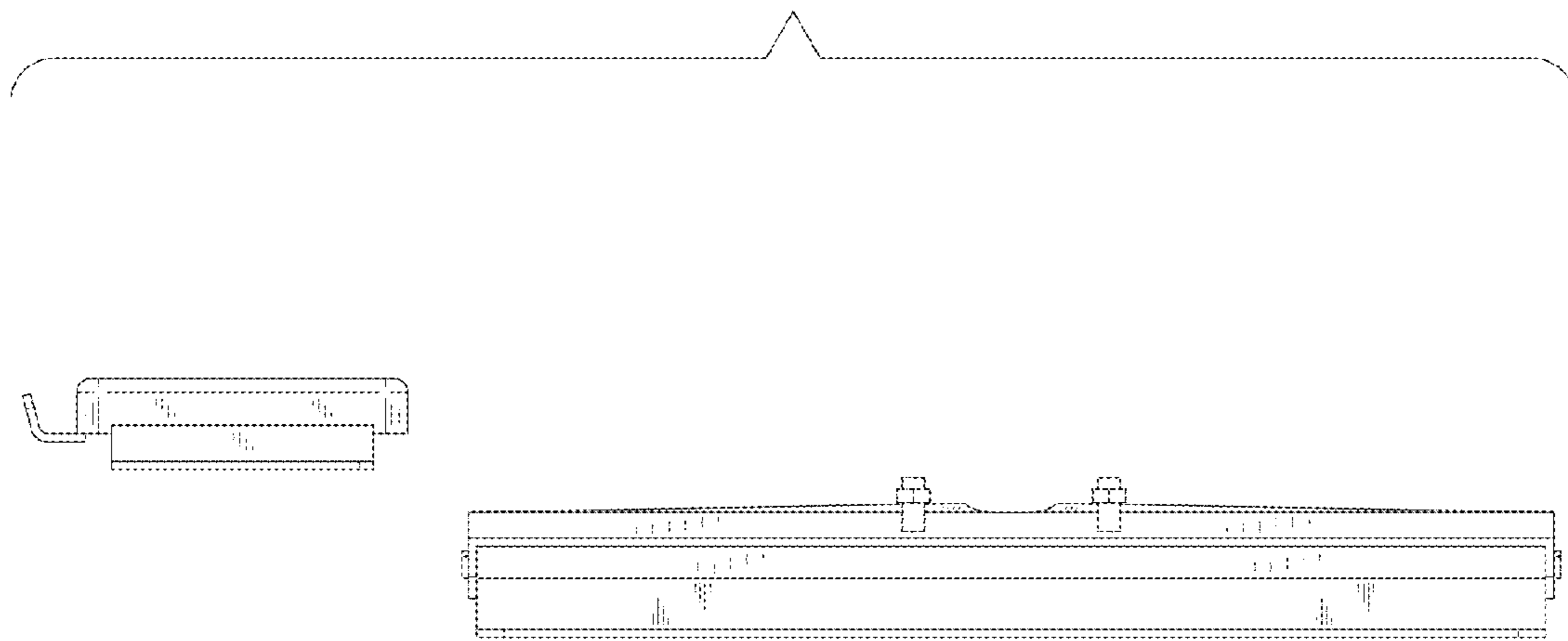


FIG. 7

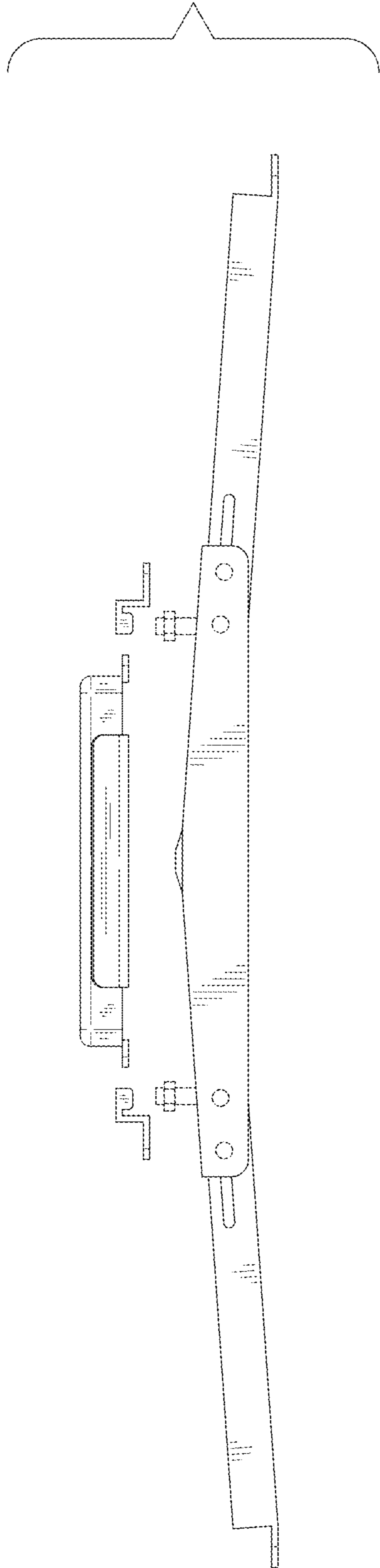


FIG. 8

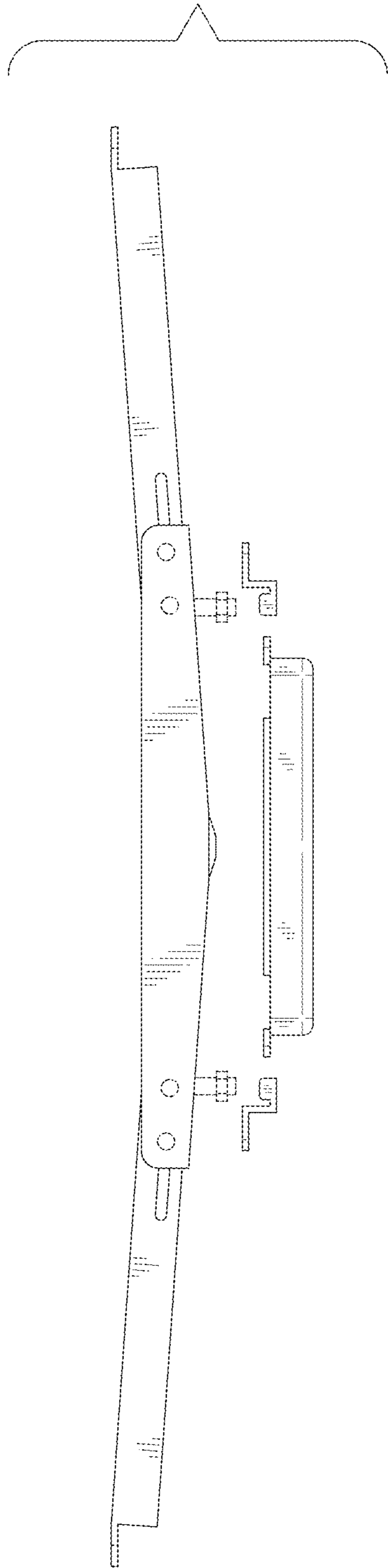


FIG. 9

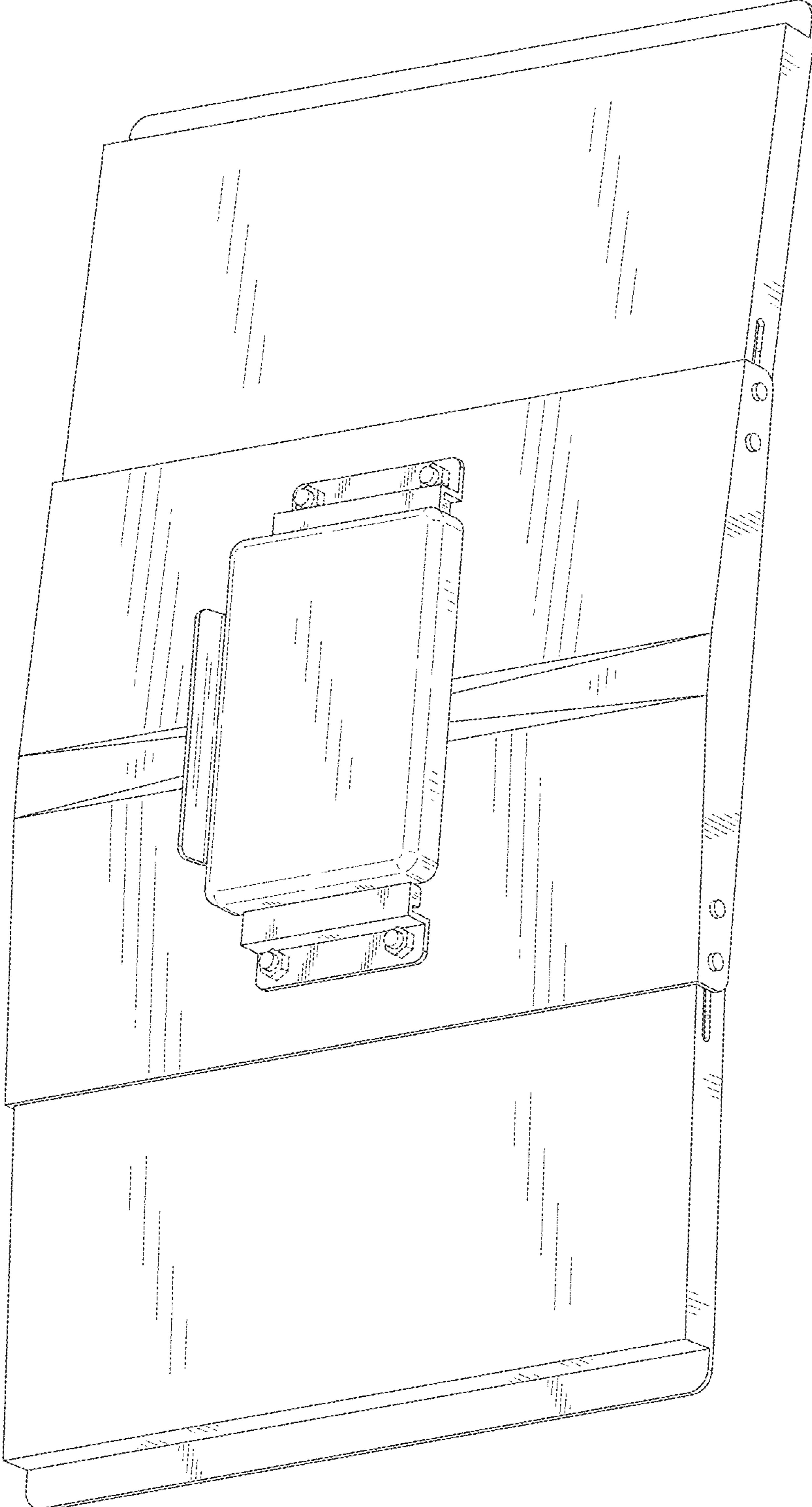


FIG. 10