



US00D976638S

(12) **United States Design Patent**
Glupker

(10) **Patent No.:** **US D976,638 S**

(45) **Date of Patent:** **** Jan. 31, 2023**

(54) **POUR OVER COFFEE MAKER**

(71) Applicant: **BRADSHAW HOME**, Rancho Cucamonga, CA (US)

(72) Inventor: **Christopher Warren Glupker**, North Hills, CA (US)

(73) Assignee: **BRADSHAW HOME**, Rancho Cucamonga, CA (US)

(**) Term: **15 Years**

(21) Appl. No.: **29/786,158**

(22) Filed: **May 28, 2021**

(51) **LOC (14) Cl.** **07-06**

(52) **U.S. Cl.**

USPC **D7/400**

(58) **Field of Classification Search**

USPC D7/302, 303, 309, 316, 317, 318, 319,
D7/320, 321, 392, 399, 400

CPC A47G 19/145; A47G 19/14; A47J 31/02;
A47J 31/446; A47J 31/06; A47J 31/08;
A47J 31/043; A47J 31/053; A47J 31/04;
A47J 31/24; A47J 31/00; A47J 31/0657;
A47J 31/0689; A47J 27/21; A47J 31/54;
A47J 31/605; A47J 27/21183; A47J
31/10; B01D 23/28; B31D 1/0006; B65D
2581/3409

See application file for complete search history.

(56) **References Cited**

U.S. PATENT DOCUMENTS

2,120,860 A 6/1938 Ehlers
2,234,397 A * 3/1941 Bentz A47J 31/06
D7/400

(Continued)

Primary Examiner — Joseph Kukella
Assistant Examiner — Darryl J Dardenne

(74) *Attorney, Agent, or Firm* — Birch, Stewart, Kolasch & Birch, LLP

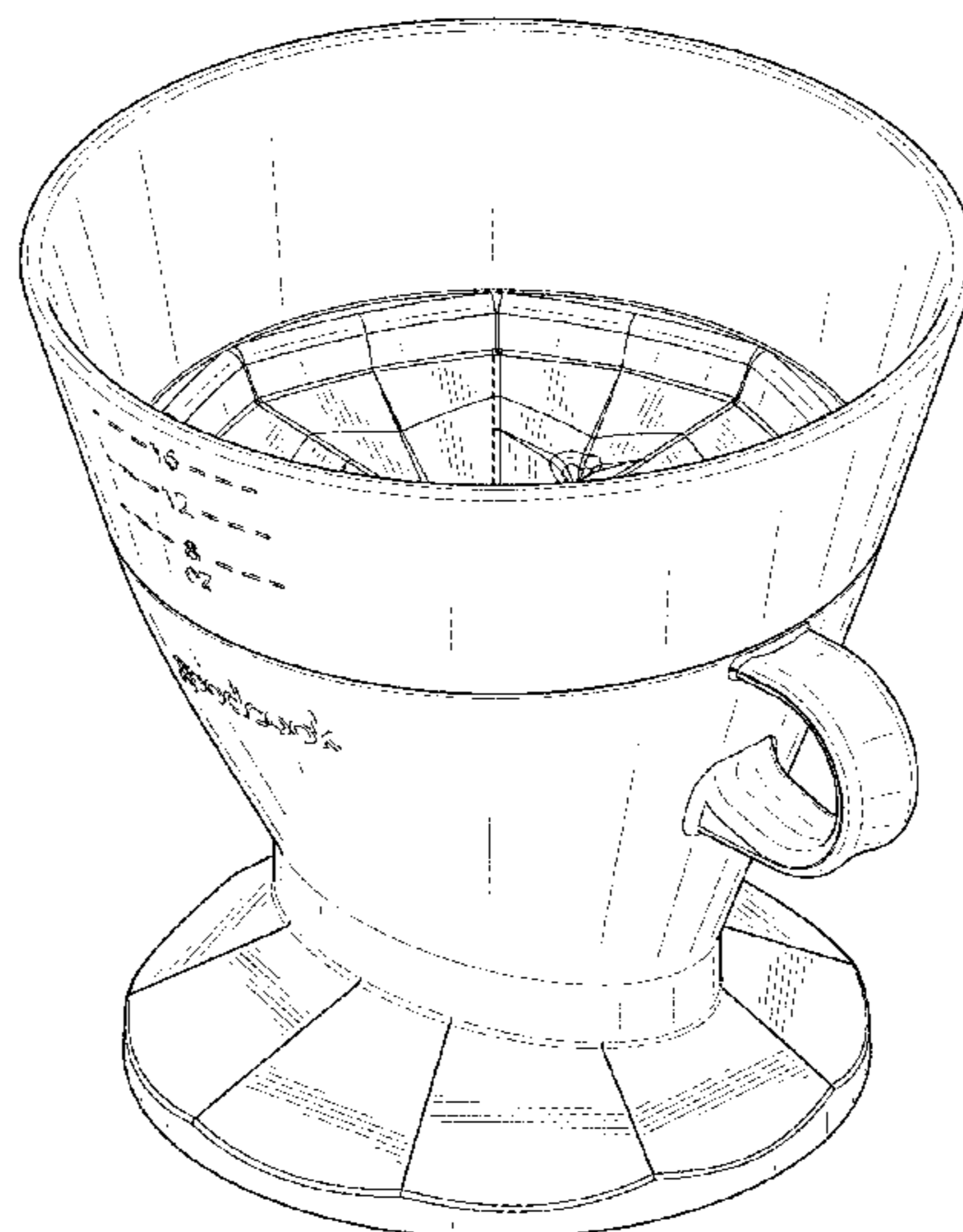
(57) **CLAIM**

The ornamental design for a pour over coffee maker, as shown and described.

DESCRIPTION

FIG. 1 is a top, front, right perspective view of a pour over coffee maker showing my new design;
FIG. 2 is a front view thereof;
FIG. 3 is a rear view thereof;
FIG. 4 is a left side view thereof;
FIG. 5 is a right side view thereof;
FIG. 6 is a top plan view thereof;
FIG. 7 is a bottom plan view thereof;
FIG. 8 is a top, front, right perspective view of the pour over coffee maker shown in use thereof;
FIG. 9 is a cross-sectional view of the pour over coffee maker of FIG. 6;
FIG. 10 is a top, front, right perspective view of the top portion of the pour over coffee maker of FIG. 1 shown separately for ease of illustration of the claim.
FIG. 11 is a front view thereof;
FIG. 12 is a rear view thereof;
FIG. 13 is a left side view thereof;
FIG. 14 is a right side view thereof;
FIG. 15 is a top plan view thereof;
FIG. 16 is a bottom plan view thereof;
FIG. 17 is a top, front, right perspective view of the bottom portion of the pour over coffee maker of FIG. 1 shown separately for ease of illustration of the claim.
FIG. 18 is a front view thereof;
FIG. 19 is a rear view thereof;
FIG. 20 is a left side view thereof;
FIG. 21 is a right side view thereof;
FIG. 22 is a top plan view thereof; and,
FIG. 23 is a bottom plan view thereof.
The broken line showing in the figures is for the purpose of illustrating portions of the pour over coffee maker that form no part of the claimed design.

1 Claim, 23 Drawing Sheets



(56)

References Cited

U.S. PATENT DOCUMENTS

2,365,269	A	12/1944	Hill	
2,767,640	A	10/1956	Holland	
D203,854	S *	2/1966	Douglas D7/400
3,334,574	A	8/1967	Douglas	
4,099,453	A	7/1978	Kaplan	
4,895,656	A *	1/1990	Smit A47J 31/0605 222/441
D521,329	S *	5/2006	Bodum A47J 31/02 D7/400
D524,599	S *	7/2006	Bodum D7/400
D564,832	S *	3/2008	Bodum A47J 31/0605 D7/400
7,926,414	B1	4/2011	Wolcott	
D642,433	S *	8/2011	Tuan D7/400
D717,110	S *	11/2014	De Leo D7/400
D791,535	S *	7/2017	Yeh D7/400
D796,889	S	9/2017	Laskowski	
D797,501	S *	9/2017	Thurlow D7/400
D809,338	S *	2/2018	Mikami D7/400
D840,190	S	2/2019	Schueler	
D847,564	S *	5/2019	Best D7/400
D873,607	S *	1/2020	Day, Jr. D7/400
10,709,283	B2	7/2020	Kuempel	
D907,437	S *	1/2021	Molnar D7/400
D915,135	S *	4/2021	Lin D7/400
D948,934	S *	4/2022	Wahl D7/400
D953,801	S *	6/2022	Ong D7/400
D958,595	S *	7/2022	Yoshida D7/400
2011/0005400	A1 *	1/2011	Tien A47J 31/02 99/298
2018/0116441	A1 *	5/2018	Kuempel A47J 31/02
2019/0191914	A1 *	6/2019	Schillheim A47J 31/0626

* cited by examiner

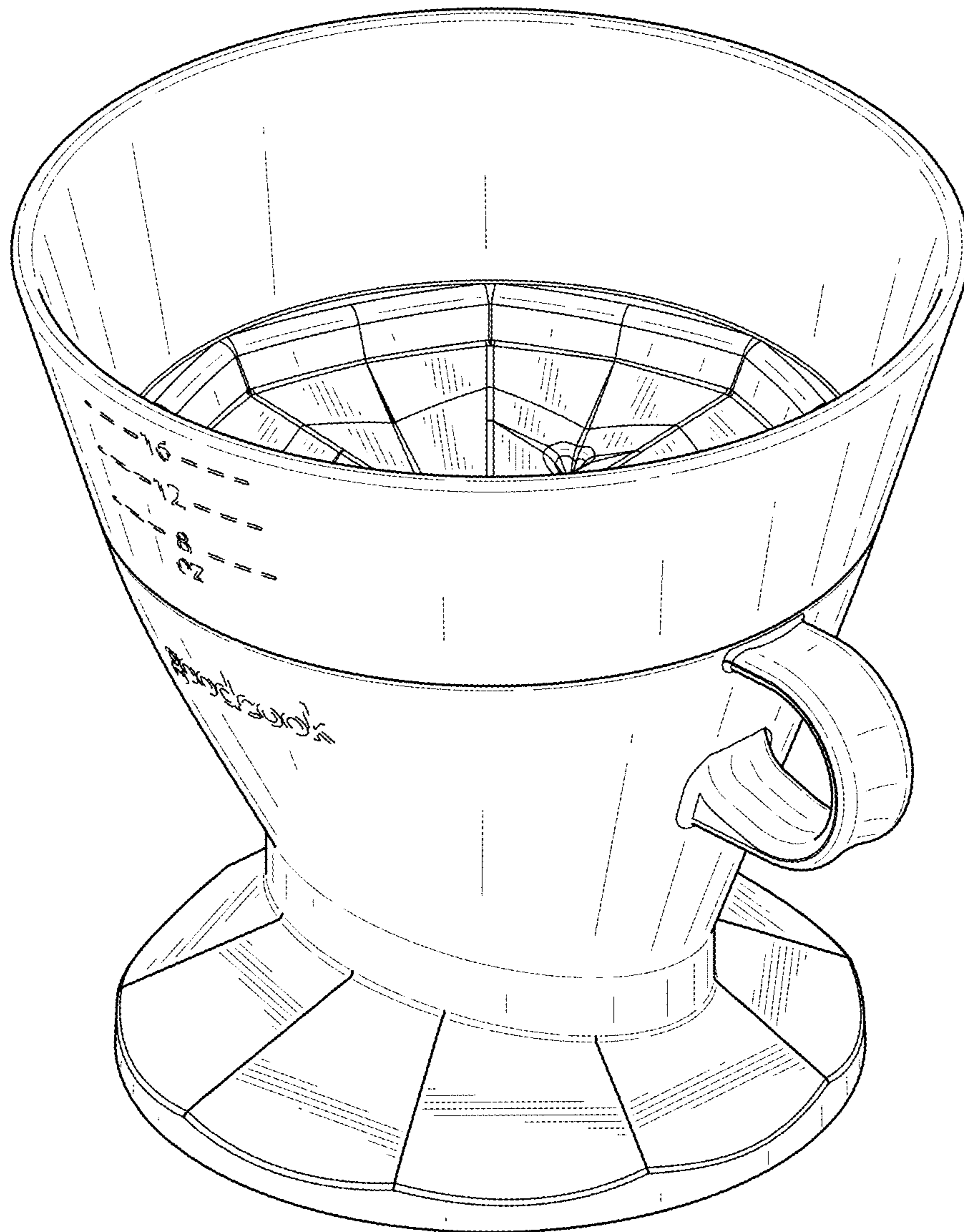


FIG. 1



FIG.2



FIG. 3

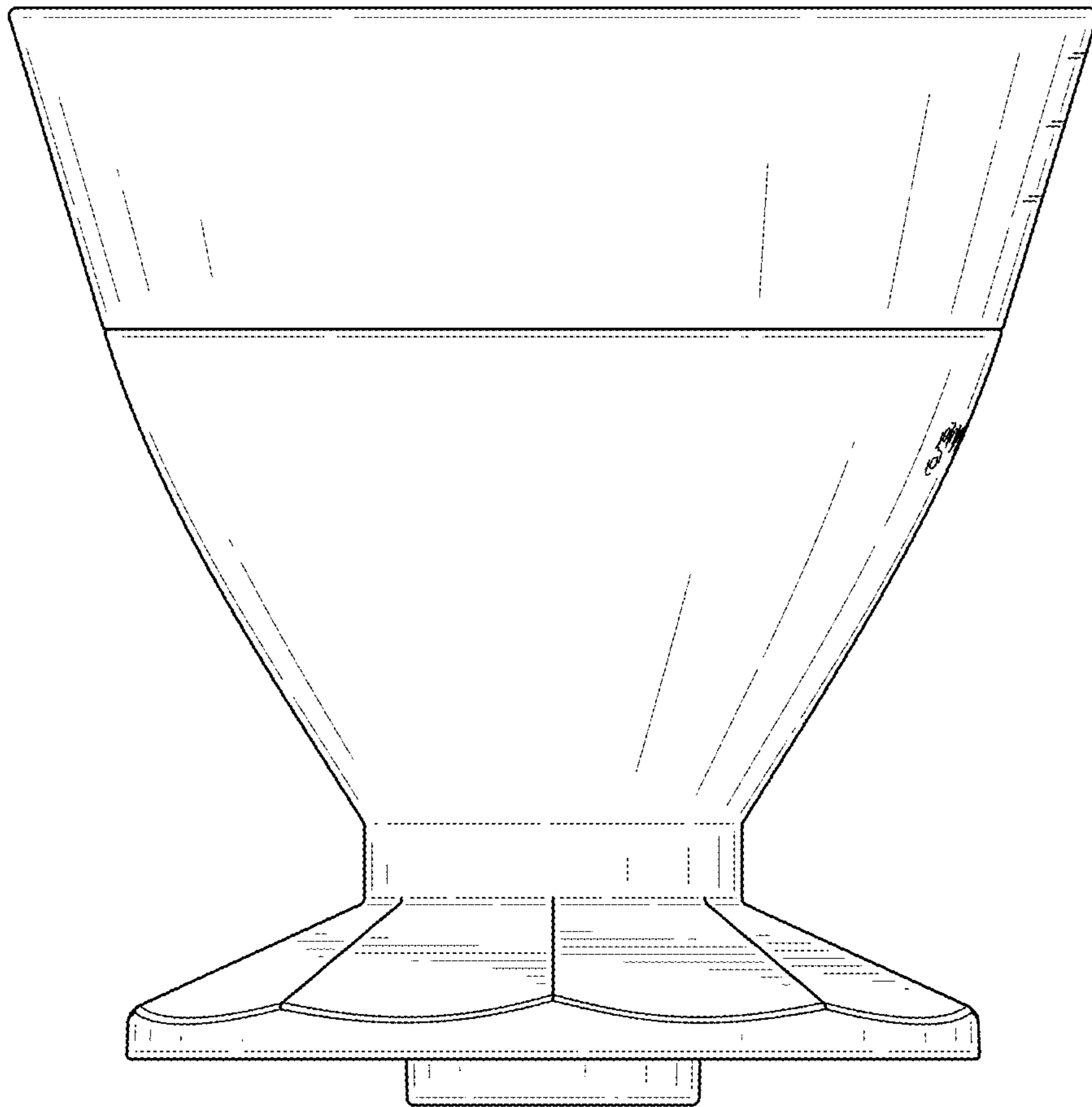


FIG.4

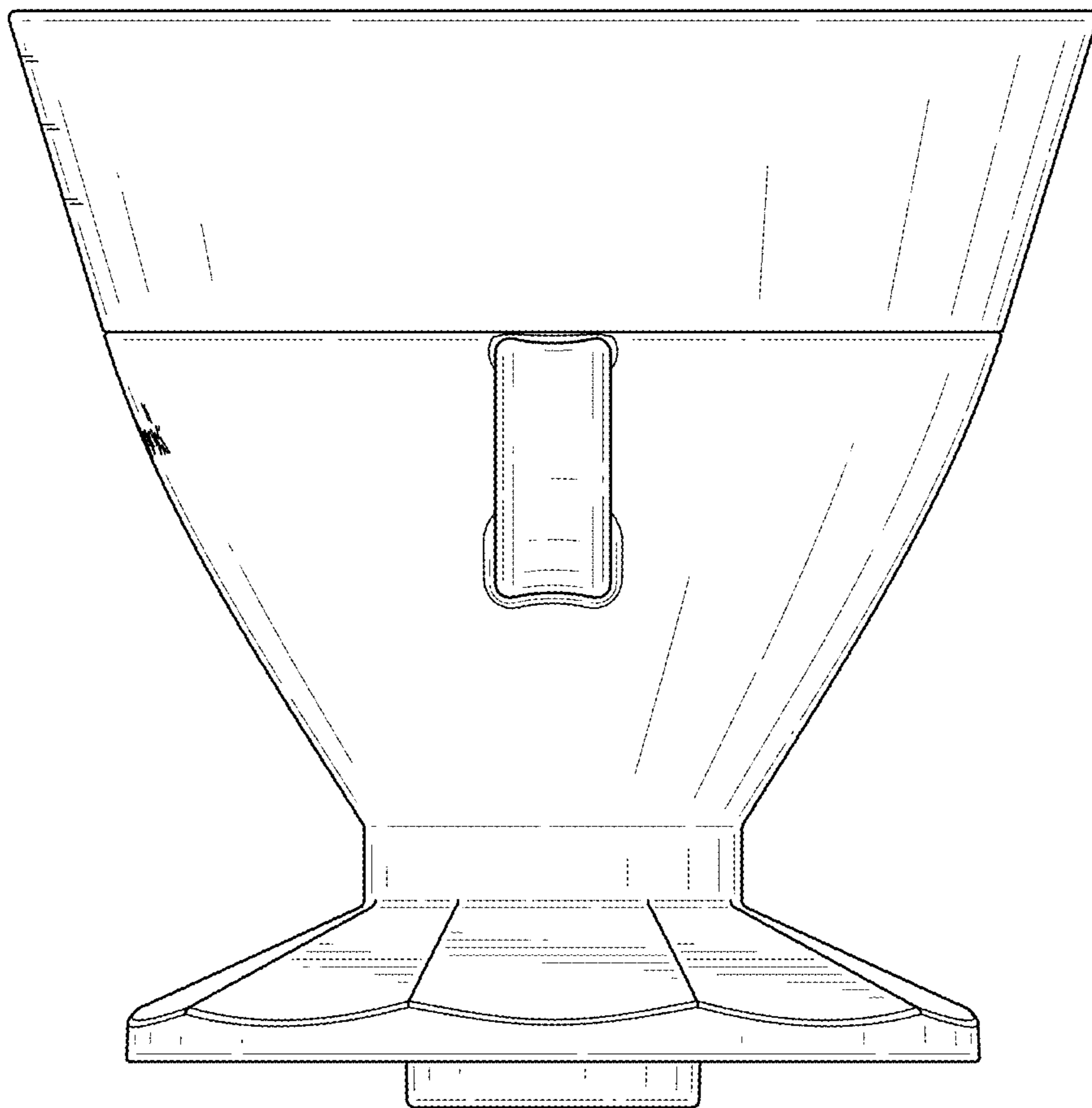


FIG.5

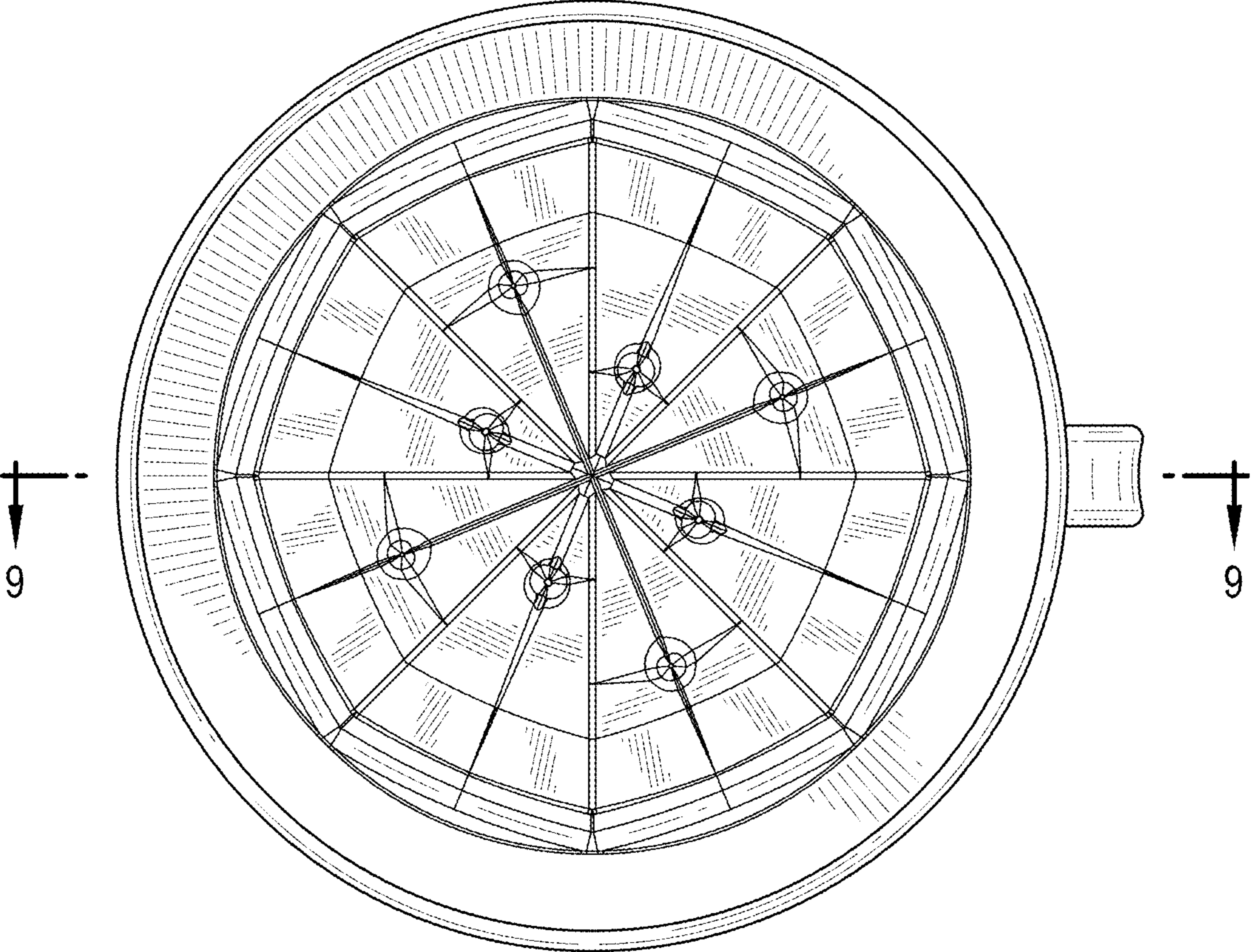


FIG.6

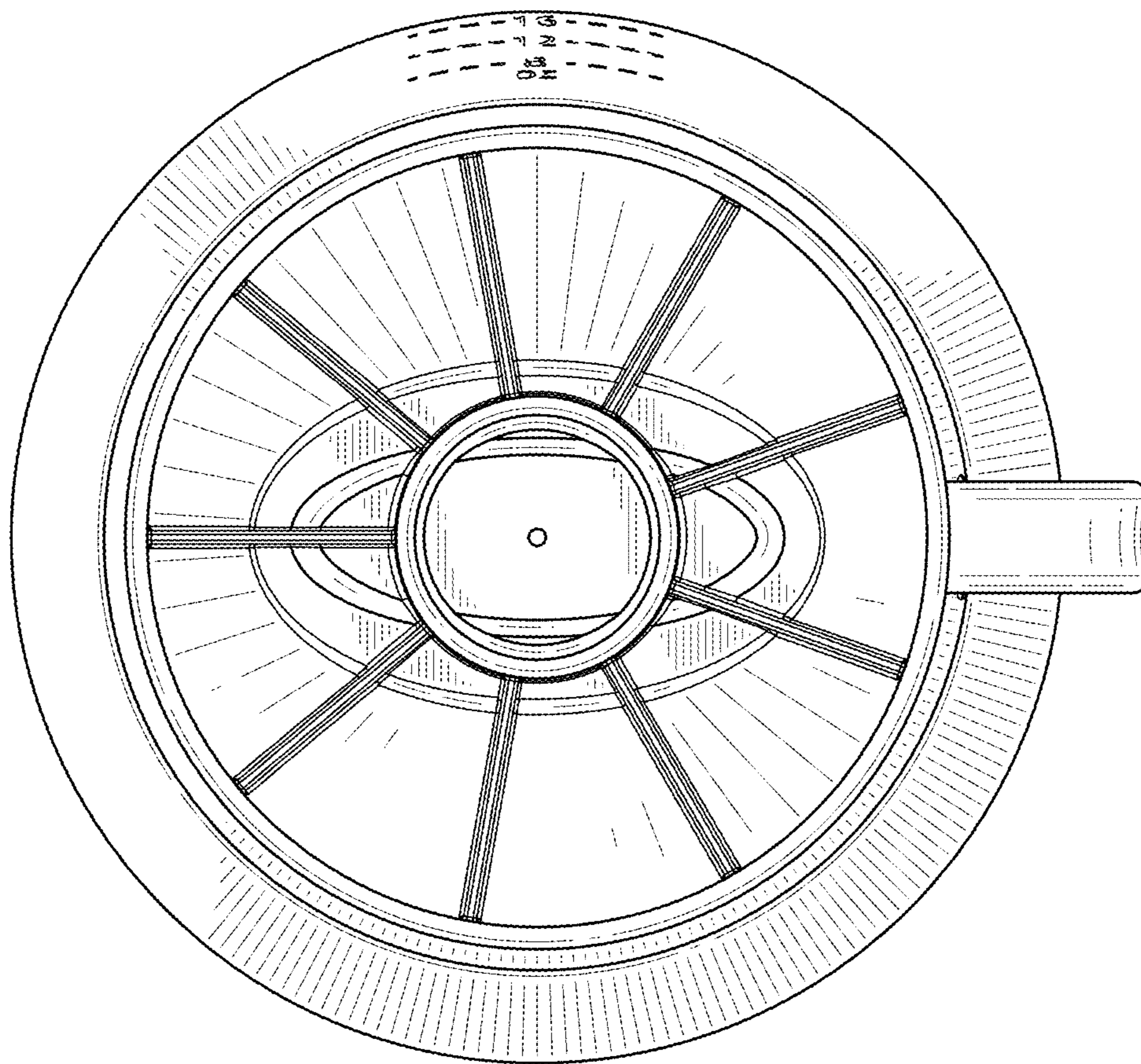


FIG.7

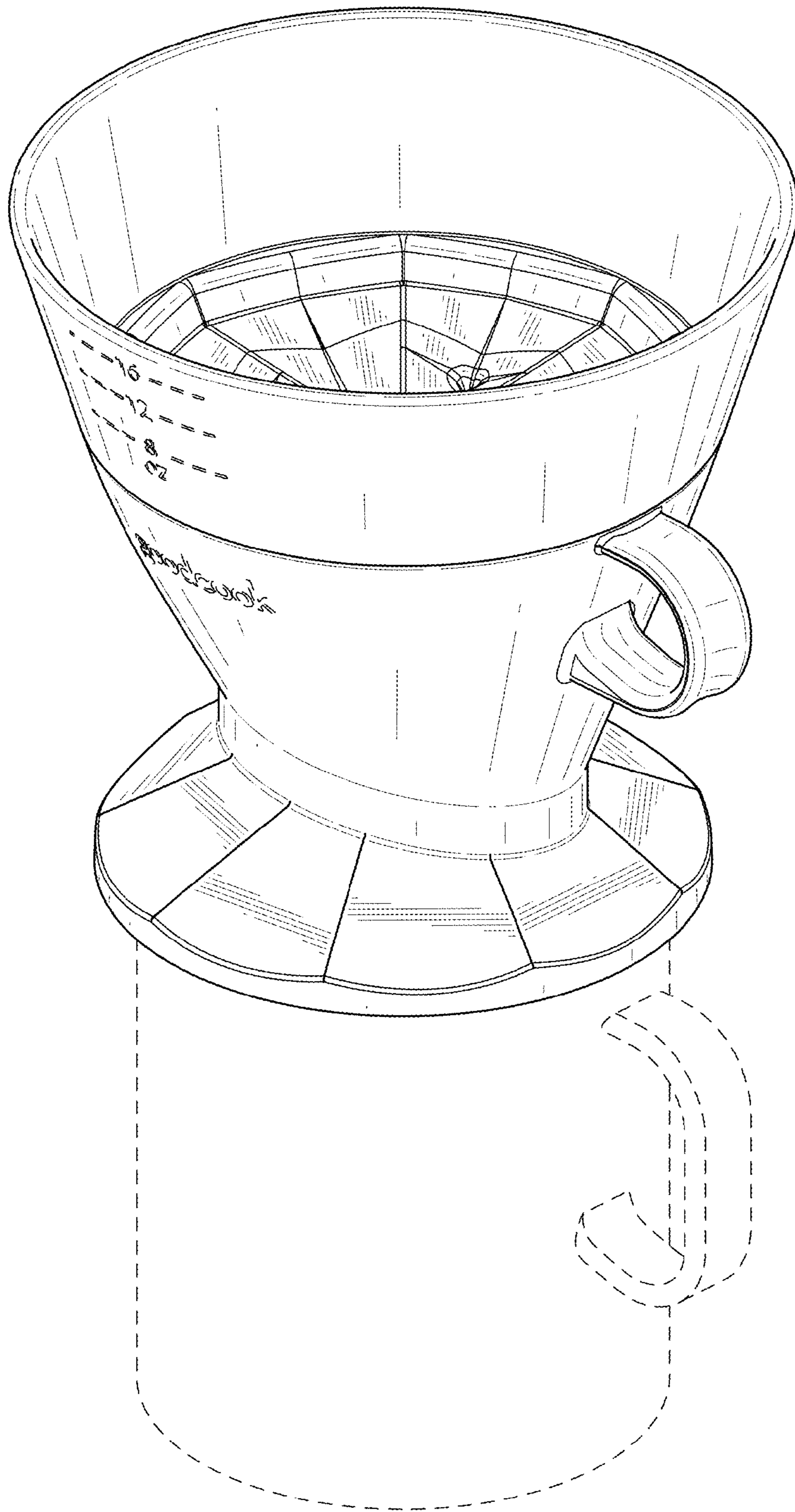


FIG. 8

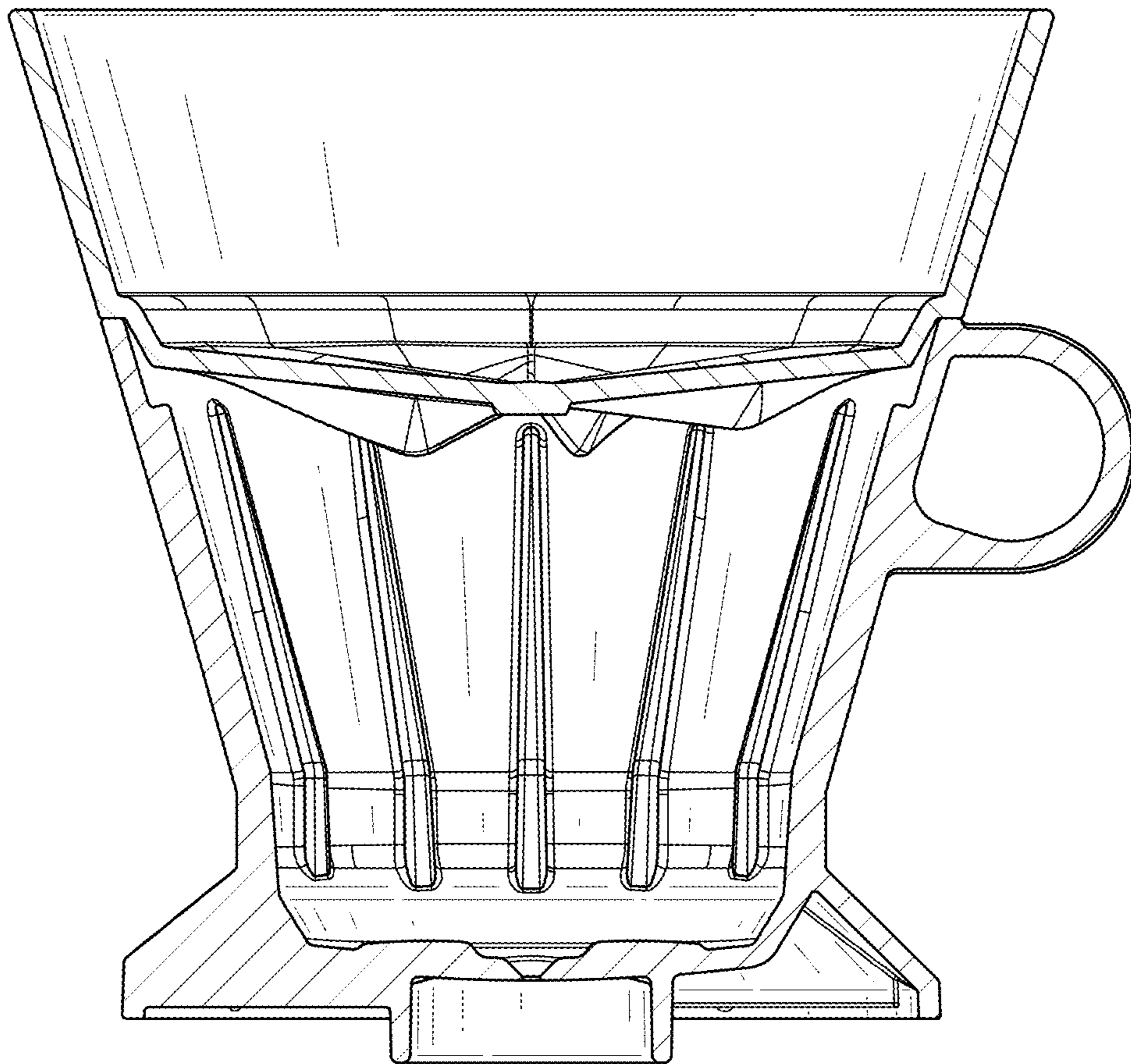


FIG.9

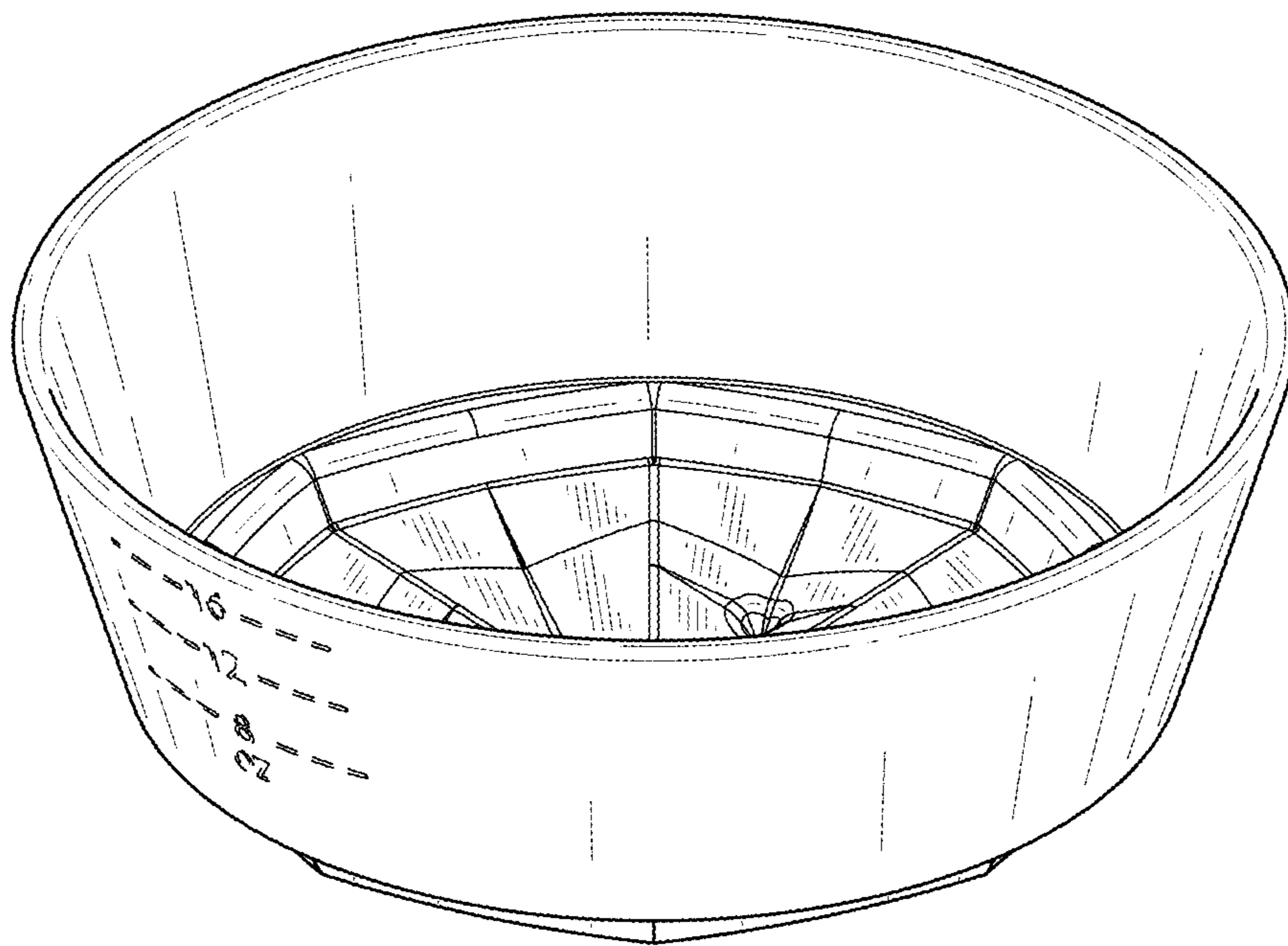


FIG.10

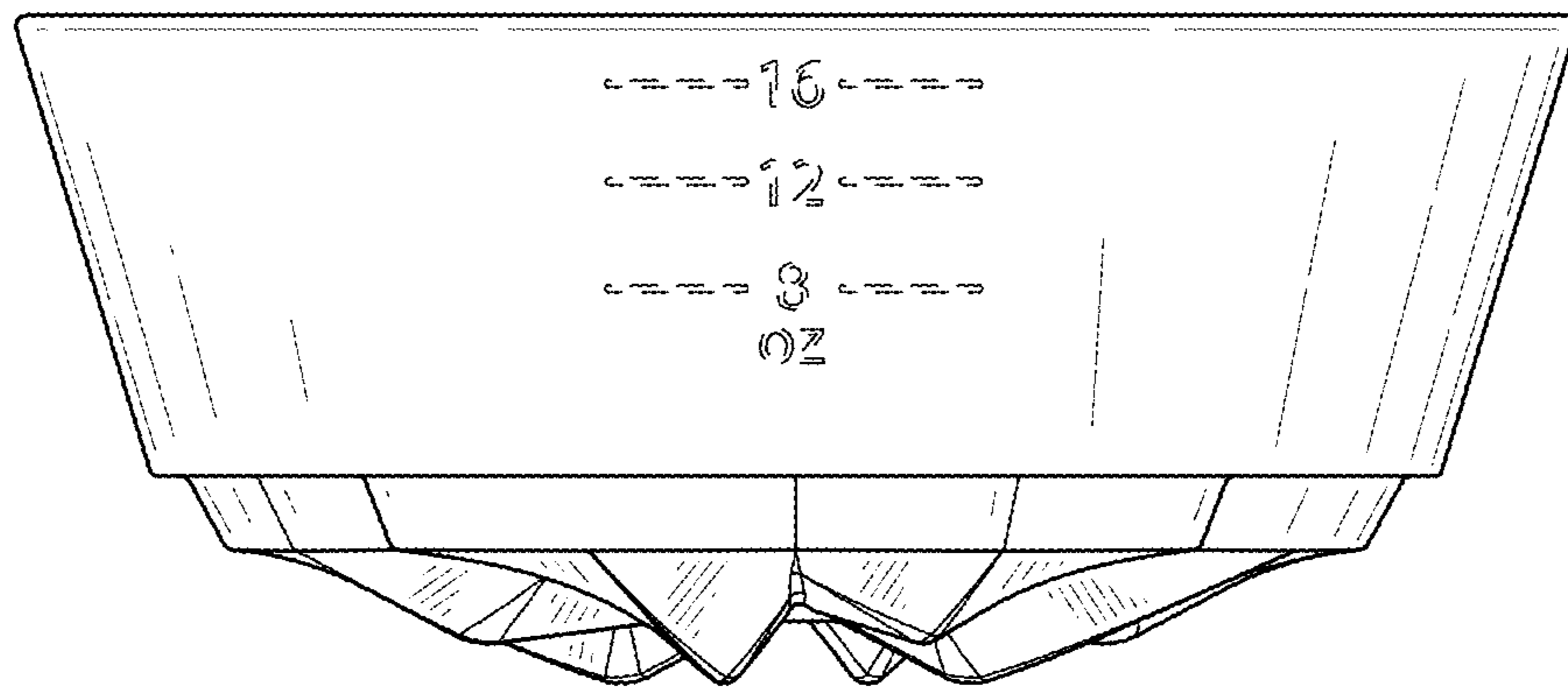


FIG.11

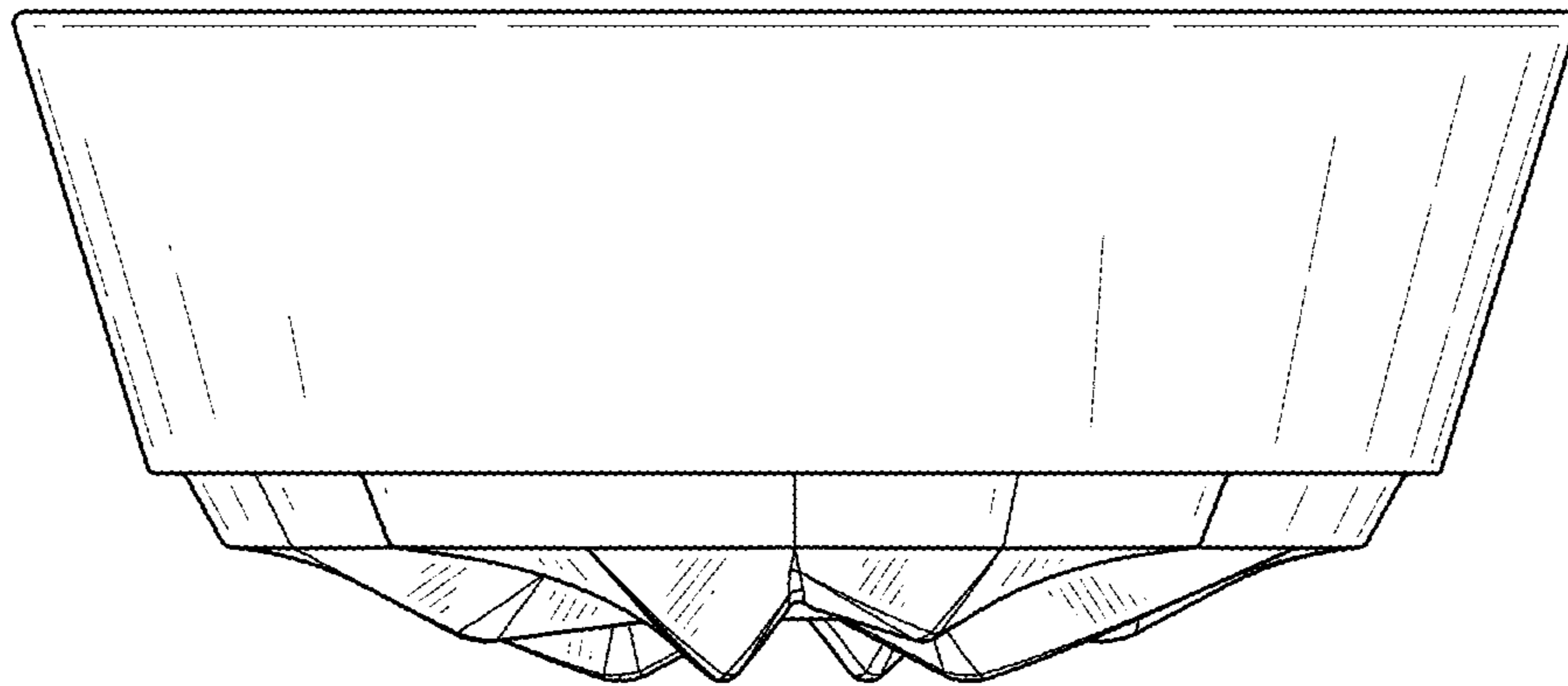


FIG.12

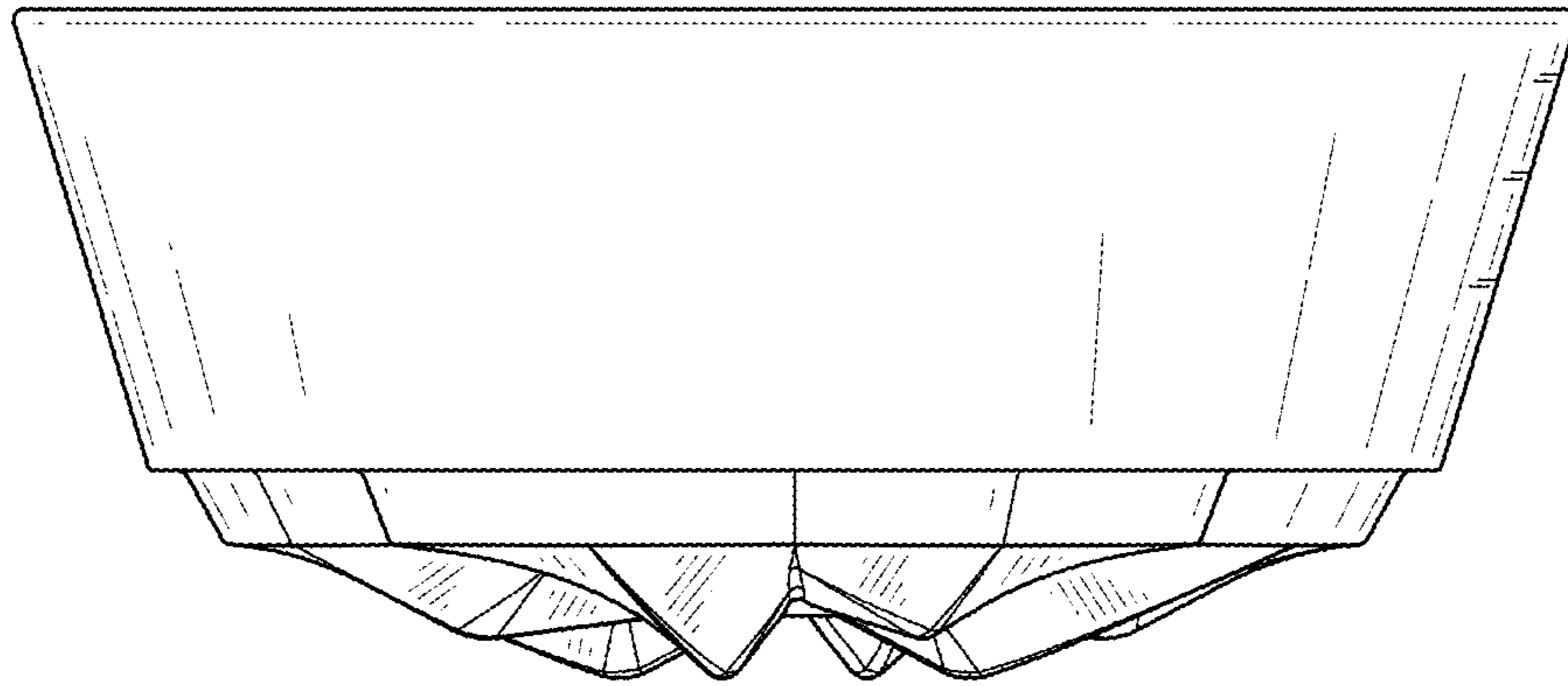


FIG.13

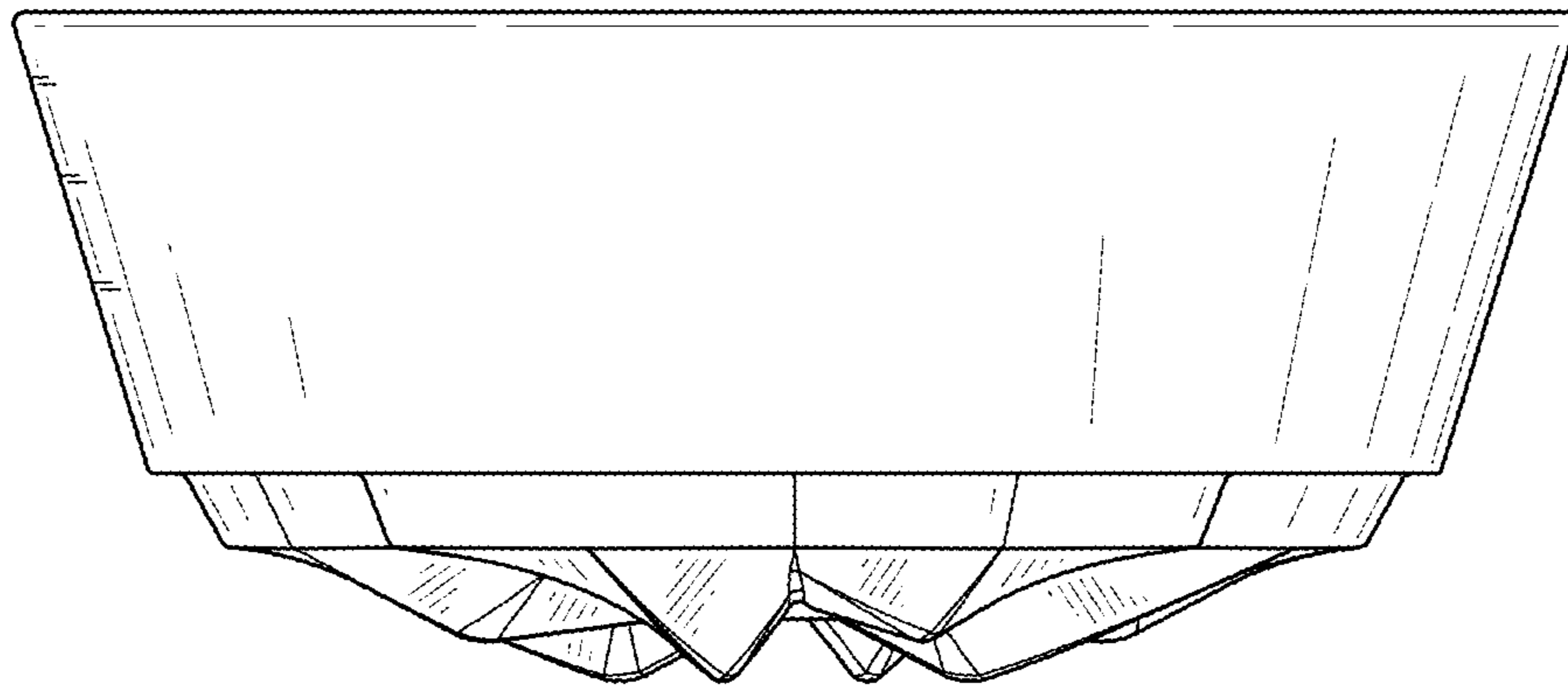


FIG.14

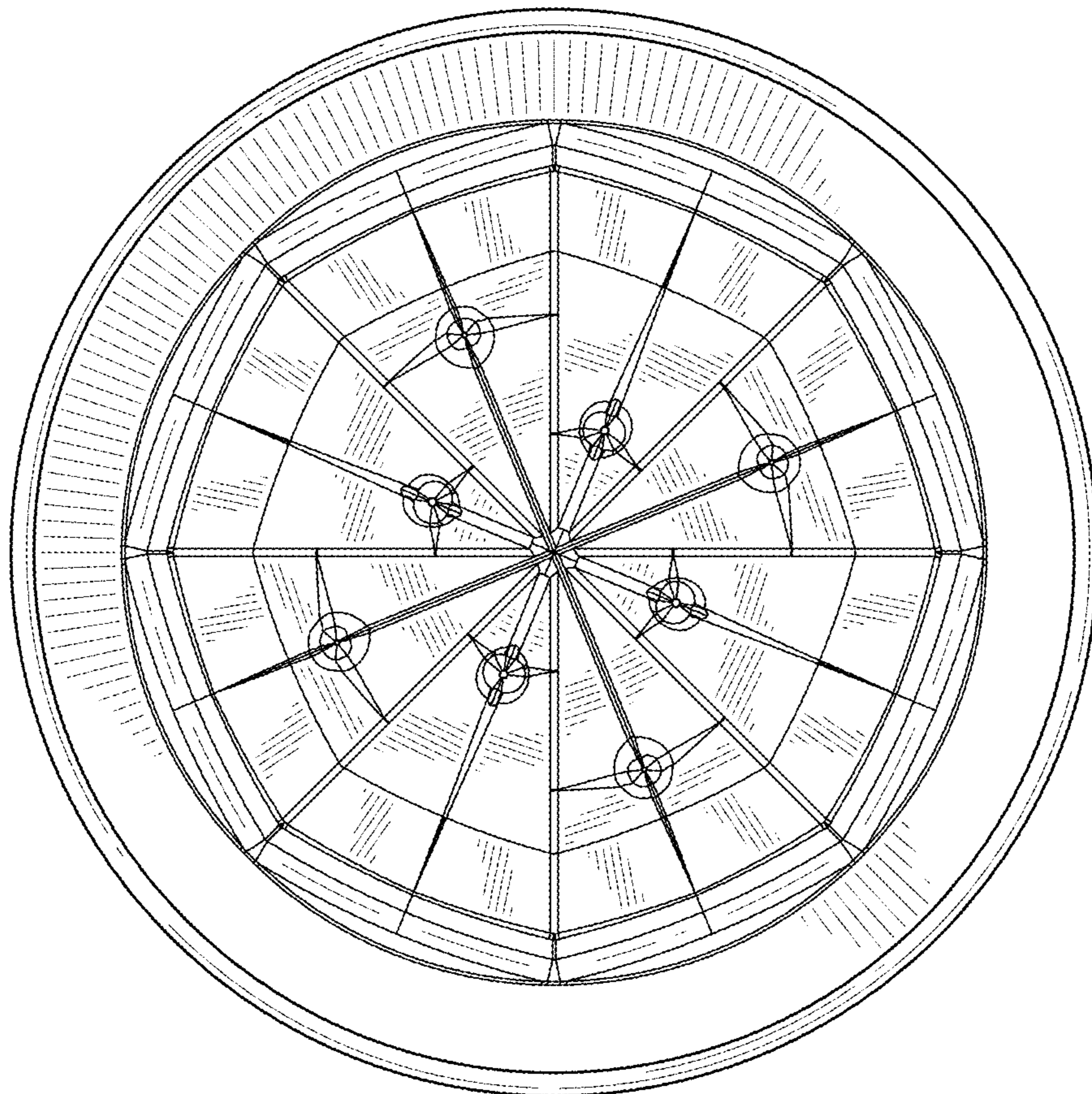


FIG.15

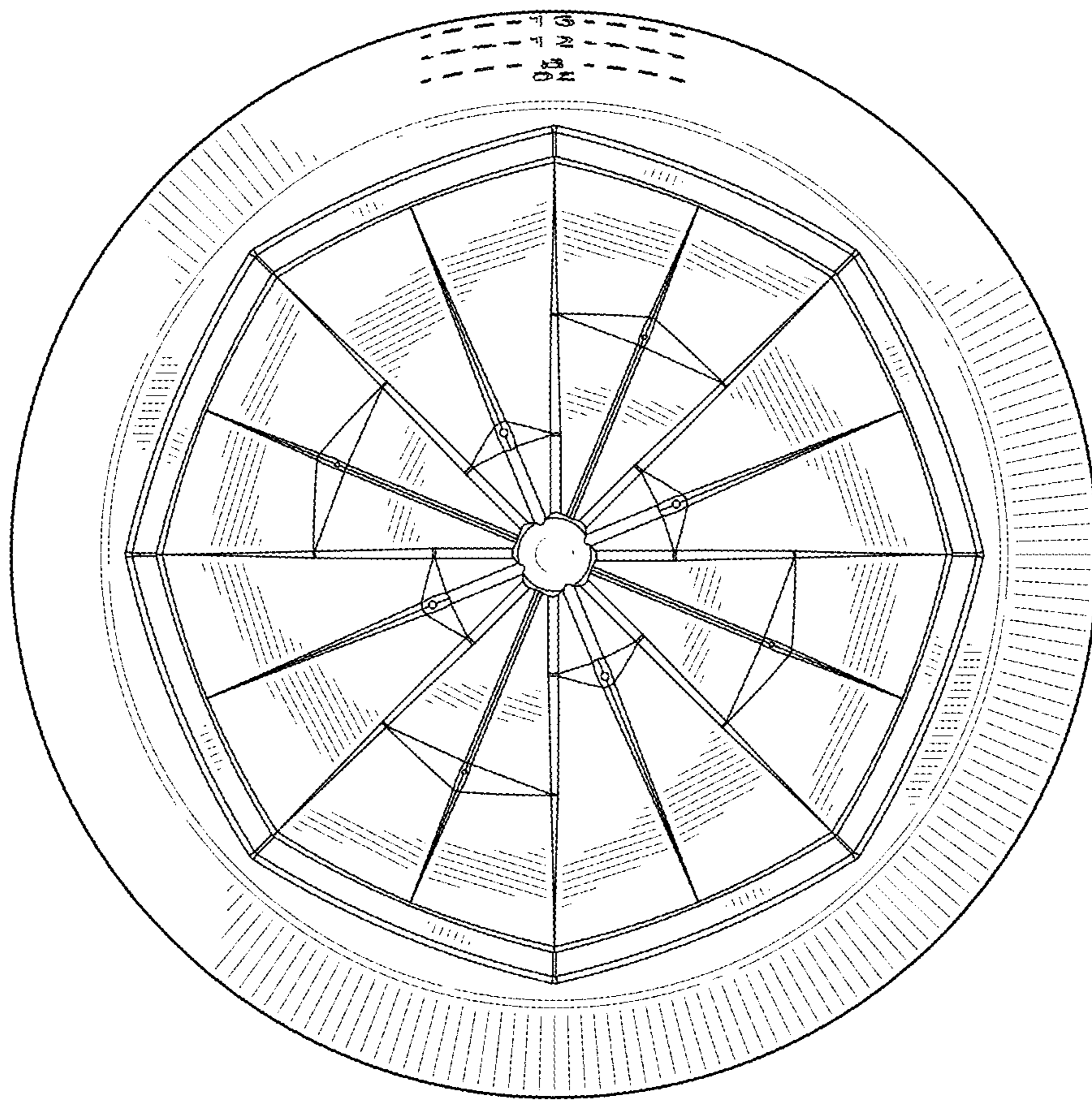


FIG.16

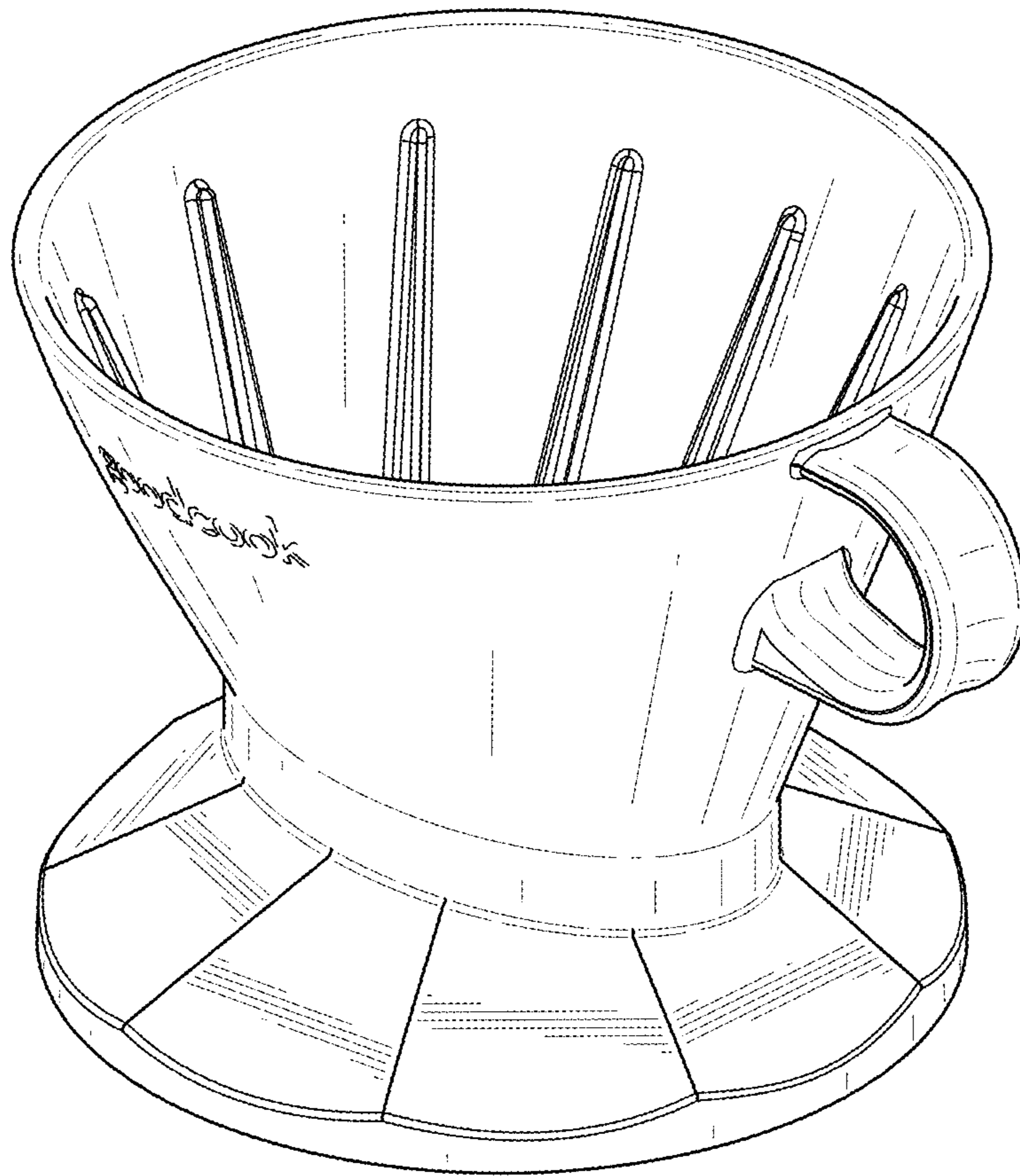


FIG.17

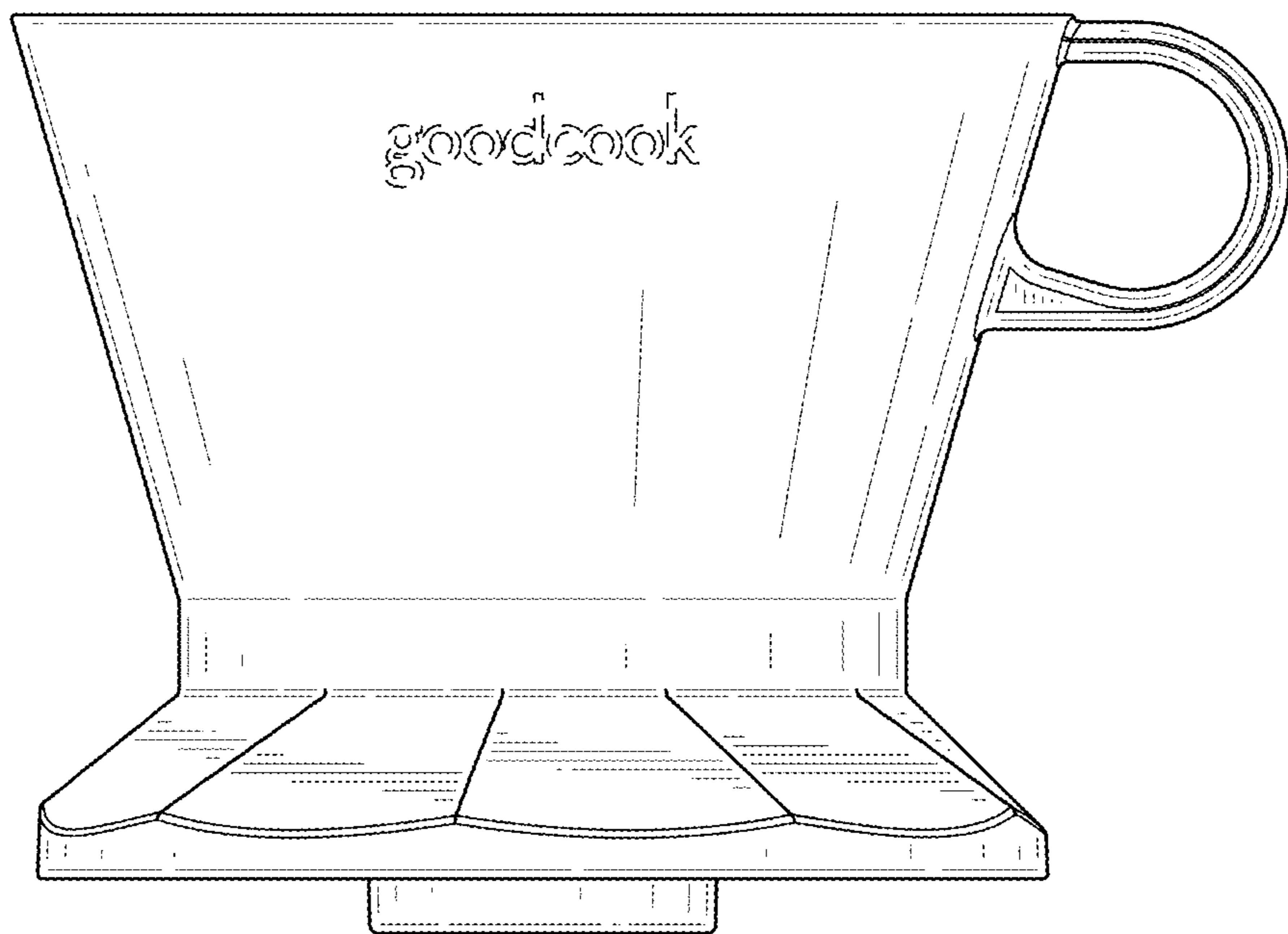


FIG.18

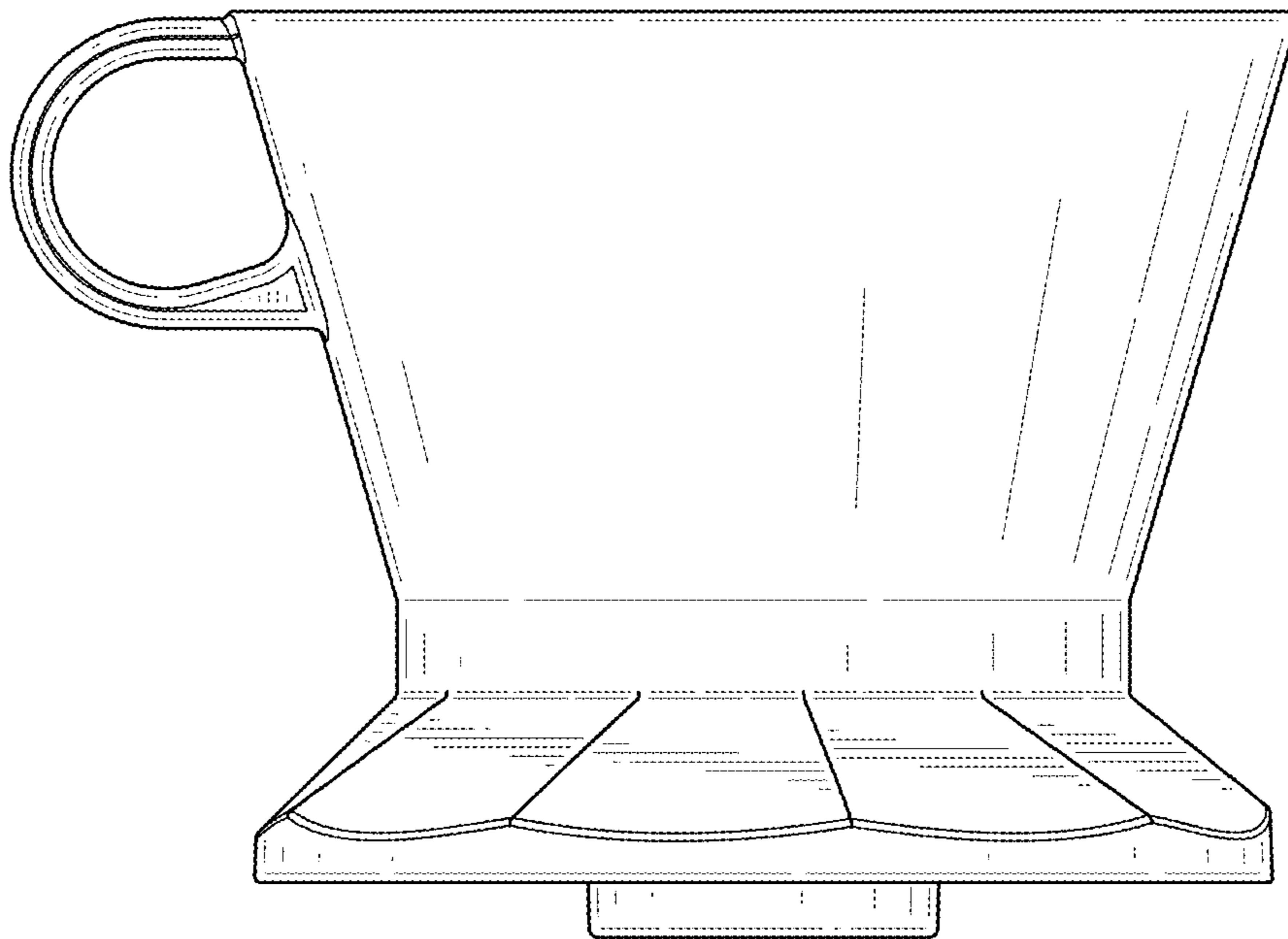


FIG. 19

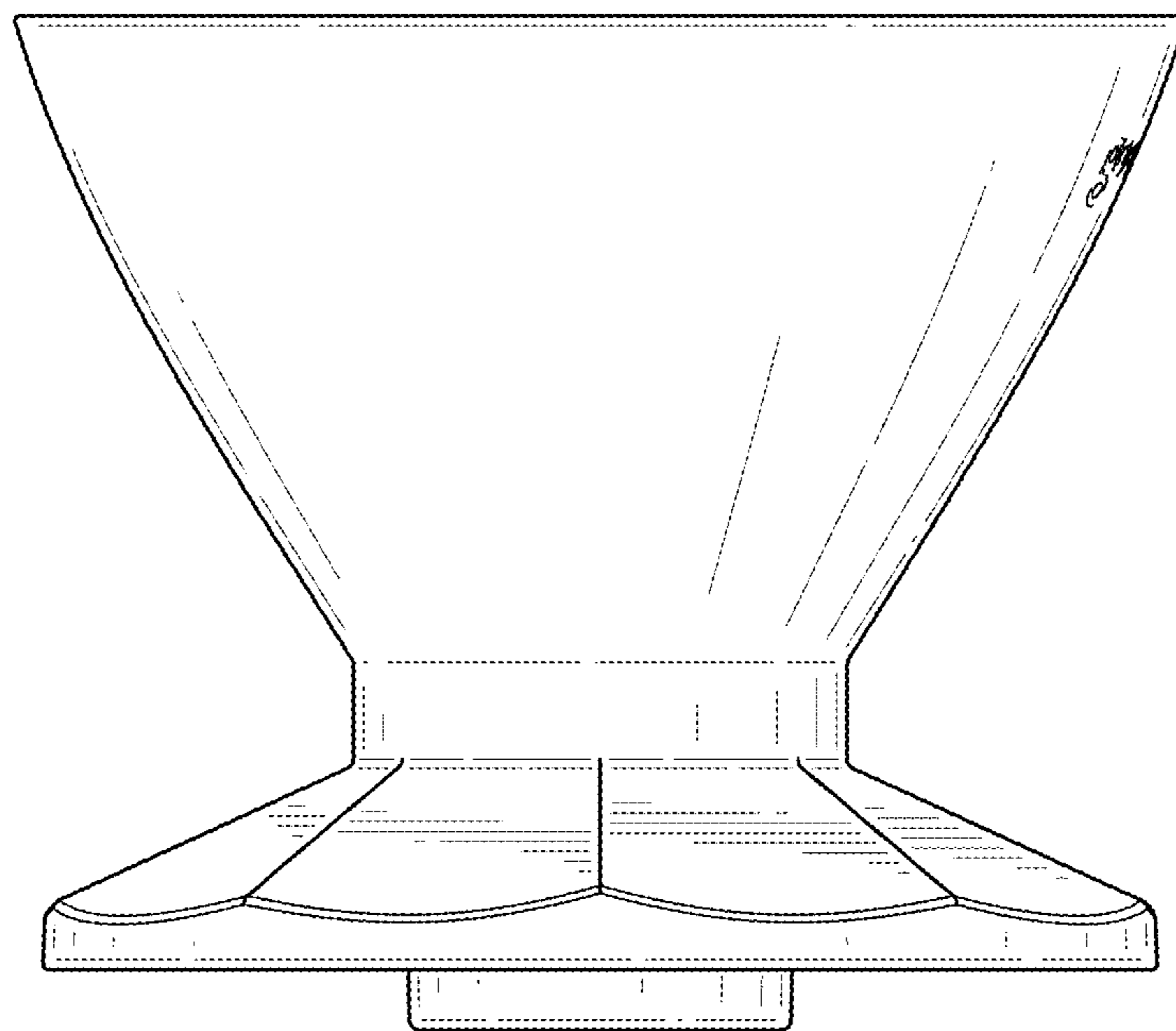


FIG.20

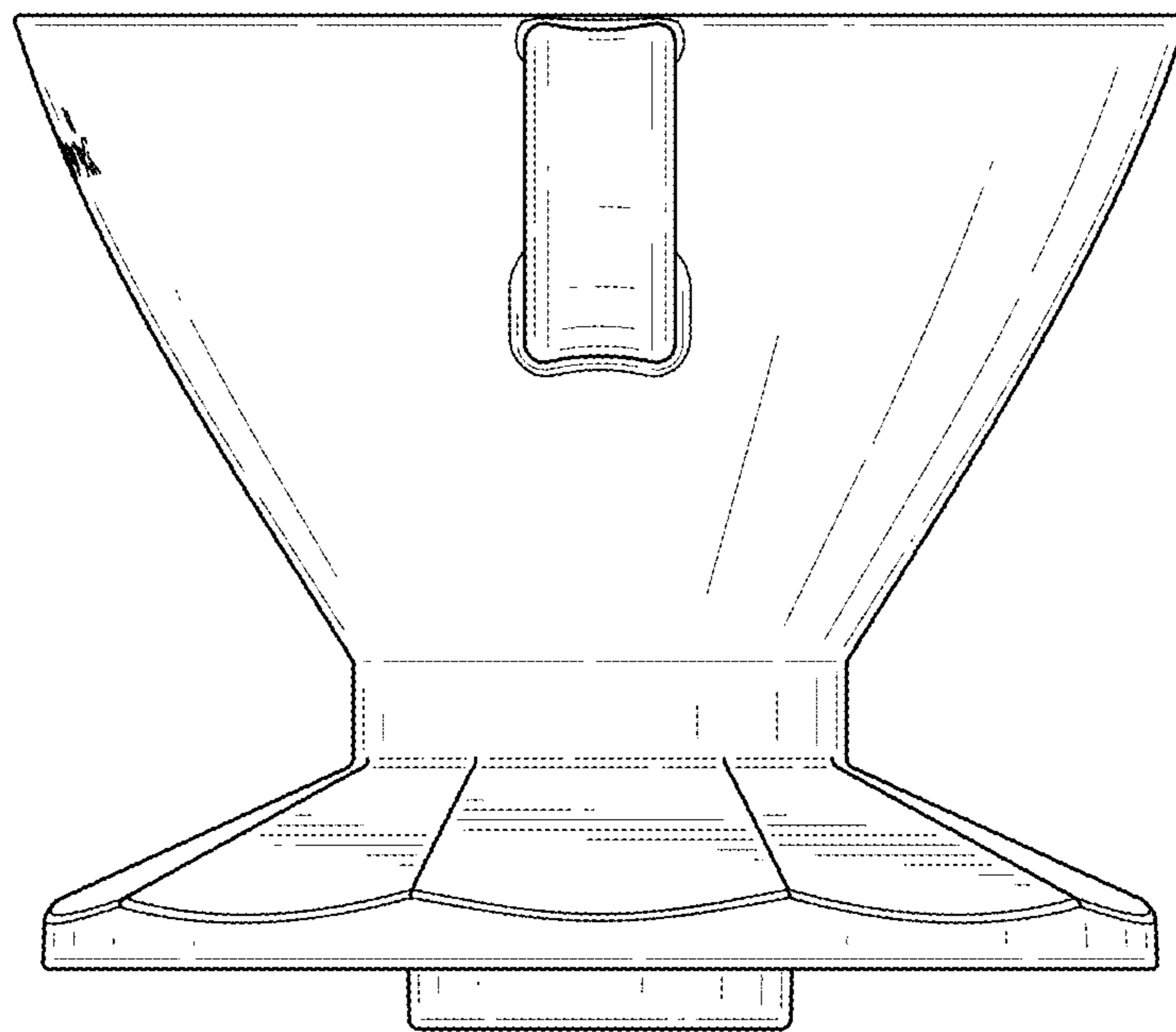


FIG.21

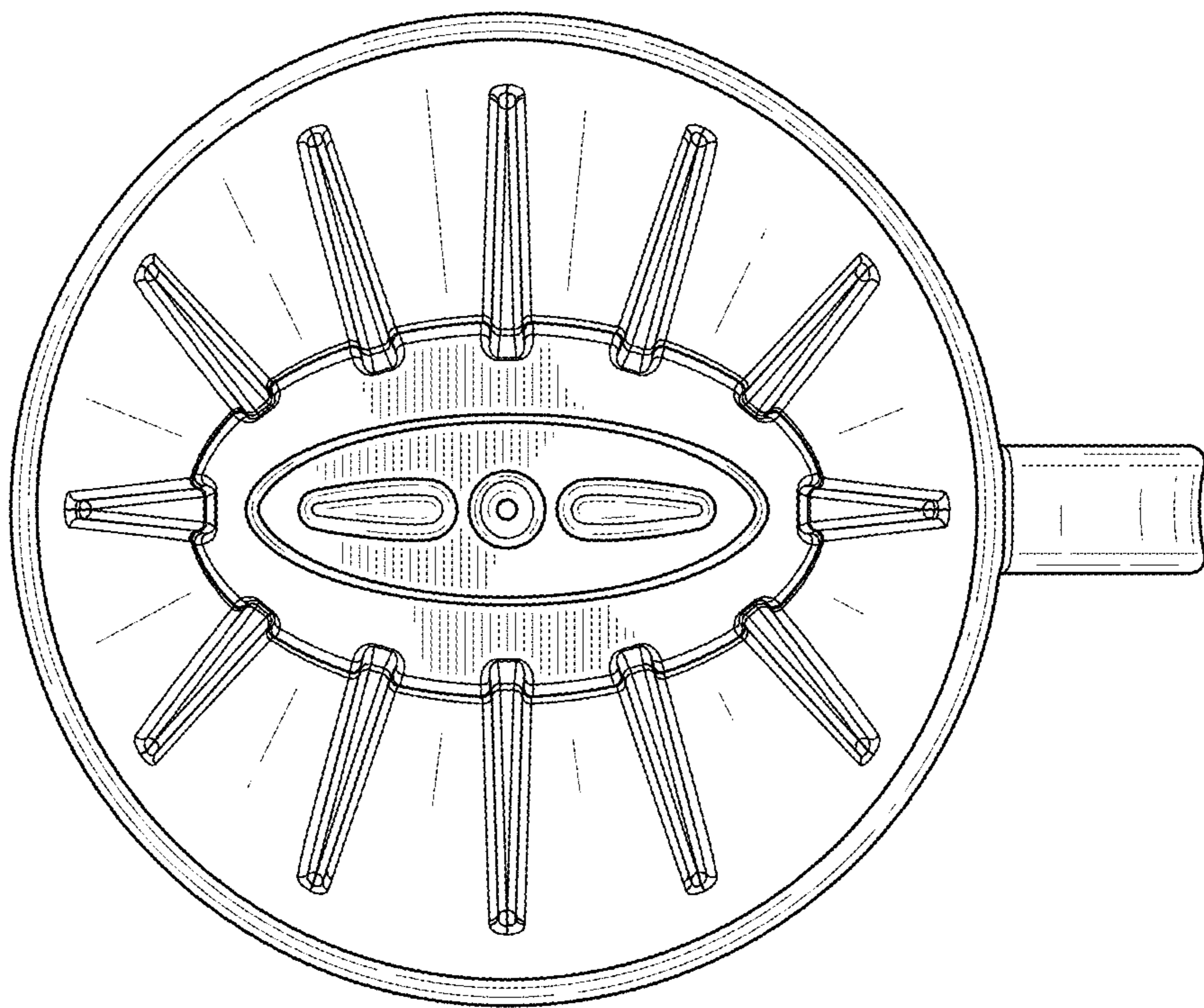


FIG.22

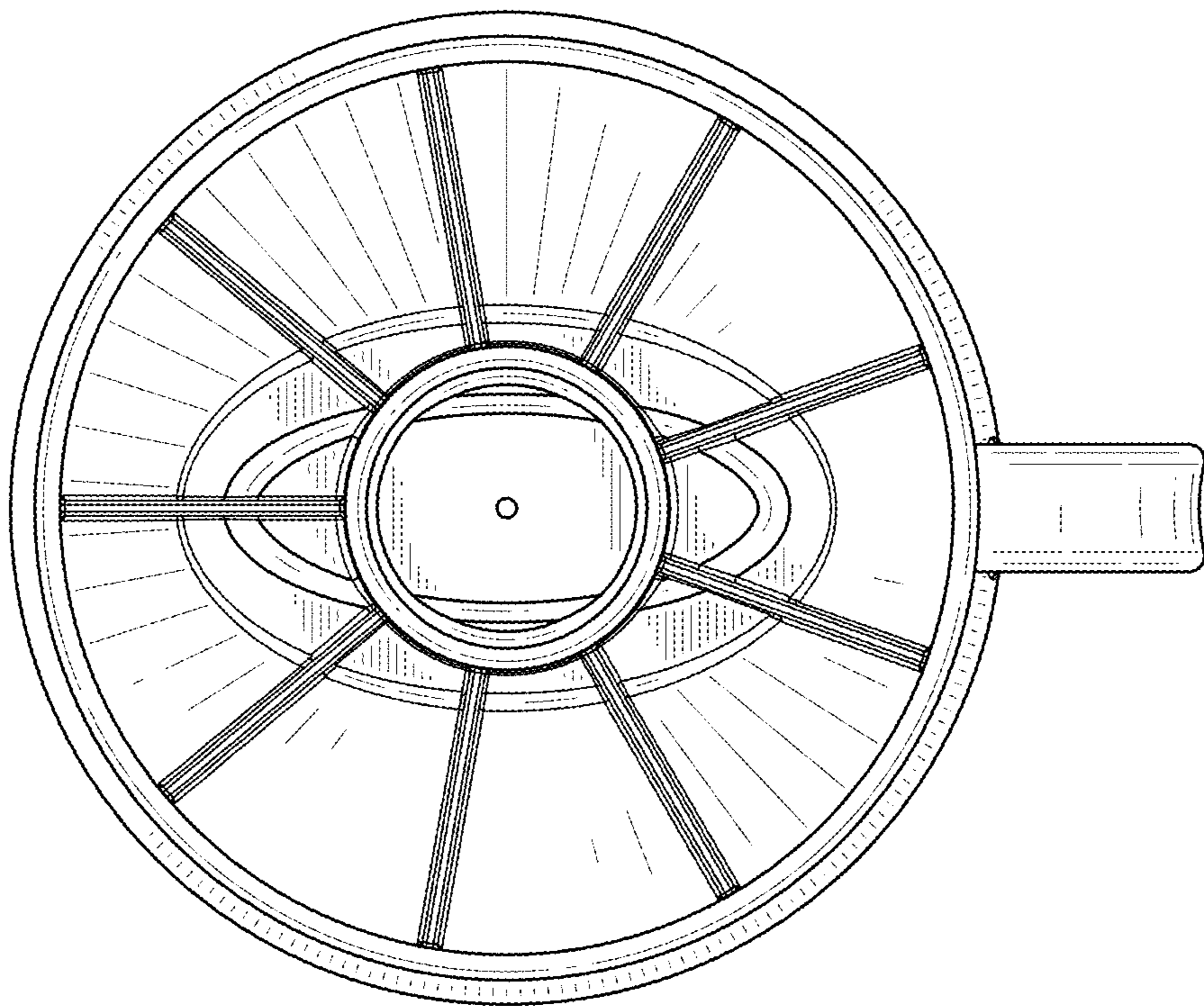


FIG.23