



US00D976637S

(12) **United States Design Patent** (10) **Patent No.:** **US D976,637 S**  
**Ludolph** (45) **Date of Patent:** **\*\* Jan. 31, 2023**

(54) **CONTAINER LID**

FOREIGN PATENT DOCUMENTS

(71) Applicant: **Jordane Enterprises, LLC**, Poway, CA (US)

CN 307133073 \* 3/2022  
CN 307231234 \* 4/2022

(Continued)

(72) Inventor: **Dane Ludolph**, Poway, CA (US)

OTHER PUBLICATIONS

(73) Assignee: **JORDANE ENTERPRISES, LLC**, Poway, CA (US)

Standard Mouth Bottle Screw Cap, posted Sep. 20, 2021 [online], [retrieved Oct. 11, 2022]. Retrieved from internet, <https://web.archive.org/web/20210920210403/https://hydrocellusa.com/collections/all/products/sports-cap-w-straw-standard-mouth> (Year: 2021).\*

(Continued)

(\*\*) Term: **15 Years**

(21) Appl. No.: **29/778,001**

(22) Filed: **Apr. 9, 2021**

(51) **LOC (14) Cl.** ..... **07-99**

(52) **U.S. Cl.**  
USPC ..... **D7/392**

(58) **Field of Classification Search**  
USPC ..... D3/202, 203, 302, 232; D7/213, 300, D7/354-363, 387, 391-393, 396-398, D7/401.1, 413, 507, 509, 510, 511, D7/538-542, 601, 602, 605, 629, 630, D7/512, 513, 396.2, 396.3, 415, 392.1, D7/400, 531, 900; D9/414, 424-429, D9/434-436, 438-441, 443-447, D9/449-454, 503-505, 523, 682, 686, D9/901, 902, 906, 499; D22/146  
CPC .... A47G 19/027; A47G 19/12; A47G 19/127; A47G 19/2272; A47G 23/06; A45F 3/16; A47J 41/00; A47J 41/0005; A47J 41/0011; A47J 41/0016; A47J 41/0022; A47J 41/0027; A47J 41/0083; A47J 47/14; A61J 1/00; A61J 1/1412; B65D 1/00; B65D 1/02;

(Continued)

(56) **References Cited**

U.S. PATENT DOCUMENTS

D700,014 S \* 2/2014 Zeanah  
D821,809 S \* 7/2018 Rane ..... D9/449

(Continued)

*Primary Examiner* — Nicole C Shiflet

*Assistant Examiner* — Yen Le Southwood

(74) *Attorney, Agent, or Firm* — Wagenknecht IP Law Group PC

(57) **CLAIM**

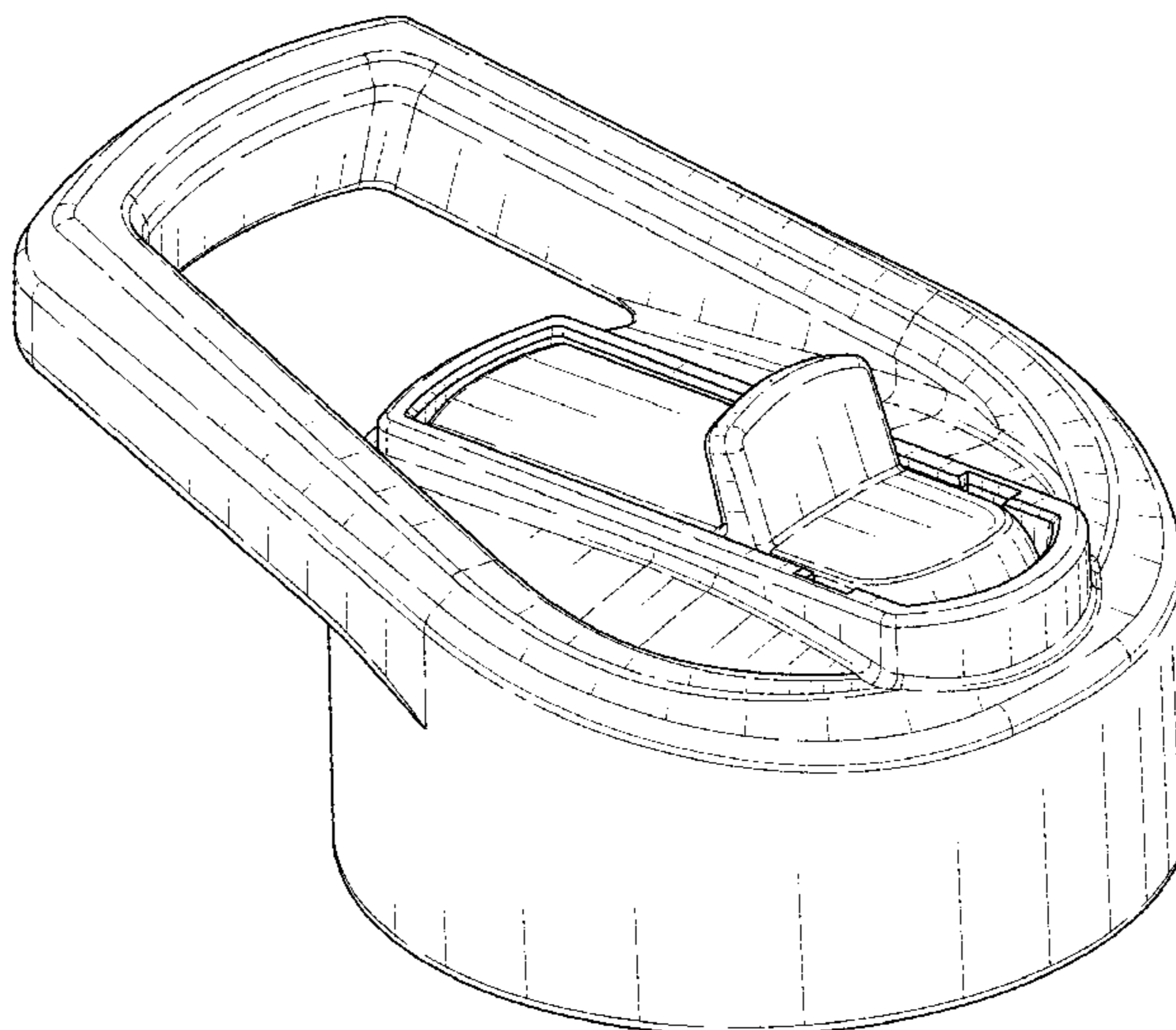
The ornamental design for a container lid, as shown and described.

**DESCRIPTION**

FIG. 1 is a top, front, and right perspective view of a container lid showing my new design; FIG. 2 is a front elevational view thereof; FIG. 3 is a rear elevational view thereof; FIG. 4 is a right side elevational view thereof; FIG. 5 is a left side elevational view thereof; FIG. 6 is a top plan view thereof; FIG. 7 is a bottom plan view thereof; FIG. 8 is a top, rear, and left perspective view thereof; and, FIG. 9 is a top, front, and right perspective view thereof, showing the container lid attached to an exemplary container.

The broken lines in the figures represent portions of the container lid and environment, which form no part of the claimed design.

**1 Claim, 8 Drawing Sheets**



**(58) Field of Classification Search**

CPC ..... B65D 1/12; B65D 1/22; B65D 1/265;  
 B65D 23/08; B65D 25/34; B65D 39/00;  
 B65D 39/0017; B65D 39/007; B65D  
 39/08; B65D 39/0023; B65D 39/16;  
 B65D 41/00; B65D 41/02; B65D  
 41/0407; B65D 4/0457; B65D 41/38;  
 B65D 41/56; B65D 41/62; B65D 43/00;  
 B65D 43/02; B65D 43/022; B65D  
 43/0212; B65D 43/161; B65D 43/162;  
 B65D 43/0206; B65D 43/0249; B65D  
 43/0256; B65D 45/00; B65D 45/02;  
 B65D 45/16; B65D 45/18; B65D 45/32;  
 B65D 47/00; B65D 47/06; B65D 47/066;  
 B65D 47/08; B65D 51/16; B65D  
 51/1683; B65D 51/1688; B65D 51/1694;  
 B65D 51/244; B65D 51/28; B65D  
 81/2038; B65D 81/3865; B65D 83/40;  
 B65D 83/48; B65D 2203/12; B65D  
 2251/00; B65D 2251/03; B65D  
 2251/1083; B65D 2543/00; B65D  
 2543/00046; B65D 2543/00055; B65D  
 2543/0012; B65D 2543/00592; B65D  
 2543/00907; B65D 2543/00925; B65D  
 2543/00092; B65D 2543/00296; B65D  
 85/812; B65D 51/24; B65D 39/0029

See application file for complete search history.

**(56)**

**References Cited**

U.S. PATENT DOCUMENTS

D911,101	S	*	2/2021	Fang	.....	D9/450
D915,821	S	*	4/2021	Ludolph	.....	D7/392.1
D923,394	S	*	6/2021	Gu	.....	D7/392.1
D948,280	S	*	4/2022	Beckwith	.....	D7/392.1
2021/0002041	A1	*	1/2021	Starner	.....	B65D 47/066

FOREIGN PATENT DOCUMENTS

CN	307529916	*	9/2022
GB	6209981	*	5/2022
GB	6222984	*	8/2022

OTHER PUBLICATIONS

Frost Buddy, posted Sep. 13, 2021 [online], [retrieved Oct. 11, 2022]. Retrieved from internet, <https://www.amazon.com/Frost-Buddy-Insulated-Stainless-Responder/dp/B09G3LXR7R?th=1> (Year: 2021).\*

Amazon Adidas 600 mL, posted Dec. 22, 2021 [online], [retrieved Oct. 11, 2022]. Retrieved from internet, <https://www.amazon.com/adidas-Bottle-Double-Walled-Insulated-Stainless/dp/B087CH3NV4?th=1&psc=1> (Year: 2021).\*

\* cited by examiner

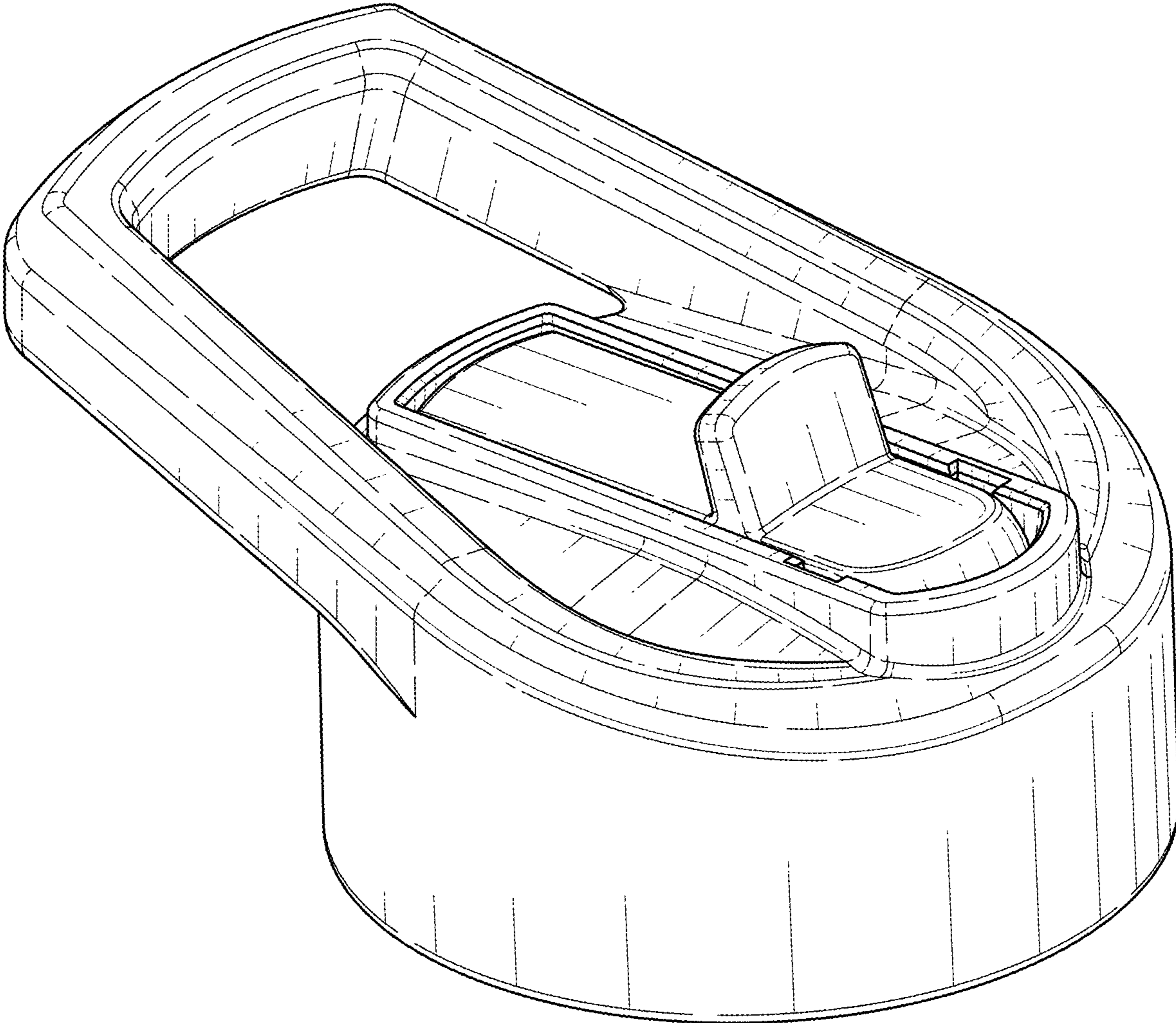


FIG. 1

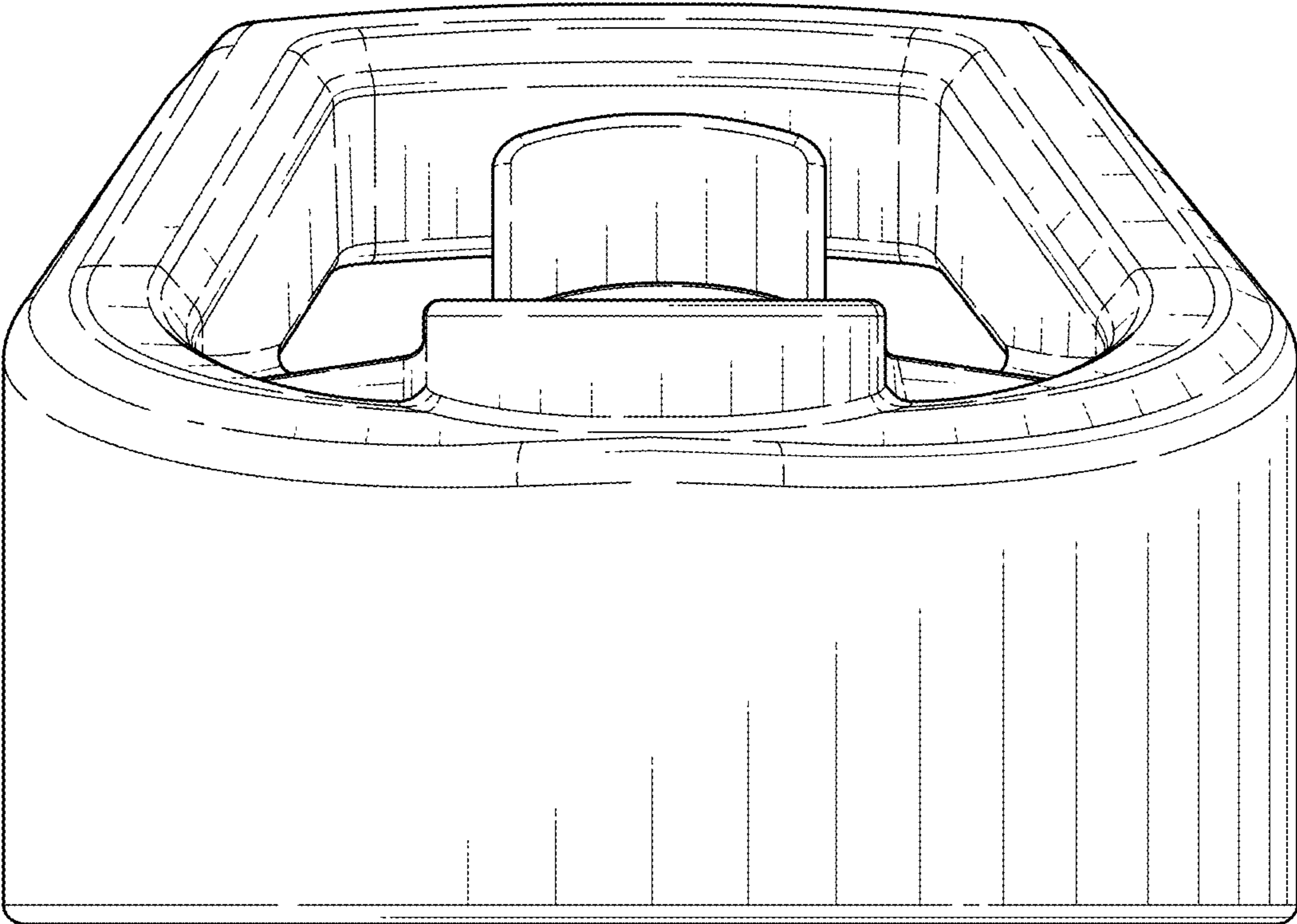


FIG. 2

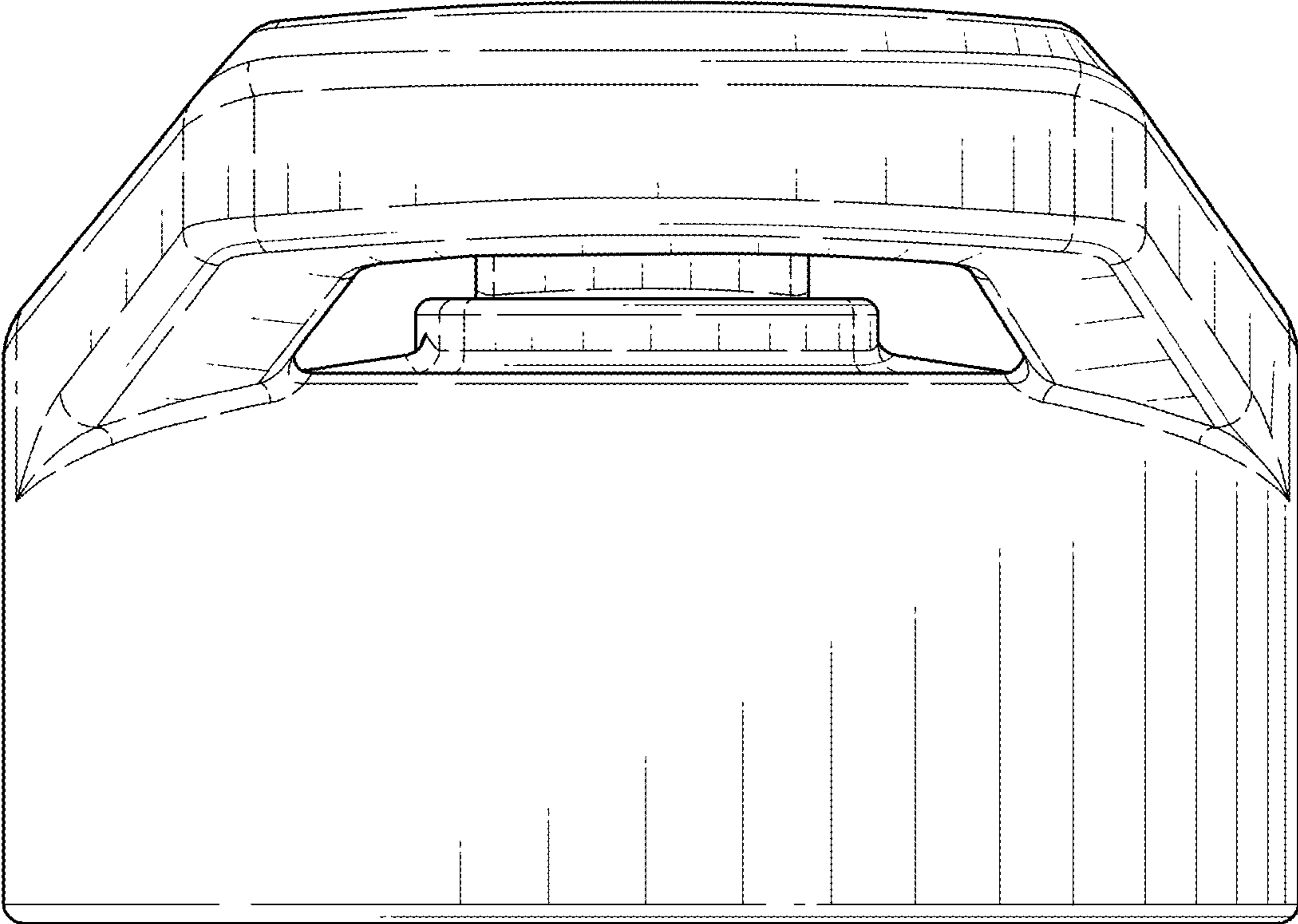


FIG. 3

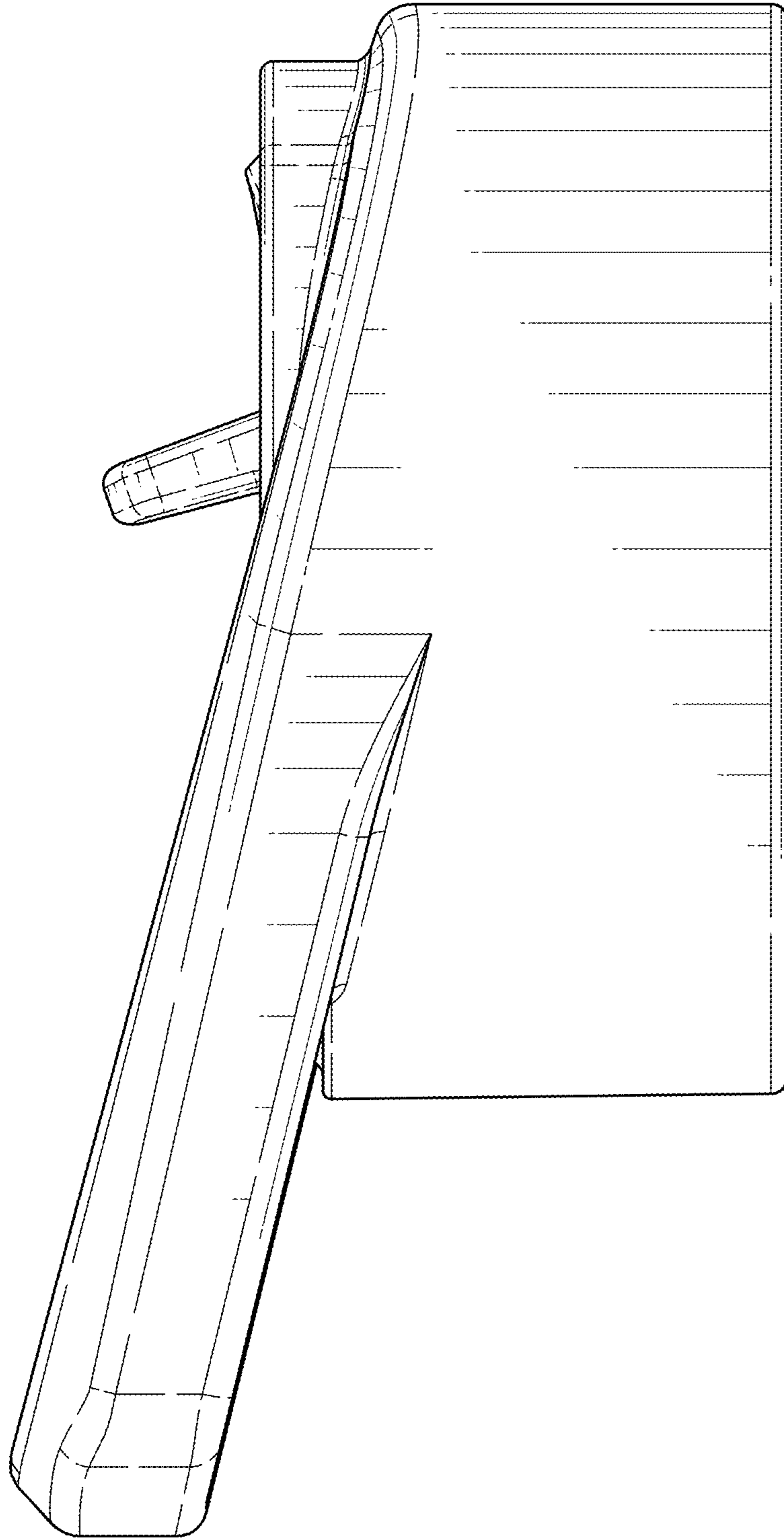


FIG. 4

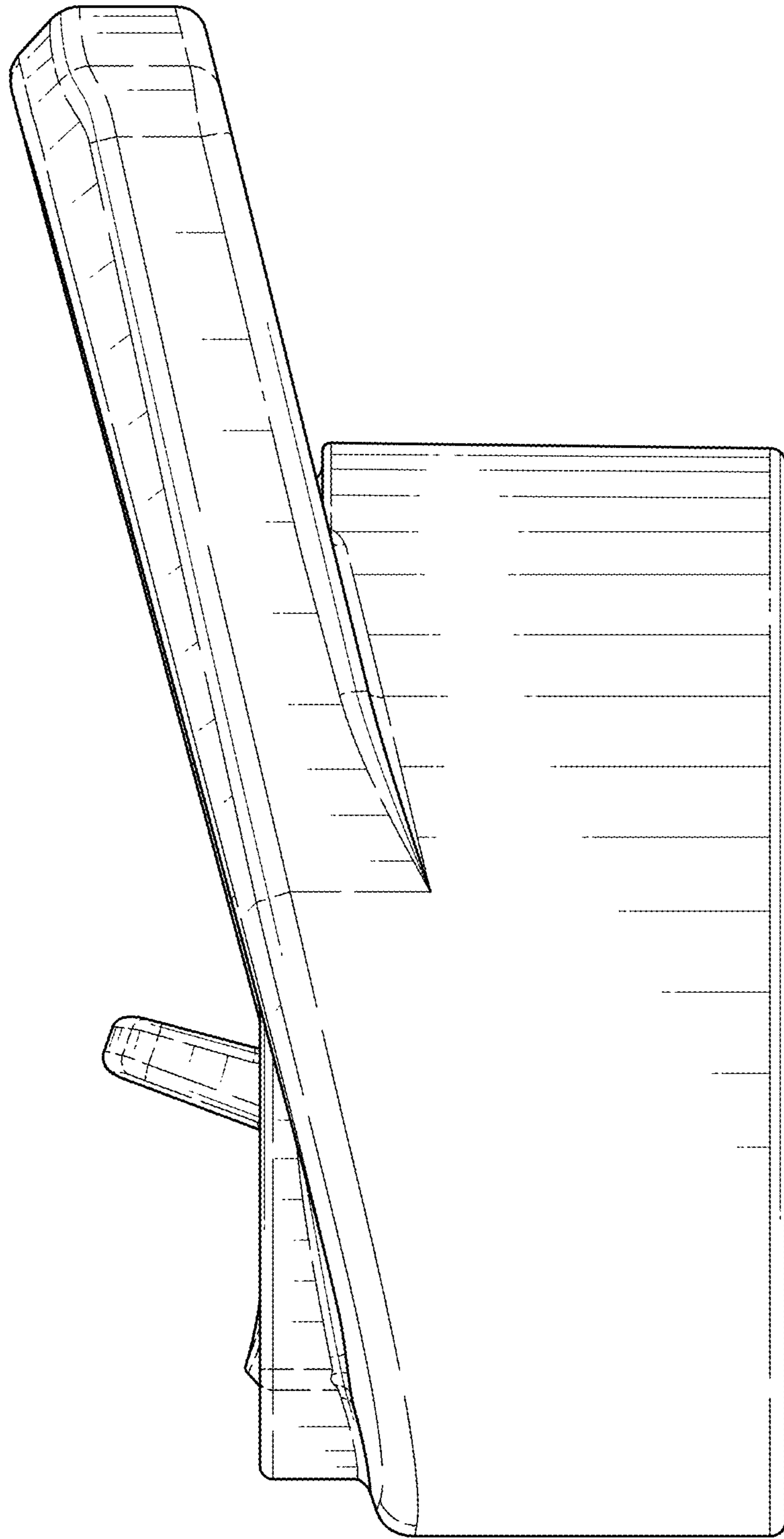


FIG. 5

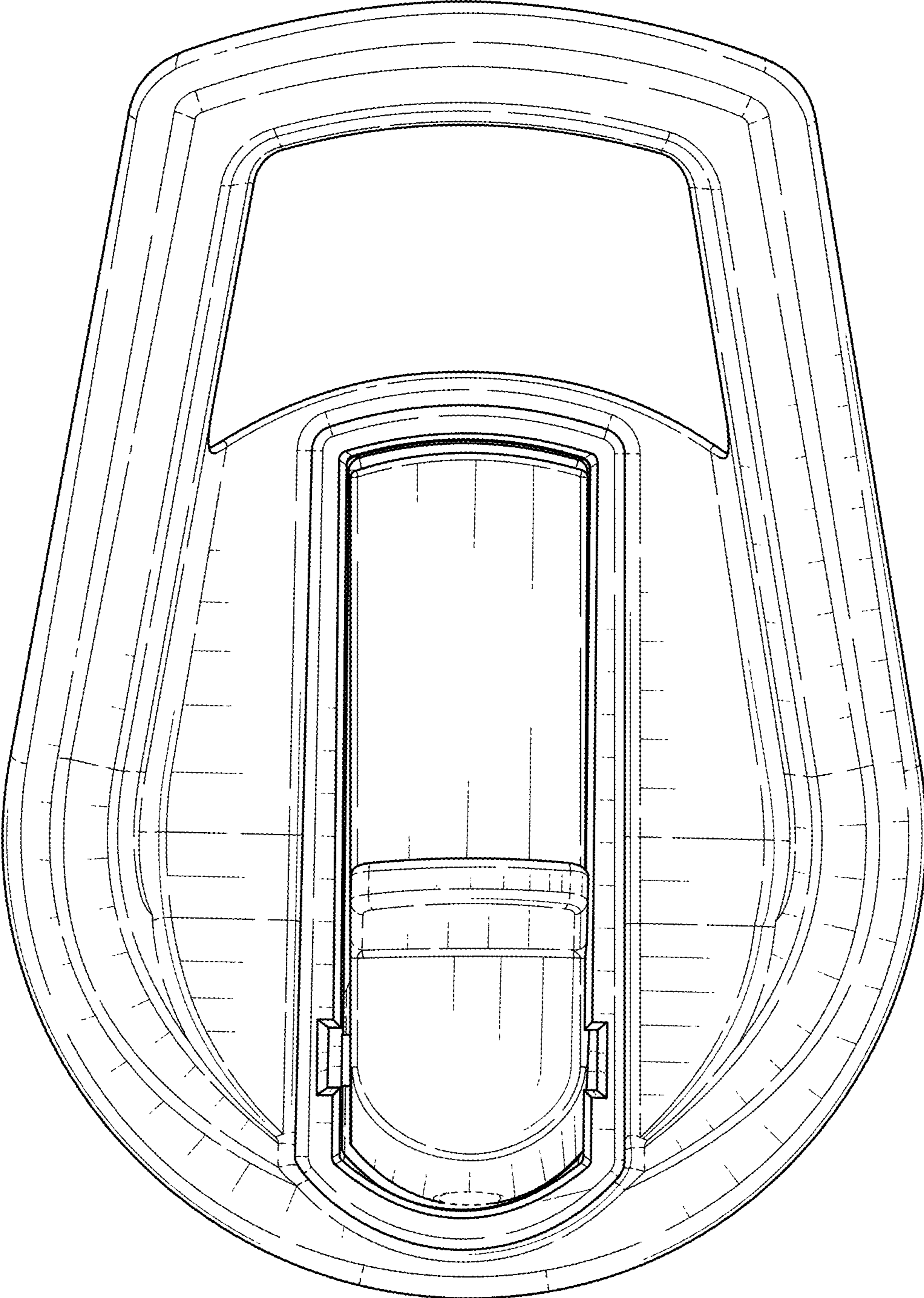


FIG. 6

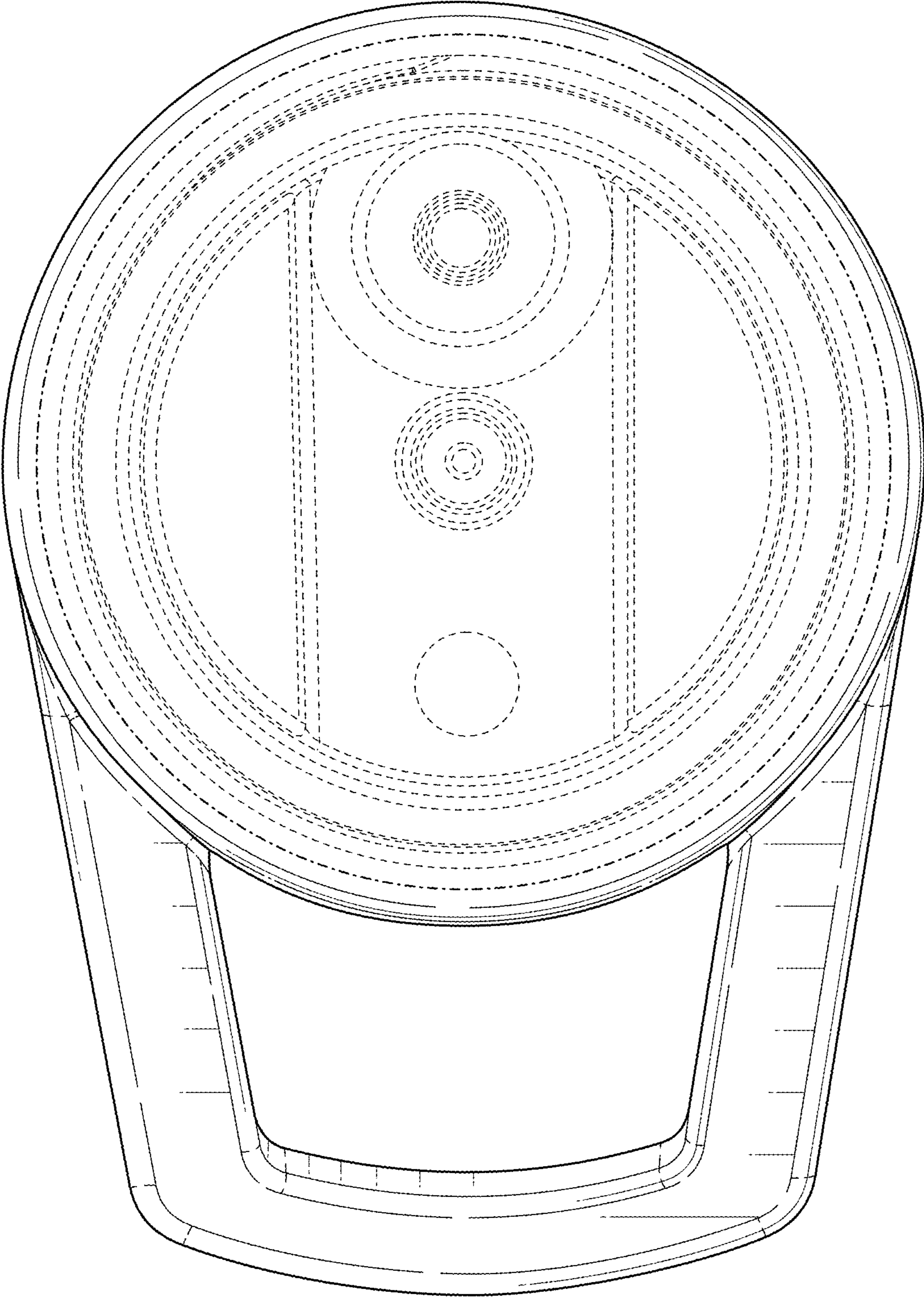


FIG. 7



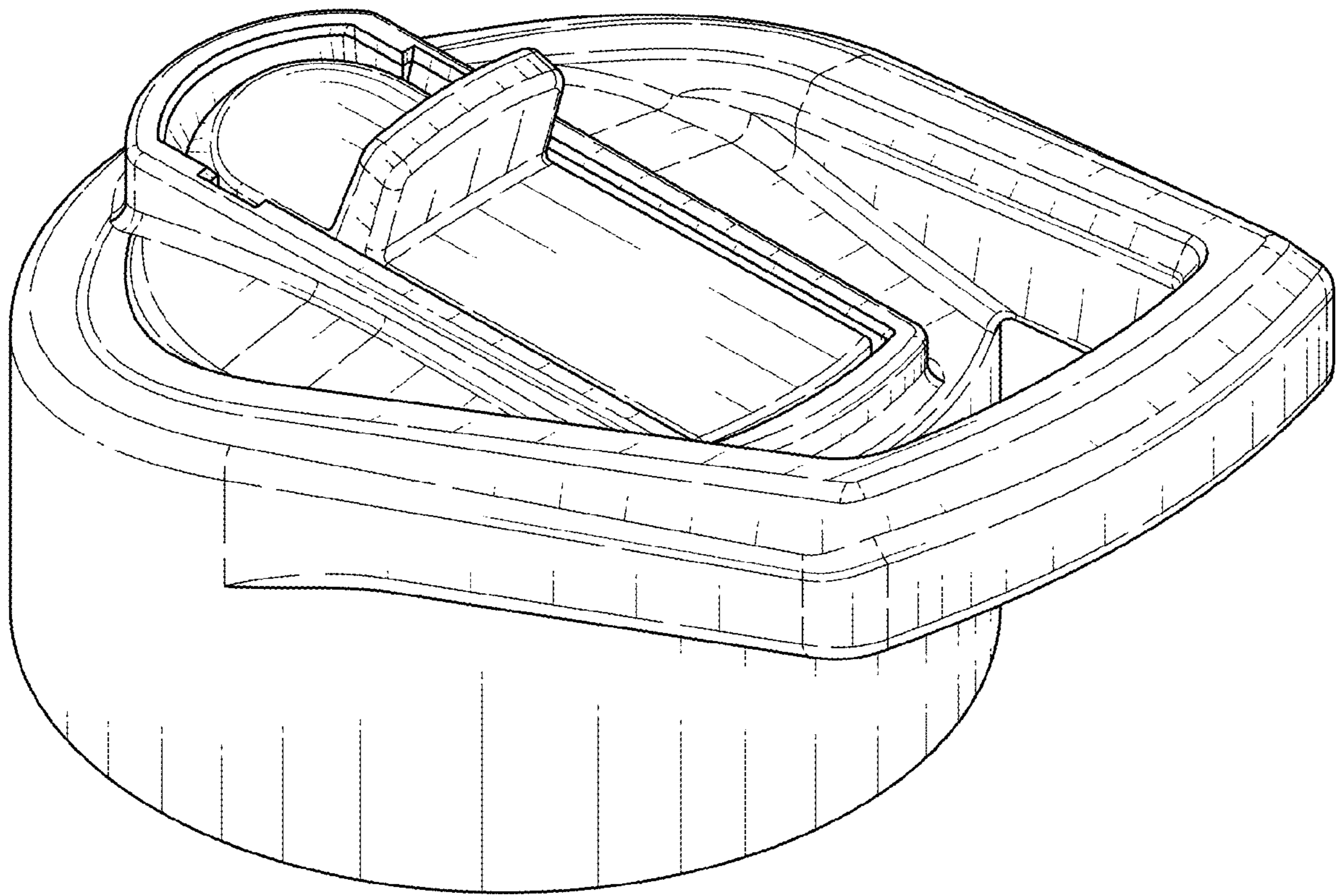


FIG. 8

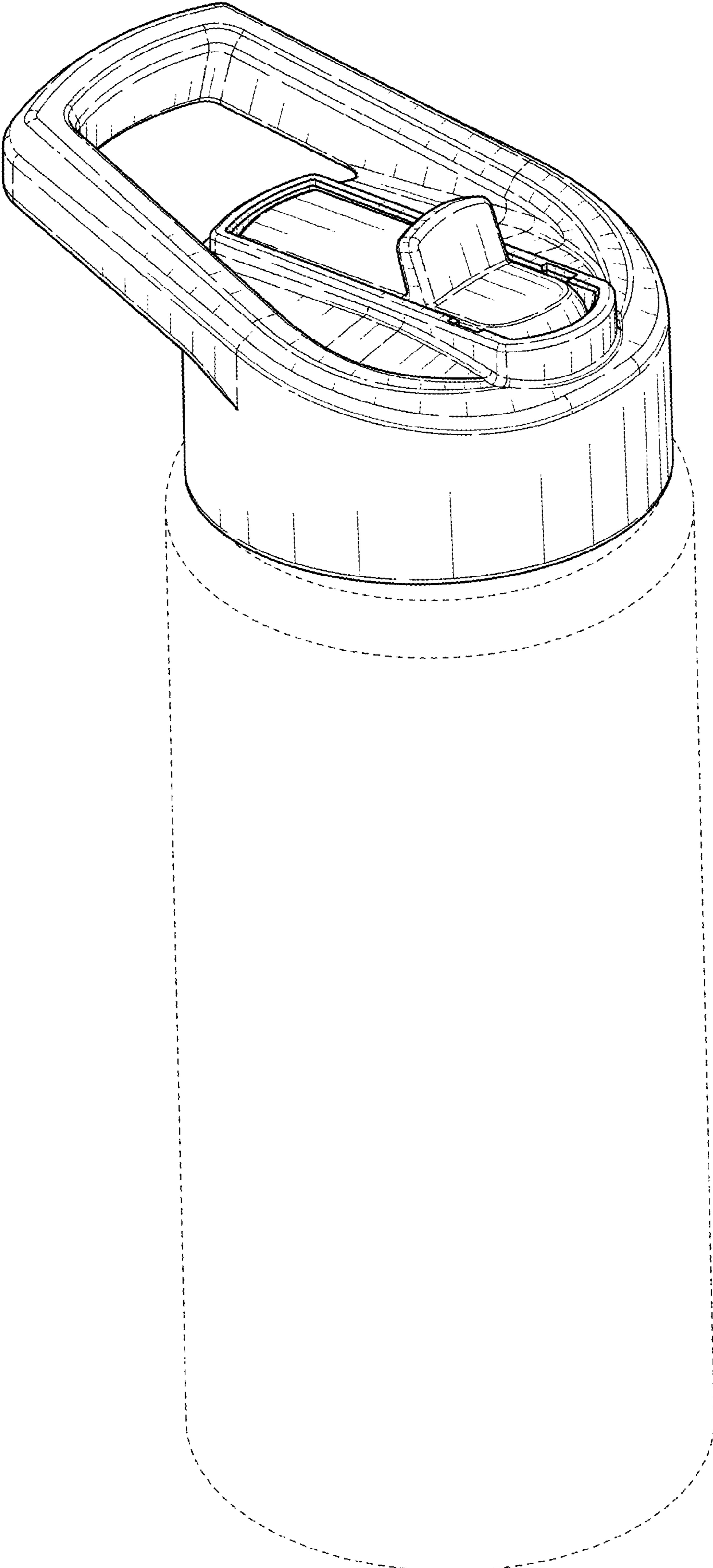


FIG. 9