



US00D976635S

(12) **United States Design Patent** (10) **Patent No.:** **US D976,635 S**
Xiao (45) **Date of Patent:** **** Jan. 31, 2023**

(54) **HEAT-RESISTANT MAT**
(71) Applicant: **Weijun Xiao**, Shenzhen (CN)
(72) Inventor: **Weijun Xiao**, Shenzhen (CN)
(**) Term: **15 Years**
(21) Appl. No.: **29/829,546**
(22) Filed: **Mar. 6, 2022**
(51) **LOC (14) Cl.** **07-99**
(52) **U.S. Cl.**
USPC **D7/388**
(58) **Field of Classification Search**
USPC D7/388; D3/205
CPC A47J 36/34; A47J 36/36
See application file for complete search history.

D859,065 S * 9/2019 Derr D7/388
D881,496 S * 4/2020 Eilmus E03C 1/186
D32/57
D883,608 S * 5/2020 Guidolin D1/128
D891,085 S * 7/2020 Martin A45D 44/04
D3/315
D891,757 S 8/2020 Dalton
D912,913 S * 3/2021 Wendling D30/161
D923,403 S * 6/2021 Seo D7/409
D935,702 S * 11/2021 Zhu D30/129
2007/0095720 A1 * 5/2007 Barnett B65D 25/06
206/581
2010/0089792 A1 * 4/2010 Bryant, Jr. A45D 44/02
206/581
2017/0196342 A1 * 7/2017 Martin A45D 44/04
2022/0039533 A1 * 2/2022 Siler A45D 27/46

* cited by examiner

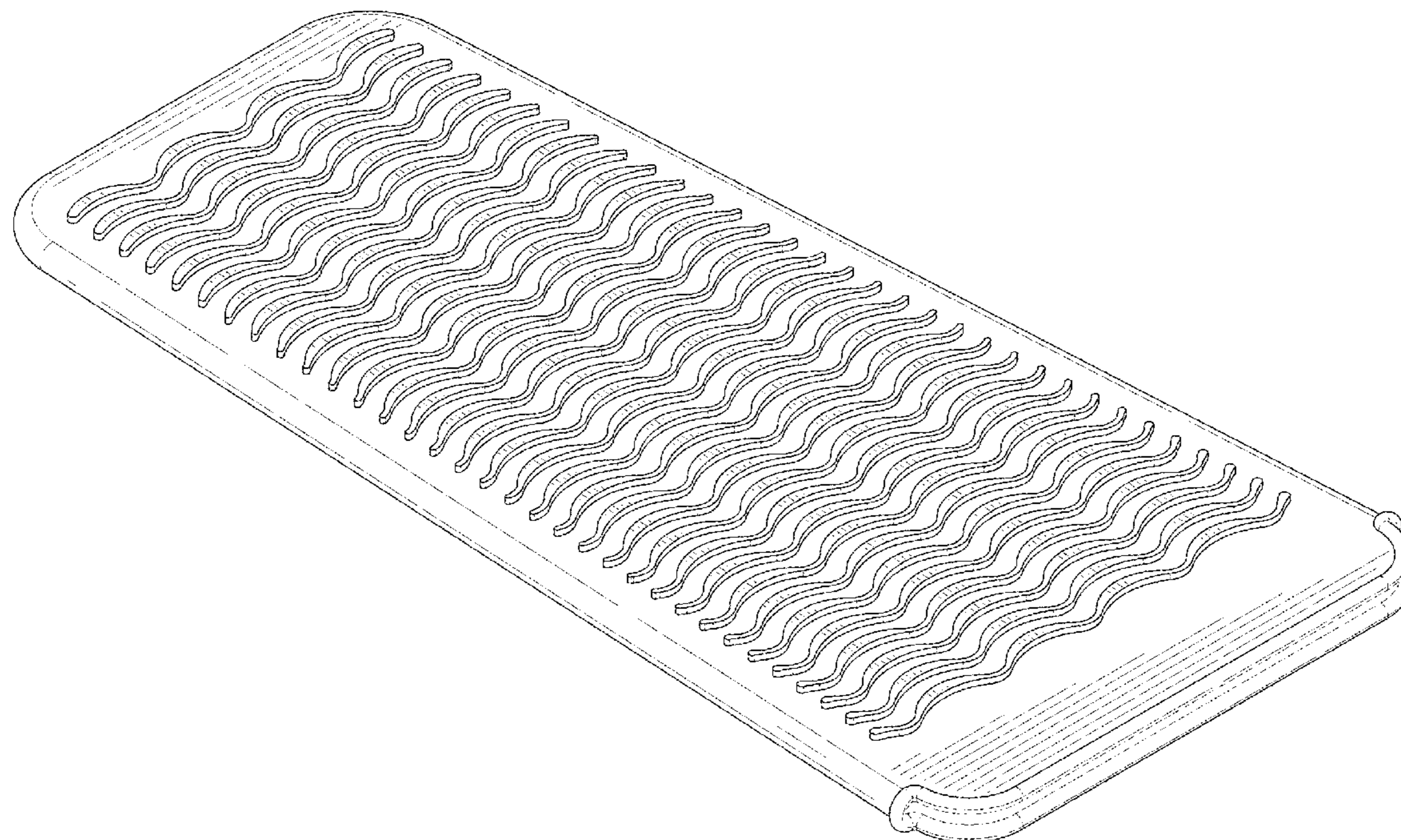
Primary Examiner — Charles D Hanson
(74) *Attorney, Agent, or Firm* — Che-Yang Chen; Law Office of Michael Chen

(56) **References Cited**
U.S. PATENT DOCUMENTS
D286,497 S * 11/1986 Daenen D32/57
D326,750 S * 6/1992 Druzek D32/57
D337,483 S * 7/1993 Newton D7/409
D435,185 S * 12/2000 Winchester D6/567
D508,368 S * 8/2005 Lion D7/388
D545,500 S * 6/2007 McCambridge D28/74
D560,094 S * 1/2008 Miller D7/387
D581,726 S * 12/2008 Shamoon D7/387
7,513,361 B1 * 4/2009 Mills, Jr. A45D 44/00
206/234
D602,733 S * 10/2009 Huber D7/388
7,909,162 B1 * 3/2011 Barrett A45D 44/00
132/286
D661,083 S * 6/2012 Frierson D3/205
D823,595 S * 7/2018 Yoo D3/205
D833,086 S * 11/2018 Hansen D30/121
D859,059 S * 9/2019 Levy D7/359

(57) **CLAIM**
The ornamental design for a heat-resistant mat, as shown and described.

DESCRIPTION
FIG. 1 is a perspective view of the heat-resistant mat showing my new design;
FIG. 2 is a perspective view thereof from another angle;
FIG. 3 is a front elevational view thereof;
FIG. 4 is a rear elevational view thereof;
FIG. 5 is a left side elevational view thereof;
FIG. 6 is a right side elevational view thereof;
FIG. 7 is a top plan view thereof; and,
FIG. 8 is a bottom plan view thereof.

1 Claim, 8 Drawing Sheets



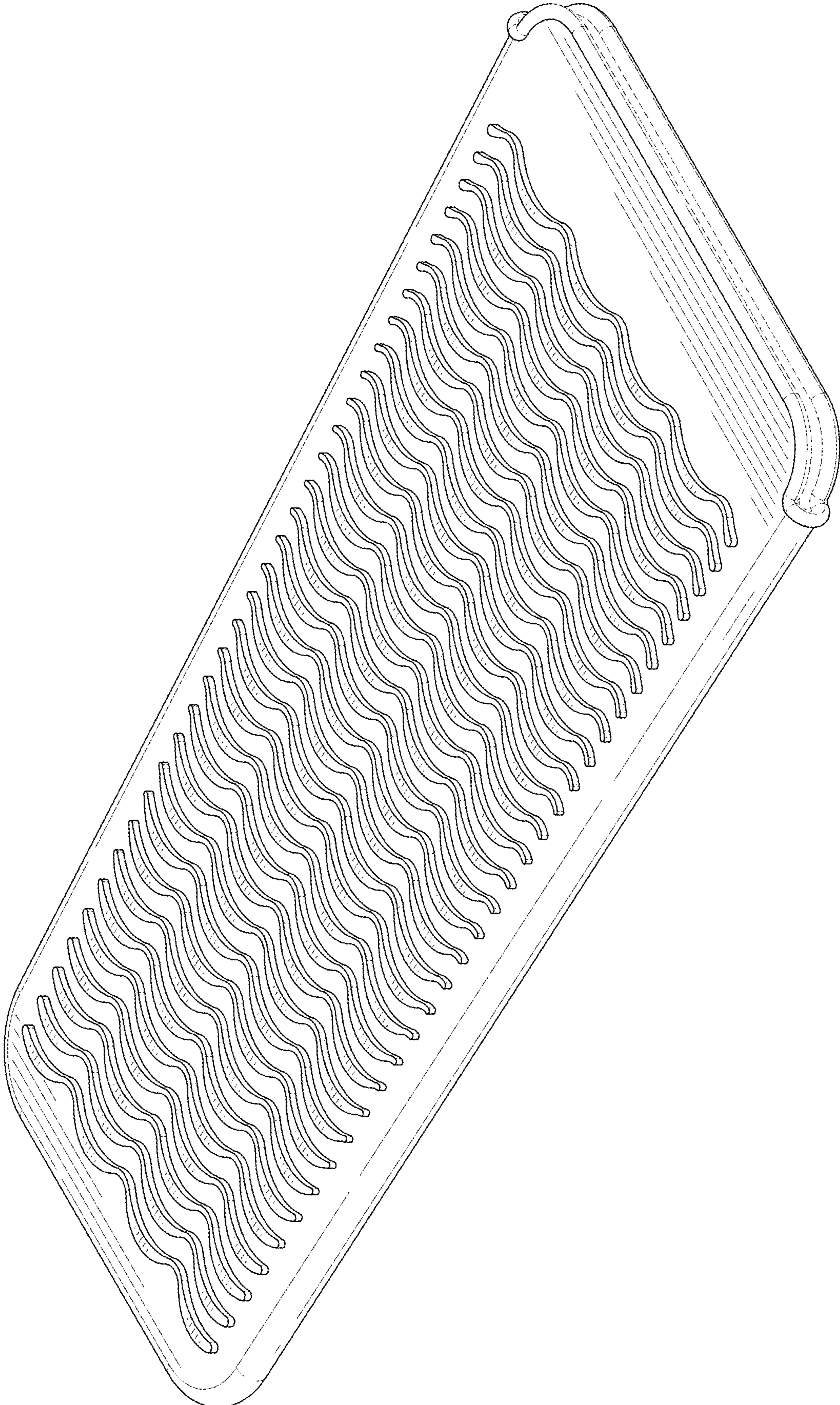


FIG. 1

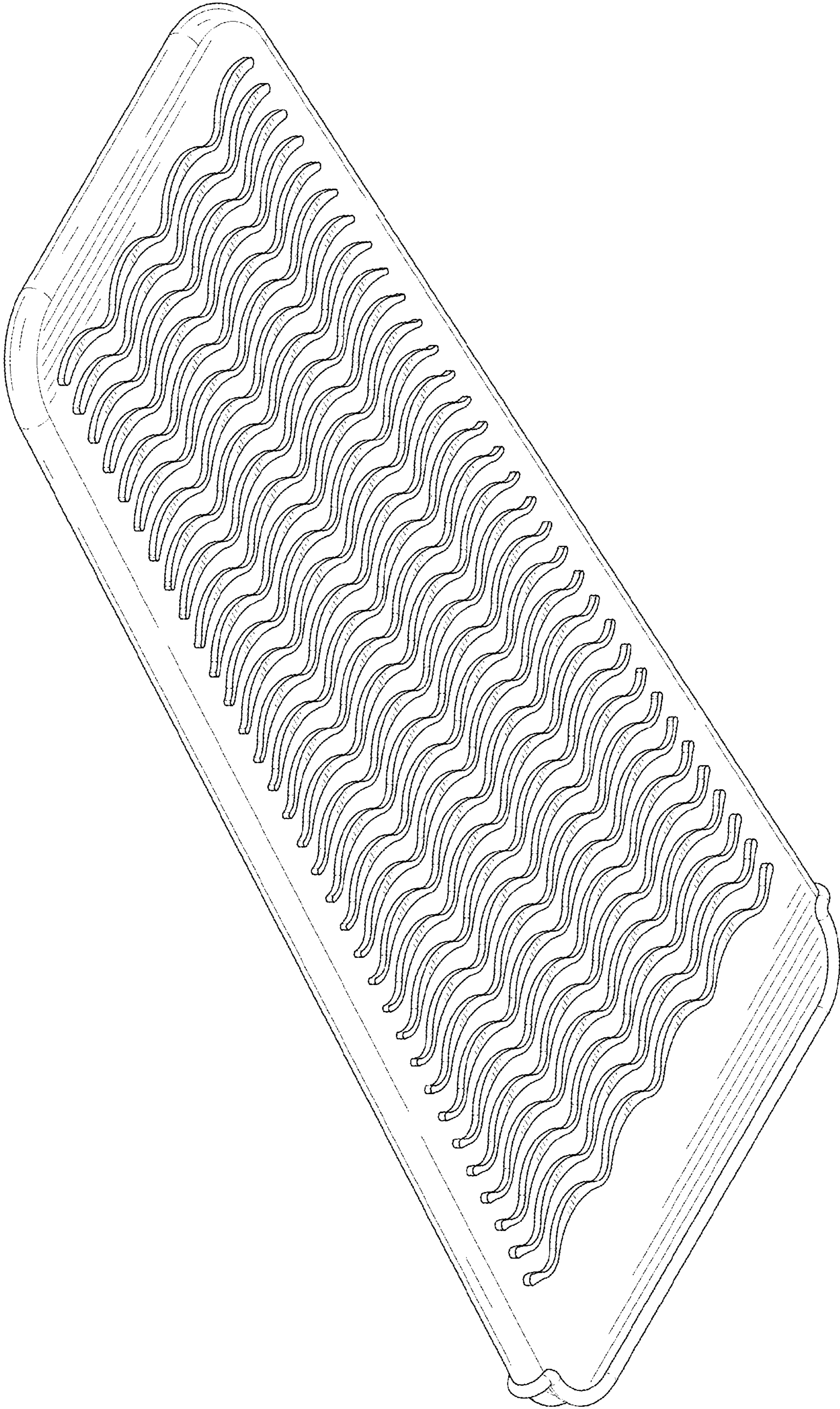


FIG. 2

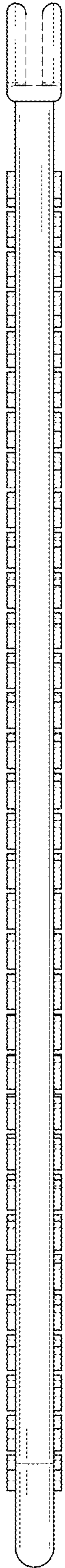


FIG. 3

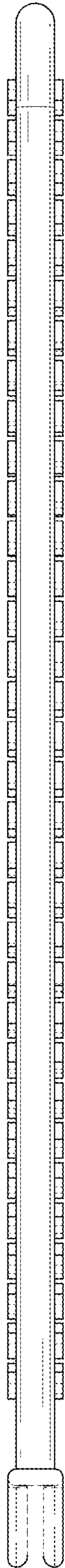


FIG. 4

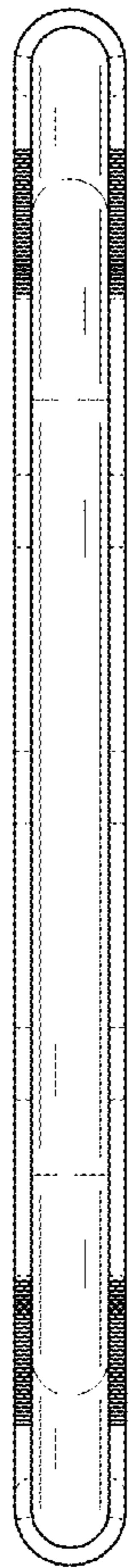


FIG. 5

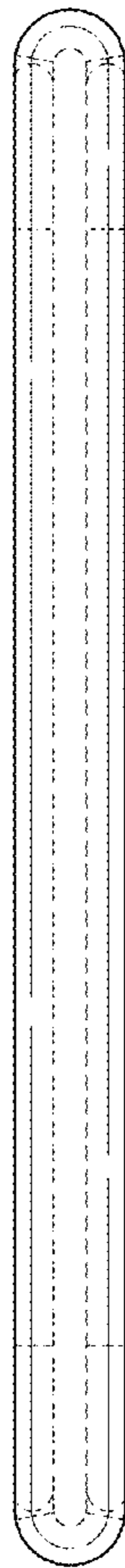


FIG. 6

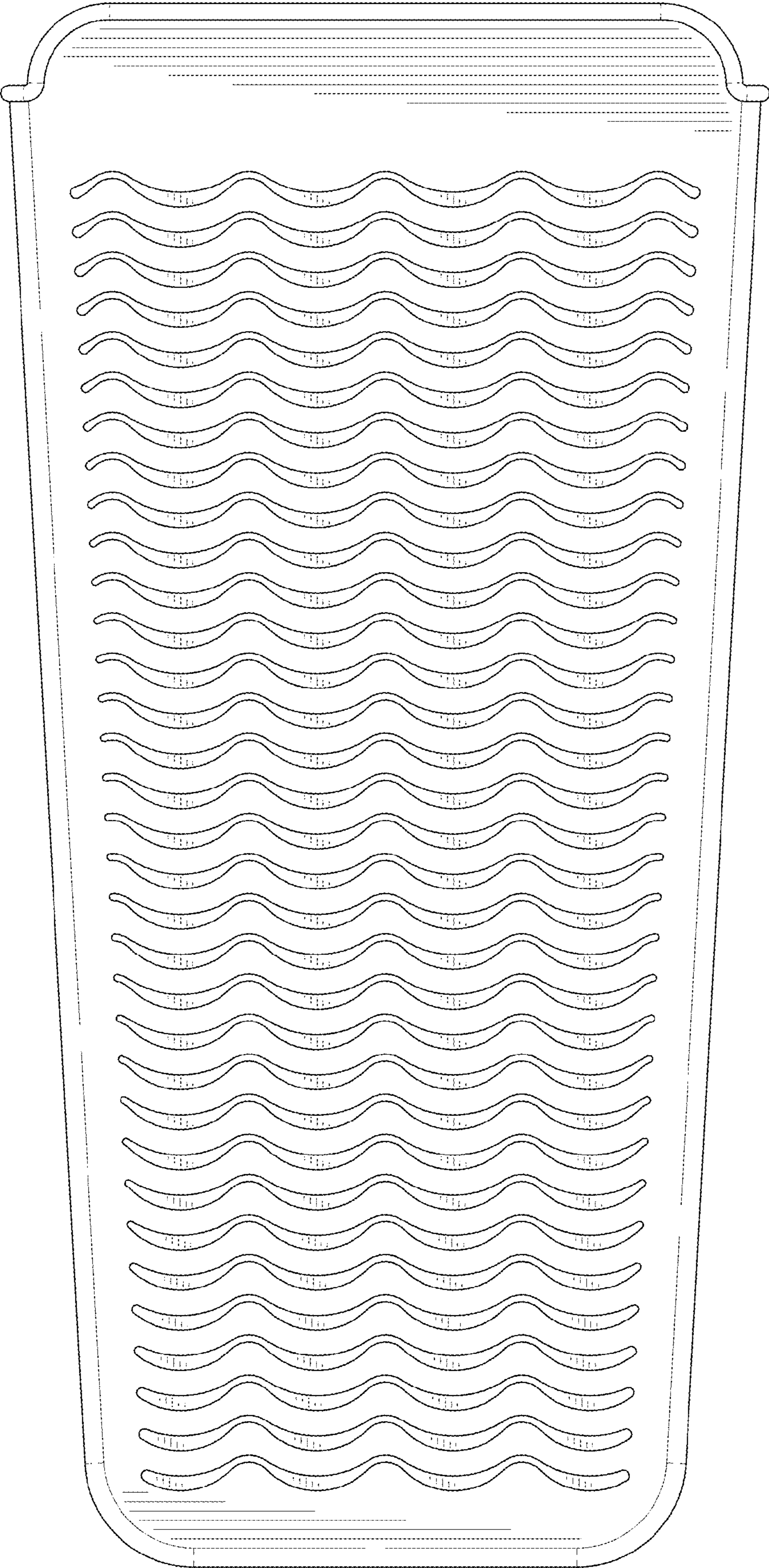


FIG. 7

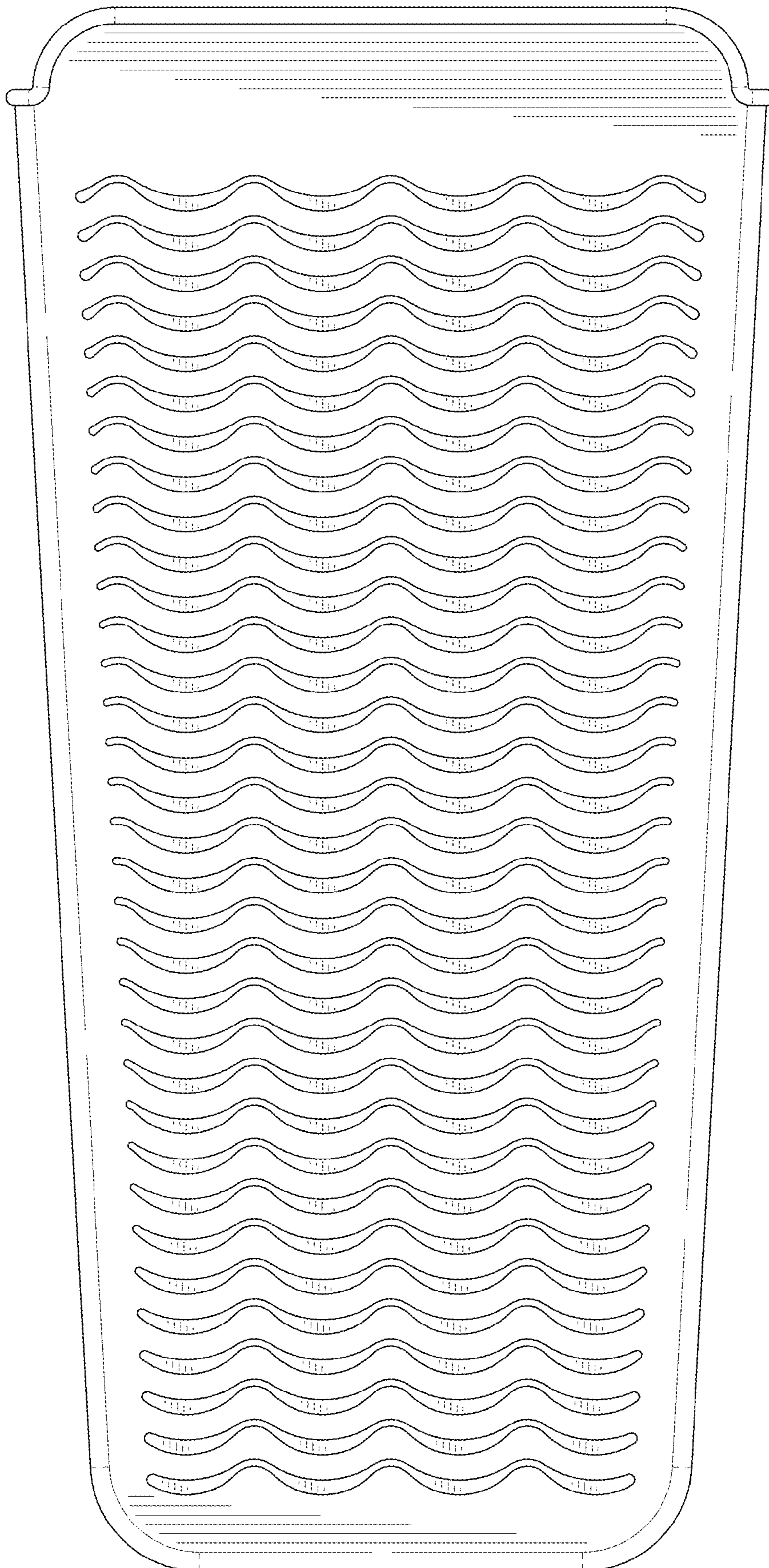


FIG. 8