



US00D976634S

(12) **United States Design Patent**  
**Chen et al.**

(10) **Patent No.:** **US D976,634 S**  
(45) **Date of Patent:** **\*\* Jan. 31, 2023**

(54) **ICE SHAVING MACHINE**

(71) Applicant: **FUJIAN MEIZHIKOU  
HOUSEHOLD PRODUCTS CO.,  
LTD., Fujian (CN)**

(72) Inventors: **Naihua Chen, Fujian (CN); Xiaoqiang  
Yu, Fujian (CN)**

(73) Assignee: **FUJIAN MEIZHIKOU  
HOUSEHOLD PRODUCTS CO.,  
LTD., Fuzhou (CN)**

(\*\*) Term: **15 Years**

(21) Appl. No.: **29/773,802**

(22) Filed: **Mar. 11, 2021**

(51) **LOC (14) Cl.** ..... **31-00**

(52) **U.S. Cl.**  
USPC ..... **D7/374; D7/376**

(58) **Field of Classification Search**  
USPC ..... D7/306, 326, 372, 376–386, 393,  
D7/412–413, 510, 586, 602, 629,  
D7/665–666, 669, 679, 693–694; D15/82  
CPC .... A21C 1/02; A21C 1/04; A23N 1/00; A23N  
1/02; A47J 43/04; A47J 43/24; A47J  
43/25; A47J 43/27; A47J 43/042; A47J  
43/044; A47J 43/046; A47J 43/075; A47J  
43/0722; A47J 43/0727; A47J 43/0766;  
B01F 3/00; B01F 3/0807; B01F 3/0853;  
B01F 13/0059; B01F 13/0064; B02C  
1/08; B02C 2/04; B02C 4/42; B02C  
4/142; B02C 4/143; B02C 4/423; B02C  
13/1835; B28C 5/10; B28C 5/12; B28C  
5/14; B28C 5/16; A23G 9/045  
See application file for complete search history.

(56) **References Cited**

**U.S. PATENT DOCUMENTS**

D671,568 S \* 11/2012 Pelayo ..... D15/82  
D726,231 S \* 4/2015 Lu ..... D15/82  
D726,232 S \* 4/2015 Cappelli ..... D15/82

D948,262 S \* 4/2022 Jakobsen ..... D7/306  
2020/0109887 A1 \* 4/2020 Rupp ..... A23G 9/045  
2022/0235992 A1 \* 7/2022 Liao ..... A23G 9/045

**OTHER PUBLICATIONS**

JoyMech Portable Shaved Ice Machine. Date First Available on Amazon.com Nov. 25, 2021. <https://www.amazon.com/JoyMech-Portable-Machine-Rechargeable-Batteries/dp/B09MKC2PGW/ref=Year:2021>.\*

\* cited by examiner

*Primary Examiner* — Ricky Pham

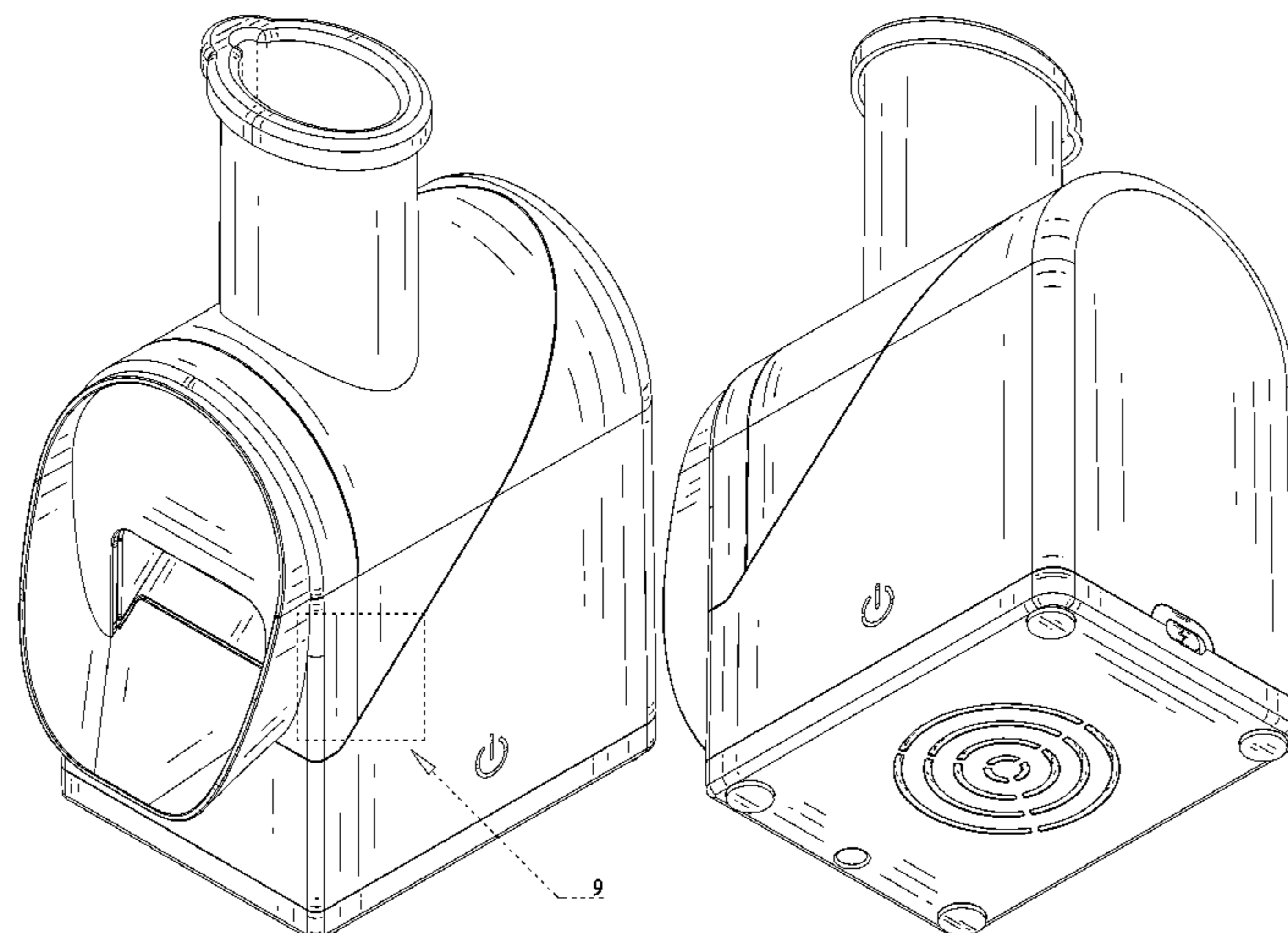
(57) **CLAIM**

The ornamental design for an ice shaving machine, as shown and described.

**DESCRIPTION**

FIG. 1 is a perspective view of an ice shaving machine showing our new design;  
FIG. 2 is another perspective view thereof;  
FIG. 3 is a front view thereof;  
FIG. 4 is a back view thereof;  
FIG. 5 is a left view thereof;  
FIG. 6 is a right view thereof;  
FIG. 7 is an enlarged top view thereof;  
FIG. 8 is an enlarged bottom view thereof;  
FIG. 9 is a partially enlarged view of FIG. 1; and,  
FIG. 10 is a partially enlarged view of FIG. 5.  
The broken lines shown on the drawings depict portions of the ice shaving machine that form no part of the claimed design.

**1 Claim, 10 Drawing Sheets**



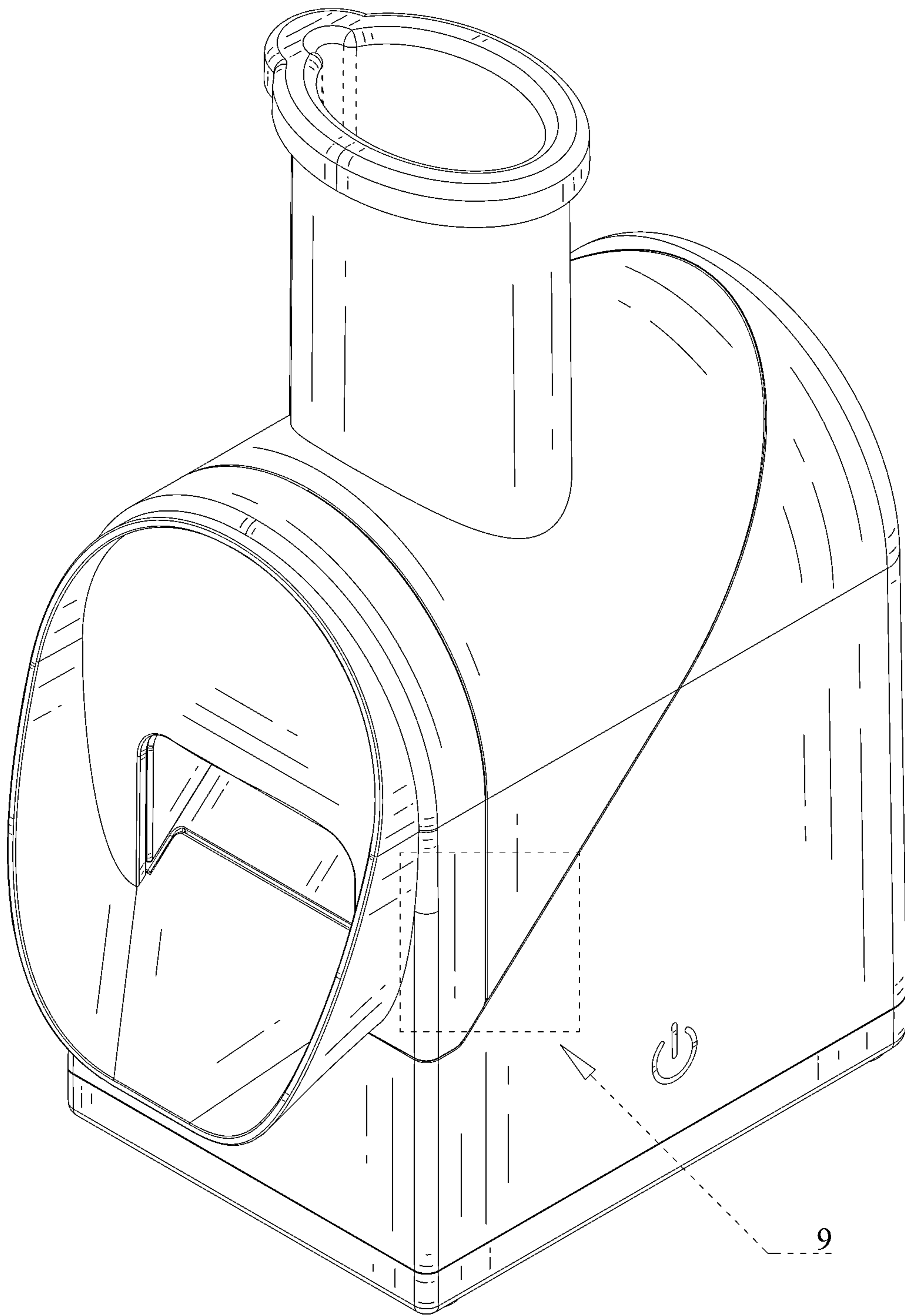


FIG. 1

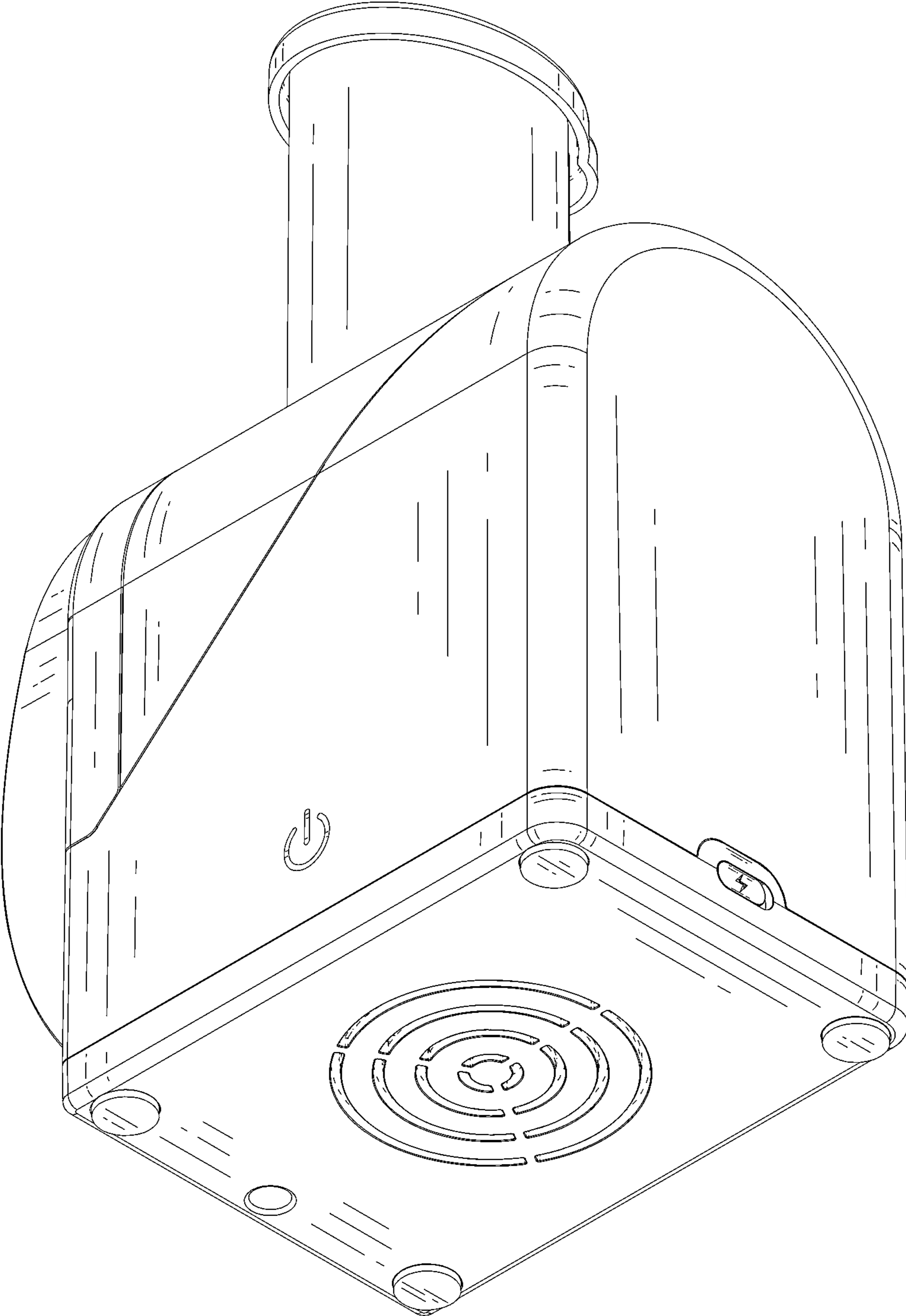


FIG. 2

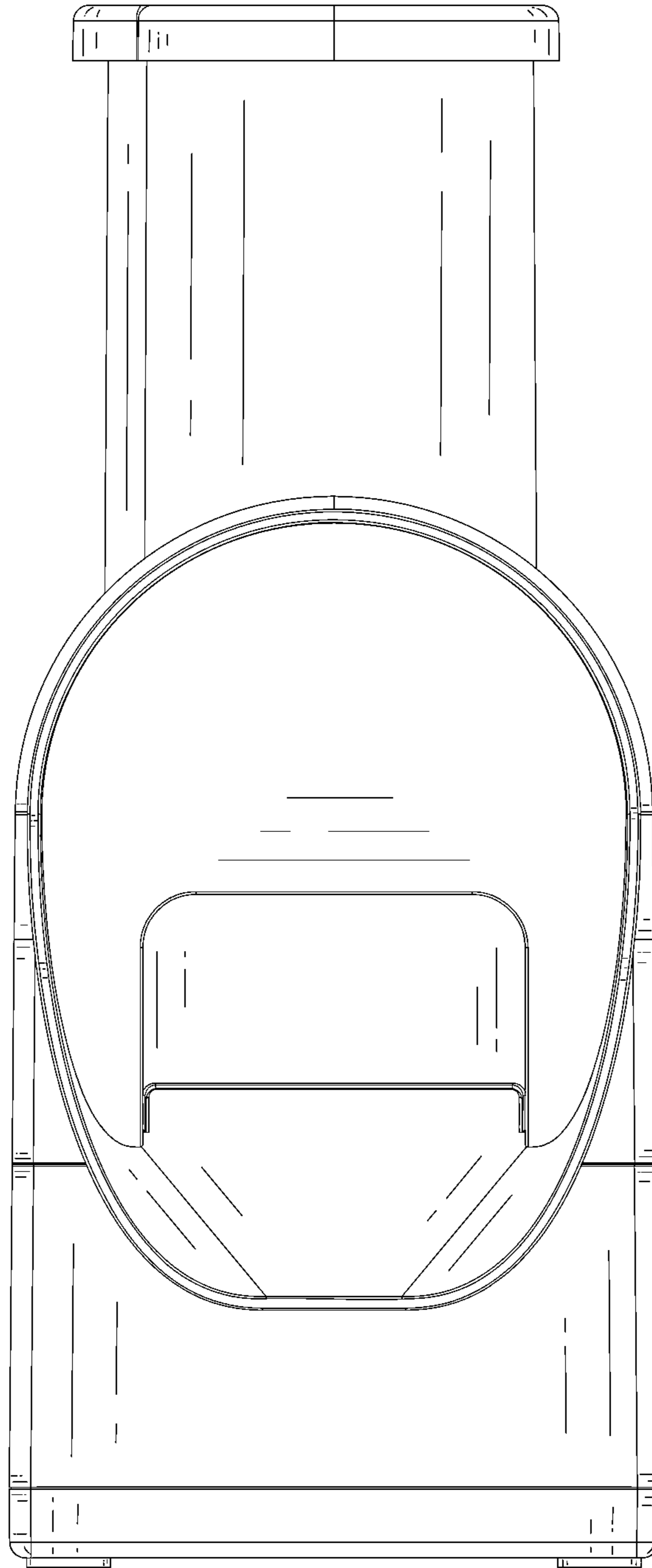


FIG. 3

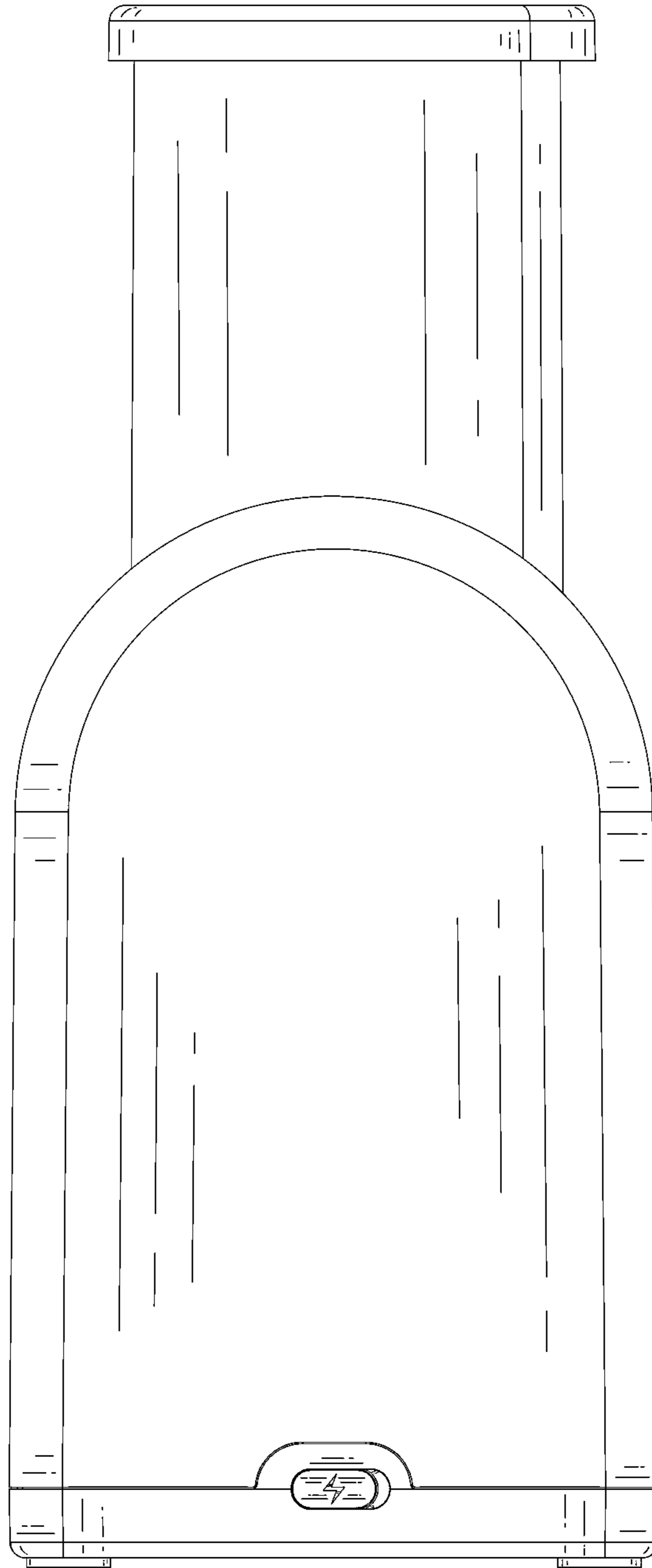


FIG. 4

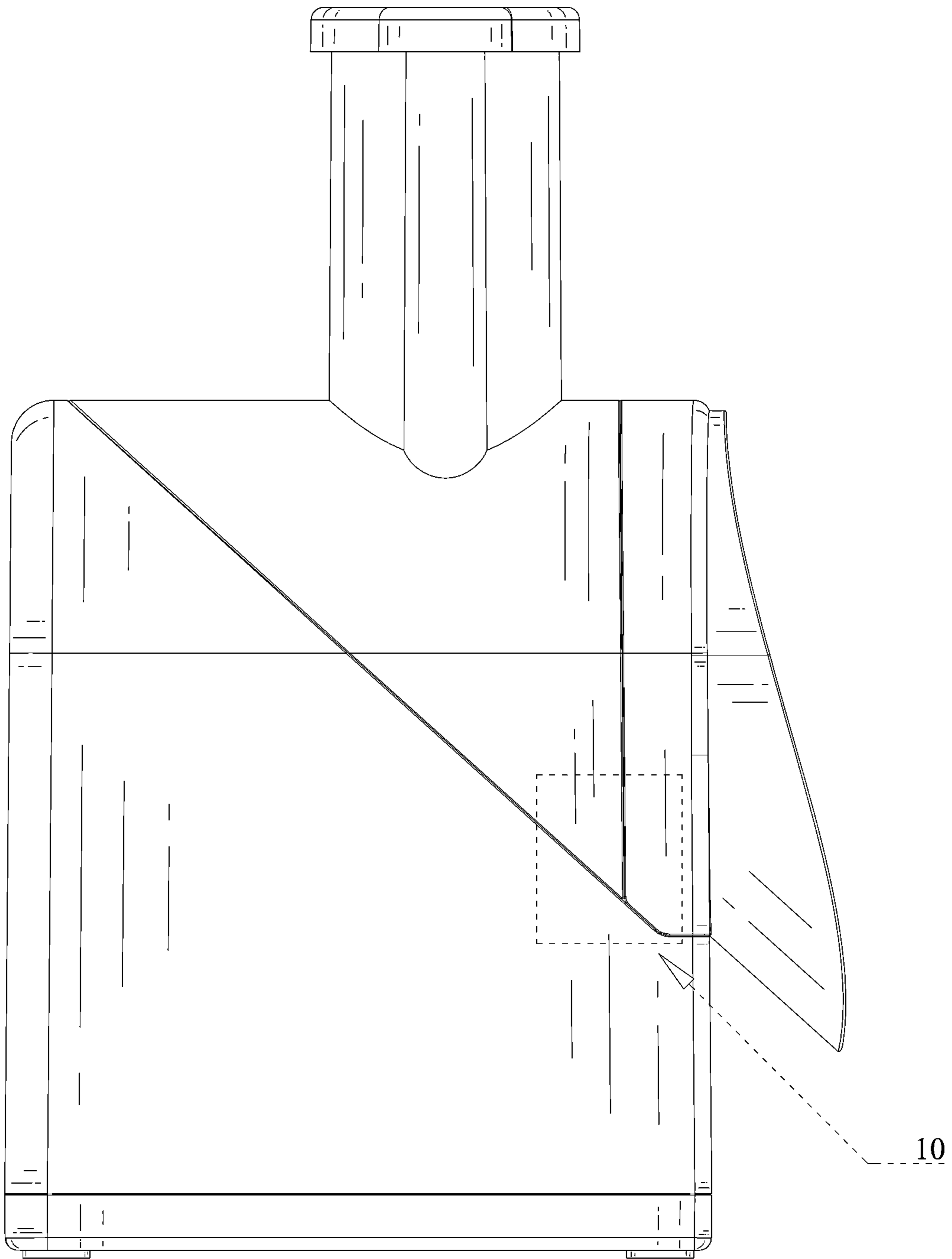


FIG. 5

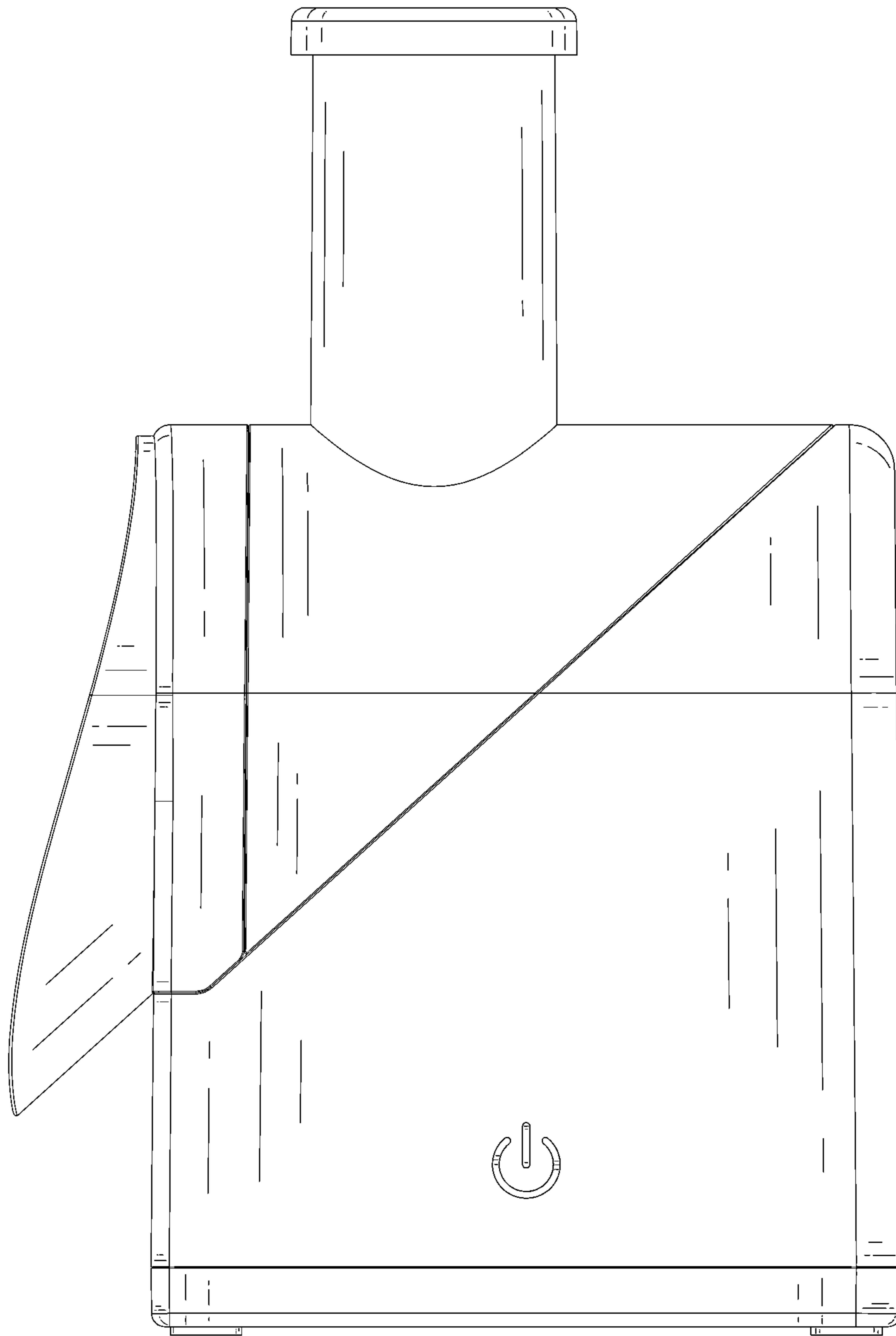


FIG. 6

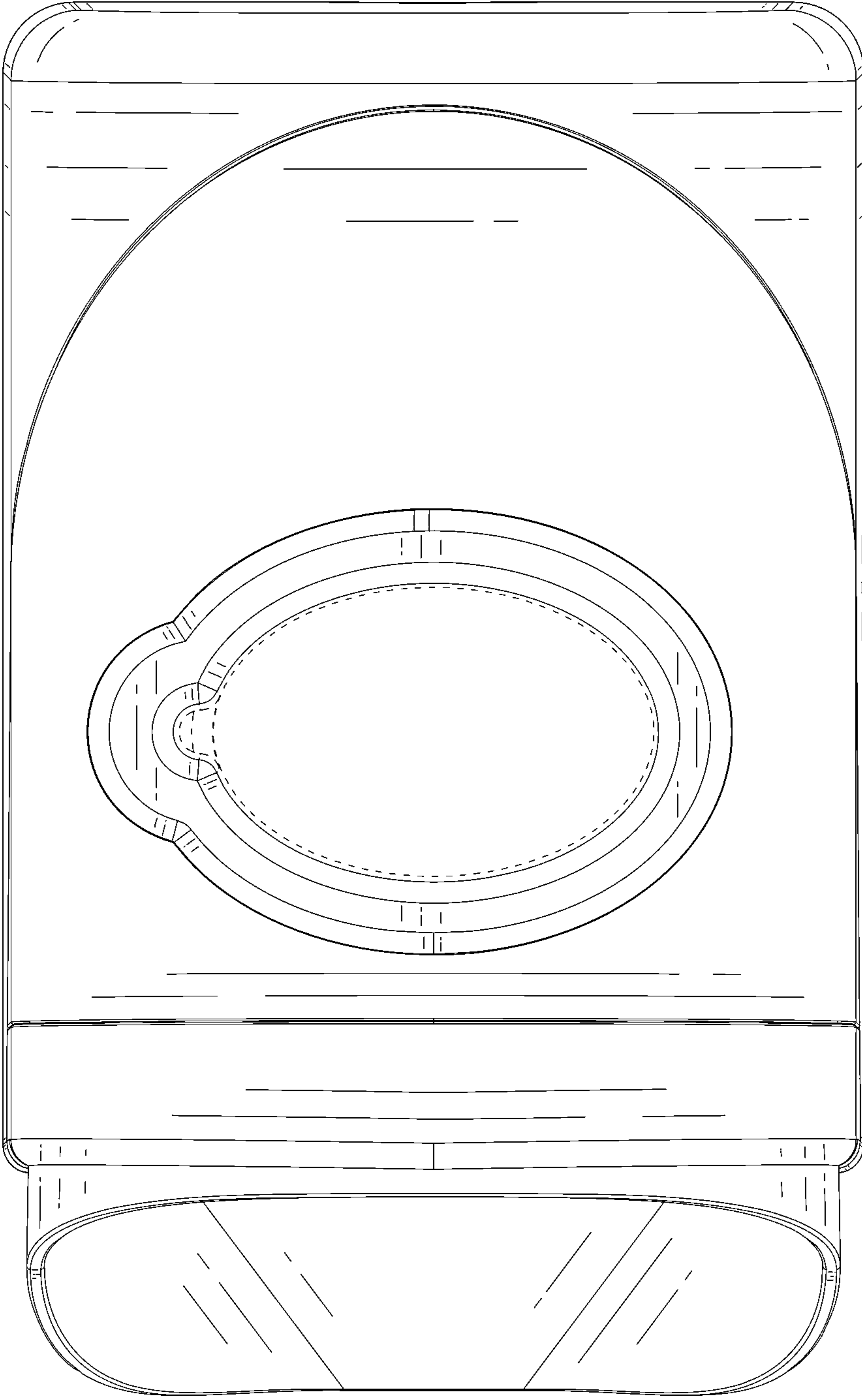


FIG. 7



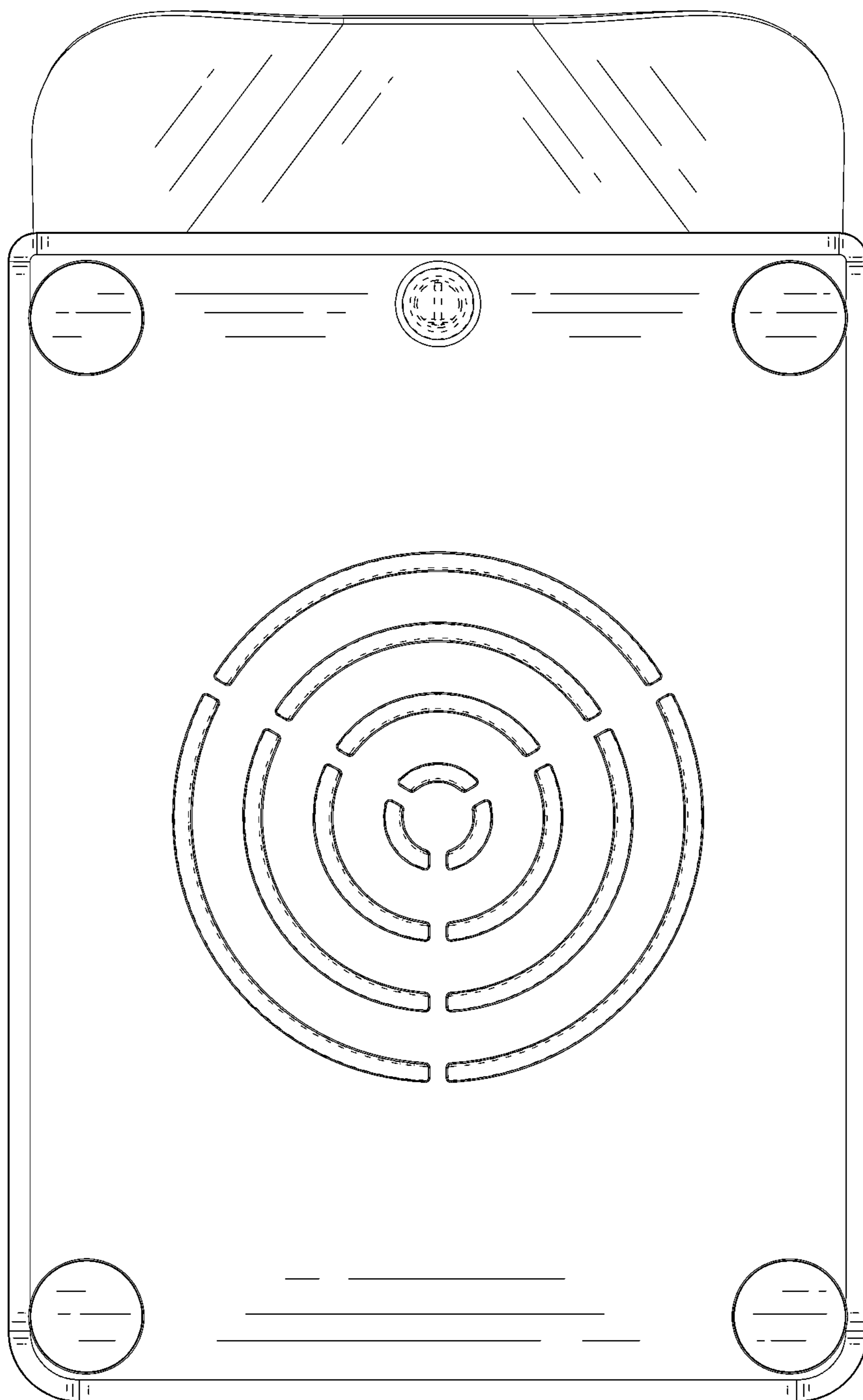


FIG. 8

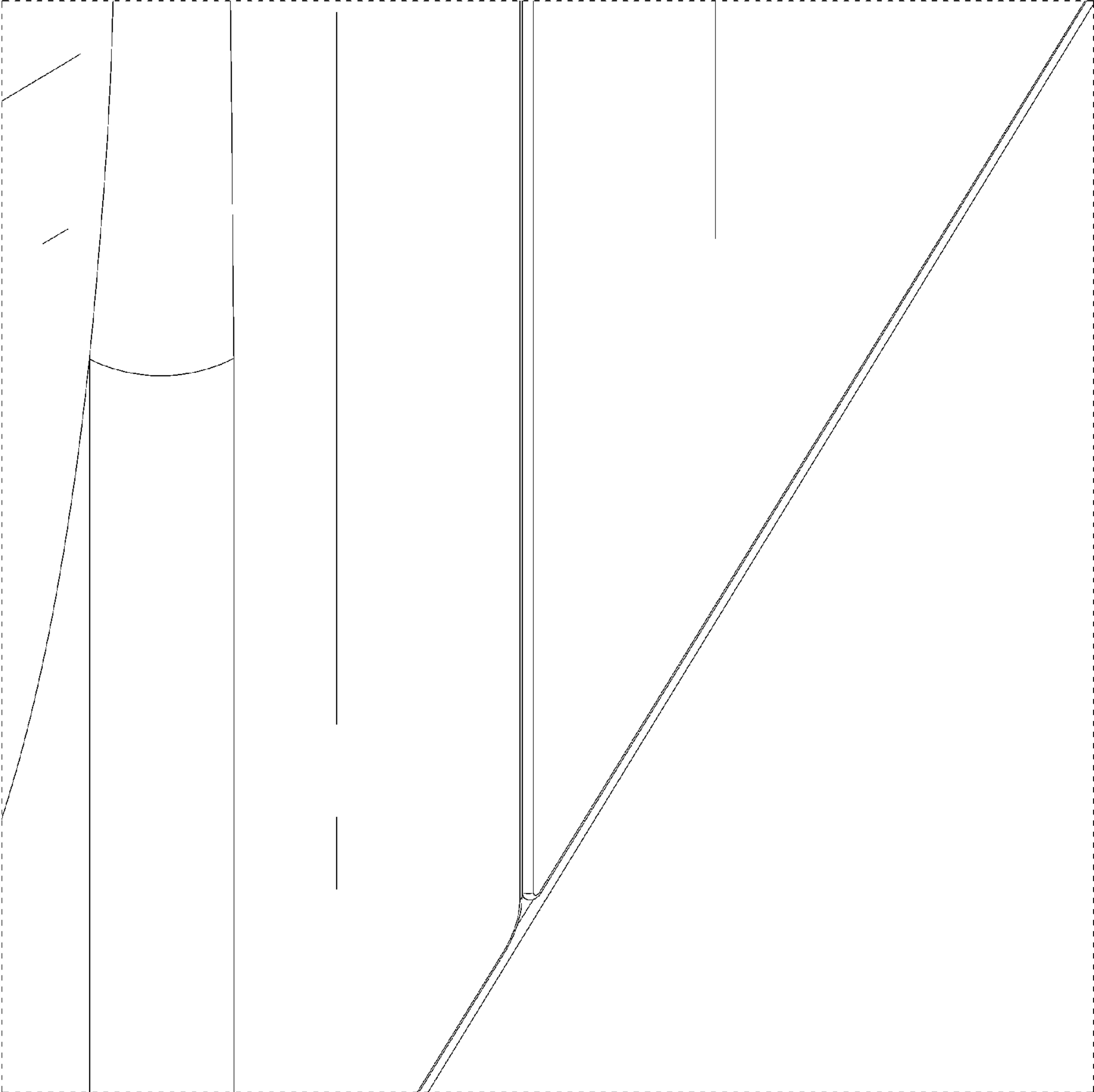


FIG. 9

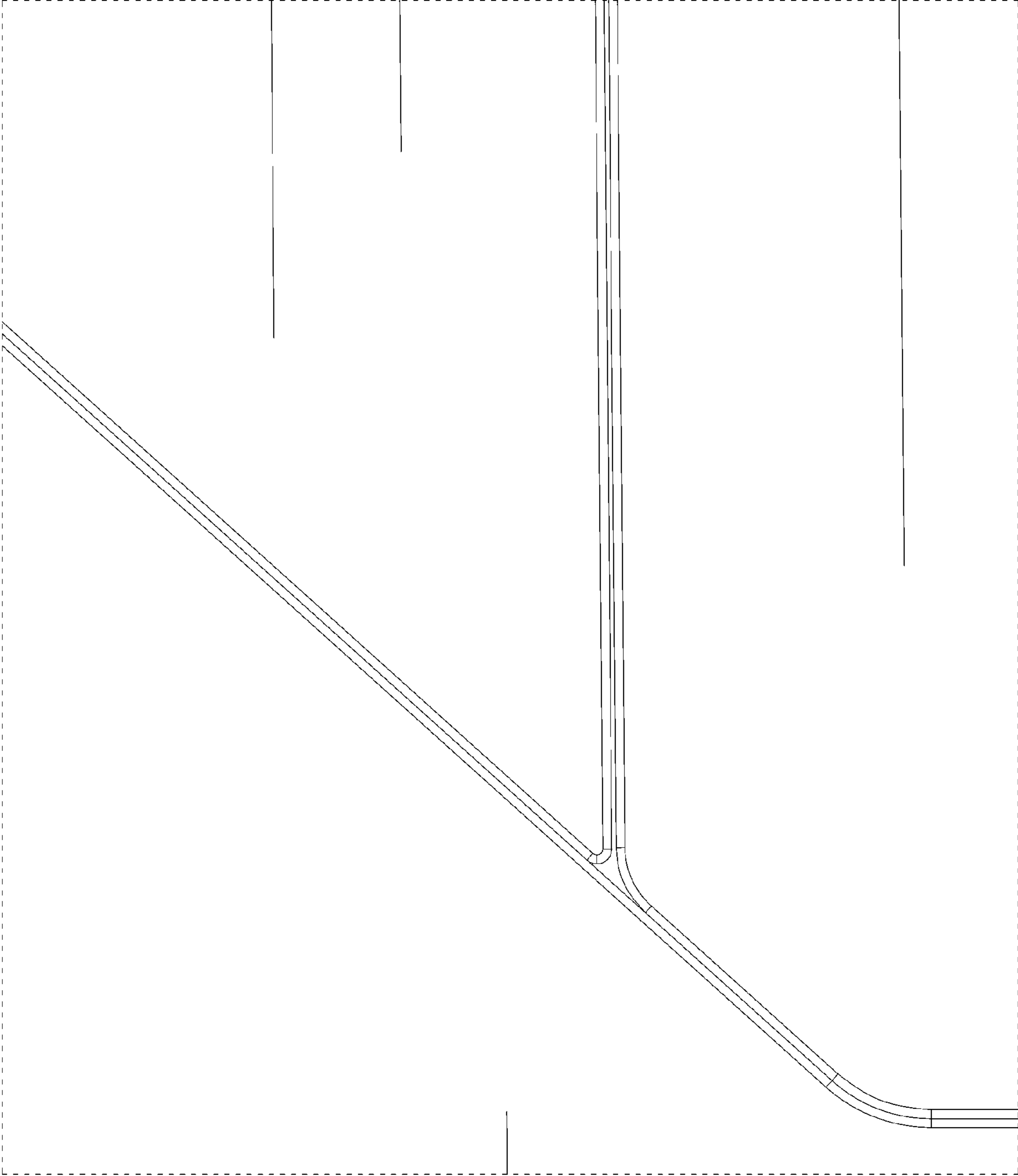


FIG. 10