



US00D976633S

(12) **United States Design Patent** (10) **Patent No.:** **US D976,633 S**
Zhang (45) **Date of Patent:** **** Jan. 31, 2023**

(54) **STEAM OVEN**
(71) Applicant: **NINGBO FOTILE KITCHEN WARE CO., LTD.**, Zhejiang (CN)
(72) Inventor: **Jie Zhang**, Zhejiang (CN)
(73) Assignee: **NINGBO FOTILE KITCHEN WARE CO., LTD.**, Zhejiang (CN)
(**) Term: **15 Years**
(21) Appl. No.: **29/794,218**
(22) Filed: **Jun. 10, 2021**
(51) **LOC (14) Cl.** **07-02**
(52) **U.S. Cl.**
USPC **D7/350.1**
(58) **Field of Classification Search**
USPC D7/323, 328, 331-341, 346-349, D7/350.1-350.4, 351-368, 388, 389, 391, D7/393-396, 396.1, 400, 402-412, 450, D7/504, 601, 611, 624, 625, 690, 692, D7/732; D30/120; D21/312, 362, 523, D21/524, 525, 301-309, 387, 476-489, D21/699; D22/113
CPC A47J 27/002; A47J 27/04; A47J 27/043; A47J 27/10; A47J 27/12; A47J 29/00; A47J 29/02; A47J 29/06; A47J 33/00; A47J 36/00; A47J 36/20; A47J 36/22; A47J 36/24; A47J 36/2405; A47J 36/2483; A47J 36/26; A47J 37/00; A47J 37/015; A47J 37/04; A47J 37/041; A47J 37/042; A47J 37/043; A47J 37/06; A47J 37/061; A47J 37/0623; A47J 37/0629; A47J 37/0647; A47J 37/067; A47J 37/0676; A47J 37/0682; A47J 37/0688; A47J 37/0694; A47J 37/07; A47J 37/0704; A47J 37/0718; A47J 37/0763; A47J 37/105; A47J 37/108; A47J 37/1204; A47J 2037/0795; F24C 3/002; F24C 3/004; F24C 3/082; F24C 3/085;

(Continued)

(56) **References Cited**
U.S. PATENT DOCUMENTS
D644,309 S * 8/2011 De'Longhi D7/311
D764,854 S * 8/2016 Kim D7/339
(Continued)

FOREIGN PATENT DOCUMENTS
CN 306288273 * 1/2021
CN 306288274 * 1/2021

OTHER PUBLICATIONS
Fotile Chefcubii, posted Sep. 27, 2021 [online], [retrieved Nov. 3, 2022]. Retrieved from internet, <https://www.amazon.com/FOTILE-Chefcubii-Countertop-Convection-Temperature/dp/B09H1CGRTV> (Year: 2021).*

(Continued)

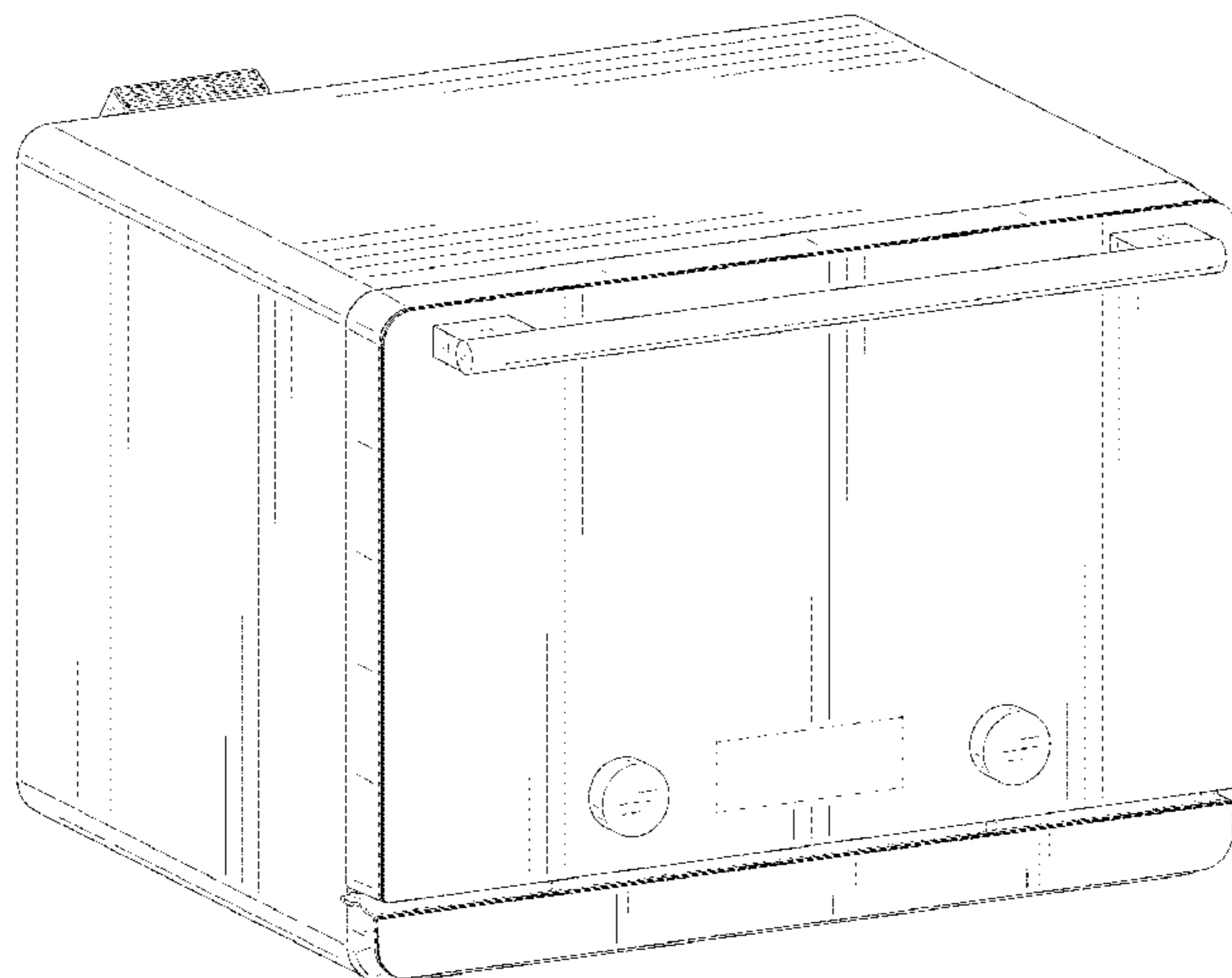
Primary Examiner — Nicole C Shiflet
Assistant Examiner — Yen Le Southwood
(74) *Attorney, Agent, or Firm* — JCIPRNET

(57) **CLAIM**
The ornamental design for a steam oven, as shown and described.

DESCRIPTION

FIG. 1 is a perspective view of a steam oven showing my new design;
FIG. 2 is another perspective view thereof;
FIG. 3 is a front view thereof;
FIG. 4 is a rear view thereof;
FIG. 5 is a left side view thereof;
FIG. 6 is a right side view thereof; and,
FIG. 7 is a top view thereof.
The broken line portions in FIGS. 1-7 represent portions of the steam oven that form no part of the claimed design. The bottom view of the steam oven is omitted since it does not contain ornamental features.

1 Claim, 7 Drawing Sheets



(58) **Field of Classification Search**

CPC .. F24C 7/04; F24C 11/00; F24C 15/16; F24C
15/166; F24C 15/18; F24B 1/182

See application file for complete search history.

(56) **References Cited**

U.S. PATENT DOCUMENTS

D771,996 S	*	11/2016	Bhogal	D7/350.1
D781,636 S	*	3/2017	Kim	D7/348
D861,409 S	*	10/2019	Bhogal	D7/328
D891,169 S	*	7/2020	Gushwa	D7/328
D922,125 S	*	6/2021	Kim	D7/351
D934,629 S	*	11/2021	Lees	D7/405

OTHER PUBLICATIONS

KitchenAid Dual Convection Oven, posted Aug. 5, 2021 [online],
[retrieved Nov. 3, 2022]. Retrieved from internet, <https://www.amazon.com/KitchenAid-Convection-Countertop-Temperature-Probe/dp/B09C14Y4JM> (Year: 2021).*

Zojirushi Micom Toaster Oven, posted Jun. 19, 2020 [online],
[retrieved Nov. 3, 2022]. Retrieved from internet, https://www.amazon.com/Zojirushi-ZLC30-Micom-Toaster-Black/dp/B08BJGZGKM?source=ps-sl-shoppingads-lpcontext&ref_=fplfs&psc=1&smid=ATVPDKIKX0DER (Year: 2020).*

Countertop Retro Toaster Oven, posted date unknown [online],
[retrieved Nov. 3, 2022]. Retrieved from internet, https://www.alibaba.com/product-detail/Countertop-Retro-Toaster-Oven-10L-Small_1600309022165.html.*

* cited by examiner

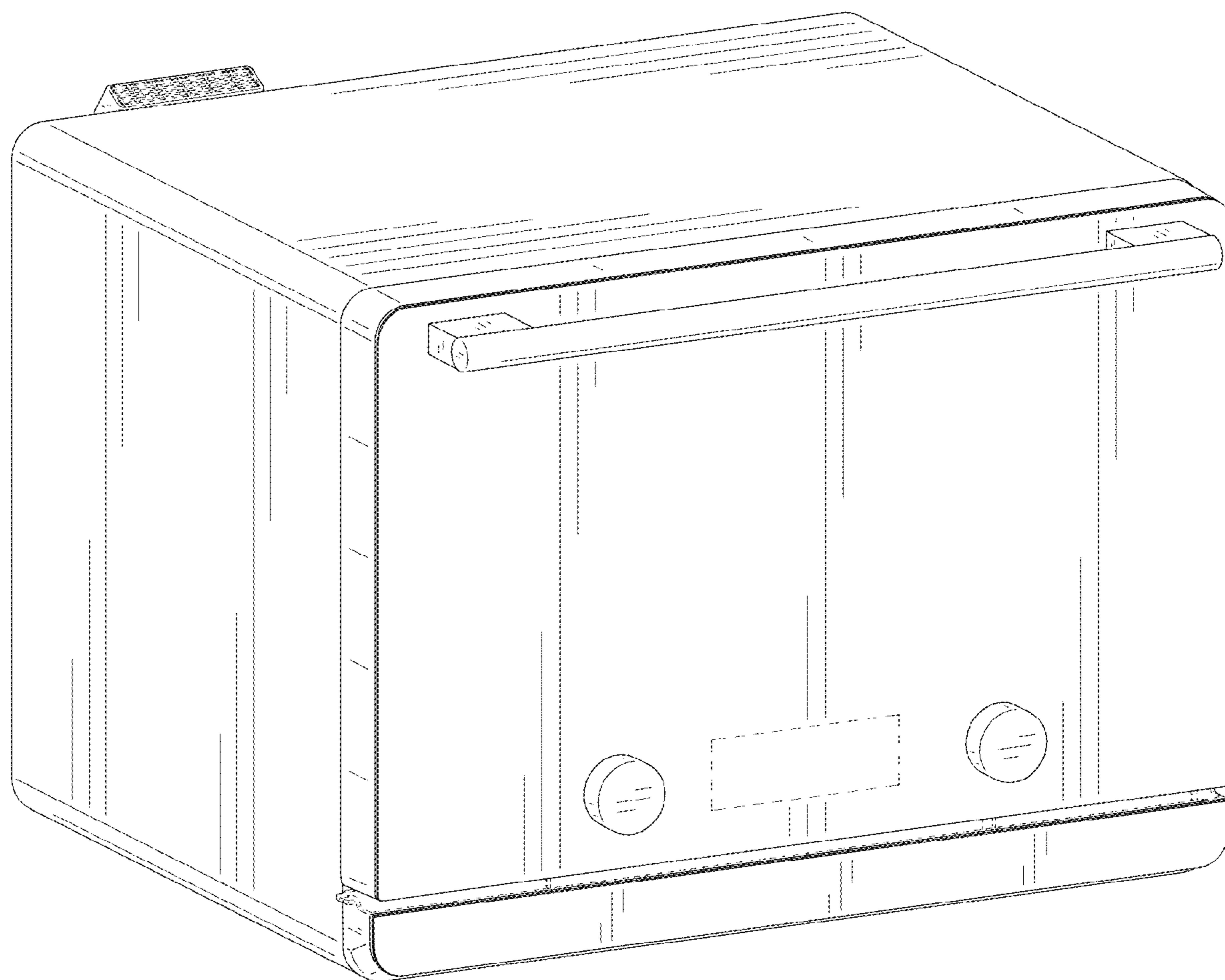


FIG. 1

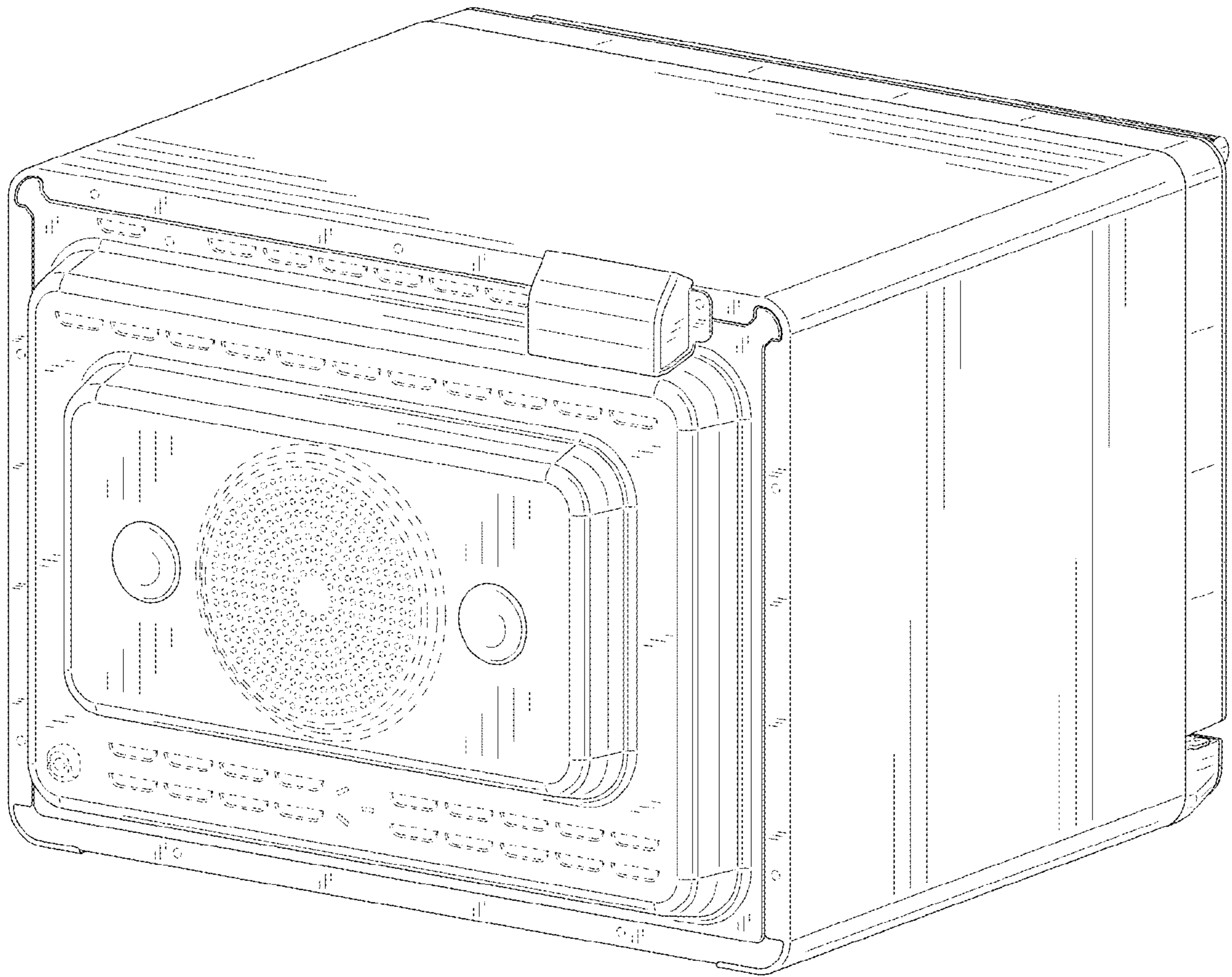


FIG. 2

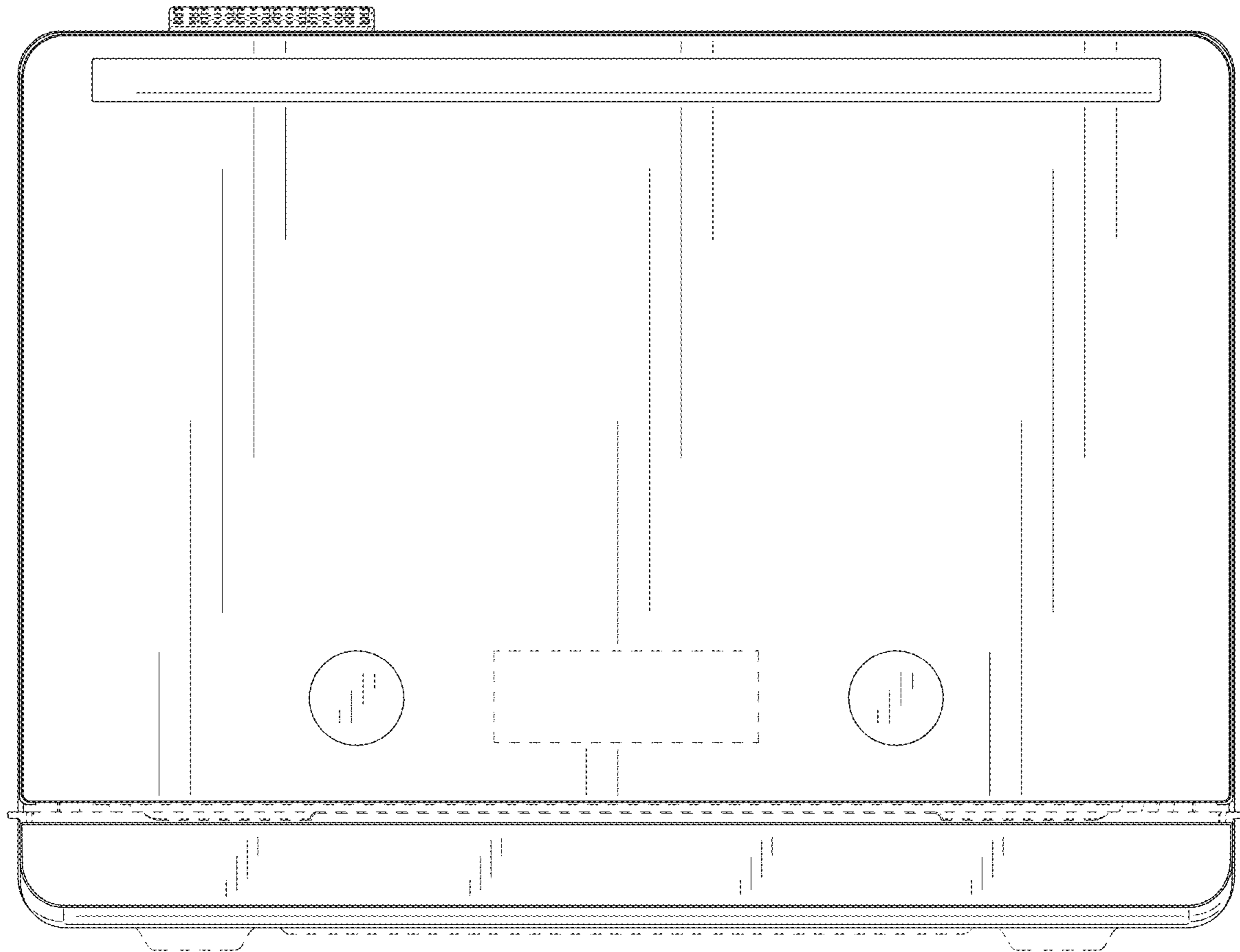


FIG. 3

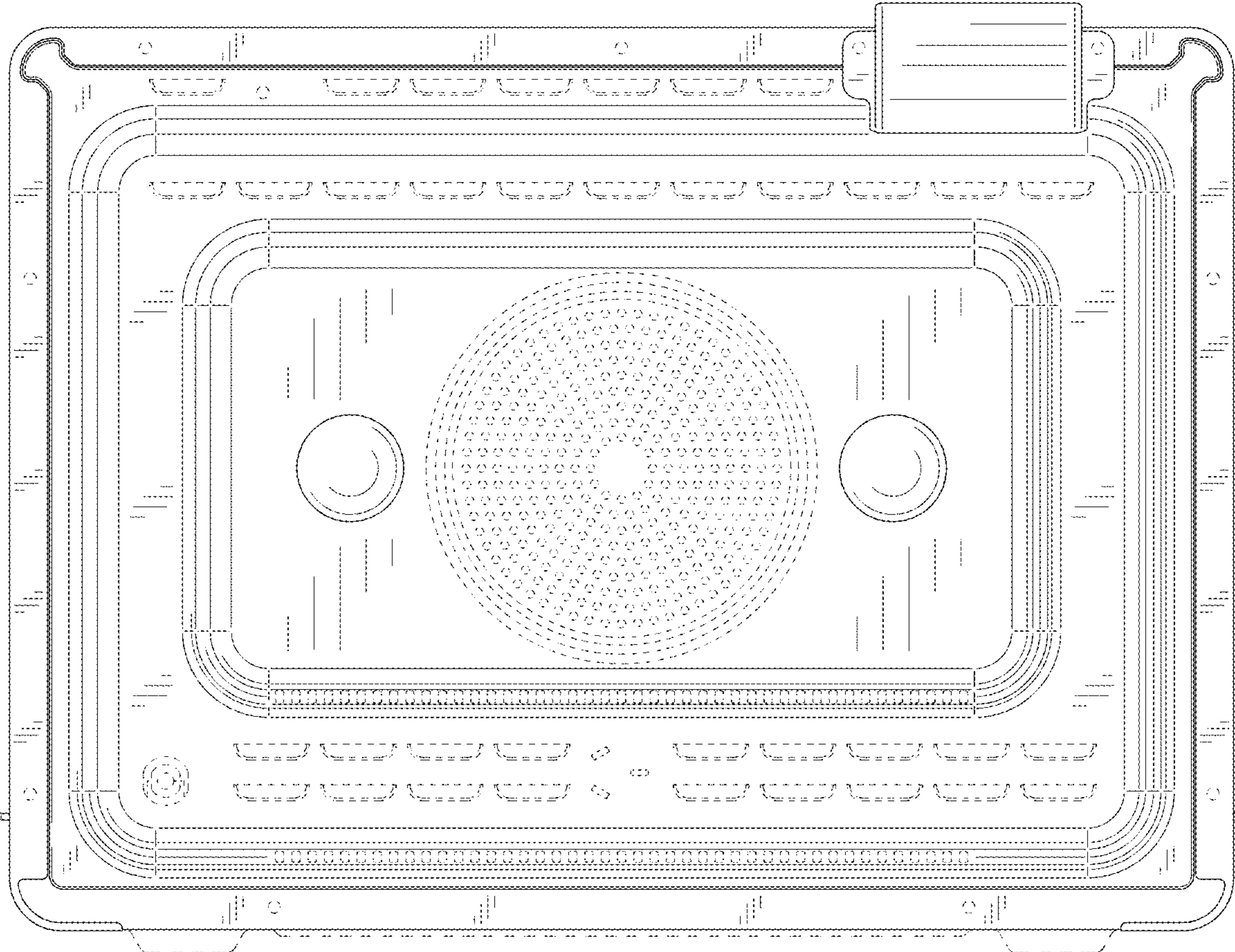


FIG. 4

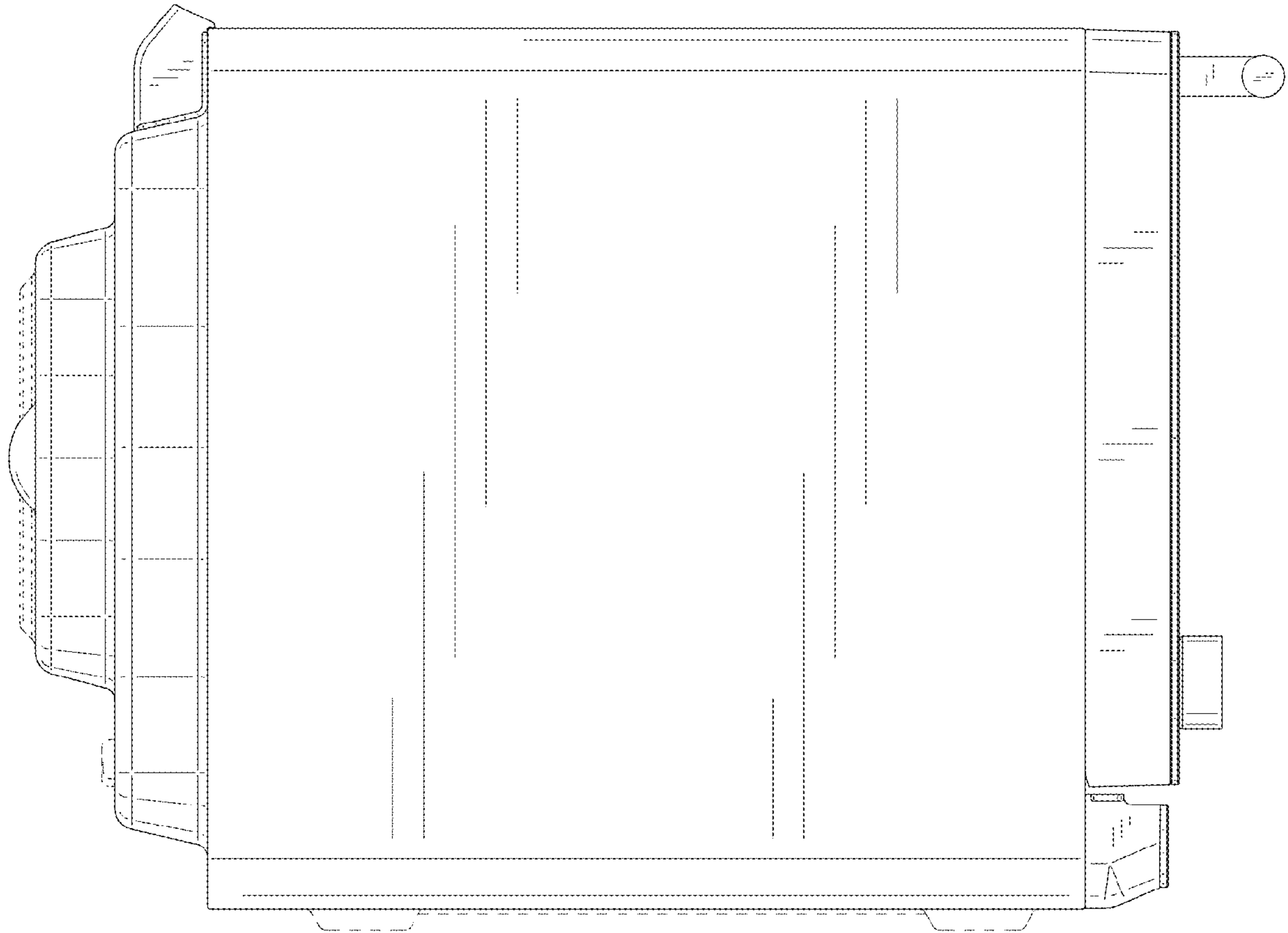


FIG. 5

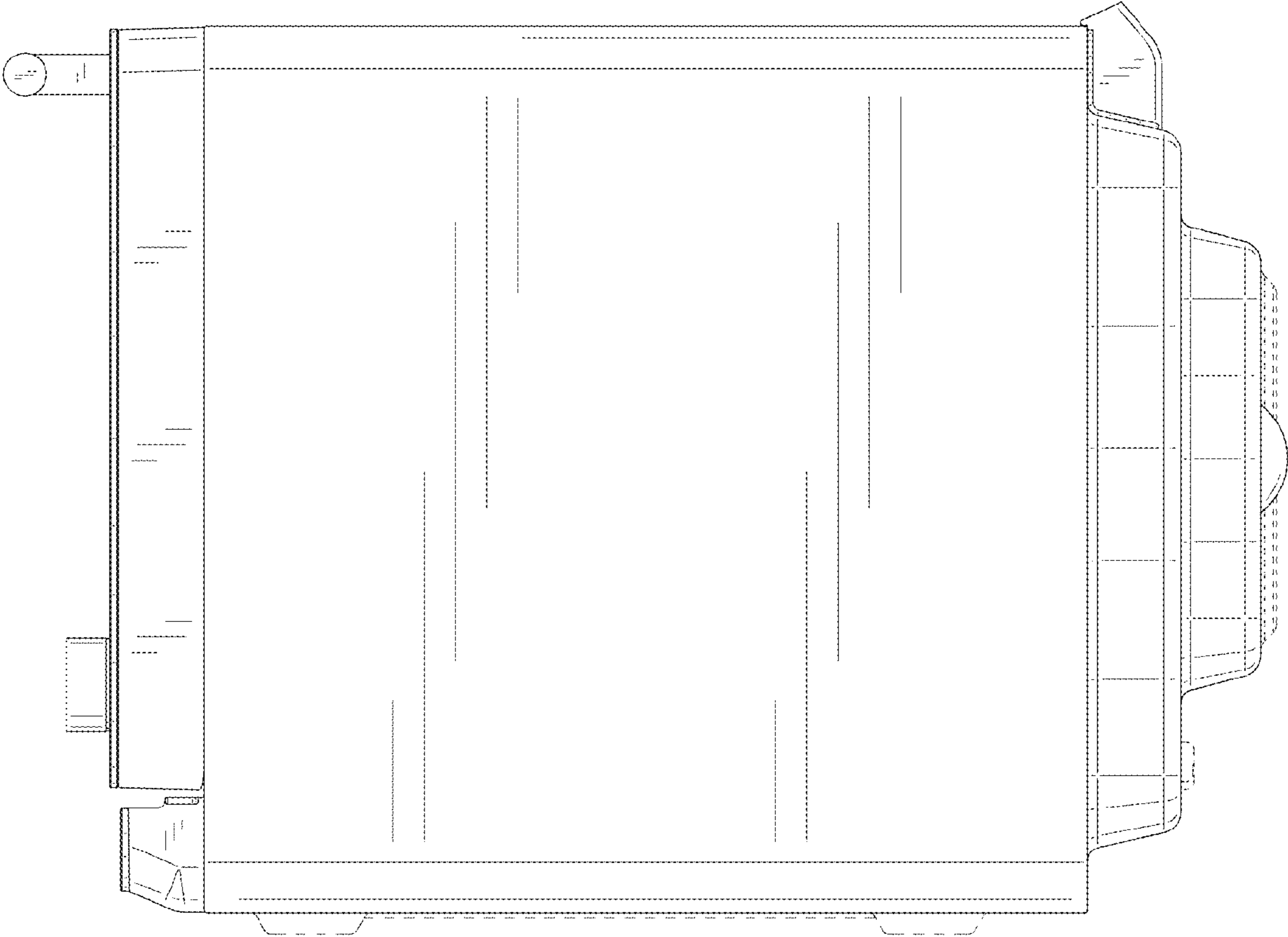


FIG. 6

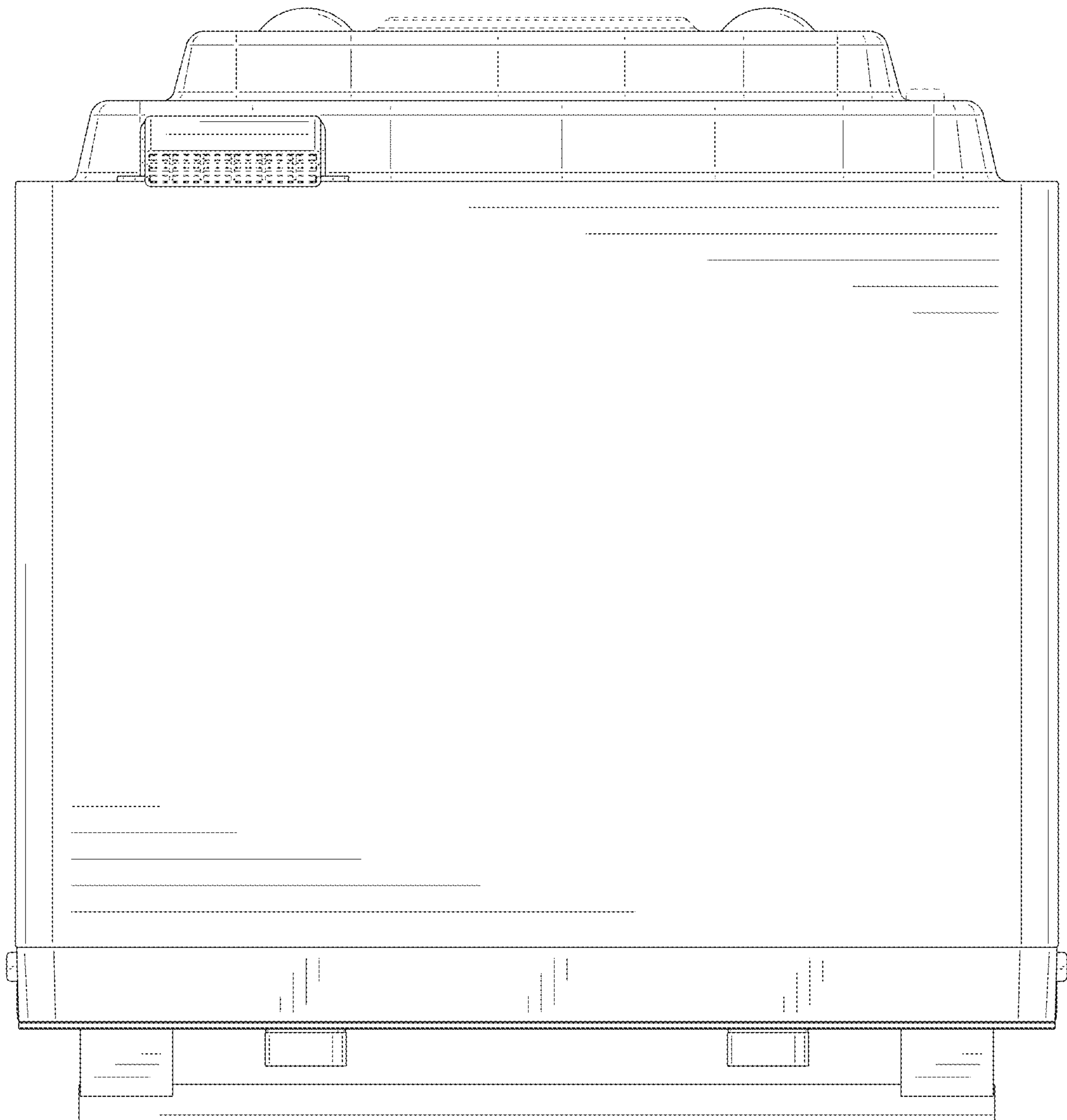


FIG. 7