



US00D976632S

(12) **United States Design Patent**  
**Wong**

(10) **Patent No.:** **US D976,632 S**  
(45) **Date of Patent:** **\*\* Jan. 31, 2023**

(54) **OVEN**  
(71) Applicant: **CONAIR CORPORATION**, Stamford, CT (US)  
(72) Inventor: **Chi Ho Kurt Wong**, Yuen Long (HK)  
(73) Assignee: **Conair LLC**, Stamford, CT (US)  
(\*\*) Term: **15 Years**

D585,235 S 1/2009 Tetreault et al.  
D587,959 S 3/2009 Hensel et al.  
D664,388 S 7/2012 Park et al.  
8,669,500 B2 3/2014 Hensel et al.  
8,748,783 B2 6/2014 Hensel et al.  
(Continued)

(21) Appl. No.: **29/769,544**

(22) Filed: **Feb. 5, 2021**

(51) **LOC (14) Cl.** ..... **07-02**

(52) **U.S. Cl.**  
USPC ..... **D7/350.1**

(58) **Field of Classification Search**  
USPC ..... D7/323, 332-339, 347-351, 387,  
D7/402-405; D21/523-525  
CPC ..... A47J 37/00; A47J 37/06; A47J 37/0623;  
A47J 37/0629; A47J 37/0635; A47J  
37/0641; A47J 37/0647; A47J 37/0652;  
A47J 37/0658; A47J 37/067; A47J 37/07;  
A47J 37/0704; A47J 37/0709; A47J  
37/0713; A47J 37/0763; A47J 37/0871  
See application file for complete search history.

(56) **References Cited**

**U.S. PATENT DOCUMENTS**

1,841,301 A 1/1932 Schroeder et al.  
4,028,517 A 6/1977 Tanaka et al.  
4,130,749 A 12/1978 Tanaka et al.  
D329,569 S 9/1992 Ichihara et al.  
D330,144 S 10/1992 Takebata et al.  
D527,572 S 9/2006 Lee et al.  
D540,104 S 4/2007 Jeon  
D542,588 S 5/2007 Jeon  
D550,502 S 9/2007 Jeon  
D564,283 S 3/2008 Leung et al.

**FOREIGN PATENT DOCUMENTS**

CA 80773 D 9/1997  
CA 167800 S 10/2016  
WO 2018103961 A1 6/2018

**OTHER PUBLICATIONS**

Cuisinart TOA-95 Digital AirFryer Toaster Oven, first available Sep. 22, 2021, Amazon, [online], [site visited Sep. 27, 2022], Available from internet URL: <https://www.amazon.com/Cuisinart-TOA-95-Digital-AirFry-Toaster/dp/B09GW7PDZ1> (Year: 2022).\*

*Primary Examiner* — Mary Ann Calabrese  
*Assistant Examiner* — Natalya M Rapundalo  
(74) *Attorney, Agent, or Firm* — Ruggiero McAllister & McMahon LLC

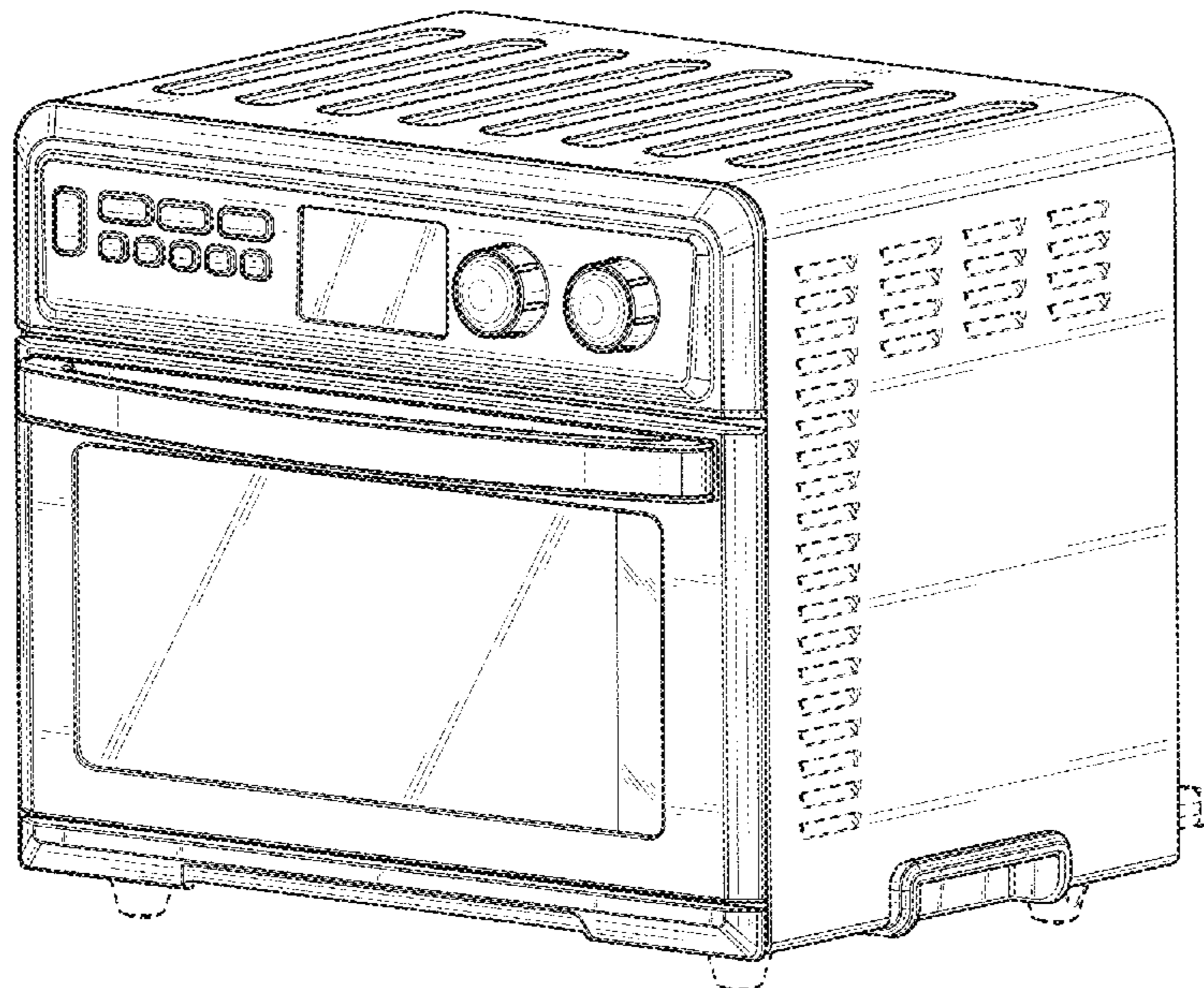
(57) **CLAIM**

The ornamental design for an oven, as shown and described.

**DESCRIPTION**

FIG. 1 is a front perspective view of an ornamental design for an oven according to the present invention; FIG. 2 is a front elevational view of the oven of FIG. 1; FIG. 3 is a rear elevational view of the oven of FIG. 1; FIG. 4 is a left side elevational view of the oven of FIG. 1; FIG. 5 is a right side elevational view of the oven of FIG. 1; FIG. 6 is a top plan view of the oven of FIG. 1; and, FIG. 7 is a bottom plan view of the oven of FIG. 1. The broken lines shown in FIGS. 1-7 are for the purpose of illustrating environmental structure and form no part of the claimed design.

**1 Claim, 7 Drawing Sheets**



(56)

**References Cited**

U.S. PATENT DOCUMENTS

D708,005	S	7/2014	Kurt	
8,878,106	B2	11/2014	Hensel et al.	
9,022,018	B2	5/2015	Hensel	
9,756,981	B2	9/2017	Fung	
D819,386	S	6/2018	Gushwa et al.	
D848,197	S *	5/2019	Wong .....	D7/350.4
D870,503	S	12/2019	Gushwa et al.	
D870,504	S	12/2019	Gushwa et al.	
D891,169	S	7/2020	Gushwa et al.	
D892,532	S	8/2020	Gushwa et al.	
D896,019	S *	9/2020	Musanta .....	D7/354
D909,806	S	2/2021	Hu	
D910,363	S	2/2021	Wong	
D912,457	S *	3/2021	Miller .....	D7/350.1
D913,028	S *	3/2021	Wong .....	D7/350.4
D924,615	S *	7/2021	Murad .....	D7/350.1
D927,240	S *	8/2021	Kang .....	D7/348
D931,674	S *	9/2021	Bock .....	D7/350.1
D931,675	S *	9/2021	Bock .....	D7/350.1
D939,263	S *	12/2021	Kang .....	D7/348
D941,075	S *	1/2022	Lavins .....	D7/328
D948,274	S *	4/2022	Finnance .....	D7/350.1
2010/0176114	A1	7/2010	Johnson et al.	
2016/0029829	A1	2/2016	Klein	

\* cited by examiner

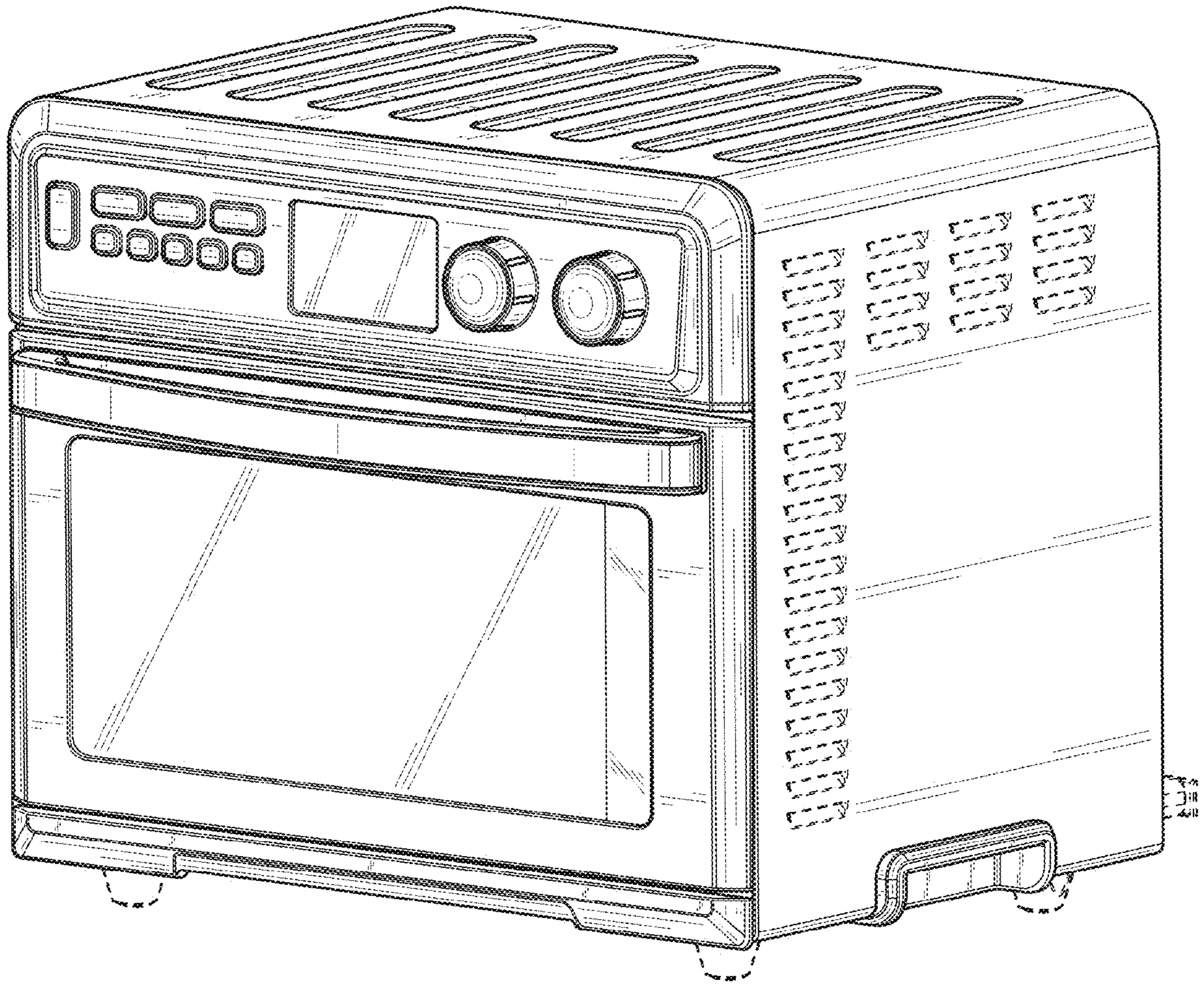


FIG. 1

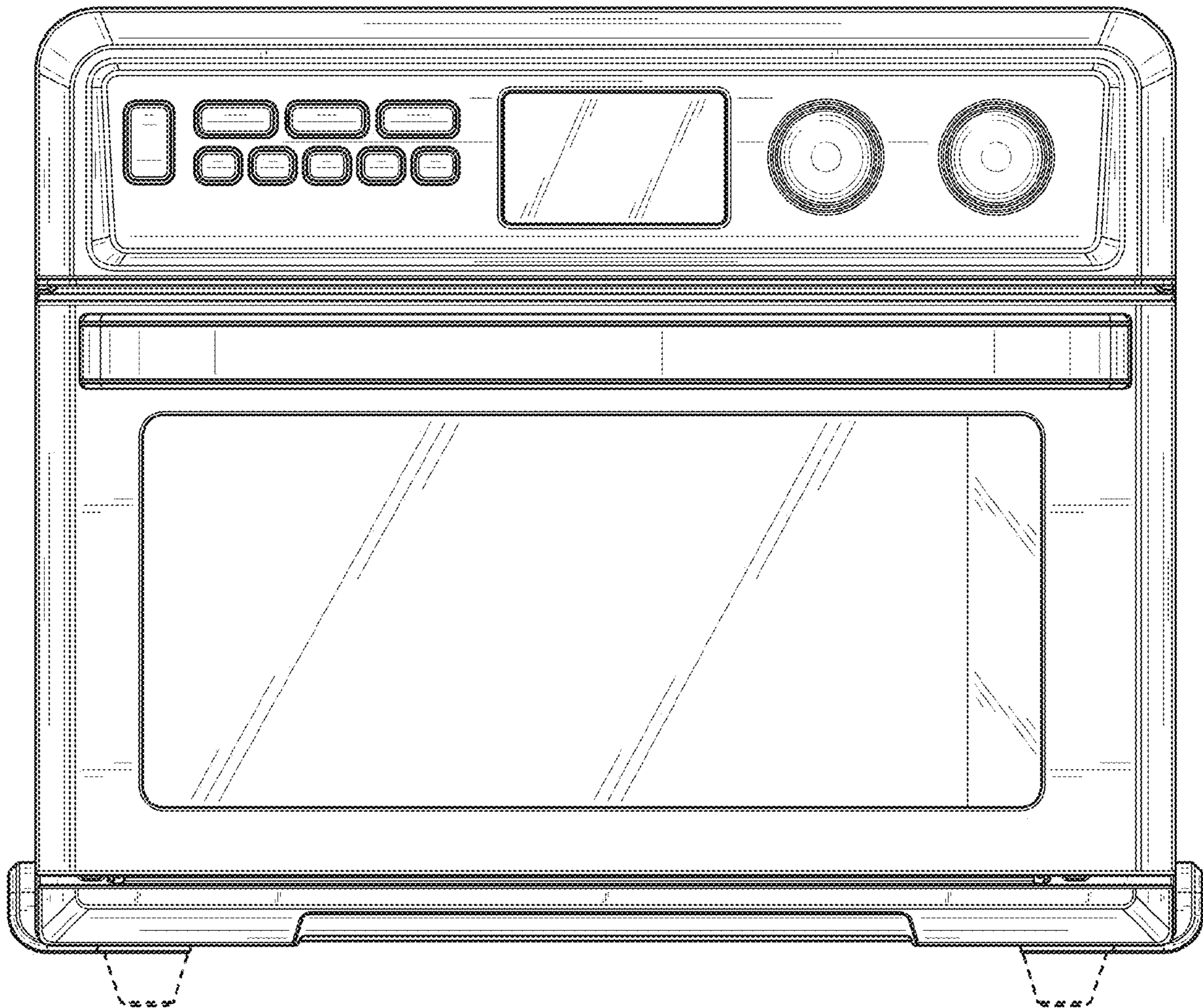


FIG. 2

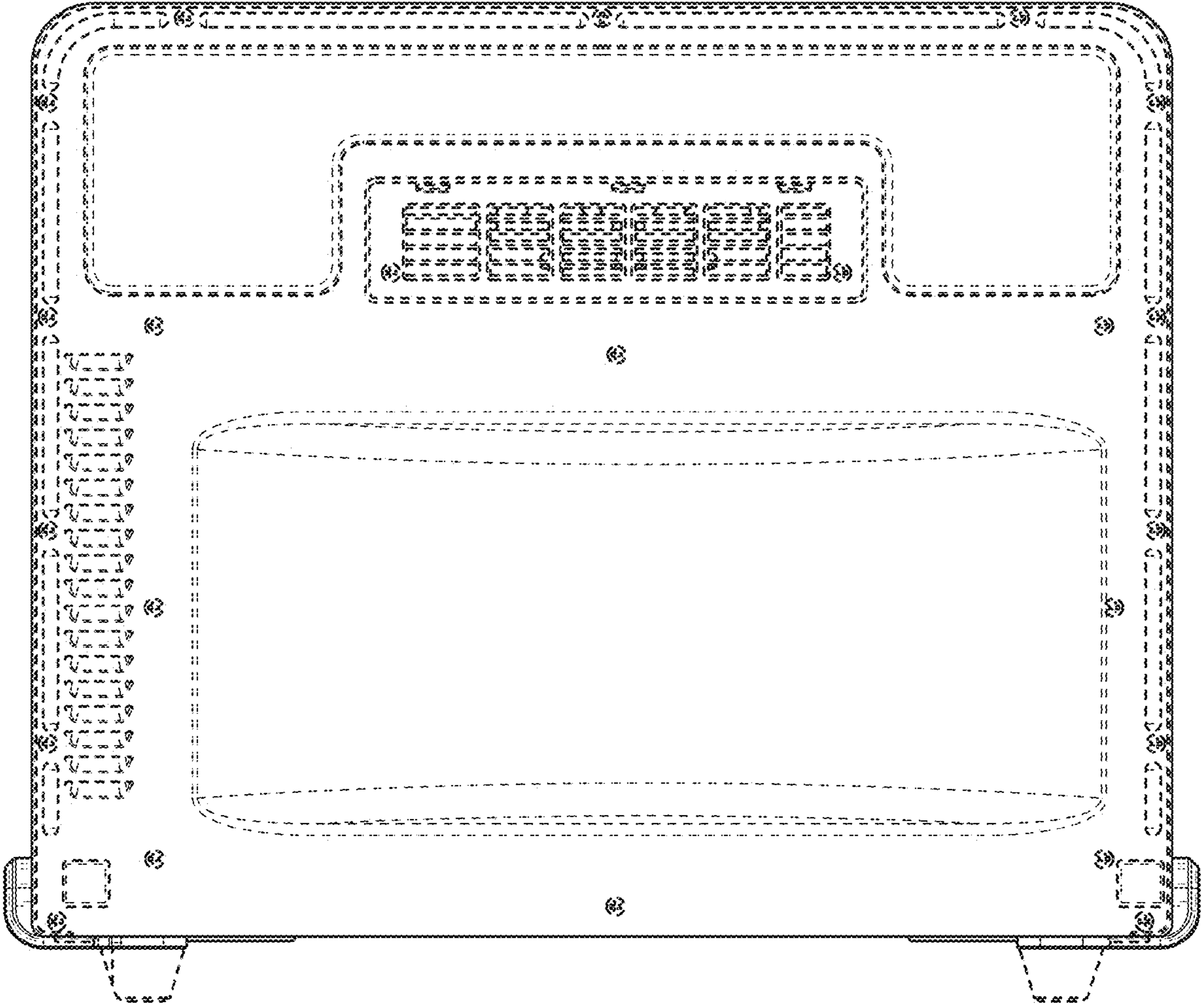


FIG. 3

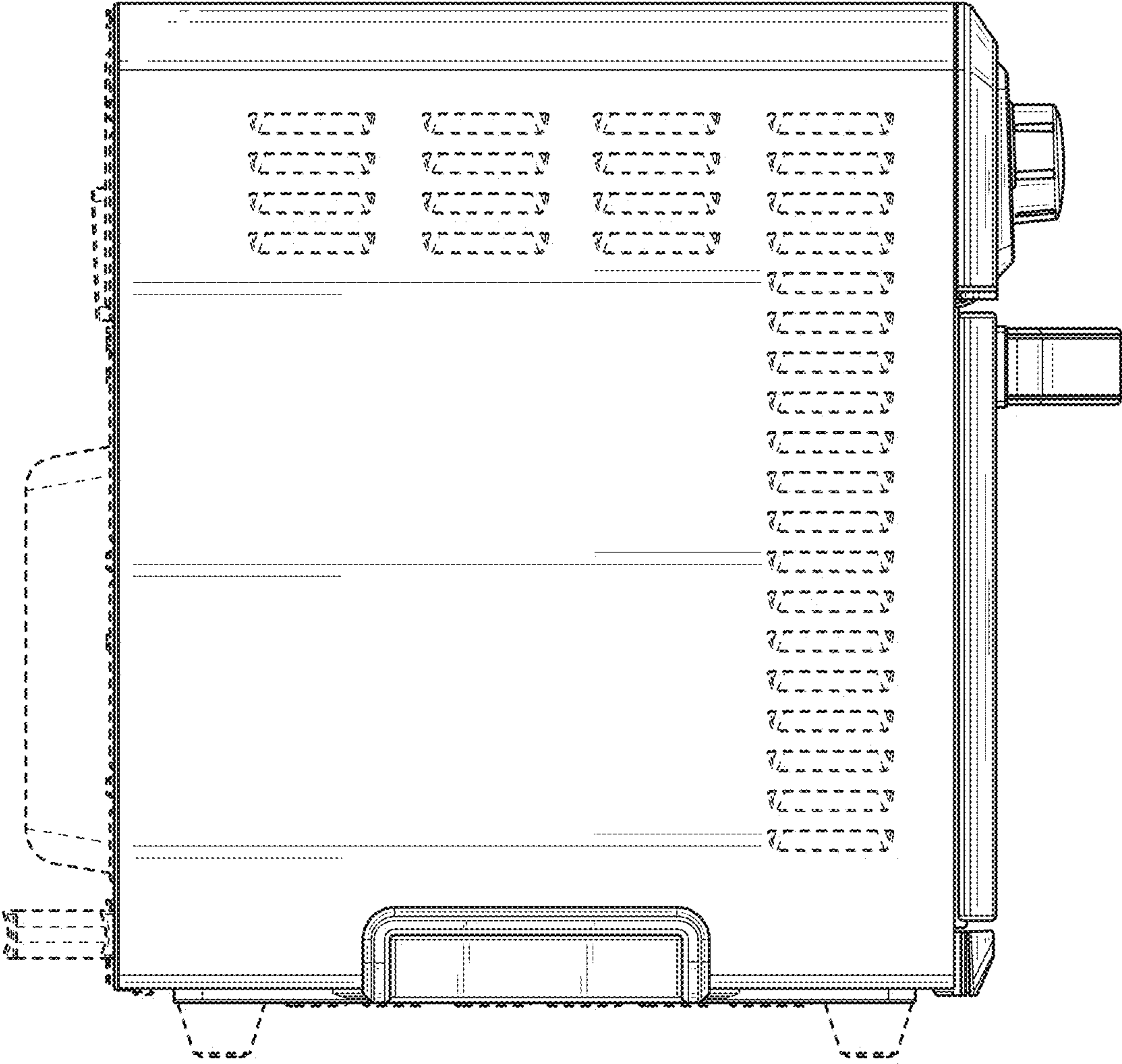


FIG. 4

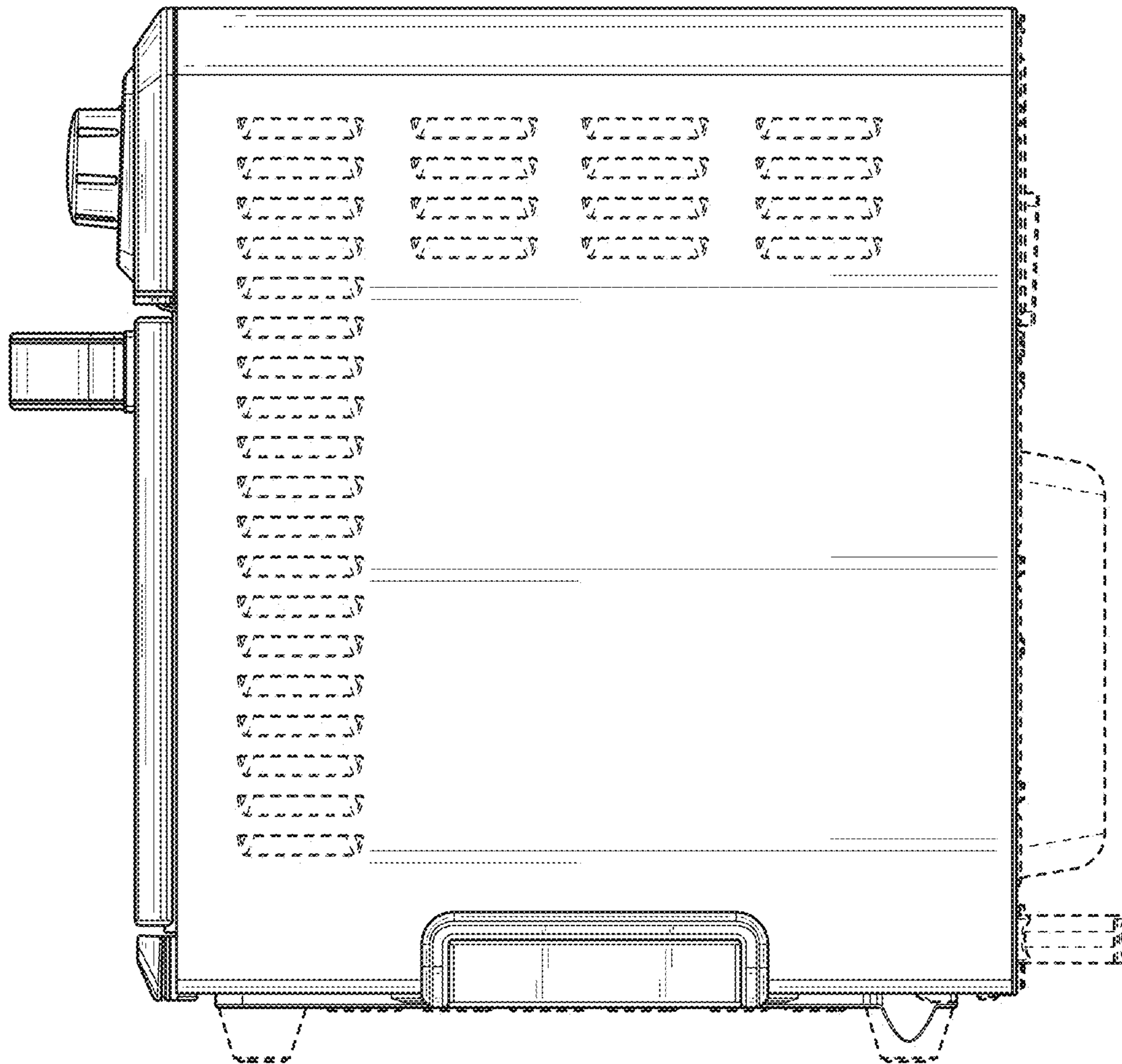


FIG. 5

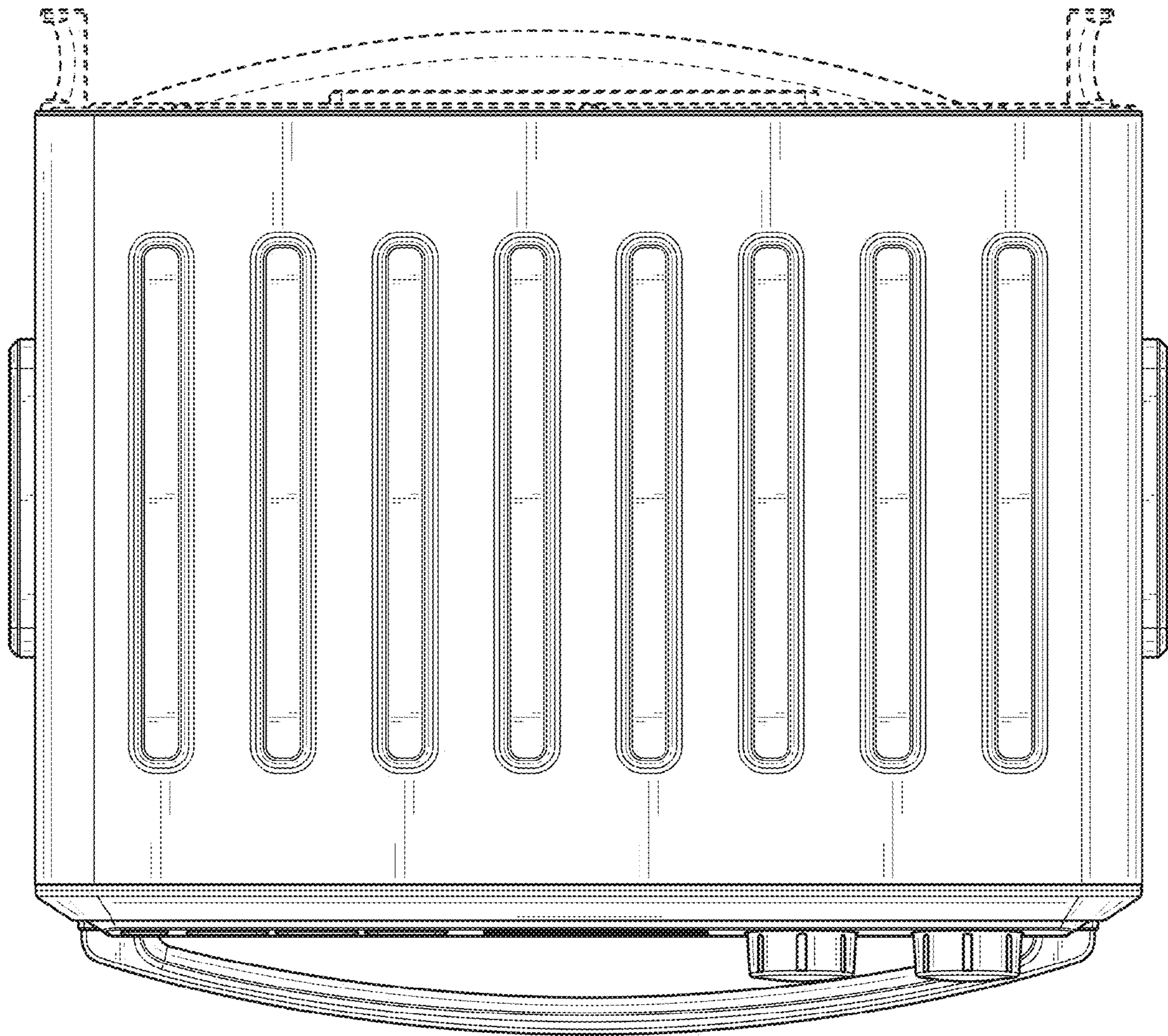


FIG. 6



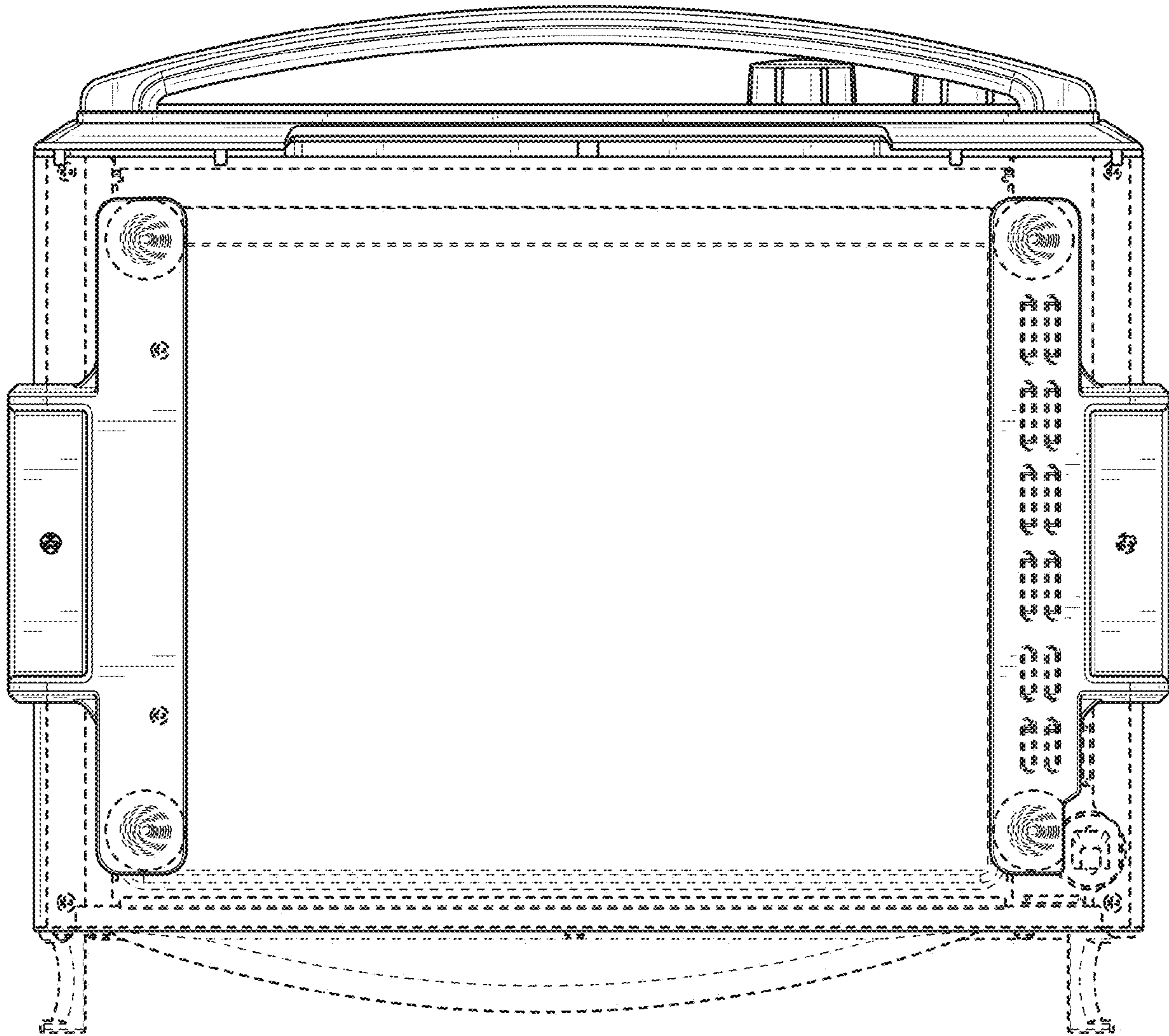


FIG. 7