



US00D976631S

(12) **United States Design Patent** (10) **Patent No.:** **US D976,631 S**
Gozney (45) **Date of Patent:** **** Jan. 31, 2023**

(54) **PIZZA OVEN**
(71) Applicant: **Gozney Group Ltd.**, Christchurch (GB)
(72) Inventor: **Thomas Robert Gozney**, Christchurch (GB)
(73) Assignee: **Gozney Group Ltd.**, Christchurch (GB)
(**) Term: **15 Years**
(21) Appl. No.: **29/686,626**
(22) Filed: **Apr. 5, 2019**
(51) **LOC (14) Cl.** **07-02**
(52) **U.S. Cl.**
USPC **D7/348**; D7/332
(58) **Field of Classification Search**
USPC D7/332-338, 402-409, 355, 356, 360, D7/362, 364, 365, 366, 363, 352, 339, D7/347, 348; D23/343, 348, 332, 335, D23/314, 345, 415, 350; D3/294-296, D3/276, 905
CPC A47J 37/07-0763; A47J 37/0781; A47J 37/0786; A47J 2037/0777; A47J 33/00; A47J 2201/00; A47J 37/0623; F24C 3/14; F24C 1/16; F24C 5/20; F24B 1/181; F24B 1/19; F24B 1/195; F24B 1/00; F24B 1/202-207; F24B 3/00; F23B 20/00
See application file for complete search history.

D845,695 S * 4/2019 Wu D7/334
2006/0225723 A1 * 10/2006 Yu A47J 37/0704
126/4
2014/0026881 A1 * 1/2014 Abrams A47J 37/0713
126/25 R
2014/0130788 A1 * 5/2014 Contarino, Jr. A47J 37/0786
126/25 R

(Continued)

FOREIGN PATENT DOCUMENTS

DE WO2005082213 * 9/2005
FR 2392641 A1 * 12/1978 F24B 1/202

(Continued)

OTHER PUBLICATIONS

Primavera Series Wood Fired Pizza Oven, Sep. 5, 2015, Forno Bravo, <https://www.fornobravo.com/product-series/primavera-series-wood-ovens/> (Year: 2015).*

Primary Examiner — Brett Miller
(74) *Attorney, Agent, or Firm* — Donn K. Harms

(57) **CLAIM**

The ornamental design for a pizza oven, as shown and described.

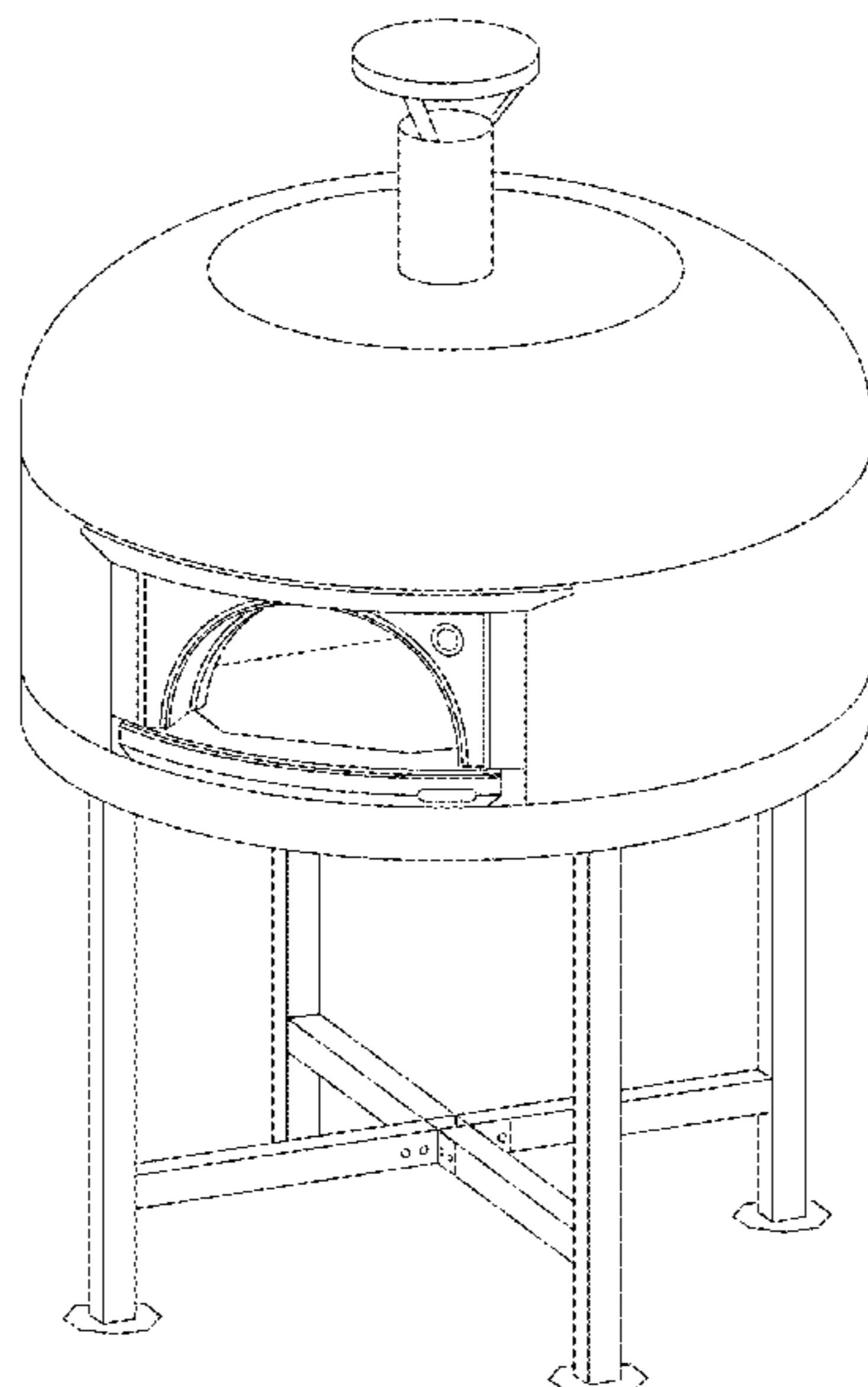
DESCRIPTION

FIG. 1 is a top, front perspective view of a pizza oven showing my new design;
FIG. 2 is a right side view thereof;
FIG. 3 is a left side view thereof;
FIG. 4 is a front side view thereof;
FIG. 5 is a rear side view thereof;
FIG. 6 is a top view thereof; and,
FIG. 7 is a bottom view thereof.
The broken lines shown in FIGS. 1-5 and 7 depict portions of the pizza oven that form no part of the claimed design.

1 Claim, 6 Drawing Sheets

(56) **References Cited**
U.S. PATENT DOCUMENTS

D275,516 S * 9/1984 Perrin, Sr. D23/343
5,850,780 A * 12/1998 Mascia A47J 37/042
99/427
D483,603 S * 12/2003 Minidis D7/348
D577,947 S * 10/2008 Wimmer D7/350.1
D640,499 S * 6/2011 King D7/348
D688,507 S * 8/2013 Hill D7/323
D820,026 S * 6/2018 Russo Krauss D7/339



(56)

References Cited

U.S. PATENT DOCUMENTS

2014/0311355 A1* 10/2014 Hegarty F24C 15/14
99/331
2015/0164278 A1* 6/2015 Kohler A47J 37/0763
99/340
2020/0054167 A1* 2/2020 Formisano A47J 37/0763

FOREIGN PATENT DOCUMENTS

FR 2607362 A1 * 6/1988 F24B 1/202
GB 4042093 * 7/2015
GB 5002192 * 3/2016
GB 6010712 * 4/2017

* cited by examiner

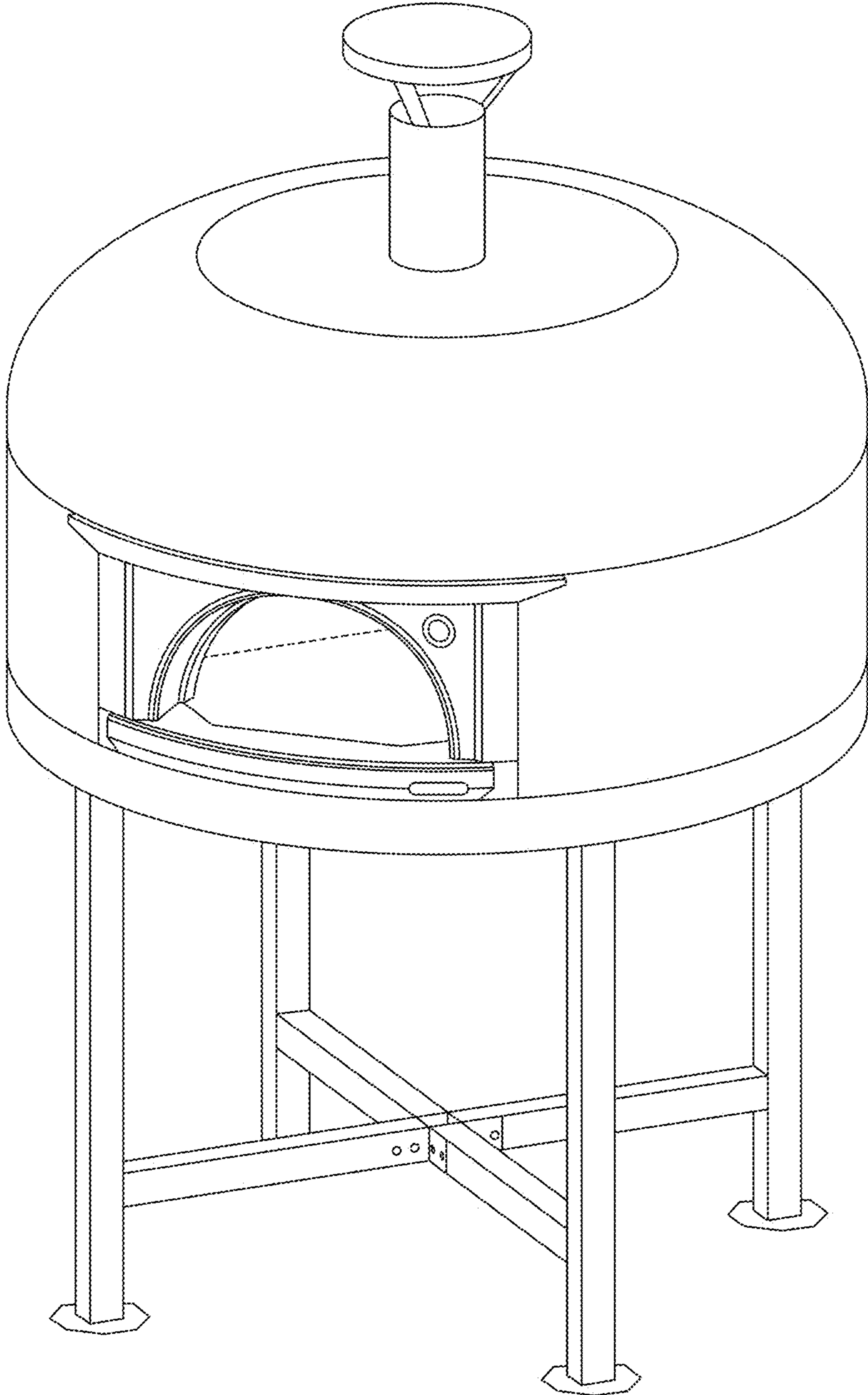


FIG. 1

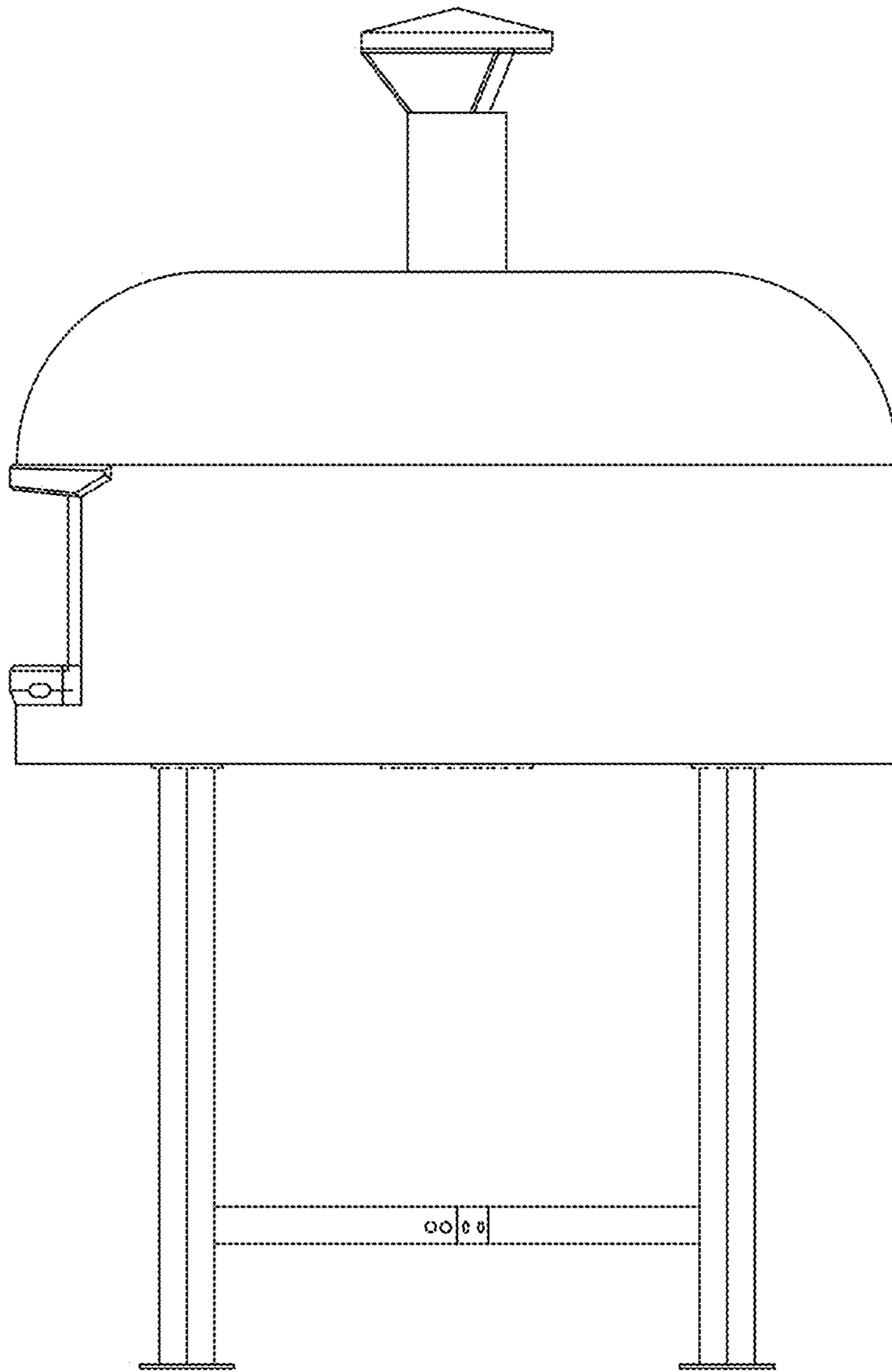


FIG. 2

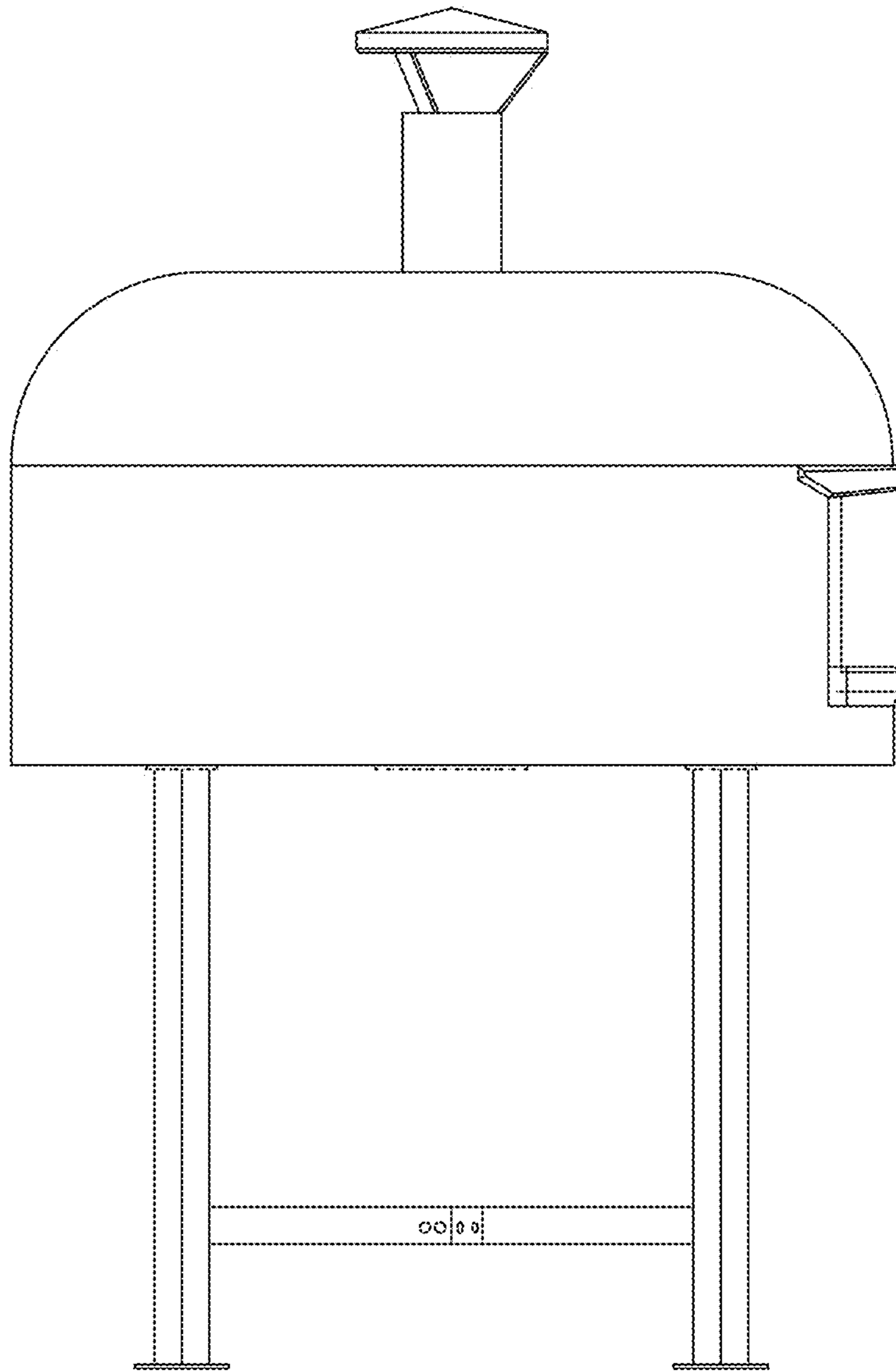


FIG. 3

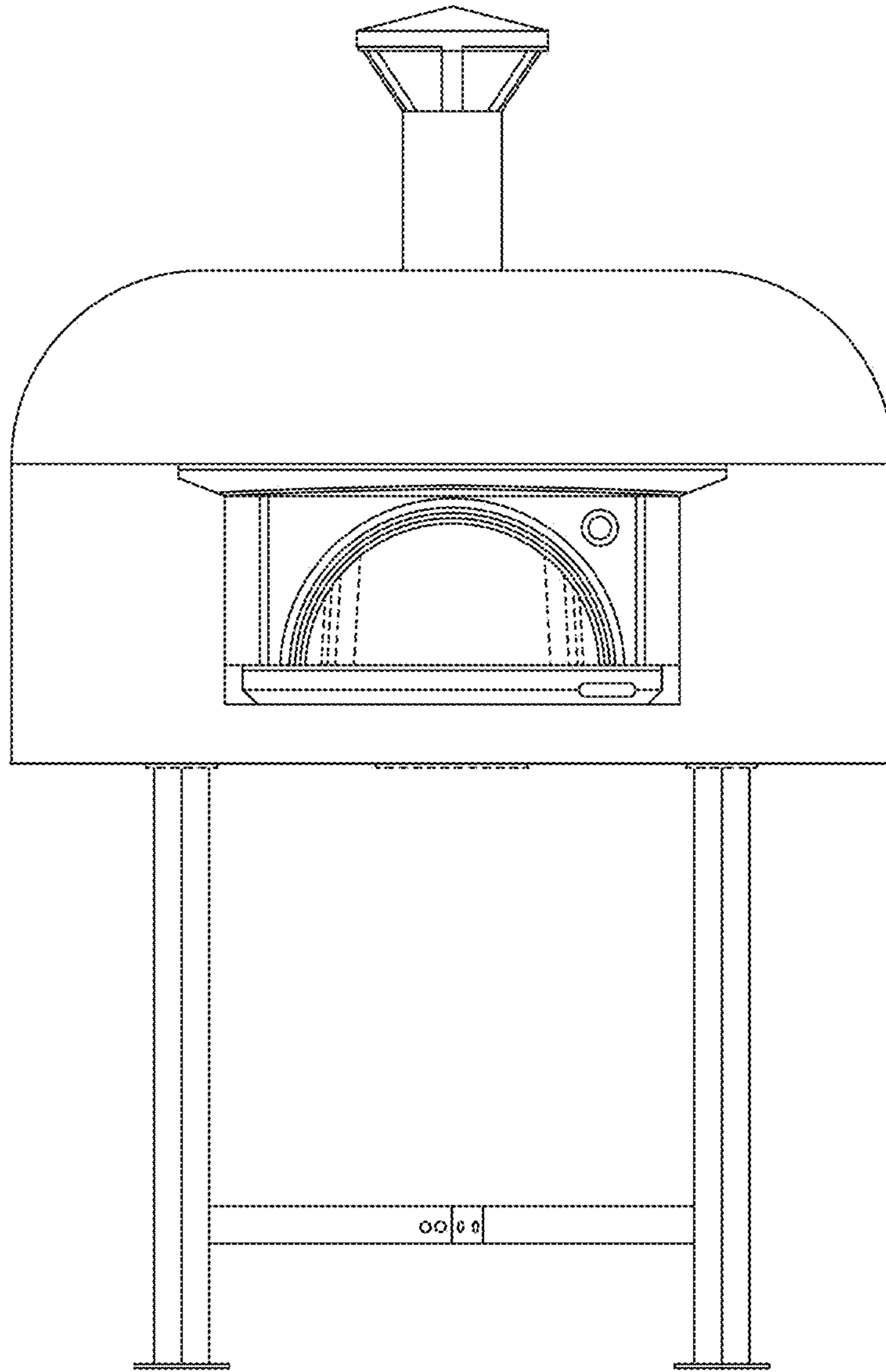


FIG. 4

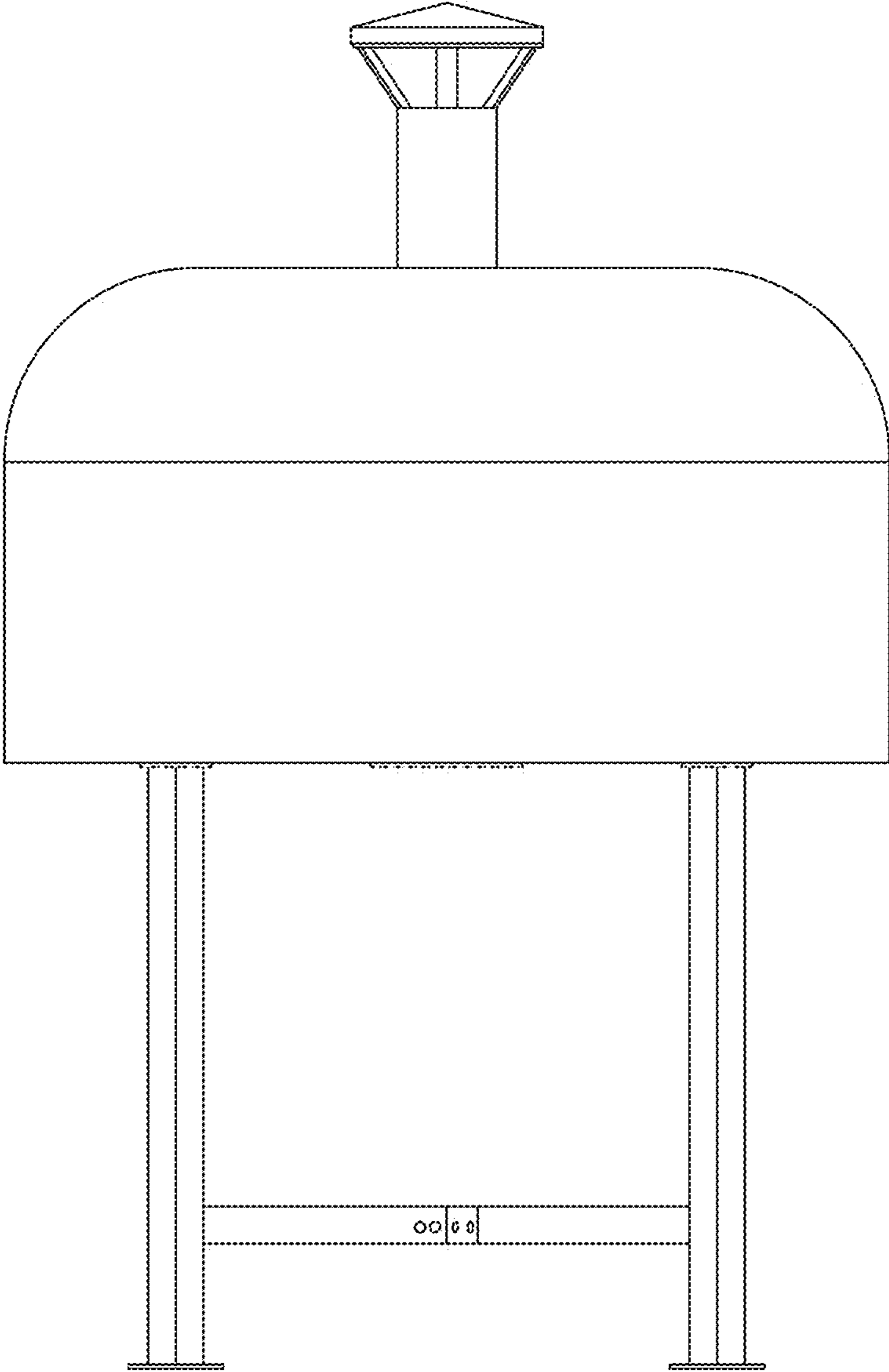


FIG. 5

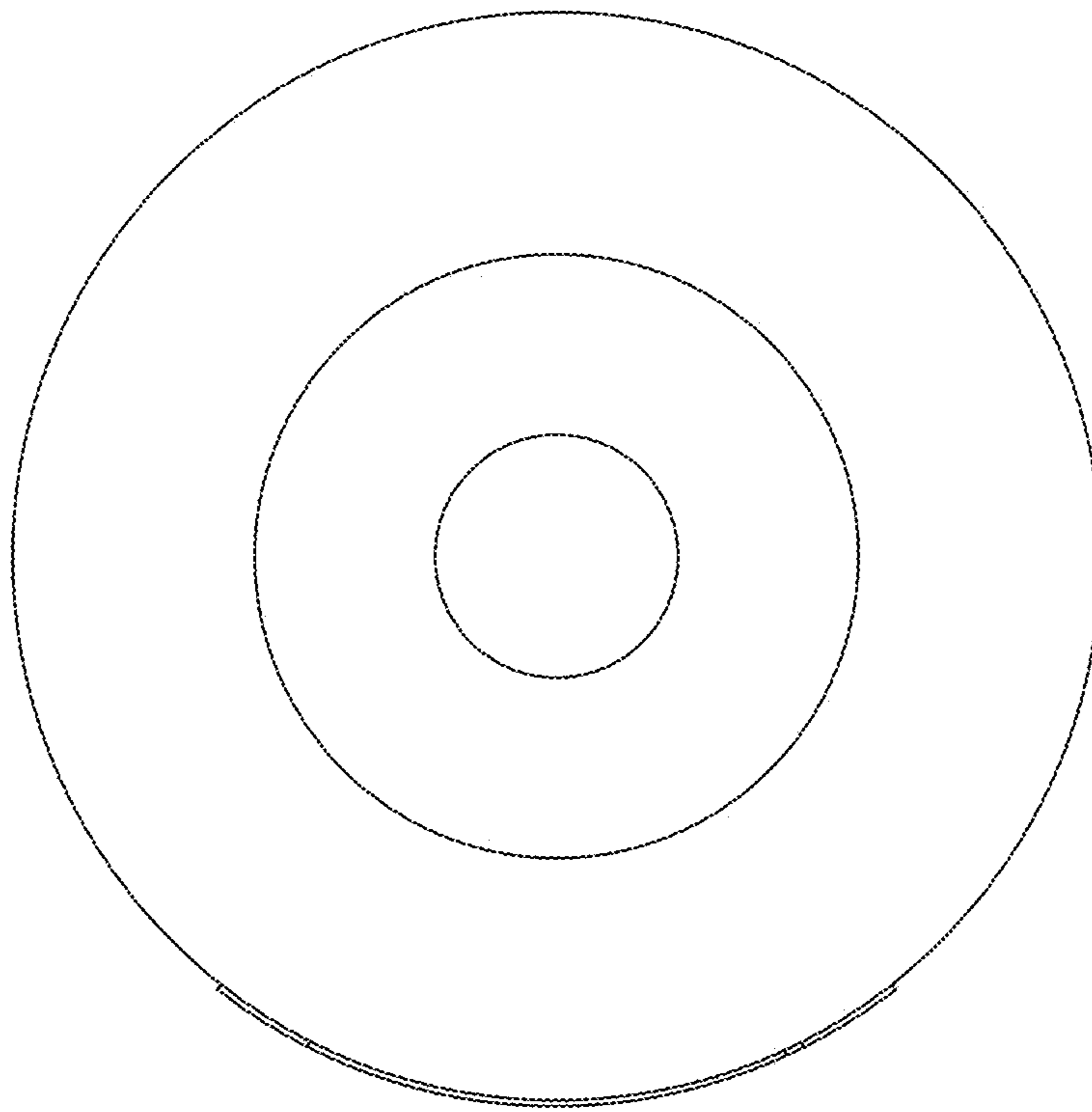


FIG. 6

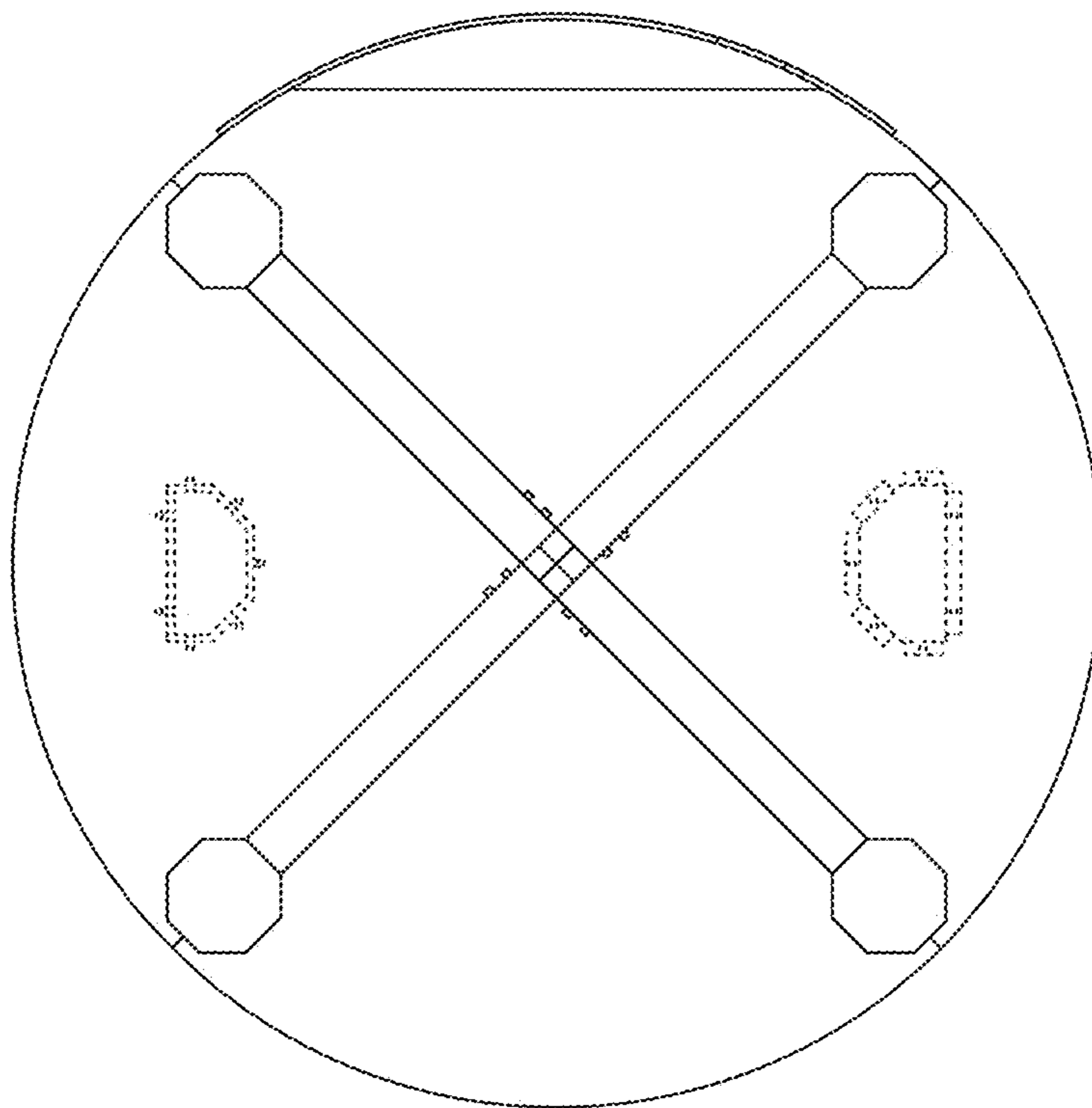


FIG. 7