



US00D976630S

(12) **United States Design Patent**
Emre

(10) **Patent No.:** **US D976,630 S**

(45) **Date of Patent:** **** Jan. 31, 2023**

(54) **BAGEL MAKING MACHINE**

D883,732 S * 5/2020 Marzaro D7/372
D921,412 S * 6/2021 Steiner D7/330

(71) Applicant: **EMRE ENDÜSTRIYEL MUTFAK
EKIPMANLARI SANAYI TICARET
LIMITED**, Ankara (TR)

* cited by examiner

Primary Examiner — Khawaja Anwar

(72) Inventor: **Ramazan Emre**, Samsun (TR)

(74) *Attorney, Agent, or Firm* — Egbert, McDaniel &
Swartz, PLLC

(**) Term: **15 Years**

(21) Appl. No.: **35/510,589**

(57) **CLAIM**

(22) Filed: **Oct. 8, 2020**

The ornamental design for a bagel making machine, as
shown and described.

(80) **Hague Agreement Data**

Int. Filing Date: **Jun. 30, 2020**

Int. Reg. No.: **DM/210664**

Int. Reg. Date: **Oct. 8, 2020**

Int. Reg. Pub. Date: **Oct. 16, 2020**

DESCRIPTION

(51) **LOC (14) Cl.** **07-01**

(52) **U.S. Cl.**
USPC **D7/330**

(58) **Field of Classification Search**
USPC D7/328, 329, 330, 331, 339, 340, 341,
D7/342, 343, 344, 345, 346, 347, 348,
D7/349, 351, 352, 390, 402, 405, 406
CPC .. A47J 37/045; A47J 37/0629; A47J 37/0682;
A47J 37/085; A47J 37/0857; A47J
37/0885

See application file for complete search history.

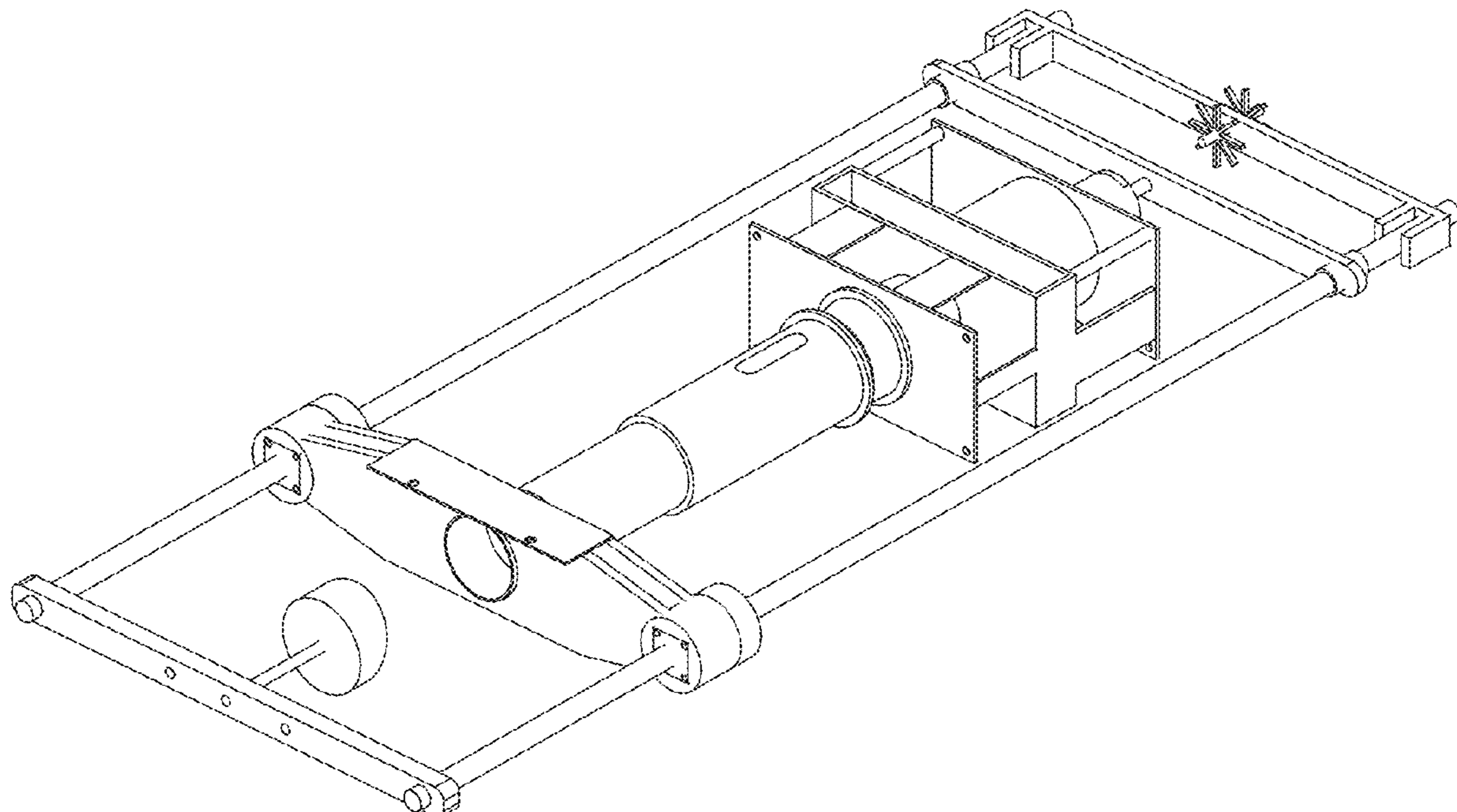
- 1.-2. Bagel making machine
- 3.-14. Bagel making machine part
- 1.1 : Perspective
- 1.2 : Perspective
- 2.1 : Left
- 2.2 : Perspective
- 2.3 : Perspective
- 3.0 : Perspective
- 4.0 : Perspective
- 5.0 : Perspective
- 6.0 : Perspective
- 7.0 : Perspective
- 8.0 : Perspective
- 9.0 : Perspective
- 10.0 : Perspective
- 11.0 : Perspective
- 12.0 : Perspective
- 13.0 : Perspective
- 14.0 : Perspective

(56) **References Cited**

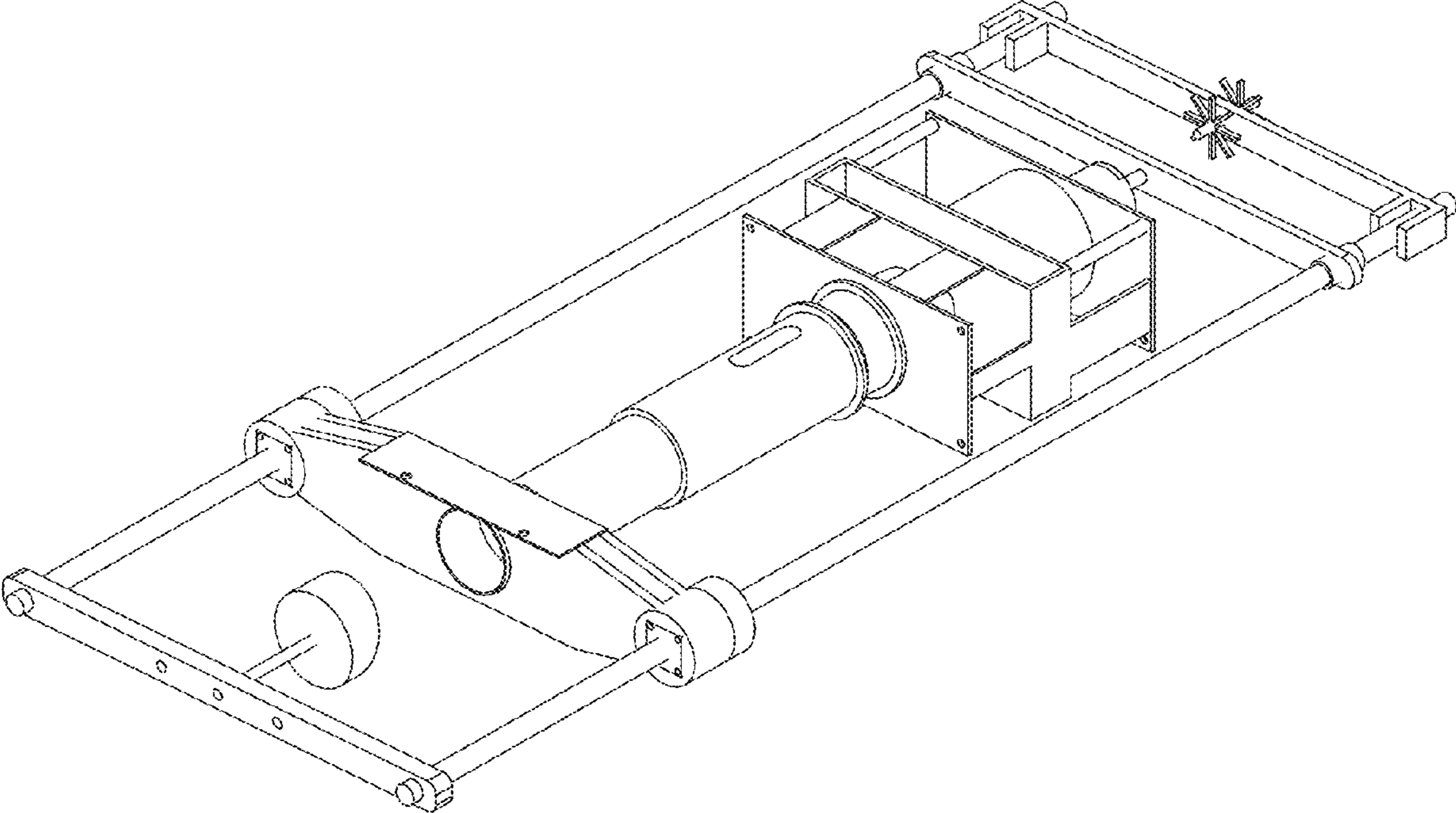
U.S. PATENT DOCUMENTS

D378,484 S * 3/1997 Harrison D7/350.1
D427,010 S * 6/2000 Huang D7/381

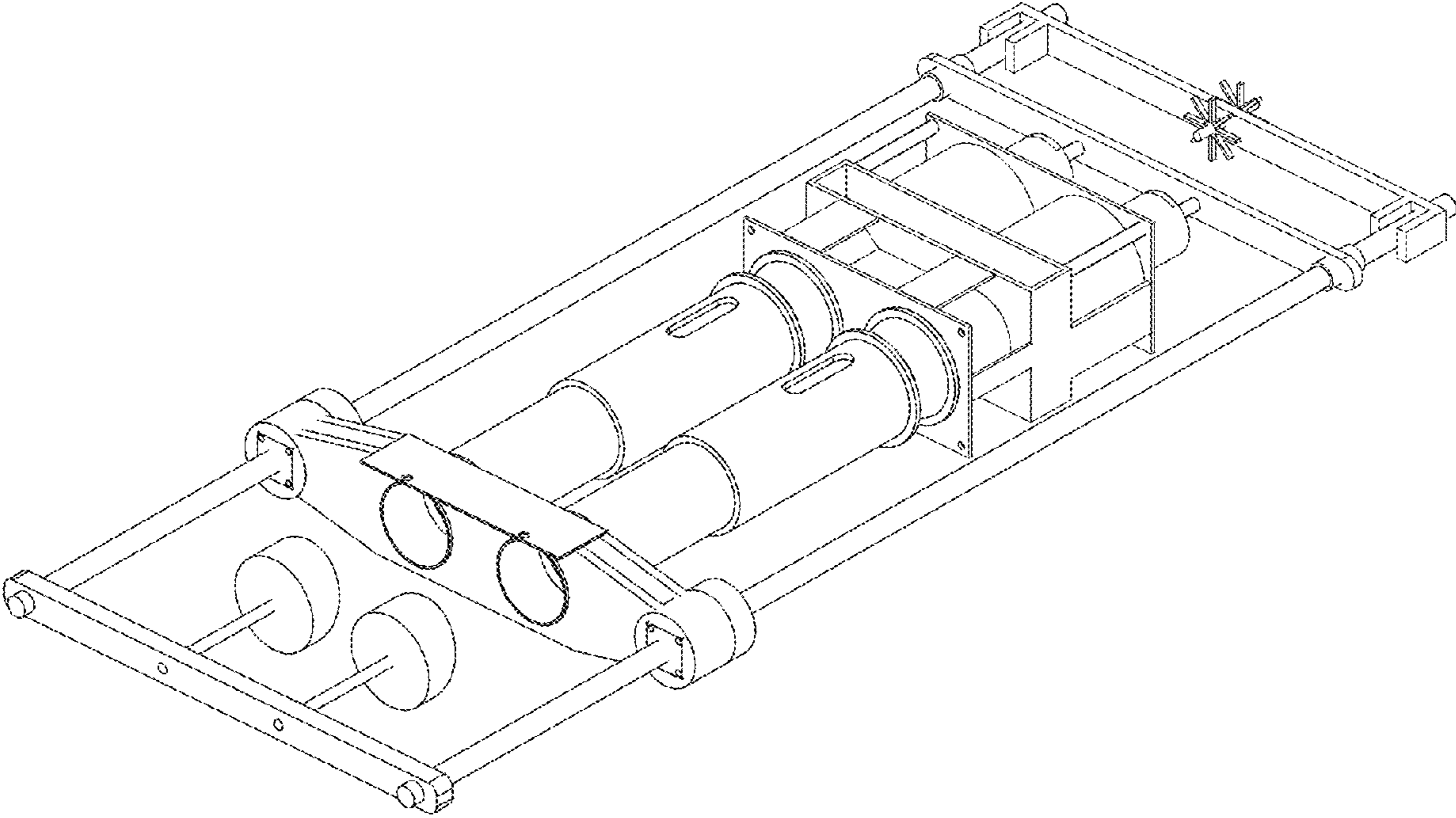
1 Claim, 12 Drawing Sheets



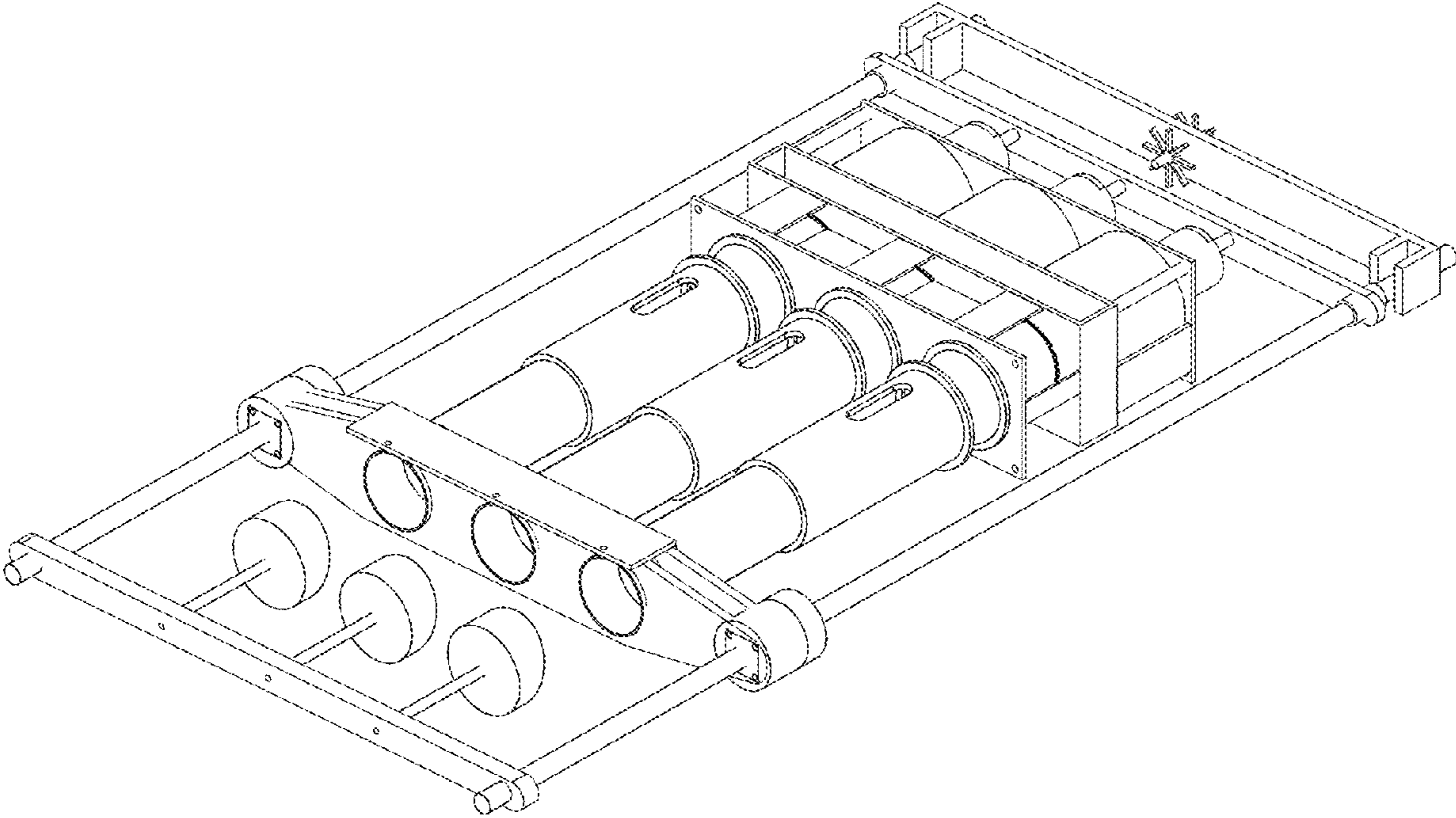
3



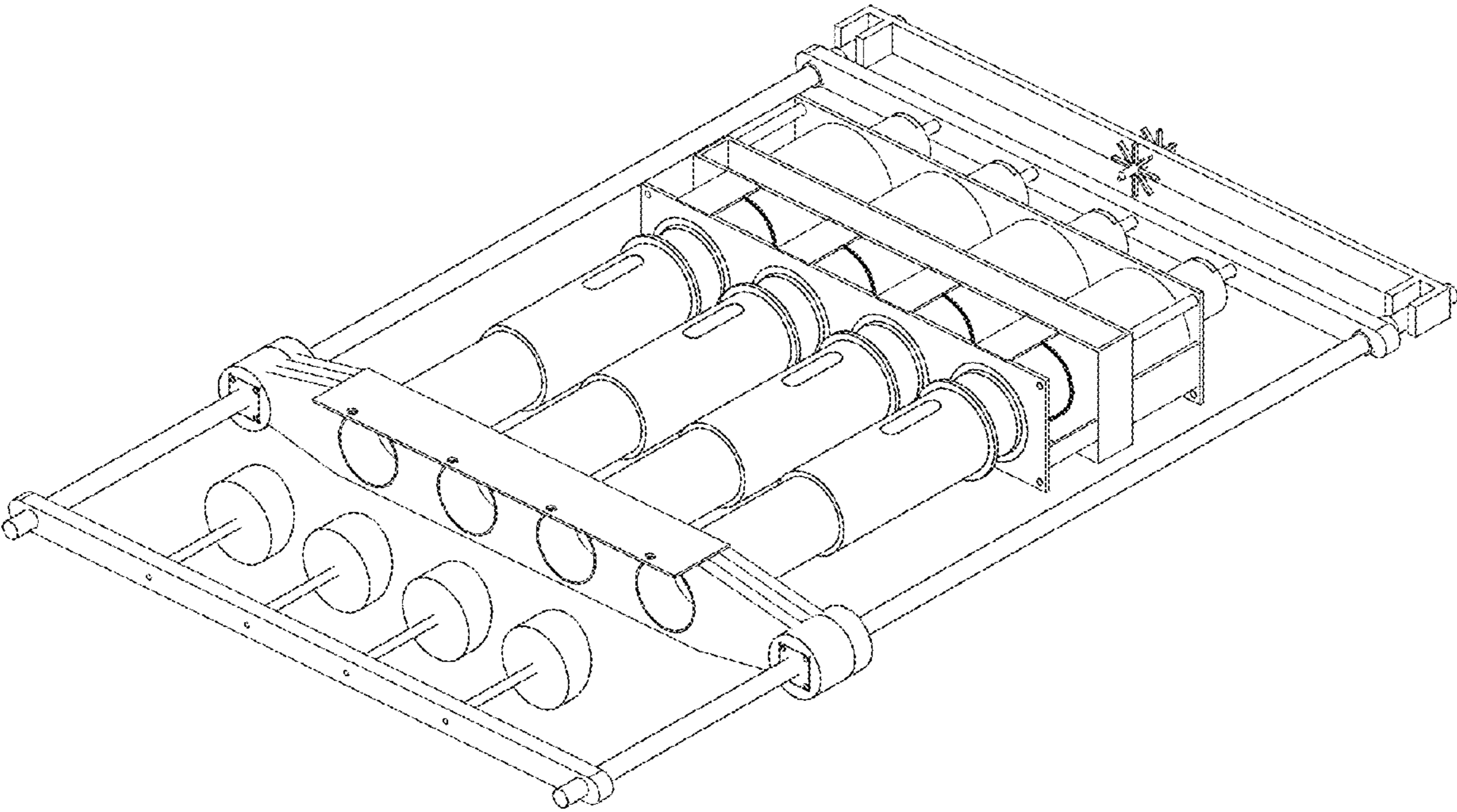
4



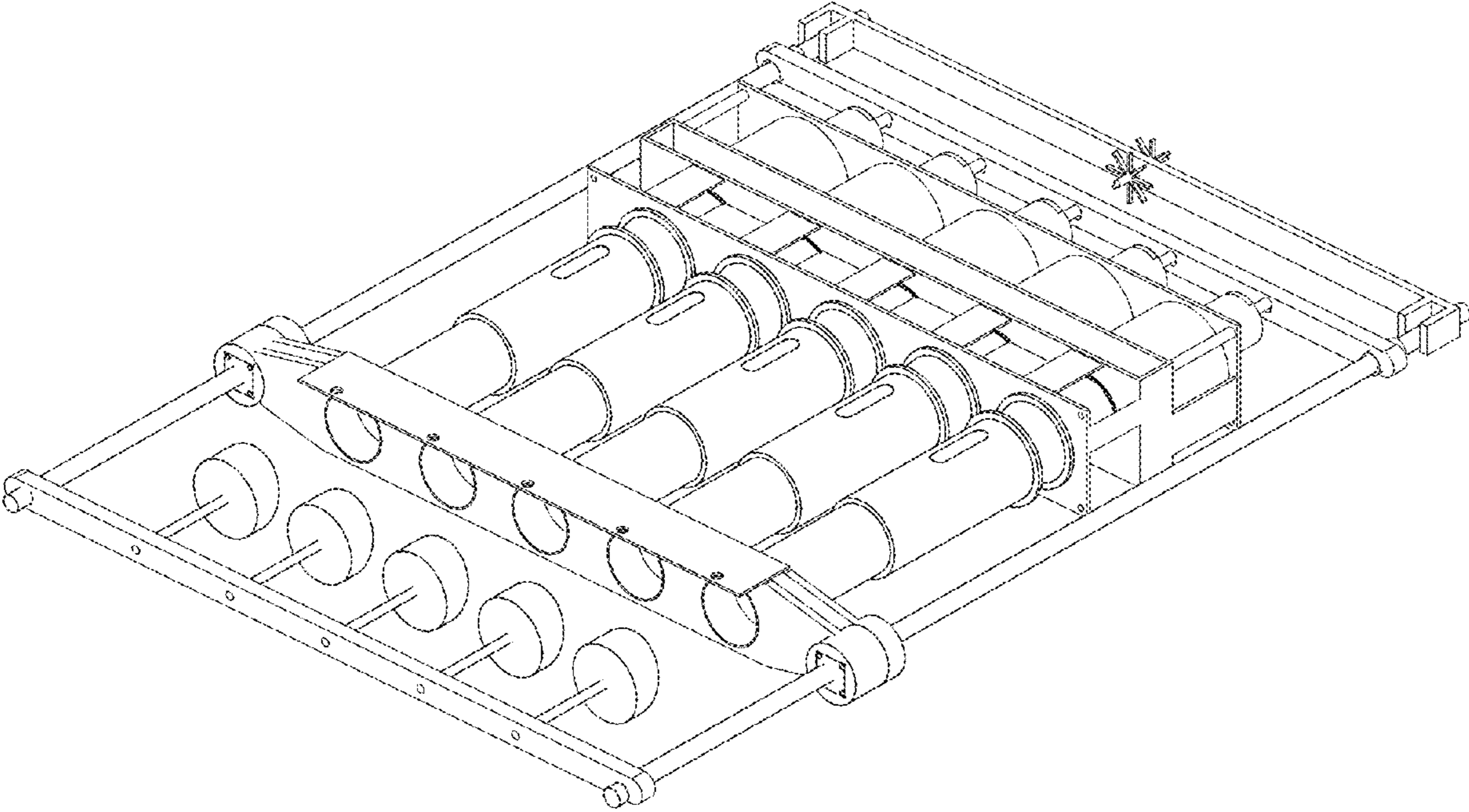
5



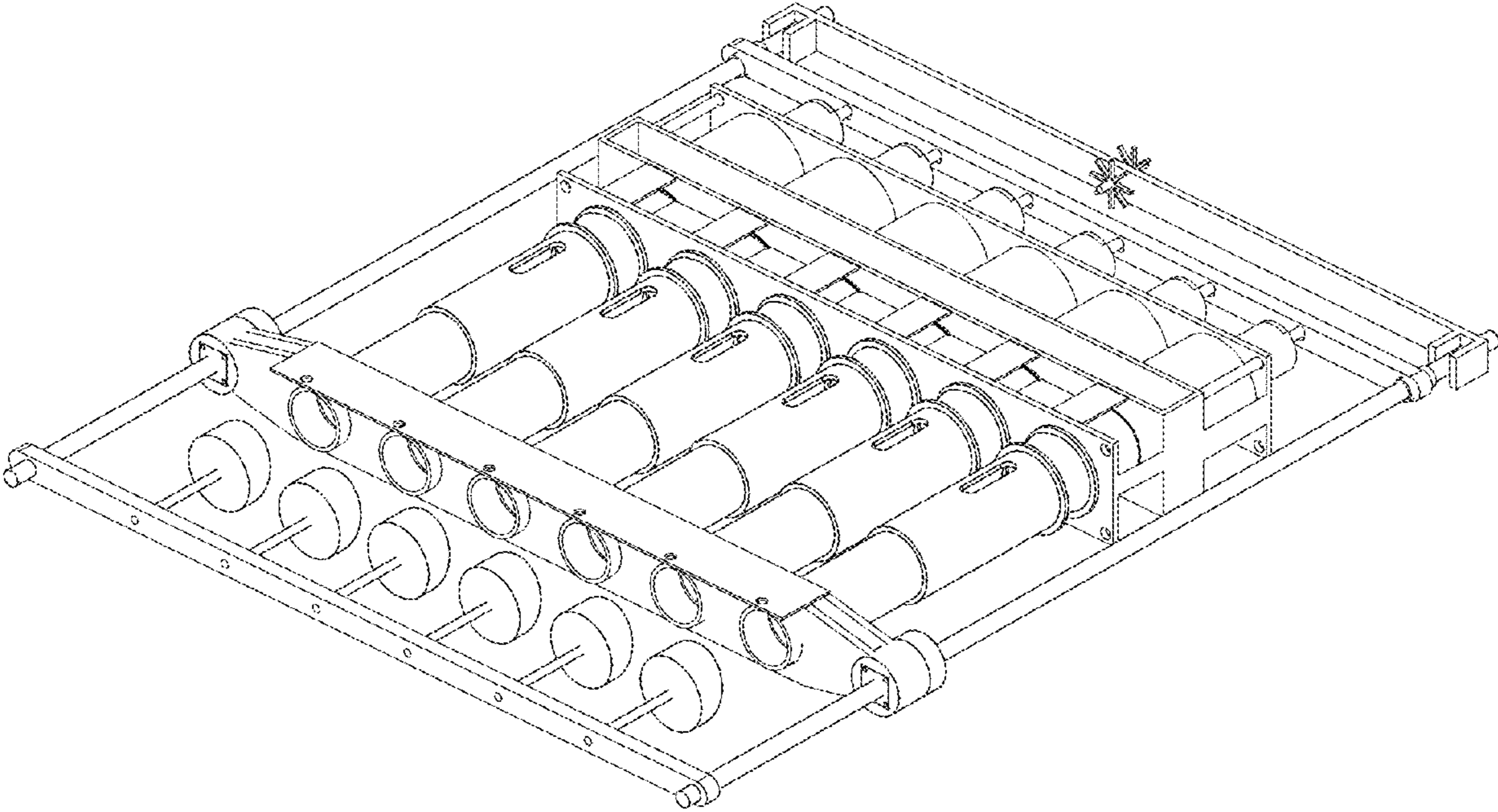
6



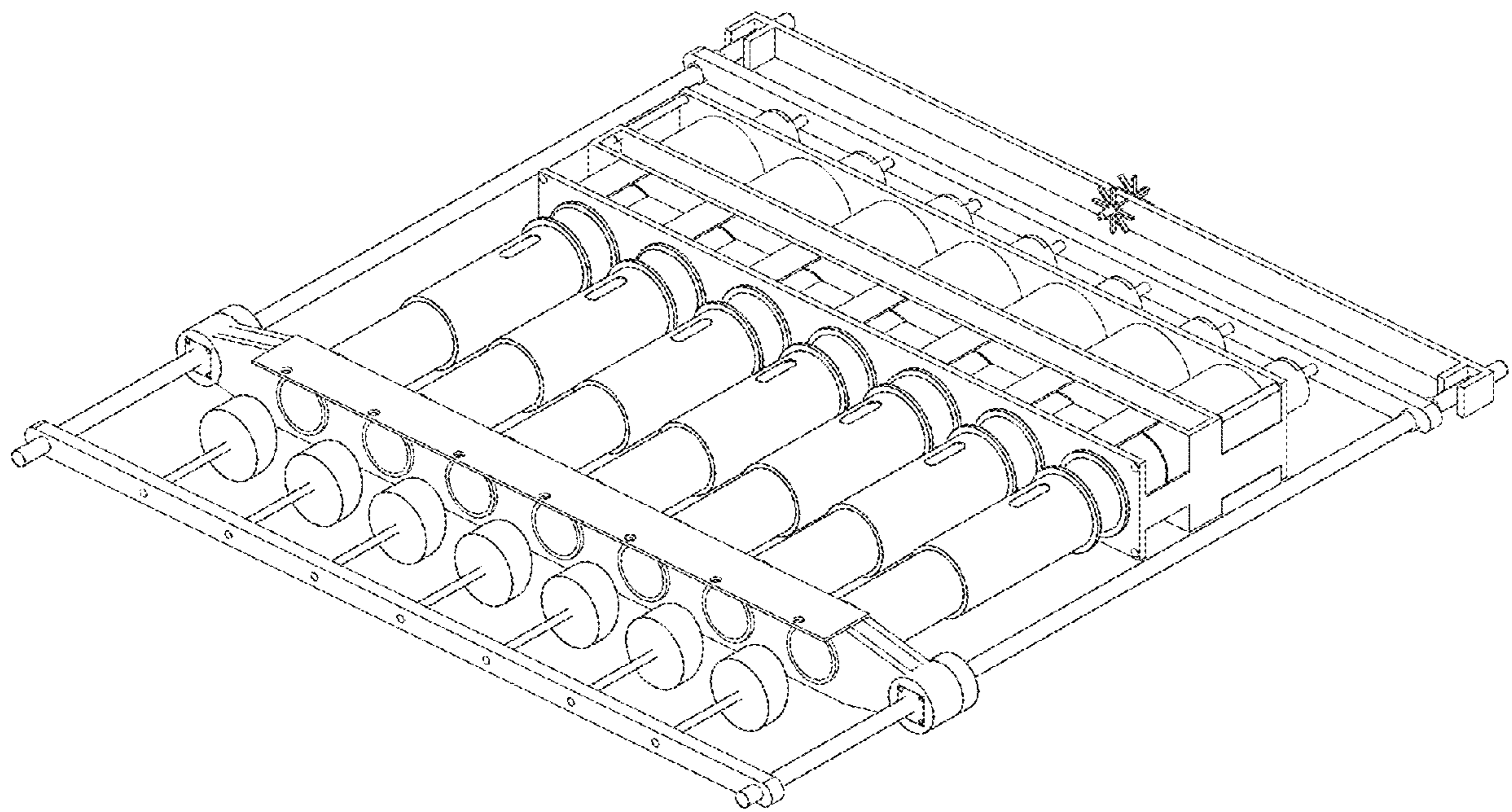
7



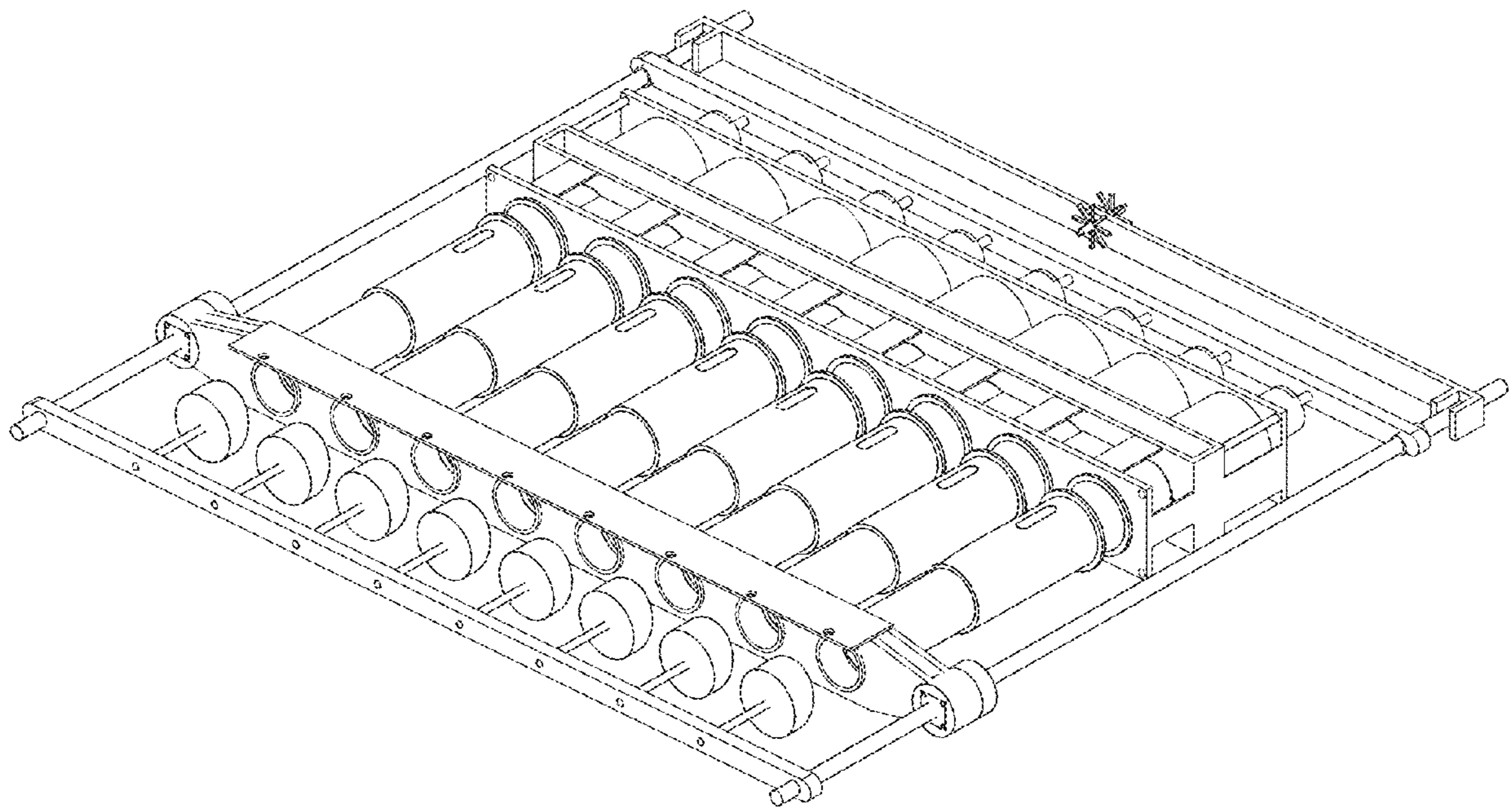
8



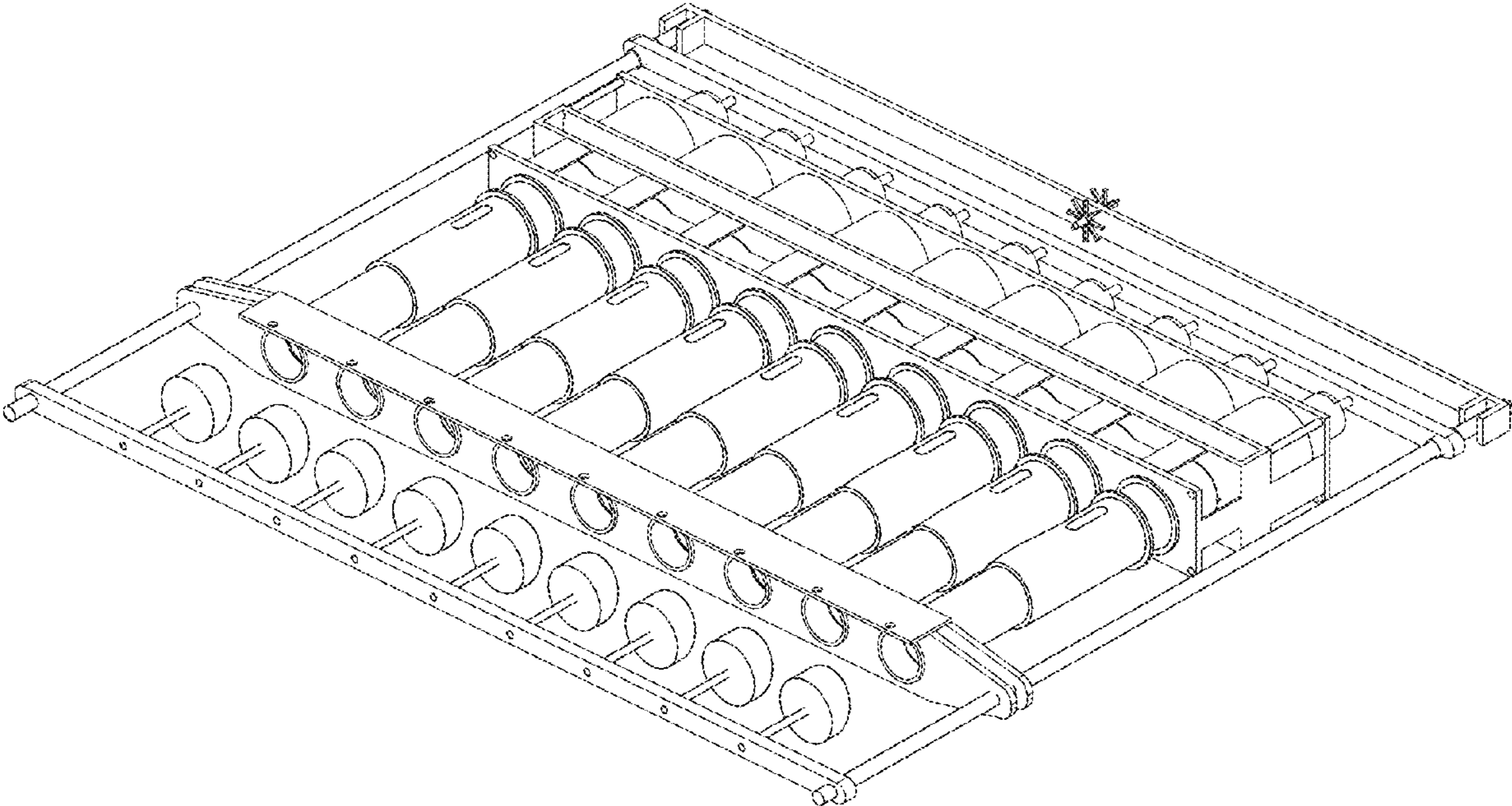
9



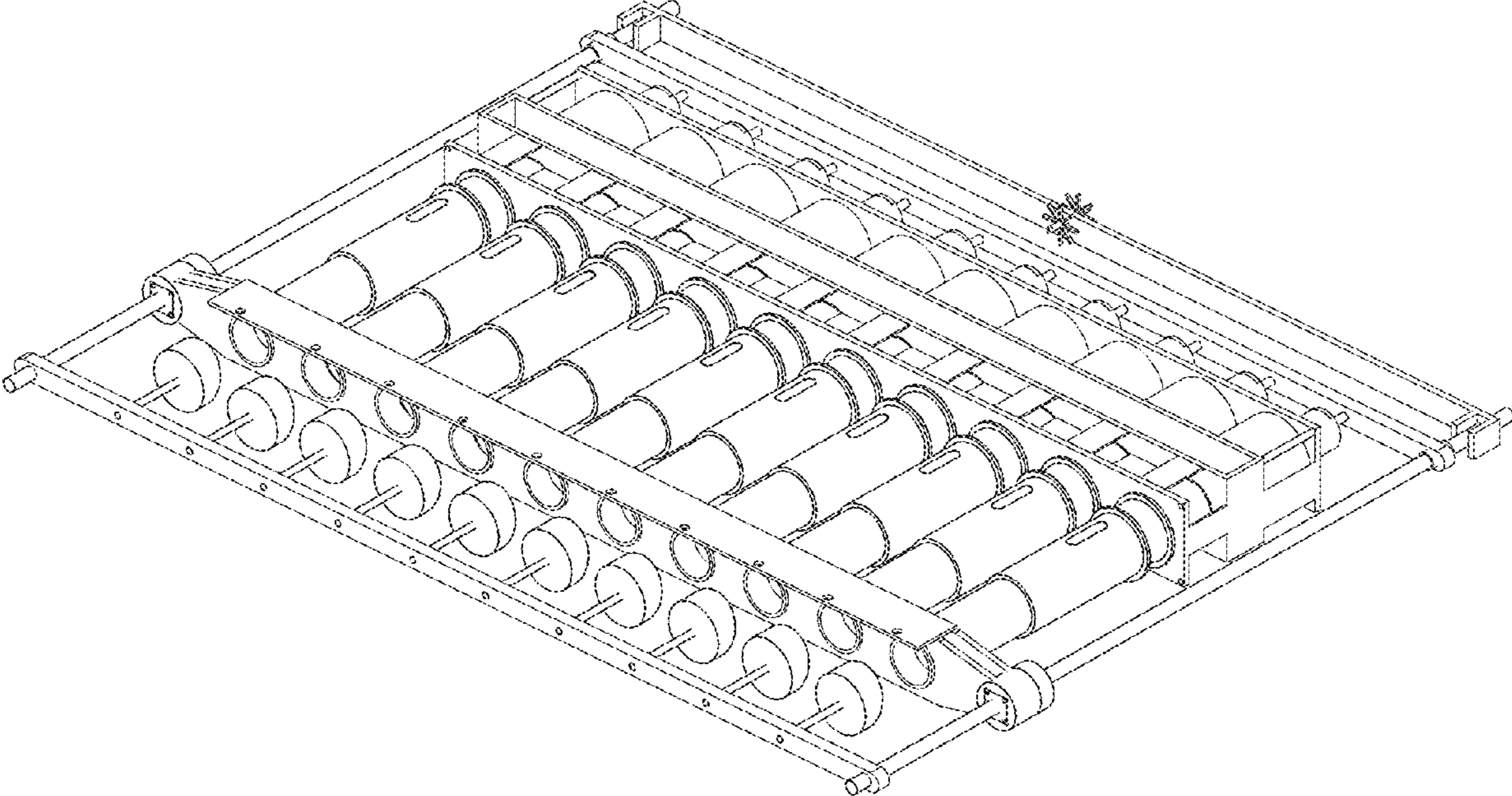
10



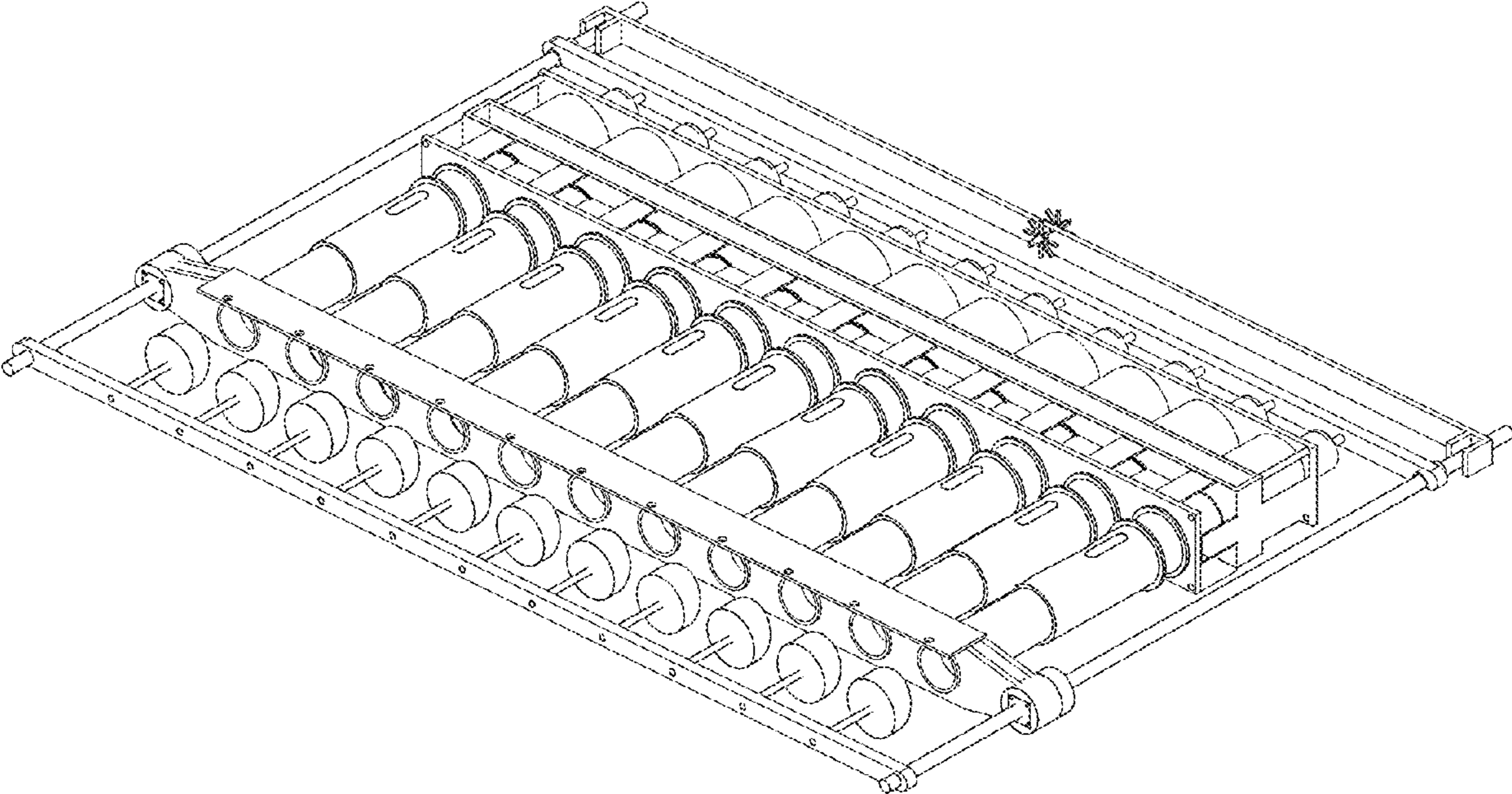
11



12



13



14

