



US00D976628S

(12) **United States Design Patent**  
**Deeb**

(10) **Patent No.:** **US D976,628 S**  
(45) **Date of Patent:** **\*\* Jan. 31, 2023**

(54) **MOKA POT**

(71) Applicant: **Hussein Deeb**, Judaida Macker (IL)

(72) Inventor: **Hussein Deeb**, Judaida Macker (IL)

(\*\*) Term: **15 Years**

(21) Appl. No.: **29/794,299**

(22) Filed: **Jun. 11, 2021**

(51) **LOC (14) Cl.** ..... **07-01**

(52) **U.S. Cl.**  
USPC ..... **D7/318**

(58) **Field of Classification Search**  
USPC ..... D7/302, 309, 310, 312, 316, 317, 318,  
D7/319, 320, 321, 322, 334, 397, 393,  
D7/399  
CPC ..... A47G 19/14; A47G 19/16; A47G 19/122;  
A47G 19/12; A47J 27/21; A47J 31/20;  
A47J 31/02; A47J 31/18; A47J 27/21008;  
A47J 27/21166; A47J 31/14; A47J  
27/2105; A47J 31/16; A47J 31/06; A47J  
37/0786; A47J 27/21091; A47J 27/14;  
A47J 27/022; A47J 31/303; A47J 45/078;  
A47J 45/067; A47J 27/21083; A47J  
27/21191; A47J 27/21175; A47J 27/212;  
A47J 31/053  
See application file for complete search history.

1,389,299 A \* 8/1921 Gardiner ..... A47J 31/0621  
99/298  
D216,370 S \* 12/1969 Leung et al. .... G01F 23/02  
D7/317  
3,715,974 A \* 2/1973 Beverett ..... A47J 31/4457  
99/493  
D281,386 S \* 11/1985 Zimmermann ..... D7/319  
D281,569 S \* 12/1985 Zimmermann ..... D7/319  
D308,460 S \* 6/1990 Balzano ..... D7/321  
D312,744 S \* 12/1990 Jorgensen ..... D7/317  
D439,791 S \* 4/2001 Vignao' ..... D7/322  
D450,522 S \* 11/2001 Chen ..... D7/319  
D482,925 S \* 12/2003 Yuen ..... D7/318  
D532,244 S \* 11/2006 Ancona ..... D7/318  
D640,085 S \* 6/2011 Appleton ..... D7/318  
D949,618 S \* 4/2022 Bodum ..... D7/319

\* cited by examiner

*Primary Examiner* — Joseph Kukella  
*Assistant Examiner* — Darryl J Dardenne  
(74) *Attorney, Agent, or Firm* — Michael P. Eddy

(57) **CLAIM**

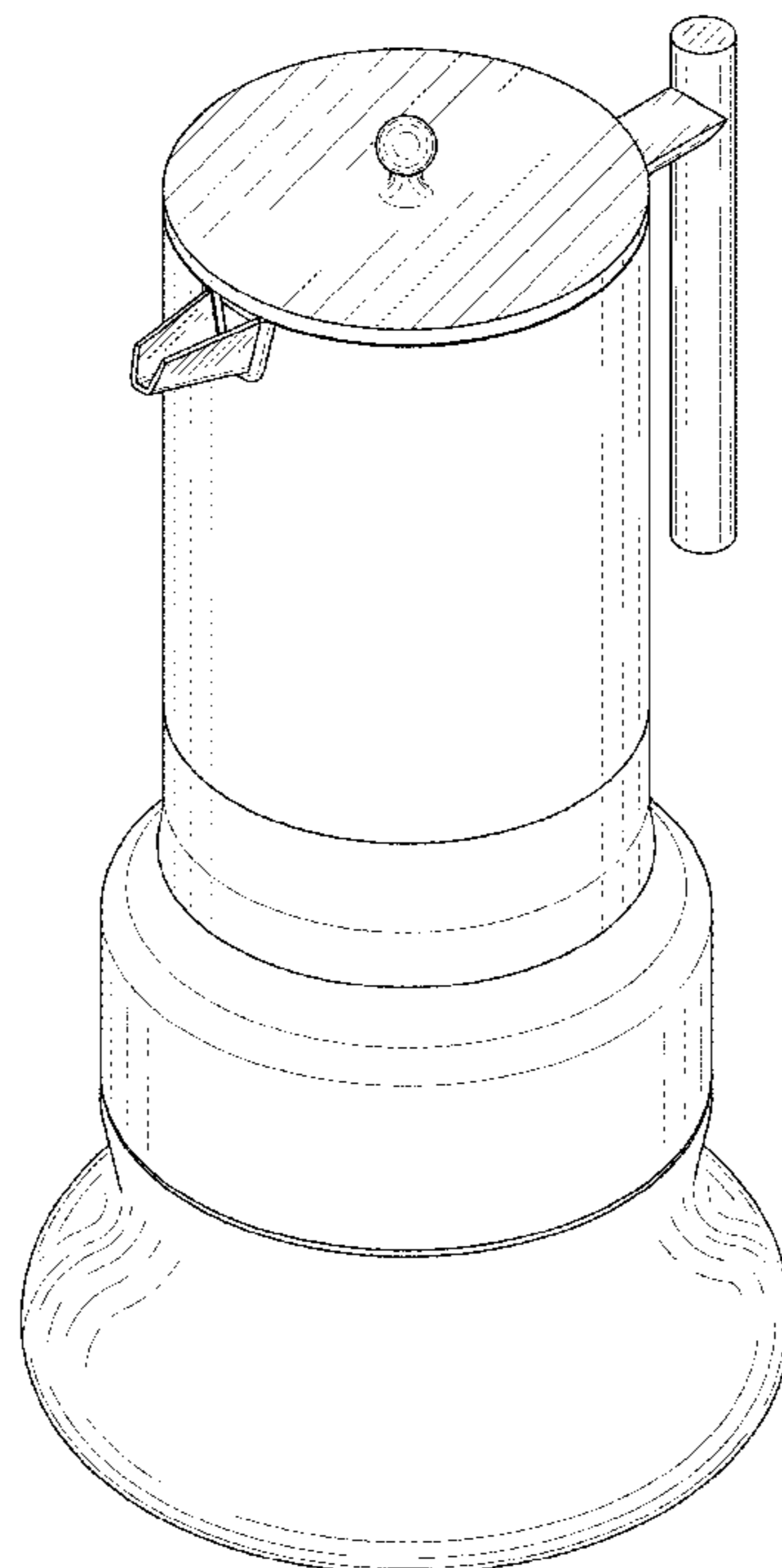
The ornamental design for a moka pot, as shown and described.

**DESCRIPTION**

FIG. 1 is the perspective view of the moka pot, as per the present disclosure.  
FIG. 2 is a front view thereof;  
FIG. 3 is a back view thereof;  
FIG. 4 is a left side view thereof;  
FIG. 5 is a Right side view thereof;  
FIG. 6 is Top view thereof; and,  
FIG. 7 is Bottom view thereof.

**1 Claim, 7 Drawing Sheets**

(56) **References Cited**  
U.S. PATENT DOCUMENTS  
745,744 A \* 12/1903 Uhalt ..... G01F 23/02  
99/285  
1,018,337 A \* 2/1912 Petry ..... A47J 31/06  
99/298



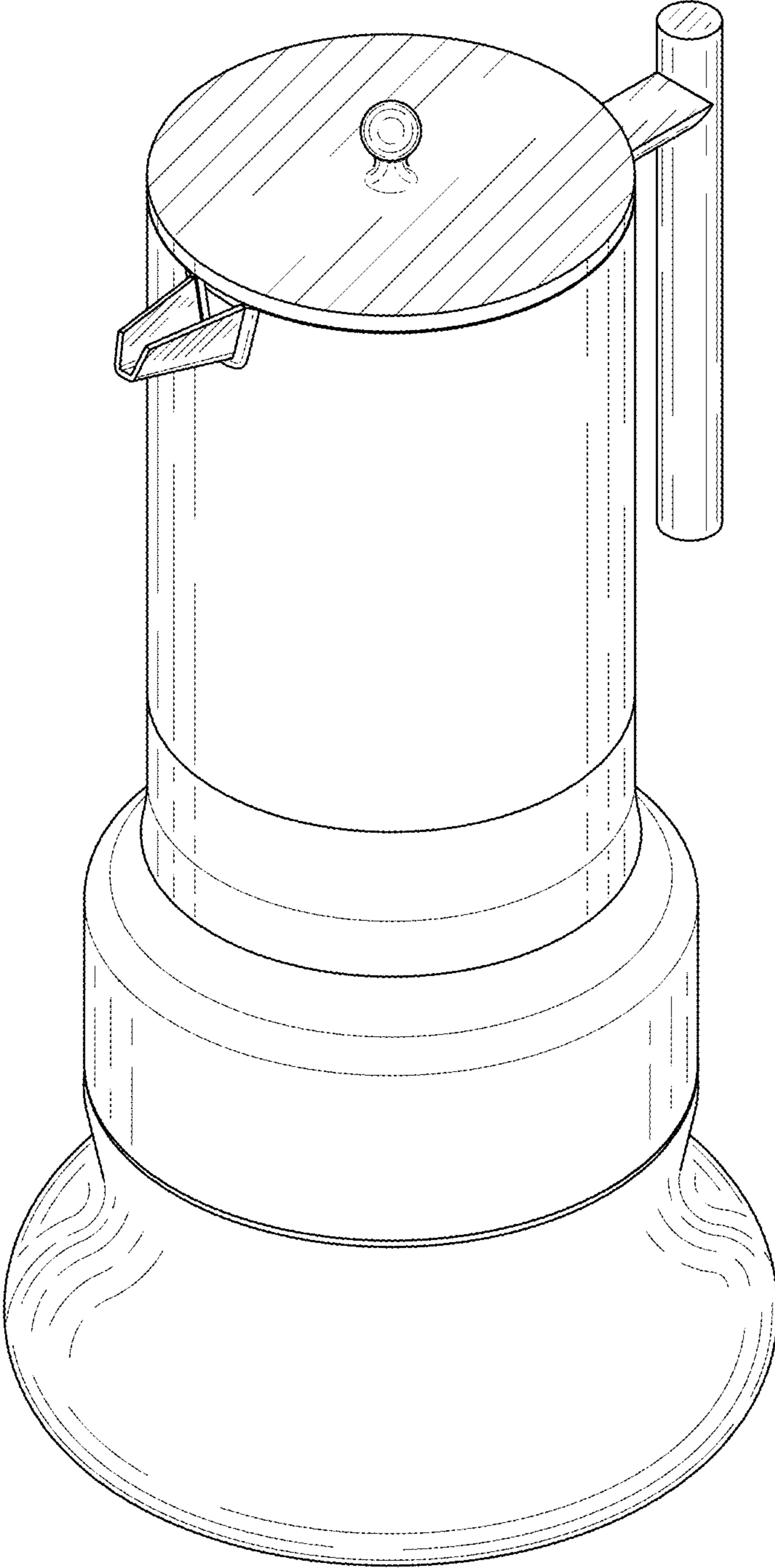


FIG. 1

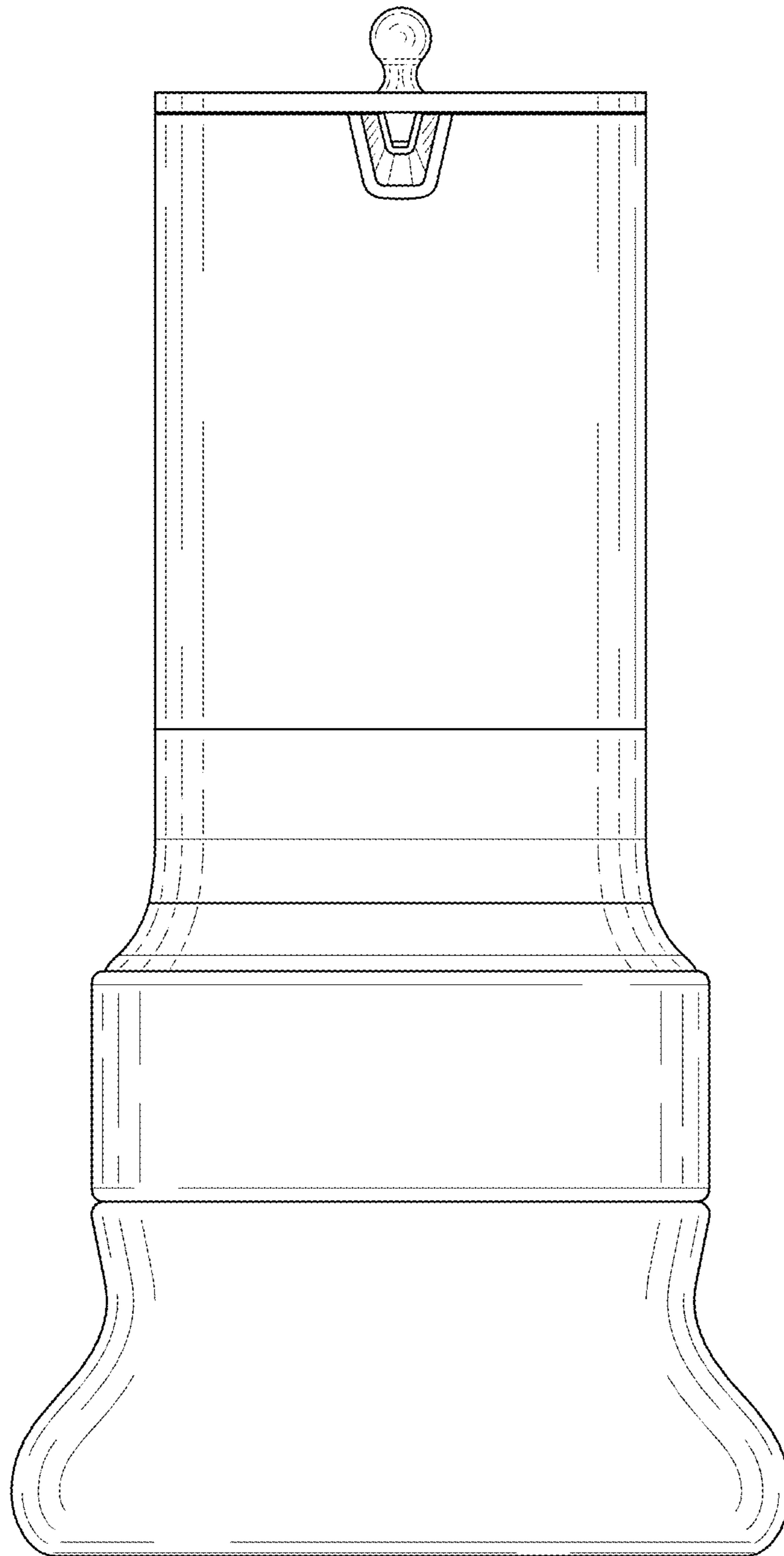


FIG. 2

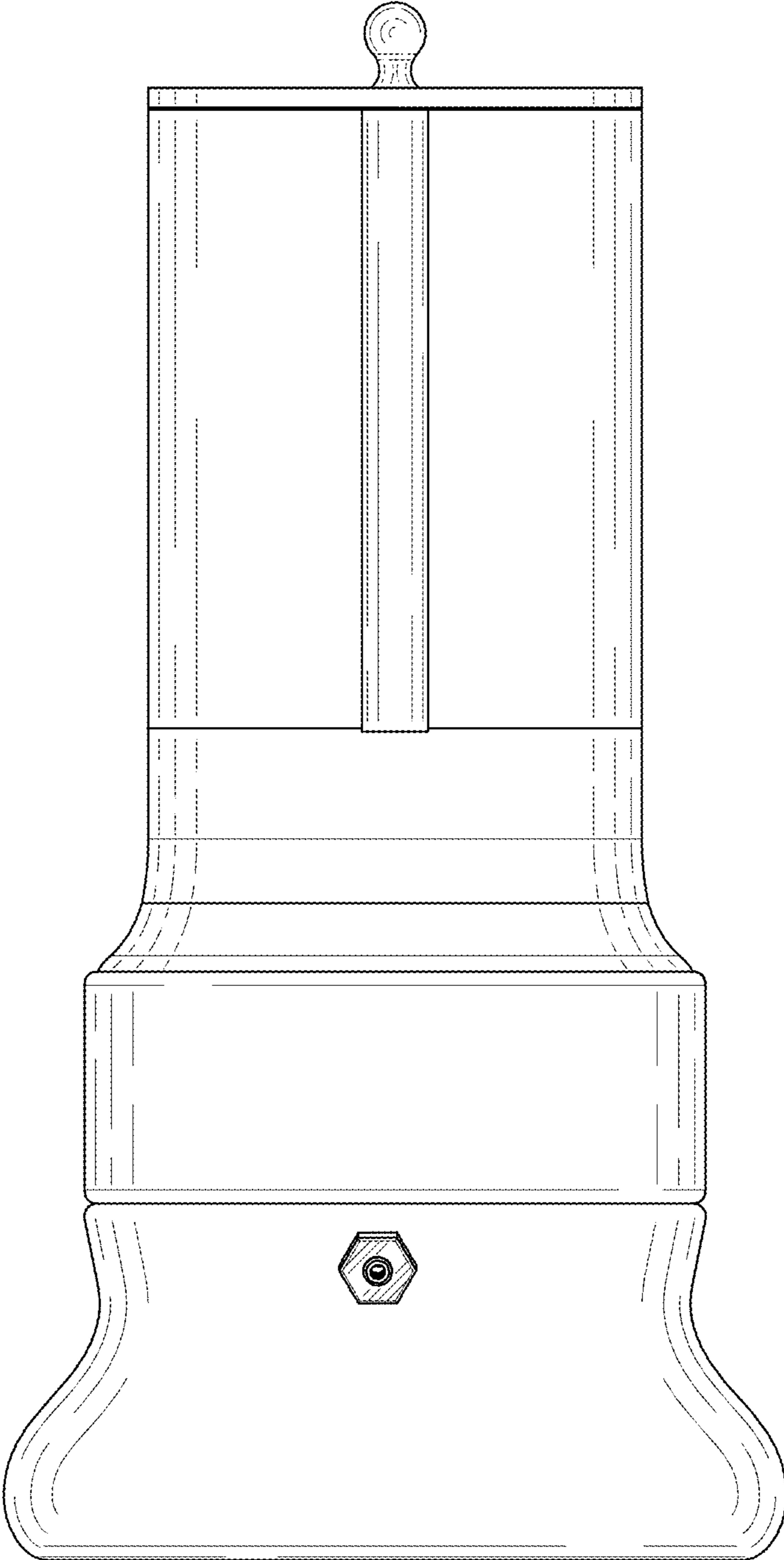


FIG. 3

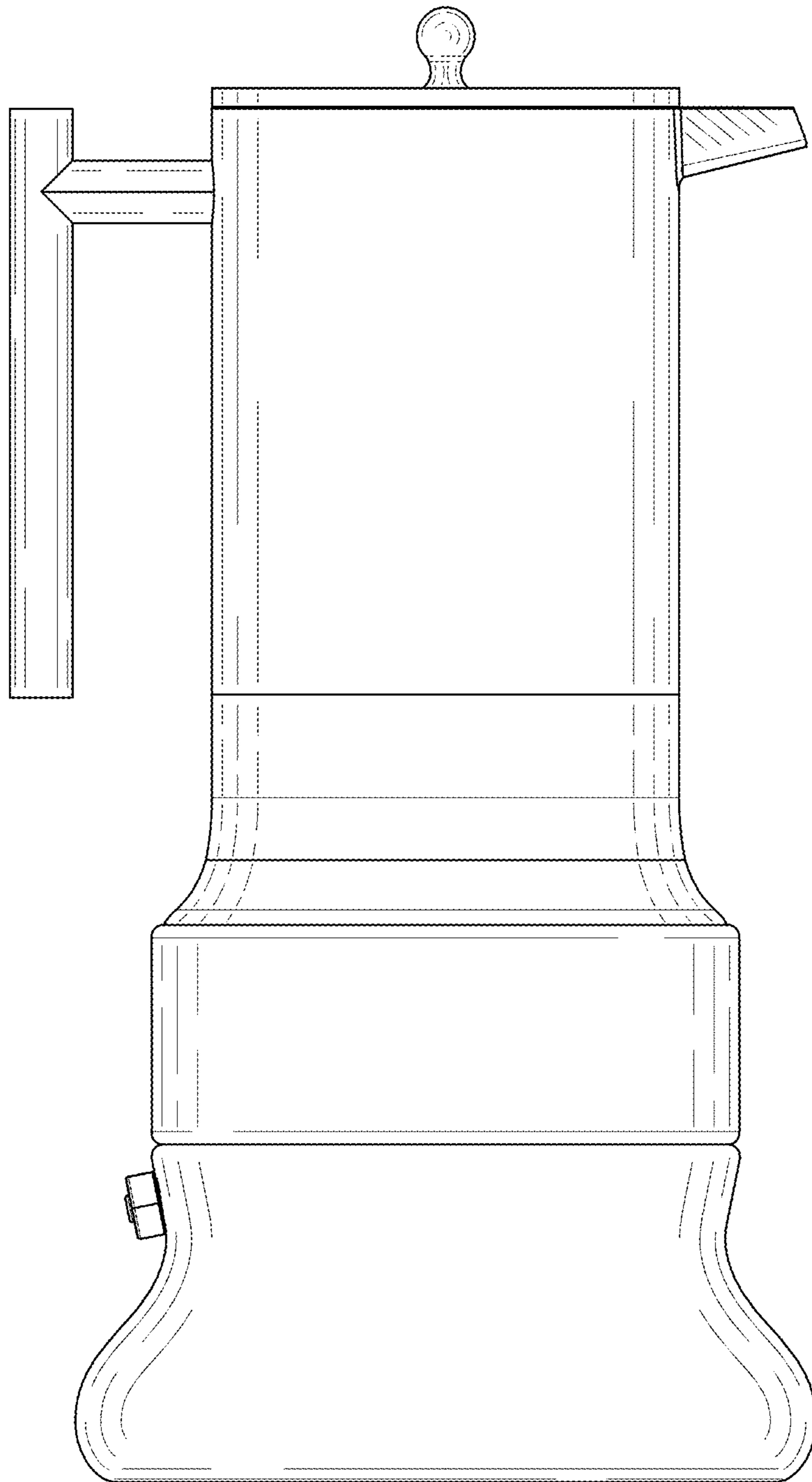


FIG. 4

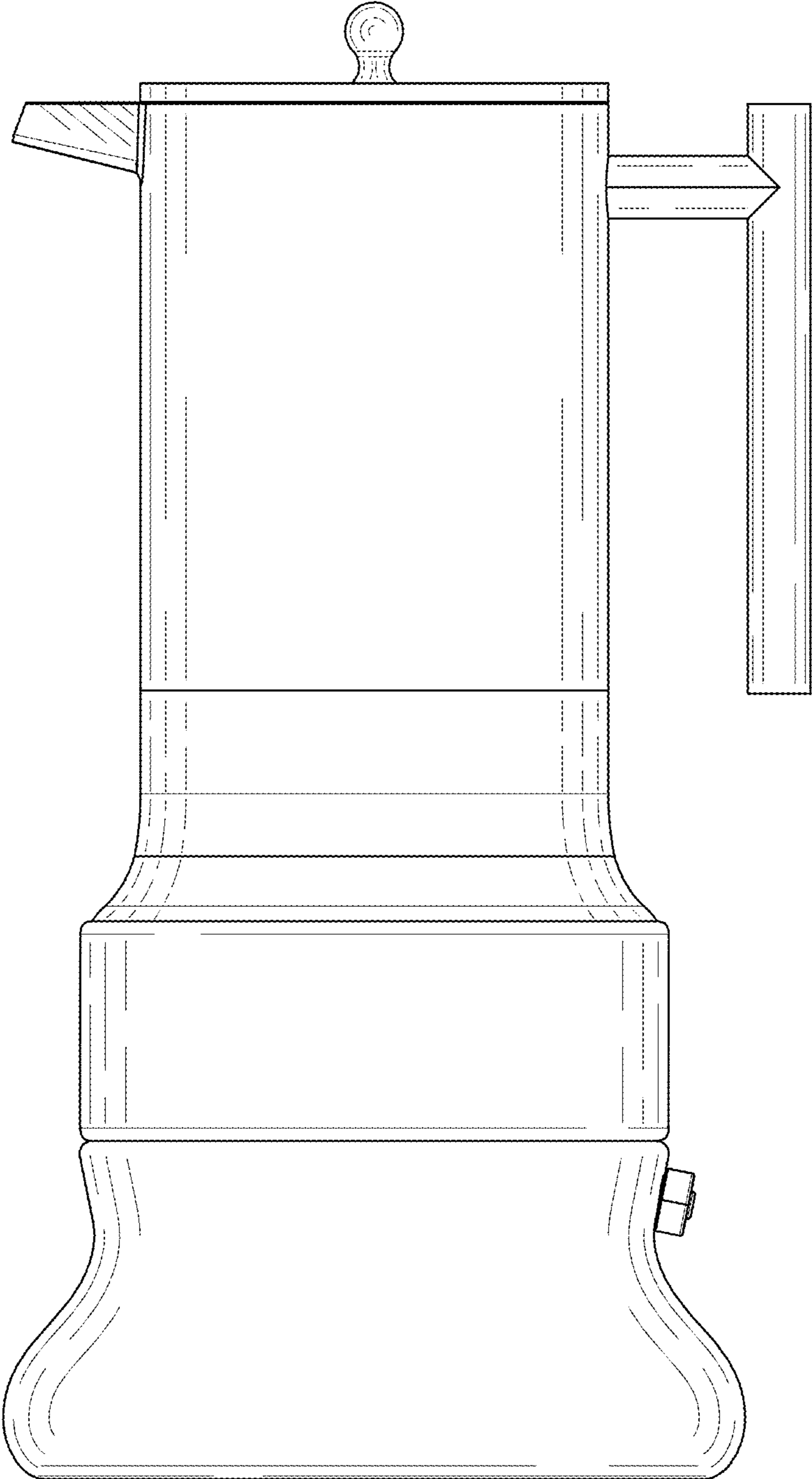


FIG. 5



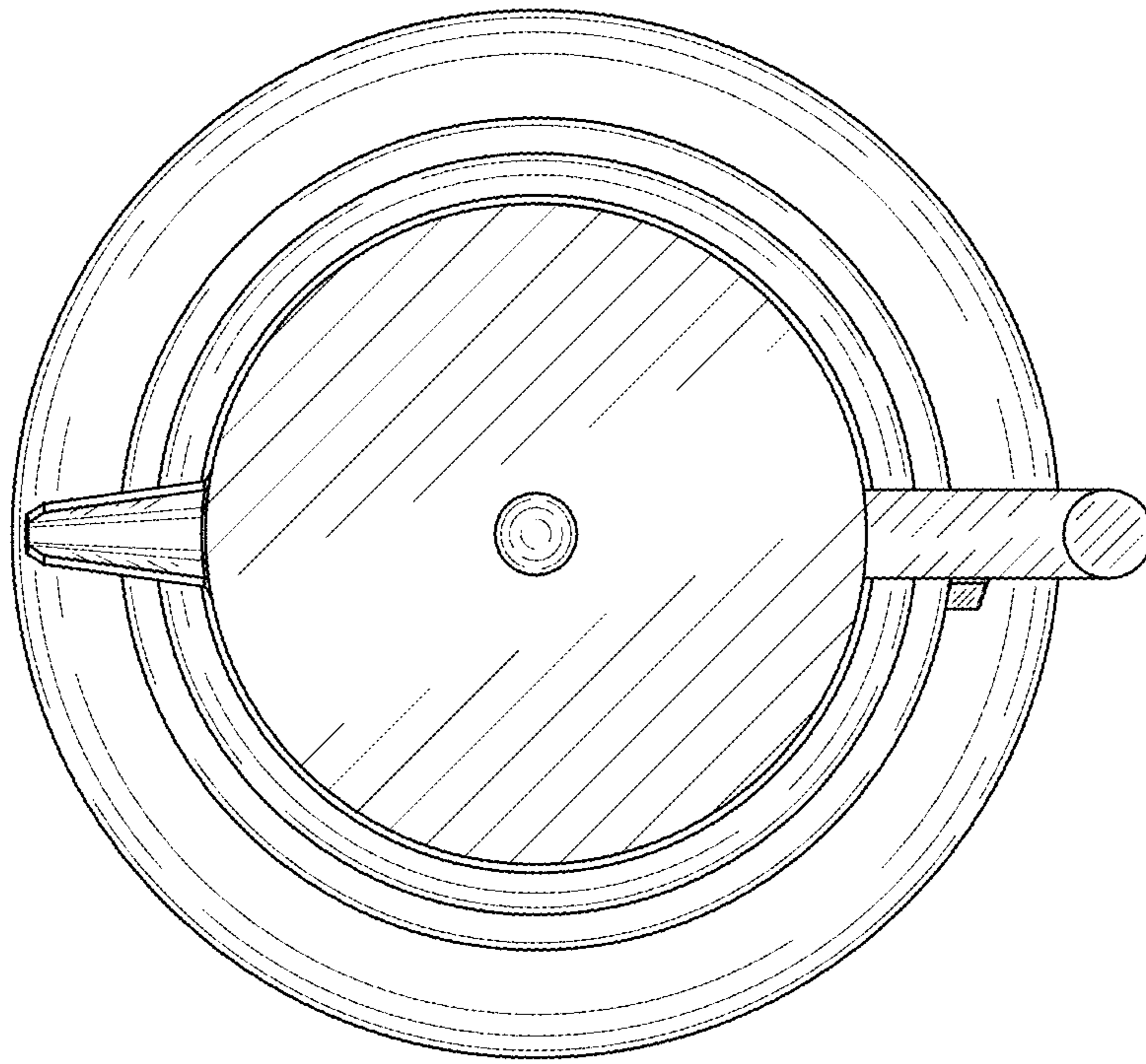


FIG. 6

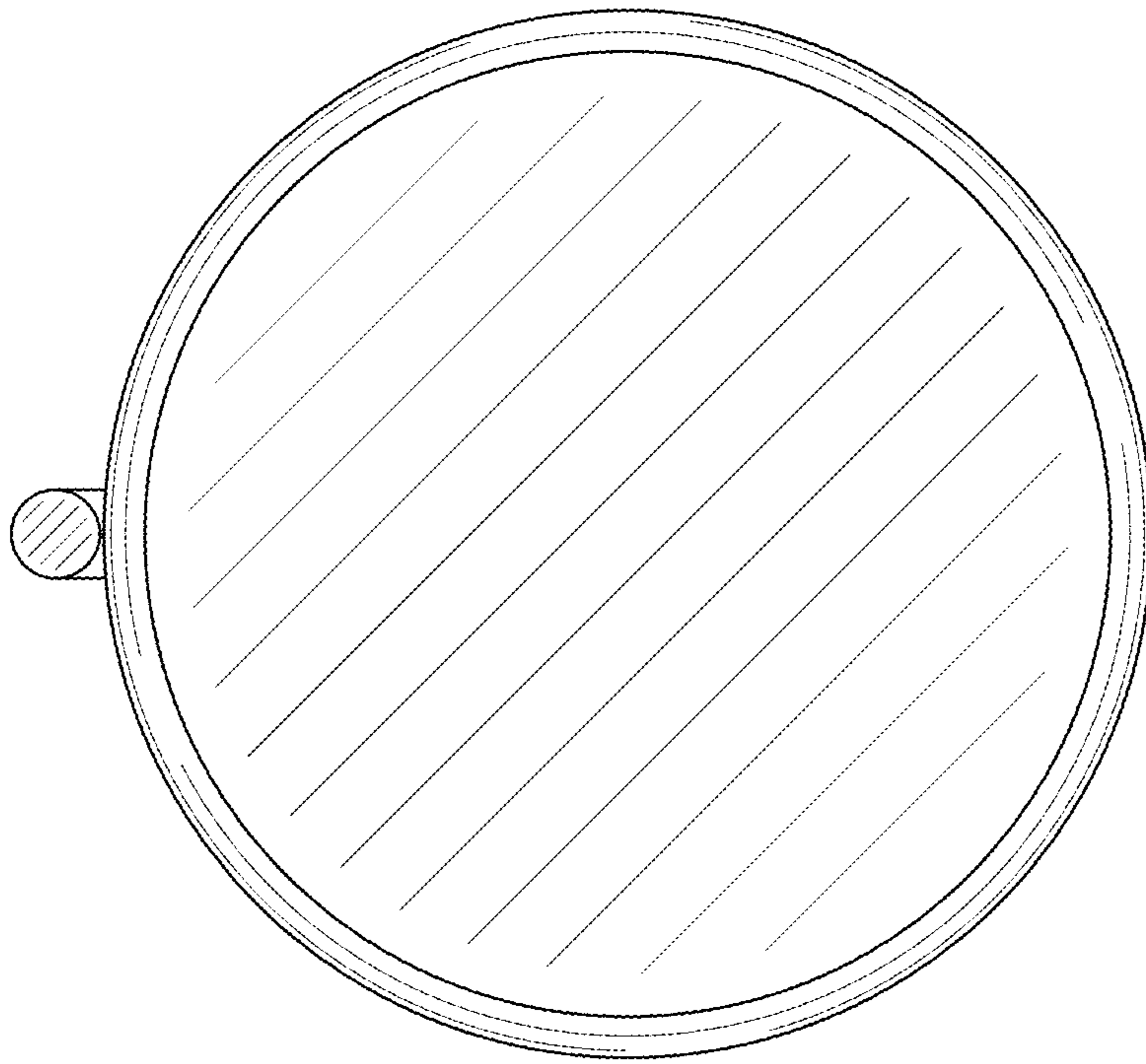


FIG. 7